

PARTS LIST

WESTERBEKE 40

Marine Diesel Engine

WESTERBEKE WPDS

Marine Diesel Generators

Publication # 13765

Edition Seven

April 1986



PARTS LIST

WESTERBEKE 40

Marine Diesel Engine

WESTERBEKE WPDS

Marine Diesel Generators

Publication # 13765

Edition Seven

April 1986



IMPORTANT

PRODUCT SOFTWARE NOTICE

Product software of all kinds, such as brochures, drawings, technical data, operator's and workshop manuals, parts lists and parts price lists, and other information, instructions and specifications provided from sources other than Westerbeke, is not within Westerbeke's control and, accordingly, is provided to Westerbeke customers only as a courtesy and service. WESTERBEKE CANNOT BE RESPONSIBLE FOR THE CONTENT OF SUCH SOFTWARE, MAKES NO WARRANTIES OR REPRESENTATIONS WITH RESPECT THERETO, INCLUDING THE ACCURACY, TIMELINESS OR COMPLETENESS THEREOF, AND WILL IN NO EVENT BE LIABLE FOR ANY TYPE OF DAMAGES OR INJURY INCURRED IN CONNECTION WITH, OR ARISING OUT OF, THE FURNISHING OR USE OF SUCH SOFTWARE.

For example, components and sub-assemblies incorporated in Westerbeke's products and supplied by others (such as engine blocks, fuel systems and components, transmissions, electrical components, pumps and other products) are generally supported by their manufacturers with their own software, and Westerbeke must depend on such software for the design of Westerbeke's own product software. Such software may be outdated and no longer accurate. Routine changes made by Westerbeke's suppliers, of which Westerbeke rarely has notice in advance, are frequently not reflected in the supplier's software until after such changes take place.

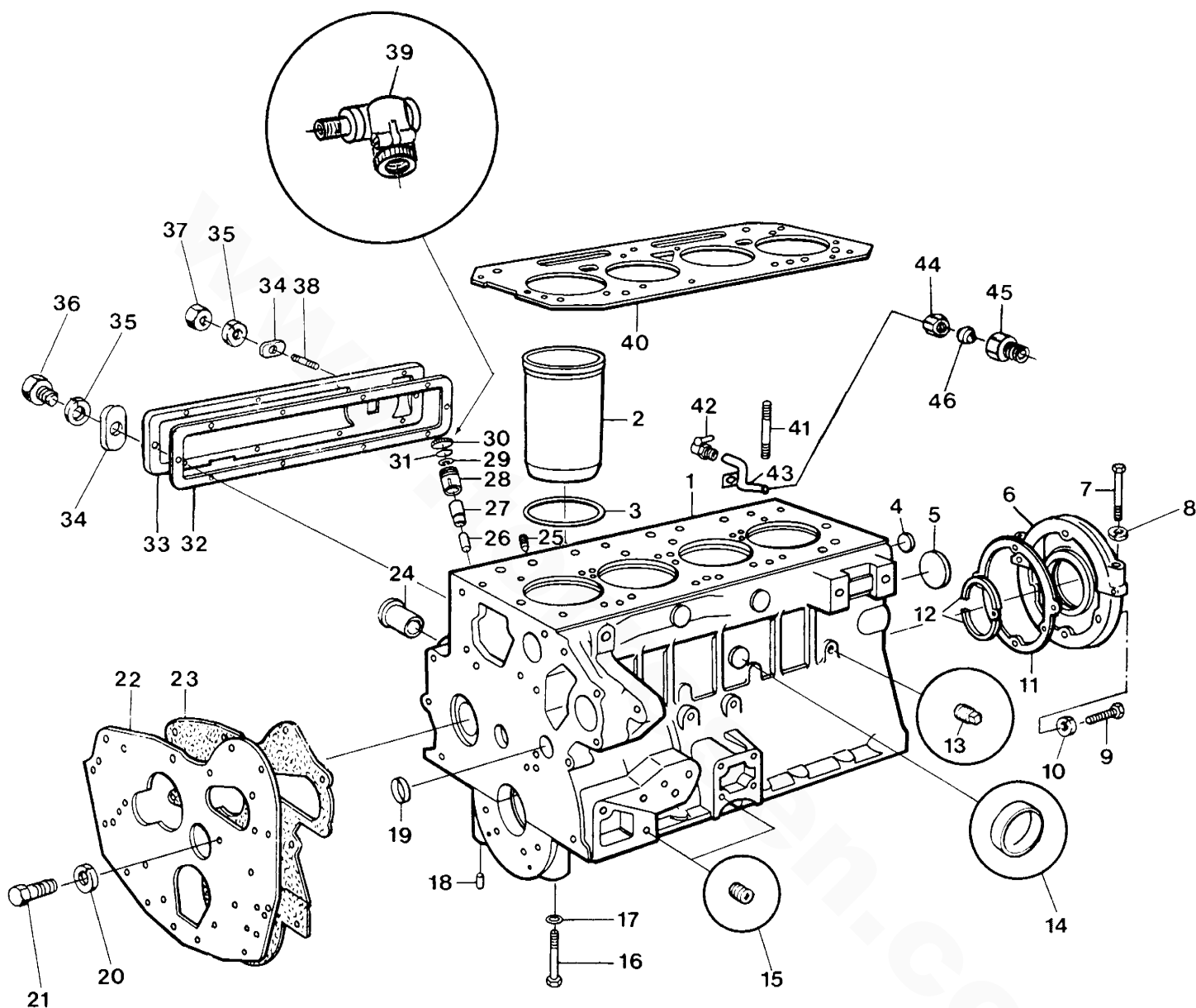
Westerbeke customers should also keep in mind the time span between printings of Westerbeke product software, and the unavoidable existence of earlier, non-current Westerbeke software editions in the field. Additionally, most Westerbeke products include customer-requested special features that frequently do not include complete documentation.

In sum, product software provided with Westerbeke products, whether from Westerbeke or other suppliers, must not and cannot be relied upon exclusively as the definitive authority on the respective product. It not only makes good sense, but is imperative that appropriate representatives of Westerbeke or the supplier in question be consulted to determine the accuracy and currency of the product software being consulted by the customer.

TABLE OF CONTENTS

| | |
|-----|---|
| 200 | WESTERBEKE 40 - CYLINDER BLOCK |
| 204 | WESTERBEKE 40 - CYLINDER HEAD & VALVES |
| 206 | WESTERBEKE 40 - CRANKSHAFT & PISTONS |
| 208 | WESTERBEKE 40 - TIMING SYSTEM & CAMSHAFT |
| 210 | WESTERBEKE 40 - ROCKER SHAFT & COVER |
| 212 | WESTERBEKE 40 - INTAKE MANIFOLD |
| 214 | WESTERBEKE 40 - LUBE OIL SUMP & PUMP |
| 216 | WESTERBEKE 40 - COOLING SYSTEM - FROM 1975 |
| 220 | WESTERBEKE 40 - COOLING SYSTEM - TO 1975 |
| 222 | WESTERBEKE 40 - EXHAUST MANIFOLD & ATTACHMENTS |
| 224 | WESTERBEKE 40 - HYDRAULIC TRANSMISSION OIL COOLER |
| 226 | WESTERBEKE 40 - SEA WATER PUMP 16423 |
| 228 | WESTERBEKE 40 - SEA WATER PUMP 11020 |
| 230 | WESTERBEKE 40 - SEA WATER PUMP 11830 - BELT DRIVEN |
| 232 | WESTERBEKE 40 - FRESH WATER PUMP |
| 234 | WESTERBEKE 40 - FUEL SYSTEM |
| 240 | WESTERBEKE 40 - COMMON BACK END |
| 242 | WESTERBEKE 40 - BACK END TO AUG 1979 |
| 244 | WESTERBEKE 40 - HBW TRANSMISSION |
| 246 | WESTERBEKE 40 - WARNER TRANSMISSION |
| 248 | WESTERBEKE 10-15KW GENERATOR BACK END TO AUG 1979 |
| 250 | WESTERBEKE 10-15KW GENERATOR BACK END FROM AUG 1979 |
| 252 | WESTERBEKE 40 - FRONT MOUNTS |
| 254 | WESTERBEKE 40 - REAR MOUNTS |
| 256 | WESTERBEKE 40 - STANDARD ALTERNATOR |
| 258 | WESTERBEKE 40 - OPTIONAL ALTERNATOR |
| 260 | WESTERBEKE 10-15KW GENERATOR FUEL SOLENOID |
| 262 | ELECTRICAL SYSTEM-MARINE ENGINE-KEYSWITCH ACTIVATION |
| 264 | ELECTRICAL SYSTEM-ACTIVATION BY FUEL PRESSURE |
| 266 | ELECTRICAL SYSTEM-ACTIVATION BY LUBE OIL PRESSURE |
| 268 | WESTERBEKE 40 - MARINE INSTRUMENT PANEL |
| 270 | GENERATOR CONTROL-MANUAL START-ROTARY SWITCH-YD SERIES |
| 272 | GENERATOR CONTROL-MANUAL START-ROTARY SWITCH-JC SERIES |
| 274 | GENERATOR CONTROL-START DISCONNECT 2 AIR SWITCH 1 TIMER |
| 276 | GENERATOR CONTROL-START DISCONNECT 2 AIR SWITCH 2 TIMER |
| 278 | GENERATOR CONTROL-START DISCONNECT ALTRN OUTPUT OR AIR SWITCH |
| 280 | GENERATOR CONTROL-START DISCONNECT BY ALTERNATOR OUTPUT |
| 282 | GENERATOR CONTROL-START DISCONNECT BY DC BATTERY CHARGER |
| 284 | GENERATOR CONTROL-START DISCONNECT BY SPEED SWITCH |
| 286 | GENERATOR CONTROL-AUXILIARY CHARGING & START WINDINGS |
| 288 | DYNAMONITOR DM-2 & DM-3 |
| 290 | WESTERBEKE 10-15KW GENERATOR - YD SERIES |
| 292 | WESTERBEKE 10-15KW GENERATOR - JC SERIES |
| 294 | LIFEBOAT ENGINE DRIVEN HYDRAULIC PUMP |
| 296 | LIFEBOAT HAND OPERATED HYDRAULIC PUMP |
| 298 | WESTERBEKE 40LB - LUB-CEL |
| 300 | WESTERBEKE 40LB - HYDRAULIC CRANKING MOTOR |
| 302 | WESTERBEKE 40LB - LIFEBOAT MISCELLANEOUS |
| 304 | WESTERBEKE 40LS - LIFESPHERE MISCELLANEOUS |
| 306 | WESTERBEKE 40 - MISCELLANEOUS |

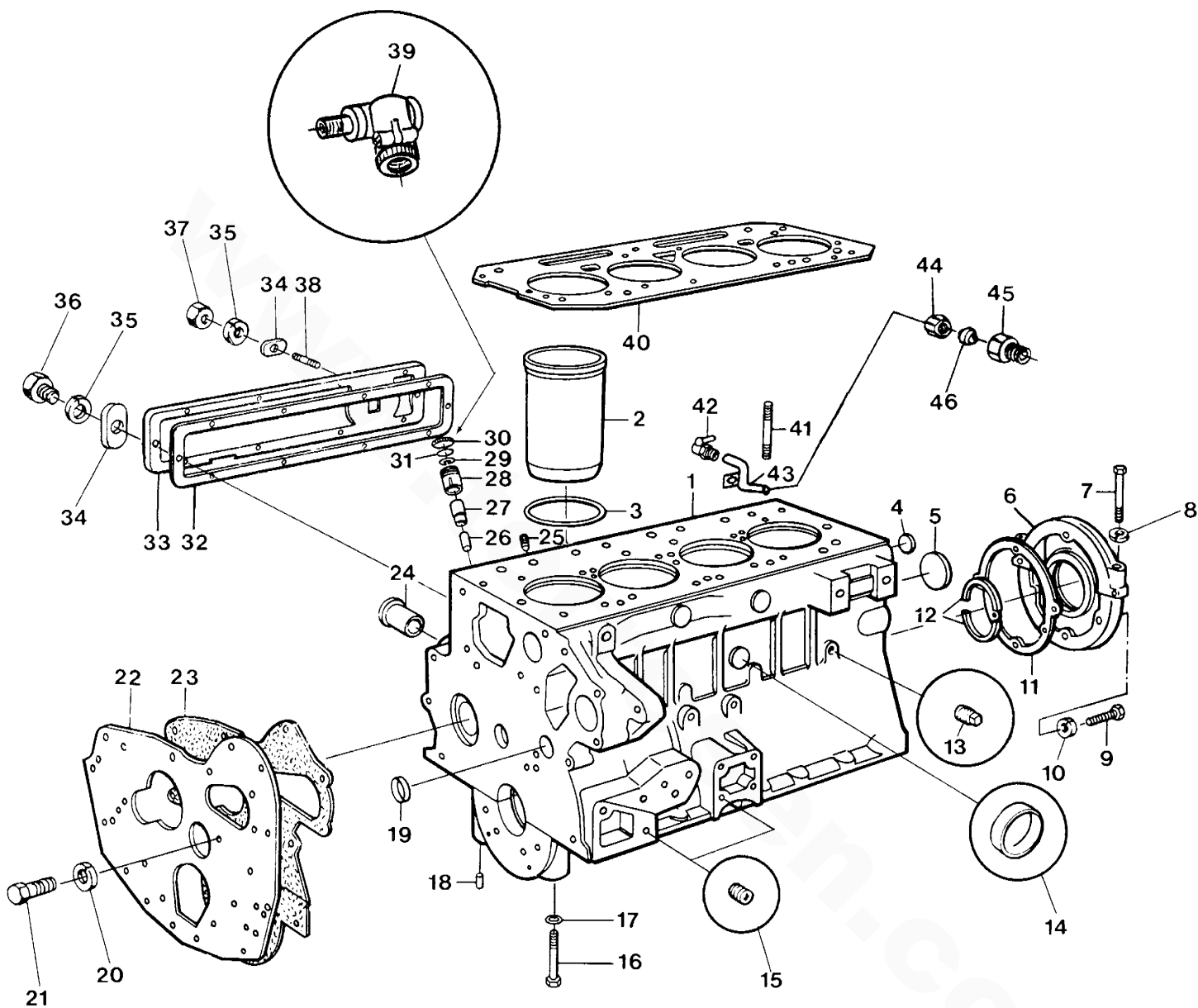
WESTERBEKE 40 - CYLINDER BLOCK



WESTERBEKE 40 - CYLINDER BLOCK

| REF | PN | NAME | REMARKS | QUAN |
|-------|-------|------------|-----------------------------|------|
| 1- 1 | 30870 | ENGINE | BLOCK & HEAD ASSEMBLY | 1 |
| 1- 2 | 11487 | ENGINE | ASSEMBLY | 1 |
| 2- 1 | 12903 | LINER | FOUR 99 TO SER 7030749 | 4 |
| 2- 2 | 12904 | LINER | FOUR 99 FROM SER 7030749 | 4 |
| 2- 3 | 12600 | LINER | S/N 107U | 4 |
| 2- 4 | 19990 | LINER | S/N 108U & ED | 4 |
| 3 | 12565 | SEAL | LINER S/N 107U | 8 |
| 4 | 12452 | PLUG | | 1 |
| 5 | 12458 | FLUG | REAR CAMSHAFT CHAMBER | 1 |
| 6 | 12334 | HOUSING | | 1 |
| 7 | 12356 | BOLT | | 2 |
| 8 | 31758 | LOCKWASHER | 5/16 | 2 |
| 9 | 12475 | CAPSCREW | 5/16NF | 6 |
| 10 | 31758 | LOCKWASHER | 5/16 | 6 |
| 11 | 12661 | GASKET | | 1 |
| 12 | 11993 | SEAL | | 2 |
| 13 | 13341 | PLUG | BLOCK DRAIN | 1 |
| 14 | 12454 | PLUG | EXPANSION S/N 108U & ED | 5 |
| 15 | 19992 | PLUG | OIL GALLERY | 2 |
| 16 | 12469 | BOLT | MAIN BEARING CAP | 6 |
| 17 | 12623 | SHIM | | 6 |
| 18 | 12380 | DOWEL | | 6 |
| 19 | 12456 | PLUG | EXPANSION FRONT & REAR | 2 |
| 20 | 31758 | LOCKWASHER | 5/16 | 4 |
| 21 | 12473 | CAPSCREW | 5/16NF X 3/4 | 4 |
| 22 | 12656 | PLATE | MOUNT TIMING COVER | 1 |
| 23 | 12406 | GASKET | | 1 |
| 24 | 12371 | CONNECTOR | FRESH WATER HOSE | 1 |
| 25 | 12464 | PLUG | ALTERNATE DIPSTICK POSITION | 1 |
| 26 | 12484 | SHAFT | TACHOMETER DRIVE | 1 |
| 27 | 14686 | BEARING | TACHOMETER DRIVE | 1 |
| 28 | 12485 | SLEEVE | TACHOMETER DRIVE | 1 |
| 29 | 12363 | SNAPRING | TACHOMETER DRIVE | 1 |
| 30- 1 | 12620 | CAP | PLASTIC | 1 |
| 30- 2 | 19994 | CAP | METAL | 1 |
| 31 | 12619 | WASHER | TACHOMETER DRIVE | 1 |
| 32 | 12666 | GASKET | SIDE COVER TO BLOCK | 1 |
| 33- 1 | 12685 | COVER | S/N 107U ALL TO 108U47977 | 1 |
| 33- 2 | 20029 | COVER | S/N 108U47978 ON & ED | 1 |
| 34 | 12652 | STIFFENER | | 10 |
| 35 | 31758 | LOCKWASHER | 5/16 | 10 |
| 36 | 12473 | CAPSCREW | 5/16NF X 3/4 | 2 |
| 37 | 31760 | NUT | 5/16NF | 8 |
| 38 | 12498 | STUD | | 8 |

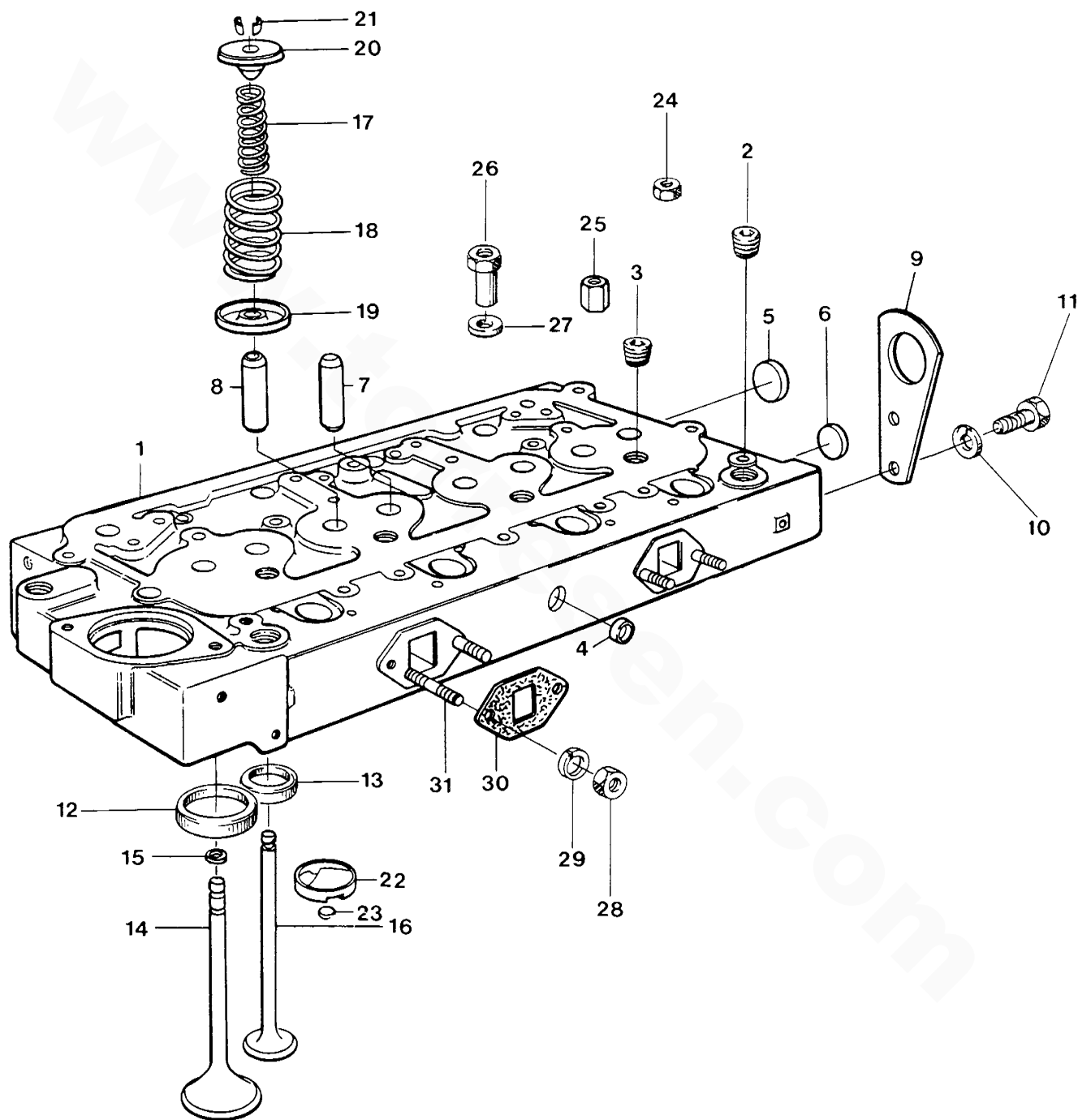
WESTERBEKE 40 - CYLINDER BLOCK



WESTERBEKE 40 - CYLINDER BLOCK

| REF | PN | NAME | REMARKS | QUAN |
|-------|-------|-----------|---------------------------|------|
| 39 | 14675 | DRIVE | TACHOMETER-RIGHT ANGLE | 1 |
| 40- 1 | 12400 | GASKET | HEAD S/N 107U | 1 |
| 40- 2 | 20020 | GASKET | HEAD S/N 108U & ED | 1 |
| 41- 1 | 14743 | STUD | SHORT TO S/N 107U7023705 | 18 |
| 41- 2 | 12615 | STUD | LONG FROM S/N 107U7023705 | 18 |
| 41- 3 | 19965 | STUD | S/N 108U & ED | 18 |
| 42- 1 | 13970 | PETCOCK | S/N 107U BLOCK DRAIN | 1 |
| 42- 2 | 13341 | PLUG | S/N 108U & ED BLOCK DRAIN | 1 |
| 43 | 14825 | LINE | WATER DRAIN S/N 107U-NLA | 1 |
| 44 | 12432 | NUT | WATER DRAIN S/N 107J | 1 |
| 45 | 12377 | CONNECTOR | WATER DRAIN S/N 107J | 1 |
| 46 | 12415 | FERRULE | WATER DRAIN S/N 107J | 1 |

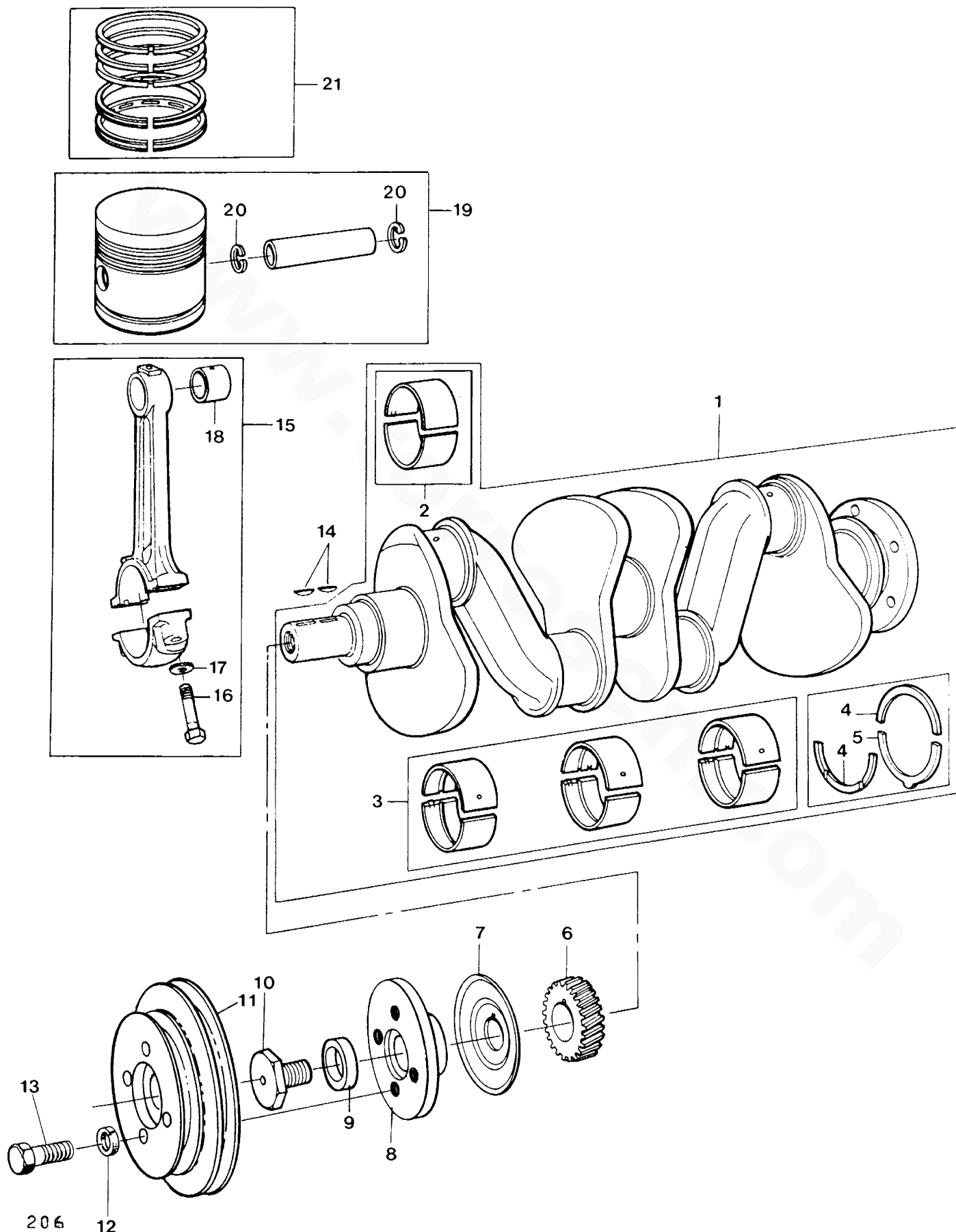
WESTERBEKE 40 - CYLINDER HEAD AND VALVES



WESTERBEKE 40 - CYLINDER HEAD AND VALVES

| REF | PN | NAME | REMARKS | QUAN |
|-------|-------|------------|---|------|
| 1- 1 | 12340 | HEAD | ASSEMBLY S/N 107U | 1 |
| 1- 2 | 19939 | HEAD | ASSEMBLY S/N 108U & ED | 1 |
| 2 | 19979 | PLUG | HEAD-TOP S/N 108U & ED | 3 |
| 3 | 23143 | PLUG | HEAD-TOP S/N 108U & ED | 4 |
| 4 | 12452 | PLUG | HEAD-SIDE | 1 |
| 5 | 12454 | PLUG | HEAD-REAR | 1 |
| 6 | 12455 | PLUG | HEAD-REAR | 1 |
| 7 | 12629 | GUIDE | INTAKE VALVE | 4 |
| 8 | 12628 | GUIDE | EXHAUST VALVE | 4 |
| 9 | 12546 | EYE | LIFTING-REAR | 1 |
| 10 | 31764 | LOCKWASHER | 3/8 | 2 |
| 11 | 31628 | CAPSCREW | 3/8NF X 3/4 | 2 |
| 12 | 19999 | SEAT | INTAKE VALVE S/N 108U & ED | 4 |
| 13 | 19997 | SEAT | EXHAUST VALVE S/N 108U & ED | 4 |
| 14- 1 | 12509 | VALVE | INTAKE-NO GROOVE-FROM S/N 107U7101102 | 4 |
| 14- 2 | 12511 | VALVE | INTAKE-O-RING GROOVE TO S/N 107U7101102 | 4 |
| 15- 1 | 12635 | DEFLECTOR | INTAKE VALVE 12509 | 8 |
| 15- 2 | 14696 | O-RING | INTAKE VALVE 12511 | 4 |
| 16 | 12510 | VALVE | EXHAUST | 4 |
| 17 | 12608 | SPRING | VALVE-INNER S/N 107U | 8 |
| 18- 1 | 12609 | SPRING | VALVE-OUTER S/N 107J | 8 |
| 18- 2 | 19960 | SPRING | VALVE S/N 108U & ED | 8 |
| 19 | 12536 | SEAT | VALVE SPRING-LOWER | 8 |
| 20 | 12360 | SEAT | VALVE SPRING-UPPER | 8 |
| 21 | 12378 | COTTER | VALVE-PAIR | 8 |
| 22 | 12682 | INSERT | COMBUSTION CHAMBER | 4 |
| 23 | 12542 | WASHER | WELSH | 4 |
| 24 | 14831 | NUT | HEAD-SHORT S/N 107U | 12 |
| 25- 1 | 12421 | NUT | HEAD-LONG S/N 107U | 6 |
| 25- 2 | 14445 | NUT | HEAD-SHORT S/N 108U & ED | 12 |
| 26 | 20005 | NUT | HEAD-LONG S/N 108U & ED | 6 |
| 27 | 14443 | WASHER | HEAD STUDS | 18 |
| 28 | 31760 | NUT | 5/16NF | 4 |
| 29 | 31759 | WASHER | FLAT 5/16 | 4 |
| 30 | 11653 | GASKET | HEAD TO EXHAUST MANIFOLD | 2 |
| 31 | 14810 | STUD | EXHAUST MANIFOLD TO HEAD | 4 |

WESTERBEKE 40 - CRANKSHAFT AND PISTONS



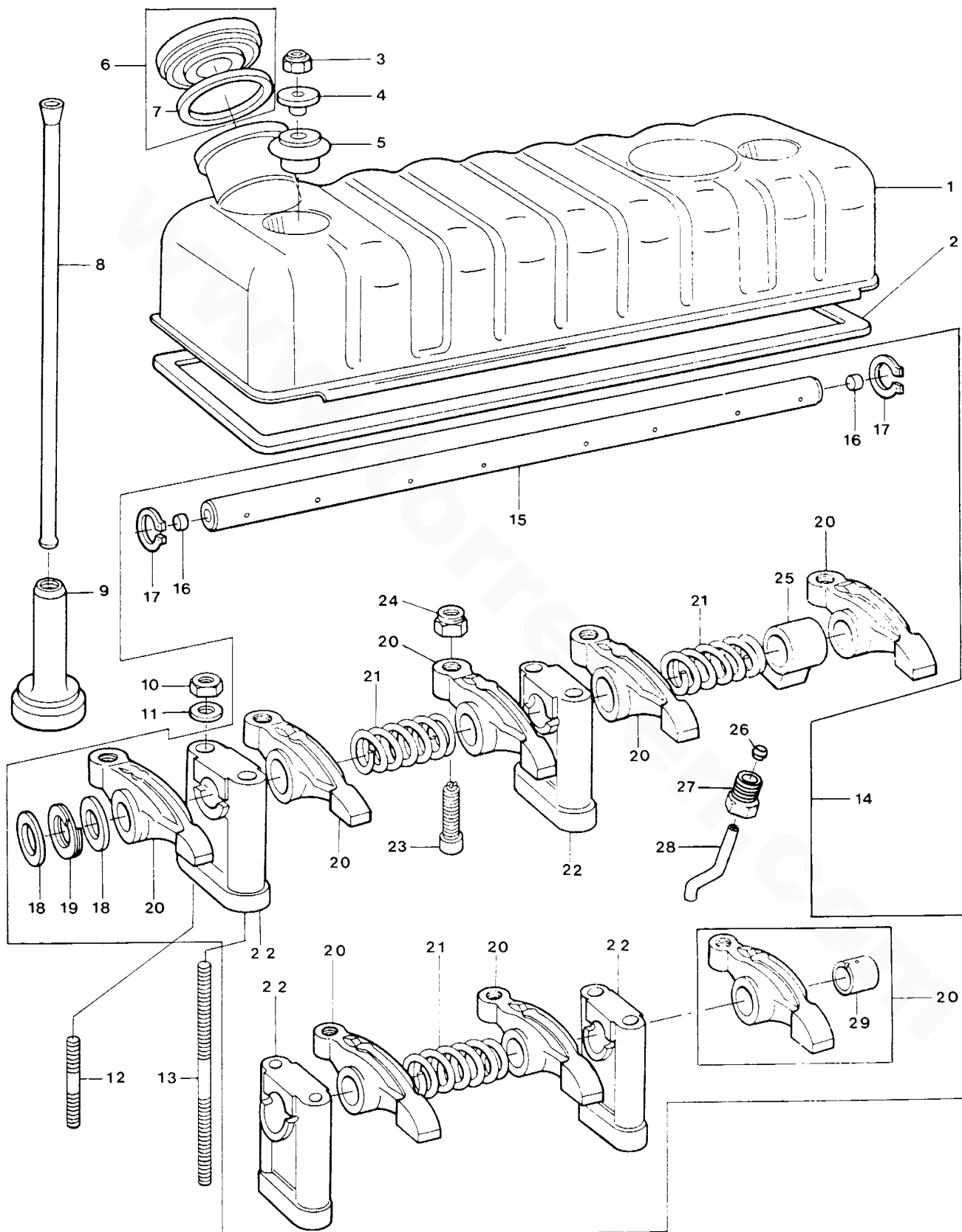
WESTERBEKE 40 - CRANKSHAFT AND PISTONS

| REF | PN | NAME | REMARKS | QUAN |
|-------|-------|------------|-----------------------------------|------|
| 1- 1 | 12341 | CRANKSHAFT | ASSEMBLY S/N 107U | 1 |
| 1- 2 | 23105 | CRANKSHAFT | ASSEMBLY S/N 108U & ED | 1 |
| 2- 1 | 12343 | BEARING | SET-CONNECTING ROD STD | 1 |
| 2- 2 | 12414 | BEARING | SET-CONNECTING ROD 0.010 | 1 |
| 2- 3 | 12423 | BEARING | SET-CONNECTING ROD 0.020 | 1 |
| 2- 4 | 12519 | BEARING | SET-CONNECTING ROD 0.030 | 1 |
| 3- 1 | 12342 | BEARING | SET-MAIN-STD | 1 |
| 3- 2 | 12349 | BEARING | SET-MAIN 0.010 | 1 |
| 3- 3 | 12370 | BEARING | SET-MAIN 0.020 | 1 |
| 3- 4 | 12373 | BEARING | SET-MAIN 0.030 | 1 |
| 4- 1 | 14707 | WASHER | THRUST-STD | 2 |
| 4- 2 | 19969 | WASHER | THRUST-0.007 | AR |
| 5- 1 | 12537 | WASHER | THRUST-STD | 1 |
| 5- 2 | 19968 | WASHER | THRUST-0.007 | AR |
| 6 | 14719 | GEAR | CRANKSHAFT | 1 |
| 7 | 12383 | SLINGER | | 1 |
| 8 | 12633 | ADAPTER | CRANKSHAFT PULLEY | 1 |
| 9 | 11857 | WASHER | CRANKSHAFT PULLEY | 1 |
| 10 | 12613 | BOLT | PULLEY RETAINING | 1 |
| 11- 1 | 12595 | PULLEY | CRANKSHAFT-STD | 1 |
| 11- 2 | 23526 | PULLEY | OPTIONAL 6 IN 6 GR | 1 |
| 11- 3 | 16356 | PULLEY | OPTIONAL 5 IN 4 GR & 4 IN 2 GR | 1 |
| 11- 4 | 12638 | PULLEY | OPTIONAL 7 IN 2 GR | 1 |
| 11- 5 | 12020 | PULLEY | ACCESSORY 5 IN 2 GR | 1 |
| 11- 6 | 12039 | PULLEY | ACCESSORY 6 IN 2 GR | 1 |
| 12 | 31752 | LOCKWASHER | 1/4 | 4 |
| 13 | | CAPSCREW | 1/4MF X 1-1/8 STD PULLEY | 4 |
| 14 | 12408 | KEY | | 2 |
| 15- 1 | 12344 | ROD | CONNECTING ASSEMBLY S/N 107U | 4 |
| 15- 2 | 19935 | ROD | CONNECTING ASSEMBLY S/N 108U & ED | 4 |
| 16 | 12348 | BOLT | CONNECTING ROD | 8 |
| 17 | 12622 | WASHER | FLAT TORQUE 36-38 FT LBS | 8 |
| 18- 1 | 12594 | BUSHING | CONNECTING ROD S/N 107U | 4 |
| 18- 2 | 19986 | BUSHING | CONNECTING ROD S/N 108U & ED | 4 |
| 19- 1 | 12899 | PISTON | ASSEMBLY 4-99 TO S/N 7034969 | 4 |
| 19- 2 | 12900 | PISTON | ASSEMBLY 4-99 FROM S/N 7034969 | 4 |
| 19- 3 | 12908 | PISTON | ASSEMBLY S/N 107U | 4 |
| 19- 4 | 24000 | KIT | PISTON-LINER S/N 107U | 4 |
| 19- 5 | 19938 | PISTON | ASSEMBLY S/N 108U & ED | 4 |
| 20- 1 | 12573 | SNAPRING | PISTON PIN S/N 107U | 8 |
| 20- 2 | 19984 | SNAPRING | PISTON PIN S/N 108U & ED | 8 |
| 21- 1 | 12738 | RING SET | NEW LINER 4-99 TO S/N 7034969 | 4 |
| 21- 2 | 12819 | RING SET | NEW LINER 4-99 FROM S/N 7034969 | 4 |
| 21- 3 | 12958 | RING SET | WORN LINER 4-99 FROM S/N 7007685 | 4 |
| 21- 4 | 12905 | RING SET | NEW LINER S/N 107U | 4 |
| 21- 5 | 12906 | RING SET | WORN LINER S/N 107U | 4 |
| 21- 6 | 19937 | RING SET | STD S/N 108U & ED | 4 |

WESTERBEKE 40 - TIMING SYSTEM AND CAMSHAFT

| REF | PN | NAME | REMARKS | QUAN |
|-----|-------|------------|------------------------|------|
| 1 | 12605 | CAMSHAFT | | 1 |
| 2 | 12460 | PUSHROD | FUEL LIFT PUMP | 1 |
| 3 | 12654 | PLATE | THRUST-CAMSHAFT | 2 |
| 4 | 12440 | DOWEL | | 1 |
| 5 | 12597 | GEAR | CAMSHAFT | 1 |
| 6 | 12625 | PLATE | | 1 |
| 7 | 31758 | LOCKWASHER | 5/16 | 3 |
| 8 | 12474 | CAPSCREW | 5/16NF X 7/8 | 3 |
| 9 | 12481 | CAPSCREW | IDLER GEAR | 2 |
| 10 | 12541 | TABWASHER | | 1 |
| 11 | 12551 | FLATE | IDLER GEAR | 1 |
| 12 | 12689 | GEAR | IDLER WITH BUSHING | 1 |
| 13 | 14685 | BUSHING | FOR IDLER GEAR | 1 |
| 14 | 12388 | HUB | IDLER GEAR | 1 |
| 15 | 12658 | GASKET | TIMING COVER | 1 |
| 16 | 12652 | STIFFENER | | 8 |
| 17 | 31758 | LOCKWASHER | 5/16 | 10 |
| 18 | 12474 | CAPSCREW | 5/16NF X 7/8 | 9 |
| 19 | 12493 | STUD | | 1 |
| 20 | 31760 | NUT | 5/16NF | 1 |
| 21 | 12466 | SEAL | TIMING COVER | 1 |
| 22 | 12678 | COVER | TIMING | 1 |
| 23 | 31760 | NUT | 5/16NF | 4 |
| 24 | 31758 | LOCKWASHER | 5/16 | 4 |
| 25 | 12471 | CAPSCREW | 1/4NF X 5/8 | 4 |
| 26 | 13536 | STIFFENER | | 3 |
| 27 | 31752 | LOCKWASHER | 1/4 | 4 |
| 28 | 31754 | NUT | 1/4NF | 4 |
| 29 | 12636 | GASKET | PLATE TO TIMING COVER | 1 |
| 30 | 12500 | STUD | SEA WATER PUMP MOUNT | 4 |
| 31 | 12626 | PLATE | SUPPORT SEA WATER PUMP | 1 |

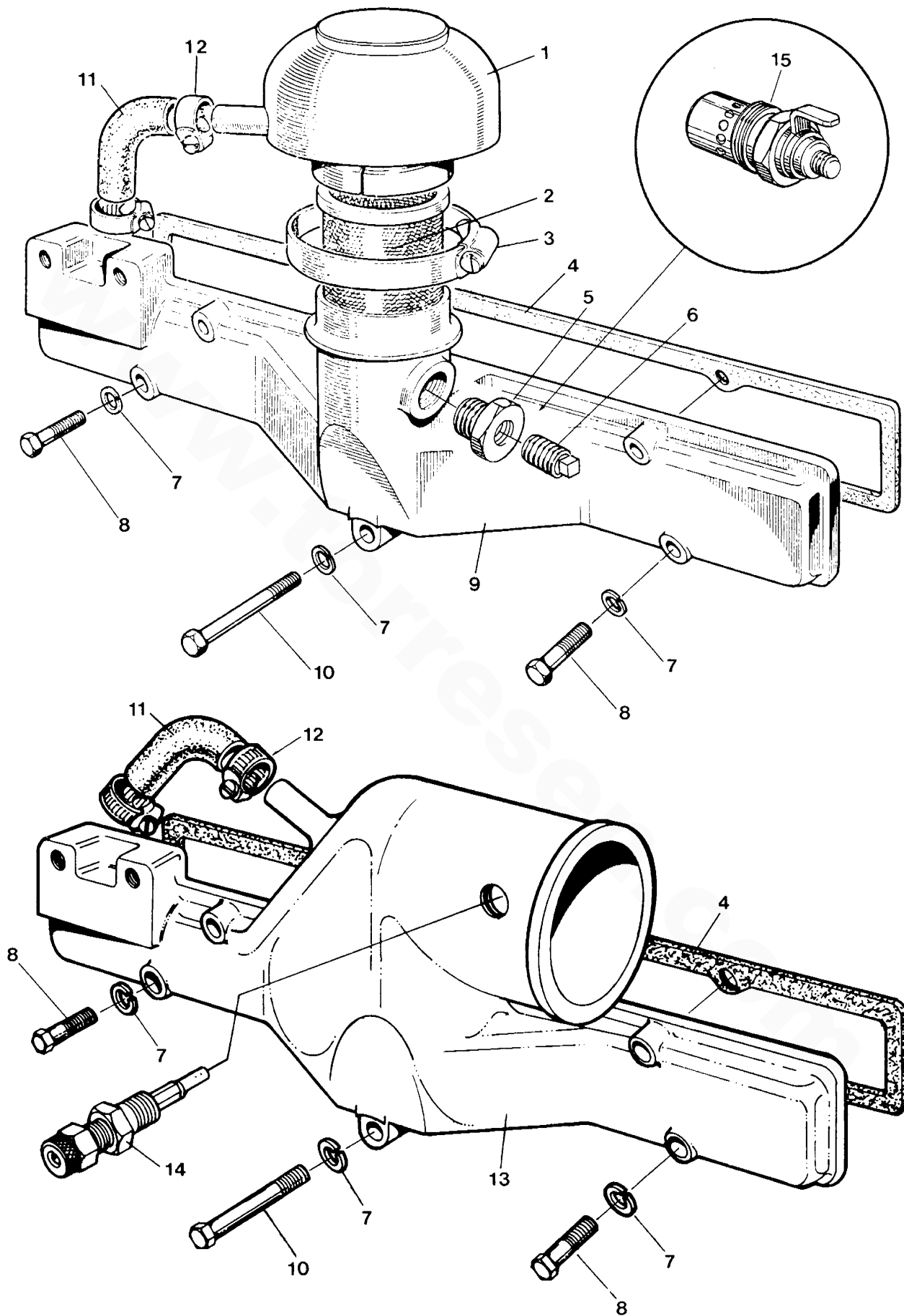
WESTERBEKE 40 - ROCKER SHAFT AND COVER



WESTERBEKE 40 - ROCKER SHAFT AND COVER

| REF | PN | NAME | REMARKS | QUAN |
|------|-------|-----------|------------------------------------|------|
| 1 | 12581 | COVER | ROCKER | 1 |
| 2 | 12404 | GASKET | ROCKER COVER | 1 |
| 3 | 12429 | NUT | | 2 |
| 4 | 12535 | WASHER | | 2 |
| 5 | 12467 | SEAL | | 2 |
| 6- 1 | 14709 | CAP ASSY | SMALL 1-3/4 DIA TO S/N 107U7106766 | 1 |
| 6- 2 | 12567 | CAP ASSY | LARGE 2-3/8 DIA | 1 |
| 7- 1 | 14713 | GASKET | CAP 14709 | 1 |
| 7- 2 | 32184 | GASKET | CAP 15567 | 1 |
| 8 | 12607 | PUSHROD | | 8 |
| 9 | 12606 | TAPPET | | 8 |
| 10 | 12434 | NUT | LOCKING | 8 |
| 11 | 31759 | WASHER | FLAT 5/16 | 8 |
| 12 | 12499 | STUD | SHORT 3-5/8 IN | 6 |
| 13 | 12494 | STUD | LONG 4-1/2 IN | 2 |
| 14 | 12336 | SHAFT | COMPLETE ASSEMBLY | 1 |
| 15 | 12335 | SHAFT | ROCKER WITH PLUGS | 1 |
| 16 | 12446 | PLUG | | 2 |
| 17 | 12362 | SNAPRING | | 2 |
| 18 | 12525 | WASHER | | 4 |
| 19 | 12539 | WASHER | | 2 |
| 20 | 12333 | ROCKER | WITH BUSHING | 8 |
| 21 | 12488 | SPRING | | 3 |
| 22 | 12358 | BRACKET | | 4 |
| 23 | 12462 | SCREW | ROCKER ADJUSTING | 8 |
| 24 | 12433 | NUT | | 8 |
| 25 | 12372 | CONNECTOR | OIL FEED TO ROCKER SHAFT | 1 |
| 26 | 12413 | FERRULE | | 2 |
| 27 | 12419 | NUT | | 2 |
| 28 | 12637 | LINE | HEAD TO ROCKER SHAFT | 1 |
| 29 | 12331 | BUSHING | ROCKER | 8 |

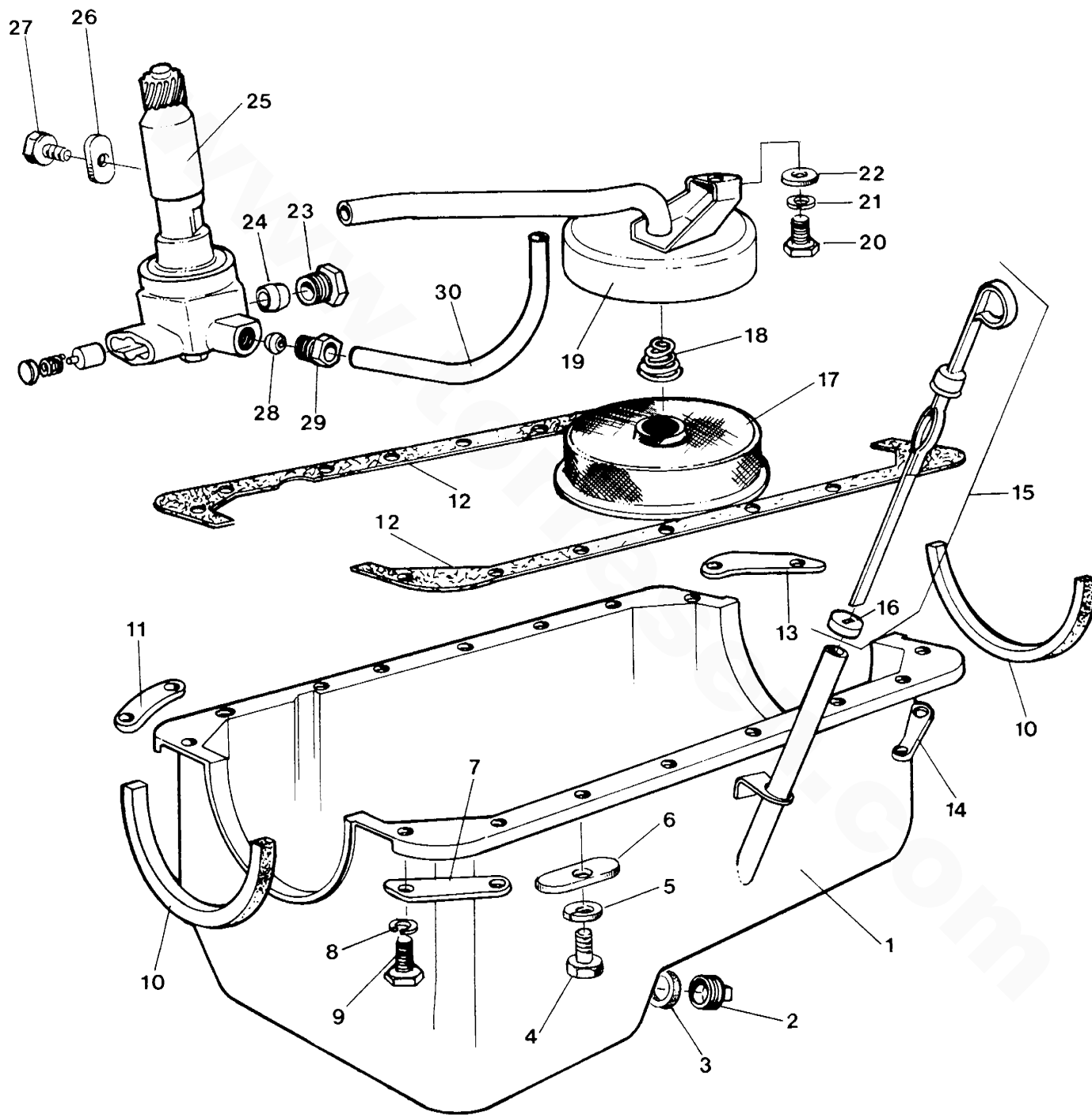
WESTERBEKE 40 - INTAKE MANIFOLD



WESTERBEKE 40 - INTAKE MANIFOLD

| REF | PN | NAME | REMARKS | QUAN |
|------|-------|------------|----------------------------|------|
| 1 | 12683 | COVER | AIR INTAKE | 1 |
| 2 | 12556 | FILTER | AIR INTAKE | 1 |
| 3 | 11411 | CLAMP | HOSE 32 | 1 |
| 4 | 20021 | GASKET | INTAKE MANIFOLD TO HEAD | 1 |
| 5- 1 | 22841 | ADAPTER | MANIFOLD TO 7/8UNF | 1 |
| 5- 2 | 24881 | PLUG | 7/8UNF | 1 |
| 5- 3 | 13392 | BUSHING | 7/8UNF TO 1/8NPT | 1 |
| 6- 1 | 11688 | START AID | ETHER TYPE-WB | 1 |
| 6- 2 | 11615 | PLUG | 1/8NPT | 1 |
| 7 | 31758 | LOCKWASHER | 5/16 | 7 |
| 8- 1 | 31582 | CAPSCREW | 5/16NF X 1-1/2 | 4 |
| 8- 2 | 31581 | CAPSCREW | 5/16NF X 1-1/4 | 2 |
| 9- 1 | 12688 | MANIFOLD | AIR INTAKE | 1 |
| 9- 2 | 19382 | MANIFOLD | AIR INTAKE-ACCEPTS LUB-CEL | 1 |
| 10 | 31588 | CAPSCREW | 5/16NF X 3 | 1 |
| 11 | 12639 | ELBOW | BREATHER | 1 |
| 12 | 11341 | CLAMP | HOSE 8 | 2 |
| 13 | 14115 | MANIFOLD | AIR INTAKE-LOW PROFILE-NLA | 1 |
| 14 | 14101 | START AID | ETHER TYPE-LS | 1 |
| 15 | 11530 | HEATER | MANIFOLD 12 VDC | 1 |

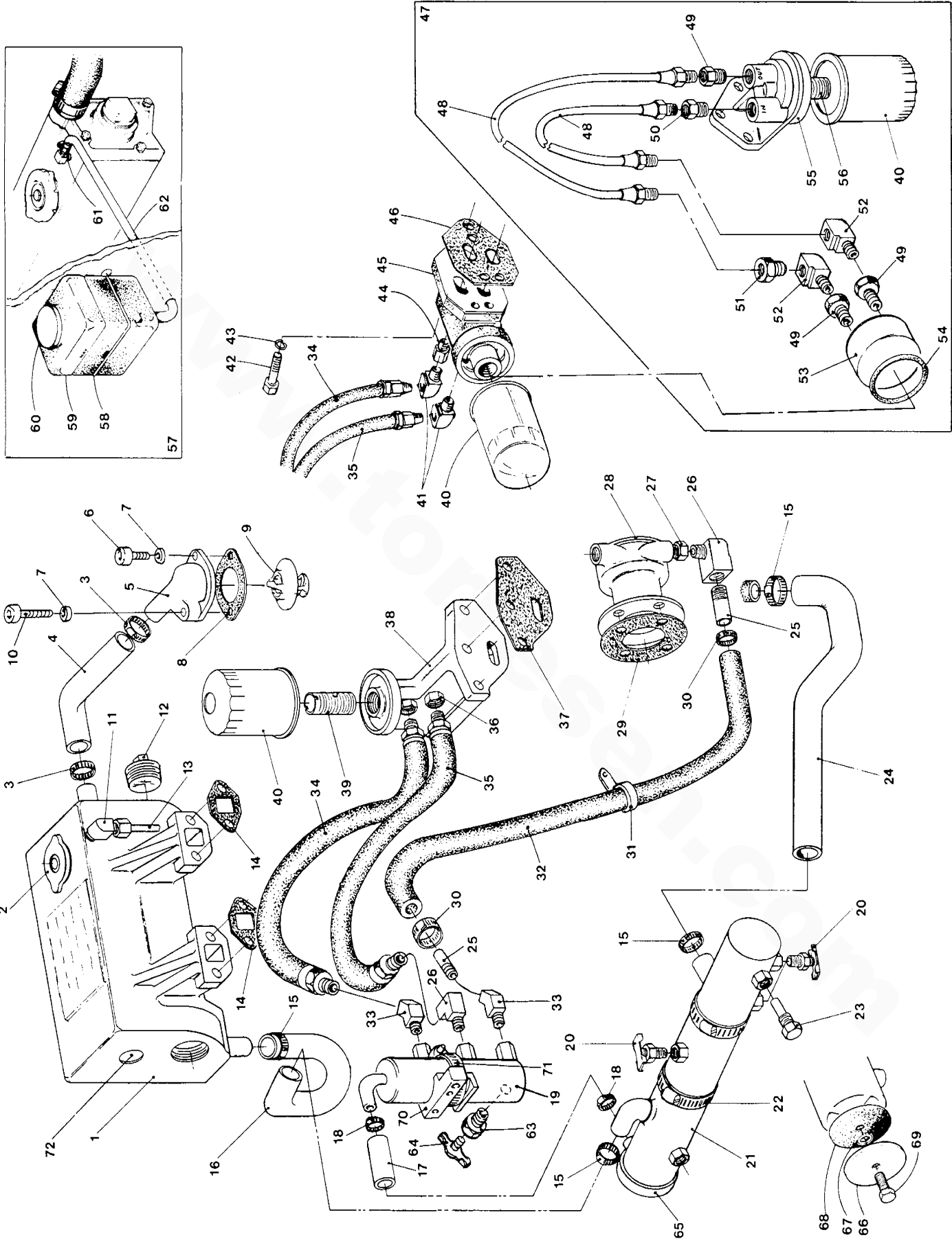
WESTERBEKE 40 - LUBE OIL SUMP AND PUMP



WESTERBEKE 40 - LUBE OIL SUMP AND PUMP

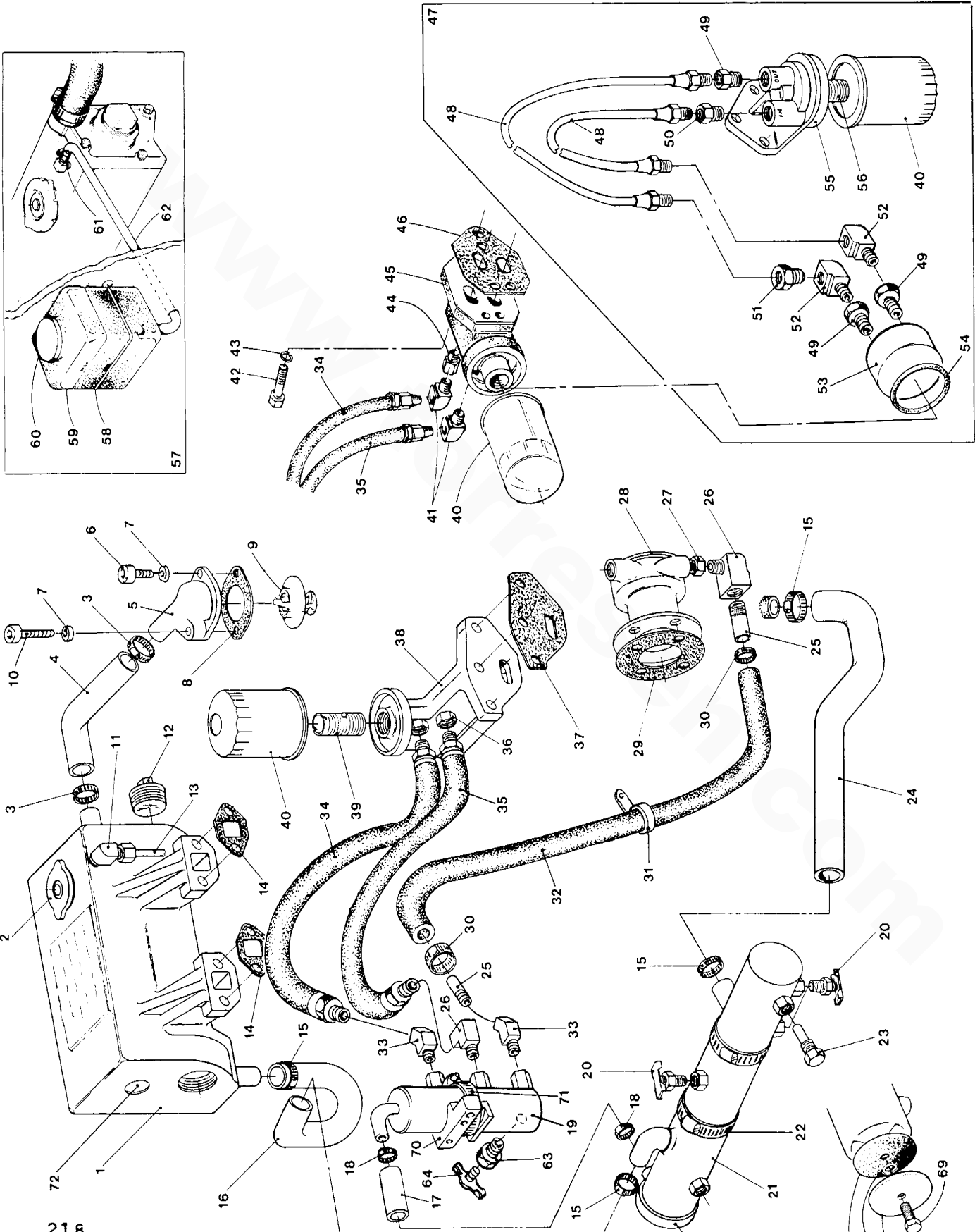
| REF | PN | NAME | REMARKS | QUAN |
|------|-------|------------|---------------------------------------|------|
| 1- 1 | 12680 | SUMP | OIL 1/2NPT DRAIN PLUG-TO AUG 1985-NLA | 1 |
| 1- 2 | 35304 | SUMP | OIL 3/4-16NF DRAIN PLUG | 1 |
| 2- 1 | 13951 | PLUG | SUMP DRAIN 1/2NPT-IVCL WASHER | 1 |
| 2- 2 | 35305 | FLUG | SUMP DRAIN 3/4-16UNF | 1 |
| 3- 1 | 13952 | WASHER | SUMP DRAIN PLUG 13951 | 1 |
| 3- 2 | 35306 | WASHER | SUMP DRAIN PLUG 35305 | 1 |
| 4 | 12473 | CAPSCREW | 5/16NF X 3/4 | 8 |
| 5 | 31758 | LOCKWASHER | 5/16 | 8 |
| 6 | 12652 | STIFFENER | SUMP SIDE | 8 |
| 7 | 12547 | STIFFENER | | 1 |
| 8 | 31758 | LOCKWASHER | 5/16 | 8 |
| 9 | 12474 | CAPSCREW | 5/16NF X 7/8 | 8 |
| 10 | 12407 | GASKET | | 2 |
| 11 | 12550 | STIFFENER | | 1 |
| 12 | 12659 | GASKET SET | SUMP-LEFT AND RIGHT | 1 |
| 13 | 12549 | STIFFENER | | 1 |
| 14 | 12548 | STIFFENER | | 1 |
| 15 | 12612 | DIPSTICK | | 1 |
| 16 | 14816 | WASHER | | 1 |
| 17 | 12686 | STRAINER | | 1 |
| 18 | 12491 | SPRING | | 1 |
| 19 | 12651 | LINE | OIL STRAINER TO PUMP | 1 |
| 20 | 12473 | CAPSCREW | 5/16NF X 3/4 | 1 |
| 21 | 31758 | LOCKWASHER | 5/16 | 1 |
| 22 | 31759 | WASHER | FLAT 5/16 | 1 |
| 23 | 20006 | NUT | SUCTION LINE | 1 |
| 24 | 19950 | FERRULE | SUCTION LINE | 1 |
| 25 | 12692 | PUMP | LUBE OIL-COMPLETE | 1 |
| 26 | 20017 | TABWASHER | OIL PUMP RETAINING CAPSCREW | 1 |
| 27 | | CAPSCREW | 5/16NF X 1-1/16 | 1 |
| 28 | 19951 | FERRULE | LUBE OIL DELIVERY LINE | 2 |
| 29 | 19952 | NUT | LUBE OIL DELIVERY LINE | 2 |
| 30 | 12442 | LINE | LUBE OIL DELIVERY LINE | 1 |

WESTERBEKE 4D - COOLING SYSTEM - FROM 1975



WESTERBEKE 40 - COOLING SYSTEM - FROM 1975

| REF | PN | NAME | REMARKS | QUAN |
|-------|-------|------------|--------------------------------------|------|
| 1 | 15564 | MANIFOLD | EXHAUST | 1 |
| 2 | 24306 | CAP | PRESSURE 15PSI | 1 |
| 3 | 21878 | CLAMP | HOSE 20 | 2 |
| 4 | 11652 | HOSE | THERMOSTAT TO MANIFOLD | 1 |
| 5 | 12009 | HOUSING | THERMOSTAT | 1 |
| 6 | 31922 | CAPSCREW | 3/8NF X 1 SOCKET HEAD | 1 |
| 7 | 31764 | LOCKWASHER | 3/8 | 2 |
| 8 | 12663 | GASKET | THERMOSTAT HOUSING | 1 |
| 9 | 24688 | THERMOSTAT | | 1 |
| 10 | 31923 | CAPSCREW | 3/8NF X 2 SOCKET HEAD | 1 |
| 11- 1 | 13329 | ELBOW | COOLANT OVERFLOW-NO RECOVERY TANK | 1 |
| 11- 2 | 24907 | ELBOW | MANIFOLD TO RECOVERY TANK HOSE | 1 |
| 12- 1 | 19324 | PLUG | FRONT EXHAUST OUTLET | 1 |
| 12- 2 | | LOC-TITE | ANTI-SEIZE SHOULD BE USED ON THREADS | |
| 13 | 11500 | TUBING | OVERFLOW-NO TANK-INCHES REQD | 8 |
| 14 | 11653 | GASKET | EXHAUST MANIFOLD TO HEAD | 2 |
| 15 | 21878 | CLAMP | HOSE 20 | 4 |
| 16 | 15567 | HOSE | MANIFOLD TO HEAT EXCHANGER | 1 |
| 17 | 11517 | HOSE | COOLER TO EXCHANGER-INCHES REQD | 5 |
| 18 | 11341 | CLAMP | HOSE 8 | 2 |
| 19 | 24581 | COOLER | OIL INCL BRACKET AND CLAMP | 1 |
| 20 | 11471 | PETCOCK | | 2 |
| 21- 1 | 14129 | EXCHANGER | HEAT | 1 |
| 21- 2 | 11966 | EXCHANGER | HEAT CUPRO-NICKLE | 1 |
| 22 | 11505 | CLAMP | EXCHANGER TO HOUSING | 2 |
| 23 | 11885 | ZINC | | 1 |
| 24 | 12221 | HOSE | EXCHANGER TO BLOCK | 1 |
| 25 | 13519 | NIPPLE | HOSE | 2 |
| 26 | 13338 | ELBOW | 3/8NPT STREET 90 | 2 |
| 27 | 11659 | BUSHING | REDUCER 1/2NPT X 3/8NPT | 1 |
| 28- 1 | 16423 | PUMP | SEA WATER-RUBBER IMPELLER | 1 |
| 28- 2 | 11658 | PUMP | SEA WATER-BRONZE GEAR-LIFEBOATS | 1 |
| 29 | 11143 | GASKET | SEA WATER PUMP MOUNT | 1 |
| 30 | 11341 | CLAMP | HOSE 8 | 2 |
| 31 | 13760 | CLAMP | SUPPORT HOSE | 1 |
| 32 | 11517 | HOSE | PUMP TO COOLER-INCHES REQD | 24 |
| 33 | 13337 | ELBOW | 3/8NPT STREET 45 | 2 |
| 34- 1 | 19151 | HOSE | COOLER TO FILTER ADAPTER 18972 | 1 |
| 34- 2 | 11926 | HOSE | COOLER TO FILTER ADAPTER 24264 | 1 |
| 35- 1 | 19150 | HOSE | FILTER ADAPTER 18972 TO COOLER | 1 |
| 35- 2 | 11926 | HOSE | FILTER ADAPTER 24264 TO COOLER | 1 |
| 36 | 13348 | ADAPTER | HOSE TO ADAPTER 18972 | 2 |
| 37 | 12669 | GASKET | FILTER ADAPTER 18972 TO CLOCK | 1 |
| 38 | 18972 | ADAPTER | LUBE OIL FILTER-TO 1980-NLA | 1 |
| 39 | 13610 | NIPPLE | LUBE OIL FILTER TO ADAPTER | 1 |
| 40 | 16655 | FILTER | LUBE OIL | 1 |

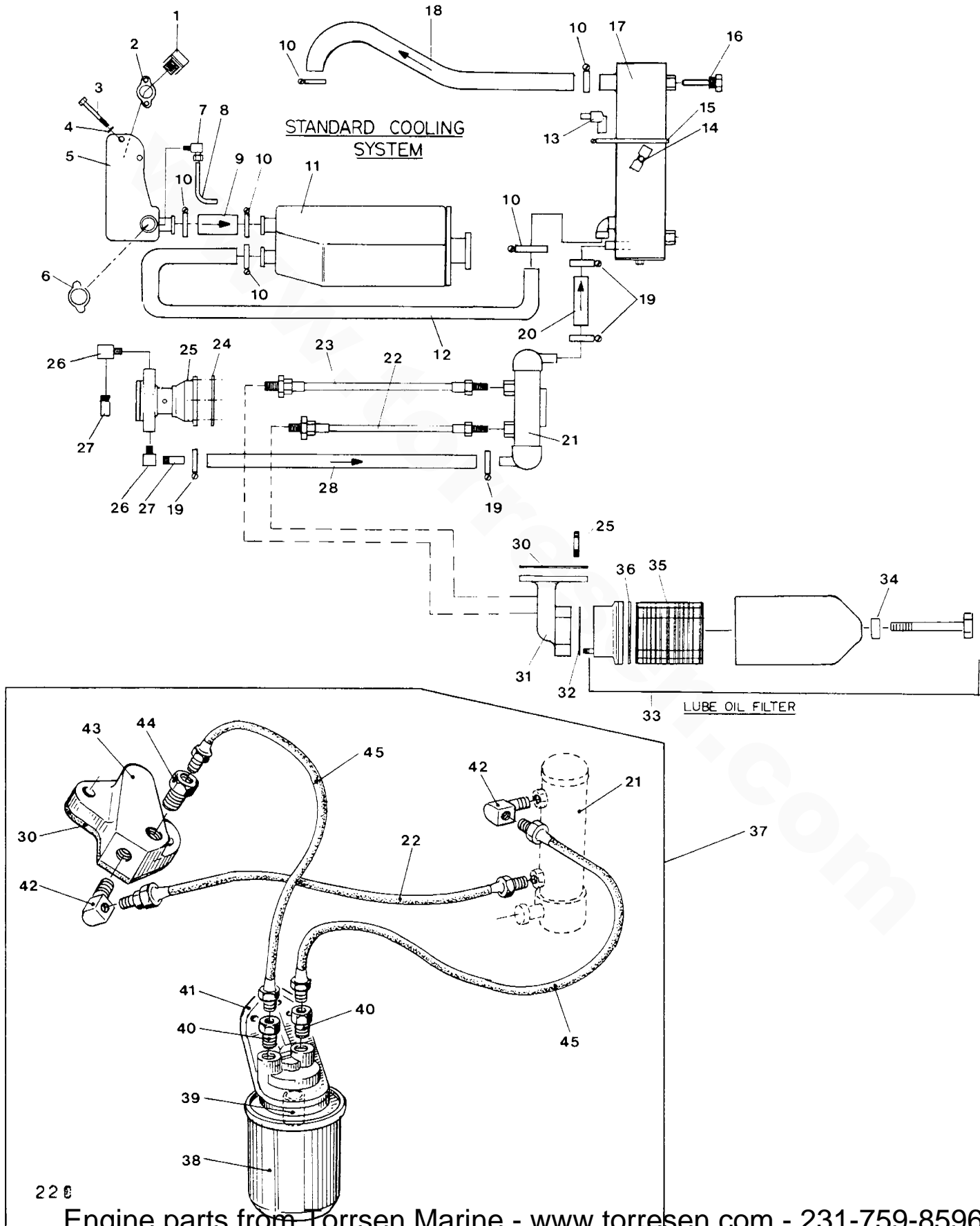


218

WESTERBEKE 40 - COOLING SYSTEM - FROM 1975

| REF | PN | NAME | REMARKS | QUAN |
|-------|-------|------------|--------------------------------|------|
| 41 | 13330 | ELBOW | HOSE TO FILTER ADAPTER | 2 |
| 42- 1 | 31681 | CAPSCREW | 7/16NF X 1-1/4 | 1 |
| 42- 2 | 31690 | CAPSCREW | 7/16NF X 3-1/2 | 1 |
| 43 | 31770 | LOCKWASHER | 7/16 | 2 |
| 44 | 13332 | ADAPTER | | 1 |
| 45- 1 | 24264 | ADAPTER | LUBE OIL FILTER | 1 |
| 45- 2 | 30761 | ADAPTER | LUBE OIL FILTER W40-WC | 1 |
| 46 | 24322 | GASKET | ADAPTER TO BLOCK | 1 |
| 47 | 21513 | KIT | REMOTE LUBE OIL FILTER | 1 |
| 48 | 11925 | HOSE | OIL LINE TO REMOTE FILTER | 2 |
| 49 | 11659 | PUSHING | REDUCER 1/2NPT-3/8NPT | 3 |
| 50 | 21512 | ADAPTER | HOSE TO HOUSING | 1 |
| 51 | 13348 | ADAPTER | HOSE TO ELBOW | 1 |
| 52 | 13337 | ELBOW | 3/8NPT STREET 45 | 2 |
| 53 | 20983 | ADAPTER | | 1 |
| 54 | 20455 | O-RING | | 1 |
| 55 | 16398 | HOUSING | REMOTE OIL FILTER | 1 |
| 56 | 13610 | NIPPLE | FILTER TO HOUSING | 1 |
| 57 | 24977 | KIT | COOLANT RECOVERY TANK | 1 |
| 58 | 24786 | STRAP | COOLANT RECOVERY TANK MOUNTING | 1 |
| 59 | 24704 | TANK | COOLANT RECOVERY | 1 |
| 60 | 24858 | CAP | COOLANT RECOVERY TANK | 1 |
| 61 | 24906 | CLAMP | HOSE | 2 |
| 62 | 24637 | TUBING | INCHES REQUIRED | 30 |
| 63 | 13717 | BUSHING | REDUCER 3/8NPT-1/8NPT | 1 |
| 64 | 11471 | PETCOCK | | 1 |
| 65 | 23169 | CAP | EXCHANGER END-RUBBER | 1 |
| 66 | 22850 | CAP | EXCHANGER END-METAL | 1 |
| 67 | 19321 | O-RING | | 1 |
| 68 | 22851 | GASKET | EXCHANGER END CAP | 1 |
| 69 | 22852 | CAPSCREW | 3/8NC X 1/2 BRASS | 1 |
| 70 | 24840 | BRACKET | OIL COOLER | 1 |
| 71 | 11411 | CLAMP | OIL COOLER | 1 |
| 72 | 19334 | PLUG | EXPANSION | 1 |

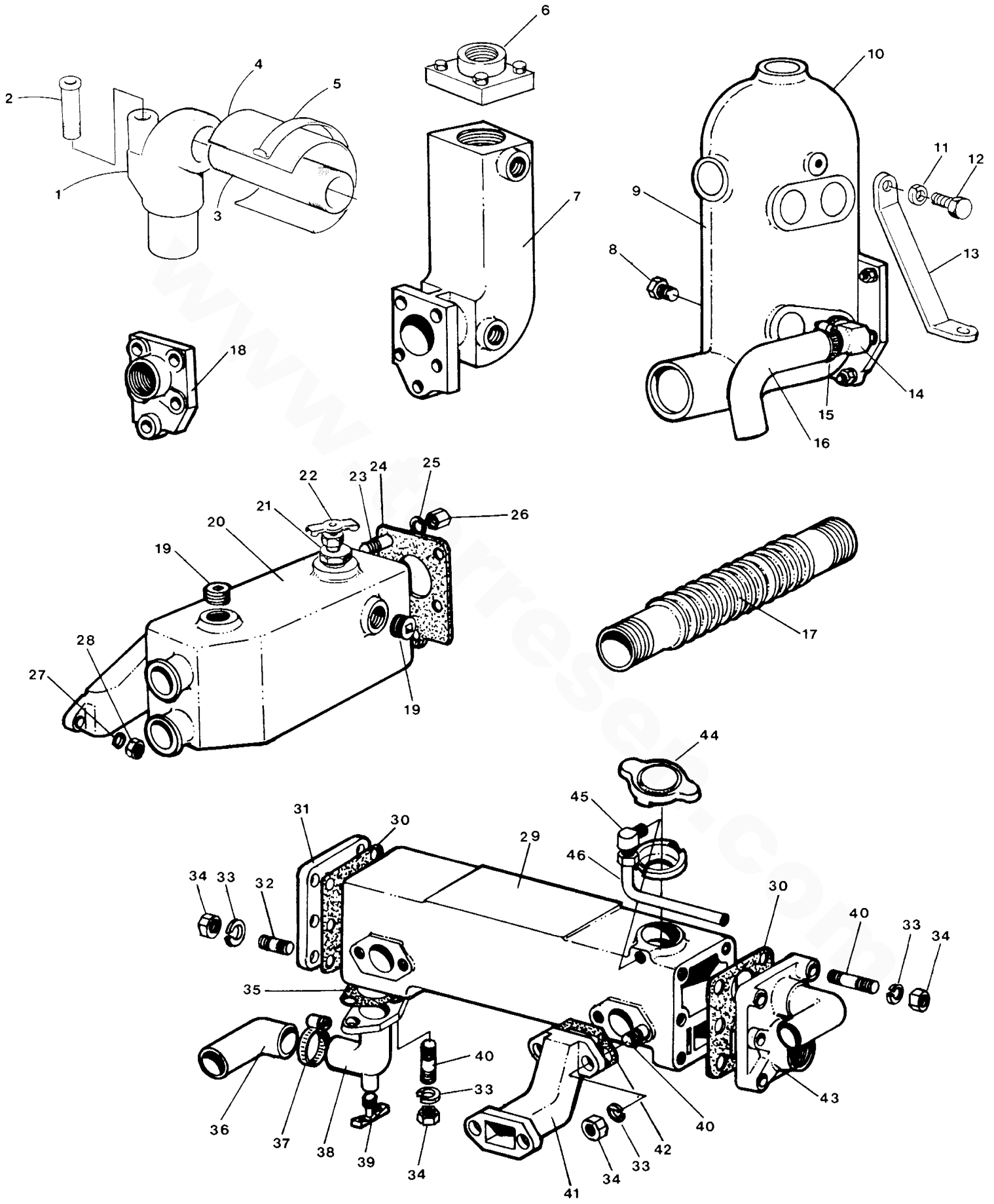
WESTERBEKE 40 - COOLING SYSTEM - TO 1975



WESTERBEKE 40 - COOLING SYSTEM - TO 1975

| REF | PN | NAME | REMARKS | QUAN |
|-------|-------|------------|----------------------------------|------|
| 1 | 24688 | THERMOSTAT | | 1 |
| 2 | 12663 | GASKET | THERMOSTAT | 1 |
| 3 | 14832 | CAPSCREW | 3/8NF X 5 | 2 |
| 4 | 31764 | LOCKWASHER | 3/8 | 2 |
| 5 | 14073 | TANK | FRESH WATER EXPANSION | 1 |
| 6- 1 | 11499 | CAP | PRESSURE 4 PSI | 1 |
| 6- 2 | 24306 | CAP | PRESSURE 15PSI | 1 |
| 7 | 13329 | ELBOW | COOLANT OVERFLOW | 1 |
| 8 | 11783 | TUBING | COOLANT OVERFLOW-INCHES REQD | 7 |
| 9 | 11501 | HOSE | 1.25ID-INCHES REQD | 2 |
| 10 | 21878 | CLAMP | HOSE 20 | 6 |
| 11 | 12411 | MANIFOLD | | 1 |
| 12 | 13825 | HOSE | MANIFOLD TO HEAT EXCHANGER | 1 |
| 13- 1 | 12092 | BRACKET | EXCHANGER MOUNT-PROPULSION | 1 |
| 13- 2 | 11115 | BRACKET | EXCHANGER MOUNT-GENSET | 1 |
| 14 | 11471 | PETCOCK | | 3 |
| 15 | 11505 | CLAMP | EXCHANGER MOUNT | 2 |
| 16 | 11885 | ZINC | | 1 |
| 17- 1 | 14129 | EXCHANGER | HEAT | 1 |
| 17- 2 | 11966 | EXCHANGER | HEAT-CUPRO-NICKLE | 1 |
| 17- 3 | 13053 | EXCHANGER | HEAT-GENSET-DRIP PAN MOUNTED | 1 |
| 17- 4 | 12887 | EXCHANGER | HEAT-90 DEGREE OUTLET | 1 |
| 18 | 12221 | HOSE | EXCHANGER TO BLOCK | 1 |
| 19 | 11341 | CLAMP | HOSE 8 | 4 |
| 20 | 11517 | HOSE | COOLER TO EXCHANGER-INCHES REQD | 5 |
| 21 | 24581 | COOLER | OIL-INCLUDING BRACKET AND CLAMP | 1 |
| 22 | 11923 | HOSE | OIL COOLER TO FILTER ADAPTER | 1 |
| 23 | 11926 | HOSE | OIL COOLER TO FILTER ADAPTER | 1 |
| 24 | 11143 | GASKET | SEA WATER PUMP TO TIMING COVER | 1 |
| 25- 1 | 16423 | PUMP | SEA WATER-RUBBER IMPELLER | 1 |
| 25- 2 | 11658 | PUMP | SEA WATER-BRONZE GEAR-LIFEBOATS | 1 |
| 25- 3 | 11830 | PUMP | SEA WATER-BELT DRIVEN | 1 |
| 26 | 13338 | ELBOW | 3/8NPT STREET 90 | 2 |
| 27 | 13519 | NIPPLE | HOSE | 2 |
| 28 | 11517 | HOSE | PUMP TO COOLER-INCHES REQD | 24 |
| 29 | 12503 | STUD | | 1 |
| 30 | 12669 | GASKET | BLOCK TO FILTER BRACKET | 1 |
| 31- 1 | 12687 | BRACKET | FILTER TO BLOCK-PROPULSION | 1 |
| 31- 2 | 12938 | BRACKET | FILTER TO BLOCK-GENSET | 1 |
| 32 | 12668 | GASKET | LUBE OIL FILTER TO BRACKET | 1 |
| 33- 1 | 12330 | FILTER | LUBE OIL-CANISTER TYPE-NLA | 1 |
| 33- 2 | 32057 | FILTER | KIT-CONVERSION TO SPIN-ON FILTER | 1 |
| 34 | 12532 | SEAL | ROLT TO FILTER CANISTER | 1 |
| 35 | 11268 | ELEMENT | LUBE OIL FILTER | 1 |
| 36 | 12405 | GASKET | | 1 |
| 37 | 14090 | FILTER | REMOTE LUBE OIL KIT | 1 |
| 38 | 16655 | FILTER | LUBE OIL SPIN-ON | 1 |
| 39 | 13610 | NIPPLE | | 1 |
| 40 | 11659 | BUSHING | REDUCER | 2 |
| 41 | 16398 | BRACKET | REMOTE OIL FILTER | 1 |
| 42 | 13330 | ELBOW | | 2 |
| 43 | 13955 | ADAPTER | OIL LINES TO BLOCK | 1 |
| 44 | 13348 | ADAPTER | OIL LINE | 1 |
| 45 | 11925 | HOSE | OIL | 2 |

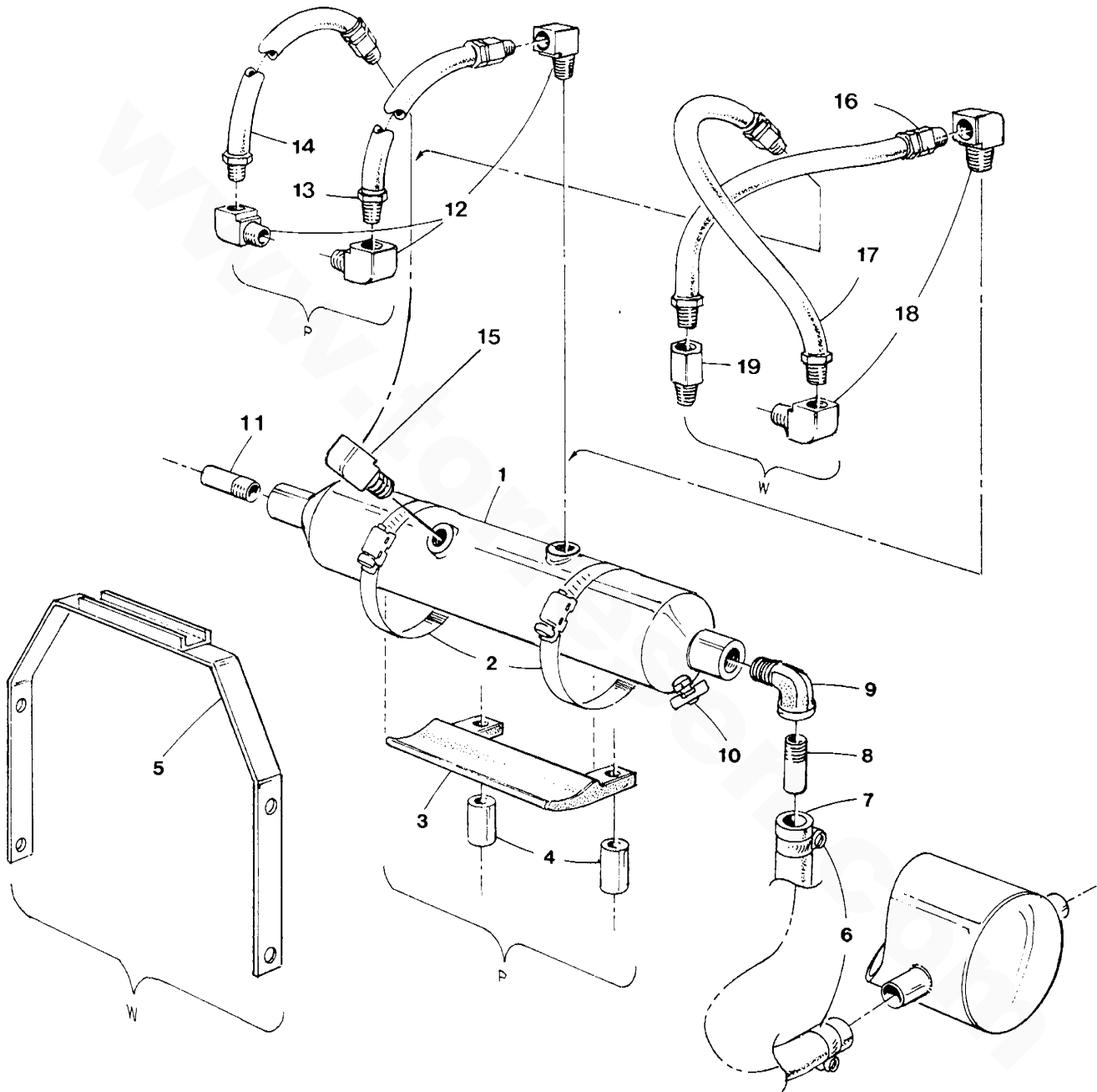
WESTERBEKE 40 - EXHAUST MANIFOLD AND ATTACHMENTS



WESTERBEKE 40 - EXHAUST MANIFOLD AND ATTACHMENTS

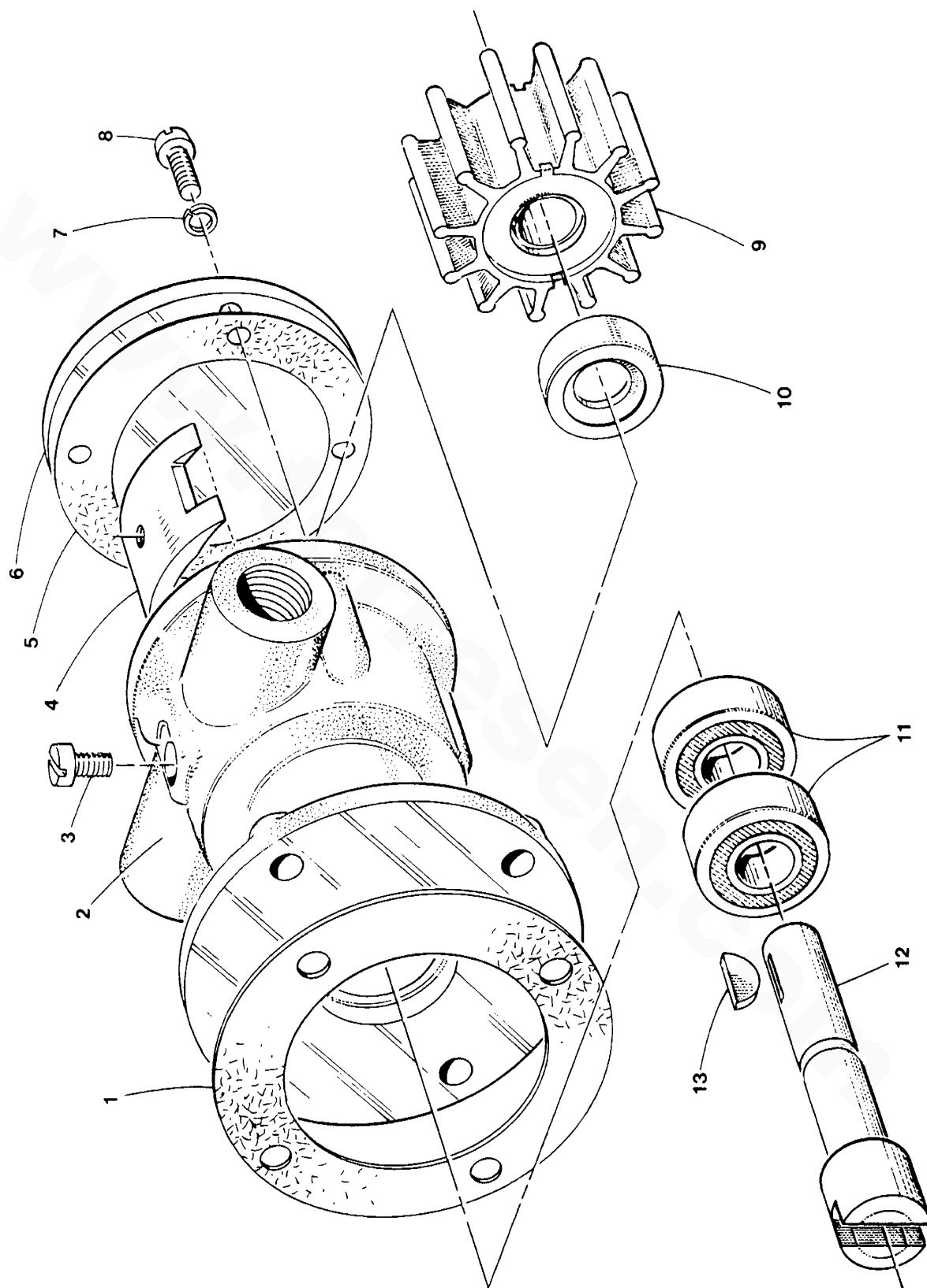
| REF | PN | NAME | REMARKS | QUAN |
|------|-------|------------|---|------|
| 1 | 15985 | ELBOW | WATER INJECTED EXHAUST | 1 |
| 2- 1 | 11659 | BUSHING | REDUCER 1/2NPT TO 3/8NPT | 1 |
| 2- 2 | 13519 | NIPPLE | HOSE 3/8NPT X 5/8 HOSE | 1 |
| 3 | 24207 | NIPPLE | 1.5NPT X 8 | 1 |
| 4 | 30060 | INSULATOR | EXHAUST NIPPLE | 1 |
| 5 | 30058 | CLAMP | SPRING-INSULATOR | 2 |
| 6 | 13828 | FLANGE | EXHAUST 1.5NPT | 1 |
| 7 | 14098 | ELBOW | WATER JACKETED | 1 |
| 8 | 11724 | PLUG | RISER DRAIN | 1 |
| 9 | 15017 | RISER | EXHAUST-SEA WATER JACKETED-NAVY TYPE | 1 |
| 10 | 11755 | PLUG | EXPANSION | 10 |
| 11 | 31764 | LOCKWASHER | 3/8 | 1 |
| 12 | 31603 | CAPSCREW | 3/8NC X 3/4 | 1 |
| 13 | 13131 | BRACKET | EXHAUST RISER SUPPORT | 1 |
| 14 | 11128 | ELBOW | RISER SEA WATER INLET | 1 |
| 15 | 11341 | CLAMP | HOSE 8 | 2 |
| 16 | 21516 | HOSE | SEA WATER-WIRE INSERTED-INCHES REQUIRED | 8 |
| 17 | 12169 | LINE | 1.5NPT SS FLEXIBLE EXHAUST | 1 |
| 18 | 11019 | FLANGE | EXHAUST 1.5NPT 12411 MANIFOLD | 1 |
| 19 | 11752 | PLUG | 1/2NPT SOCKET | 3 |
| 20 | 12411 | MANIFOLD | EXHAUST | 1 |
| 21 | 11612 | BUSHING | REDUCER | 1 |
| 22 | 11471 | PETCOCK | | 1 |
| 23 | 12502 | STUD | MANIFOLD END | 4 |
| 24 | 12667 | GASKET | MANIFOLD END | 1 |
| 25 | 31764 | LOCKWASHER | 3/8 | 5 |
| 26 | 31766 | NUT | 3/8NF | 5 |
| 27 | 31758 | LOCKWASHER | 5/16 | 4 |
| 28 | 31760 | NUT | 5/16NF | 4 |
| 29 | 14114 | MANIFOLD | NLA-REPLACE WITH 15564 MANIFOLD | 1 |
| 30 | 12223 | GASKET | MANIFOLD END | 2 |
| 31 | 12222 | PLATE | MANIFOLD END | 1 |
| 32 | 11264 | STUD | | 6 |
| 33 | 31758 | LOCKWASHER | 5/16 | 18 |
| 34 | 31760 | NUT | 5/16NF | 18 |
| 35 | 11190 | GASKET | MANIFOLD TO ELBOW | 1 |
| 36 | 11652 | HOSE | | 1 |
| 37 | 21878 | CLAMP | HOSE 20 | 1 |
| 38 | 12215 | ELBOW | MANIFOLD WATER OUTLET-NLA | 1 |
| 39 | 11471 | PETCOCK | | 1 |
| 40 | 11263 | STUD | | 12 |
| 41 | 13233 | ADAPTER | MANIFOLD TO HEAD-NLA | 2 |
| 42 | 11653 | GASKET | ADAPTER TO MANIFOLD | 2 |
| 43 | 12214 | FLANGE | MANIFOLD END-1.5NPT EXHAUST | 1 |
| 44 | 11499 | CAP | PRESSURE 4PSI | 1 |
| 45 | 13329 | ELBOW | COOLANT OVERFLOW | 1 |
| 46 | 11500 | TUBING | OVERFLOW-INCHES REQUIRED | 8 |

HYDRAULIC TRANSMISSION OIL COOLER SYSTEM



HYDRAULIC TRANSMISSION OIL COOLER SYSTEM

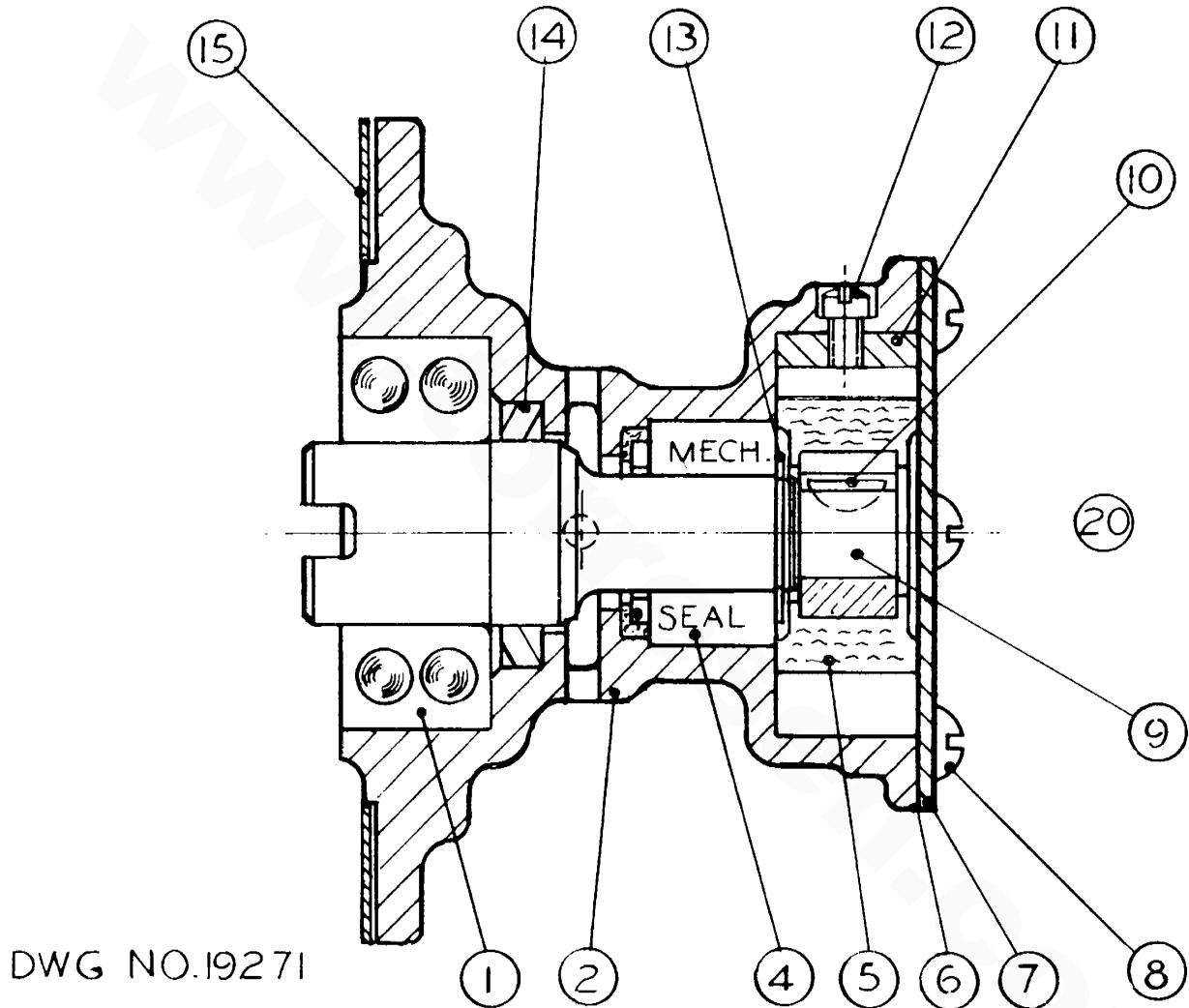
| REF | PN | NAME | REMARKS | QUAN |
|-------|-------|---------|---------------------------------------|------|
| 1 | 34415 | COOLER | OIL | 1 |
| 2 | 11411 | CLAMP | HOSE-MOUNT COOLER TO BRACKET | 2 |
| 3 | 11017 | BRACKET | OIL COOLER MOUNT ON PARAGON HYDRAULIC | 1 |
| 4 | 13621 | SPACER | OIL COOLER MOUNT ON PARAGON HYDRAULIC | 2 |
| 5 | 13057 | BRACKET | OIL COOLER MOUNT ON WARNER HYDRAULIC | 1 |
| 6 | 11341 | CLAMP | HOSE | 2 |
| 7 | 21516 | HOSE | INCHES REQUIRED | 14 |
| 8- 1 | 13519 | NIPPLE | HOSE 3/8NPT TO 5/8 HOSE | 1 |
| 8- 2 | 11659 | BUSHING | REDUCER 1/2NPT TO 3/8NPT | 1 |
| 9 | 24693 | ELBOW | 1/2NPT STREET 90 | 1 |
| 10 | 11471 | PETCOCK | | 1 |
| 11 | 32230 | NIPPLE | HOSE 1/2NPT TO 7/8 HOSE | 1 |
| 12 | 13330 | ADAPTER | ELBOW-PARAGON HYDRAULIC | 3 |
| 13 | 22115 | HOSE | OIL-LONG-PARAGON HYDRAULIC | 1 |
| 14 | 11923 | HOSE | OIL-SHORT-PARAGON HYDRAULIC | 1 |
| 15 | 13338 | ELBOW | 3/8NPT STREET 90 | 1 |
| 16 | 11921 | HOSE | OIL-SHORT-WARNER HYDRAULIC | 1 |
| 17- 1 | 22114 | HOSE | OIL-LONG-WARNER DIRECT DRIVE | 1 |
| 17- 2 | 23567 | HOSE | OIL-LONG-WARNER REDUCTION | 1 |
| 18 | 13330 | ADAPTER | ELBOW-WARNER HYDRAULIC | 2 |
| 19 | 13348 | ADAPTER | WARNER HYDRAULIC | 1 |



WESTERBEKE 40 - SEA WATER PUMP 16423

| REF | PN | NAME | REMARKS | QUAN |
|------|-------|------------|---------------------------|------|
| 1 | 11143 | GASKET | PUMP TO TIMING CASE | 1 |
| 2- 1 | 16423 | PUMP | COMPLETE | 1 |
| 2- 2 | 18169 | HOUSING | PUMP BODY | 1 |
| 2- 3 | 18172 | KIT | MAJOR REPAIR | 1 |
| 3 | 18160 | SCREW | BRASS-PUMP HOUSING TO CAM | 1 |
| 4 | 18152 | CAM | | 1 |
| 5 | 15153 | GASKET | IMPELLER COVER | 1 |
| 6 | 18171 | COVER | IMPELLER | 1 |
| 7 | 32183 | LOCKWASHER | | 4 |
| 8 | 18151 | SCREW | BRASS | 4 |
| 9 | 33104 | KIT | IMPELLER AND GASKET | 1 |
| 10 | 18159 | SEAL | | 1 |
| 11 | 18170 | BEARING | | 2 |
| 12 | 18176 | SHAFT | | 1 |
| 13 | 18148 | KEY | IMPELLER TO SHAFT | 1 |

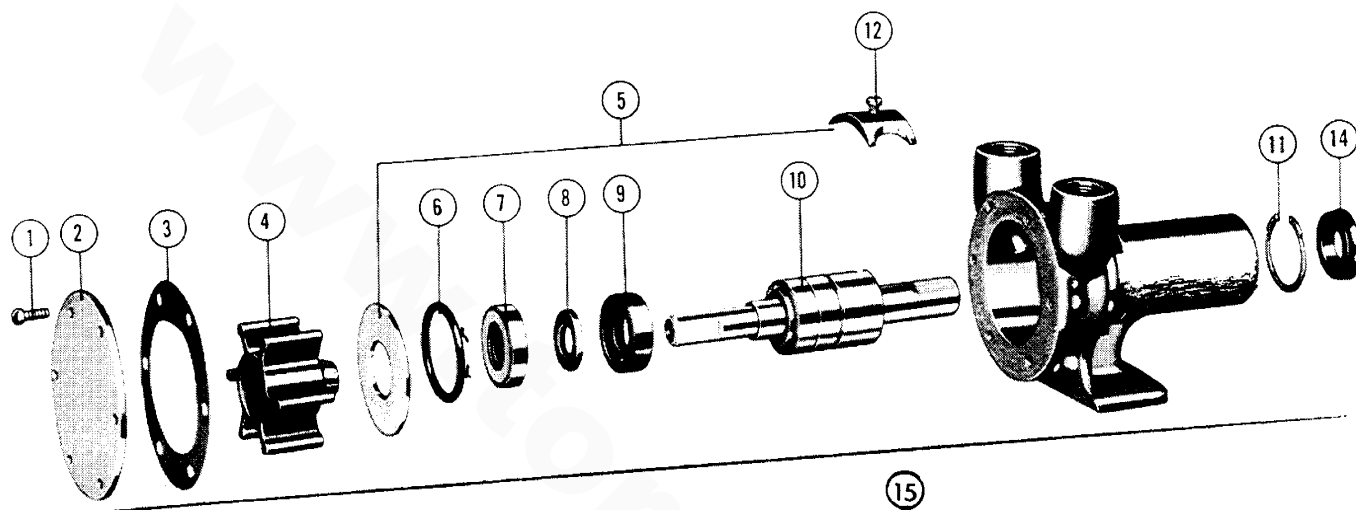
WESTERBEKE 40 - SEA WATER PUMP 11020



WESTERBEKE 40 - SEA WATER PUMP 11020

| REF | PN | NAME | REMARKS | QUAN |
|-----|-------|---------|-----------------------------|------|
| 1 | 12910 | BEARING | BALL | 1 |
| 2 | 12909 | HOUSING | PUMP BODY-NLA | 1 |
| 4 | 14774 | SEAL | WITH SEAT | 1 |
| 5 | 11906 | KIT | IMPELLER AND GASKET | 1 |
| 6 | 11765 | GASKET | IMPELLER COVER | 1 |
| 7 | 12918 | COVER | IMPELLER | 1 |
| 8 | 18140 | SCREW | | 6 |
| 9 | 12913 | SHAFT | | 1 |
| 10 | 12915 | KEY | IMPELLER TO SHAFT | 1 |
| 11 | 12916 | CAM | | 1 |
| 12 | 12917 | SCREW | PUMP HOUSING TO CAM | 1 |
| 13 | 18145 | RING | RETAINING | 1 |
| 14 | 18167 | SEAL | | 1 |
| 15 | 11143 | GASKET | PUMP TO TIMING CASE | 1 |
| 20 | 11020 | PUMP | COMPLETE-NLA-USE 16423 PUMP | 1 |

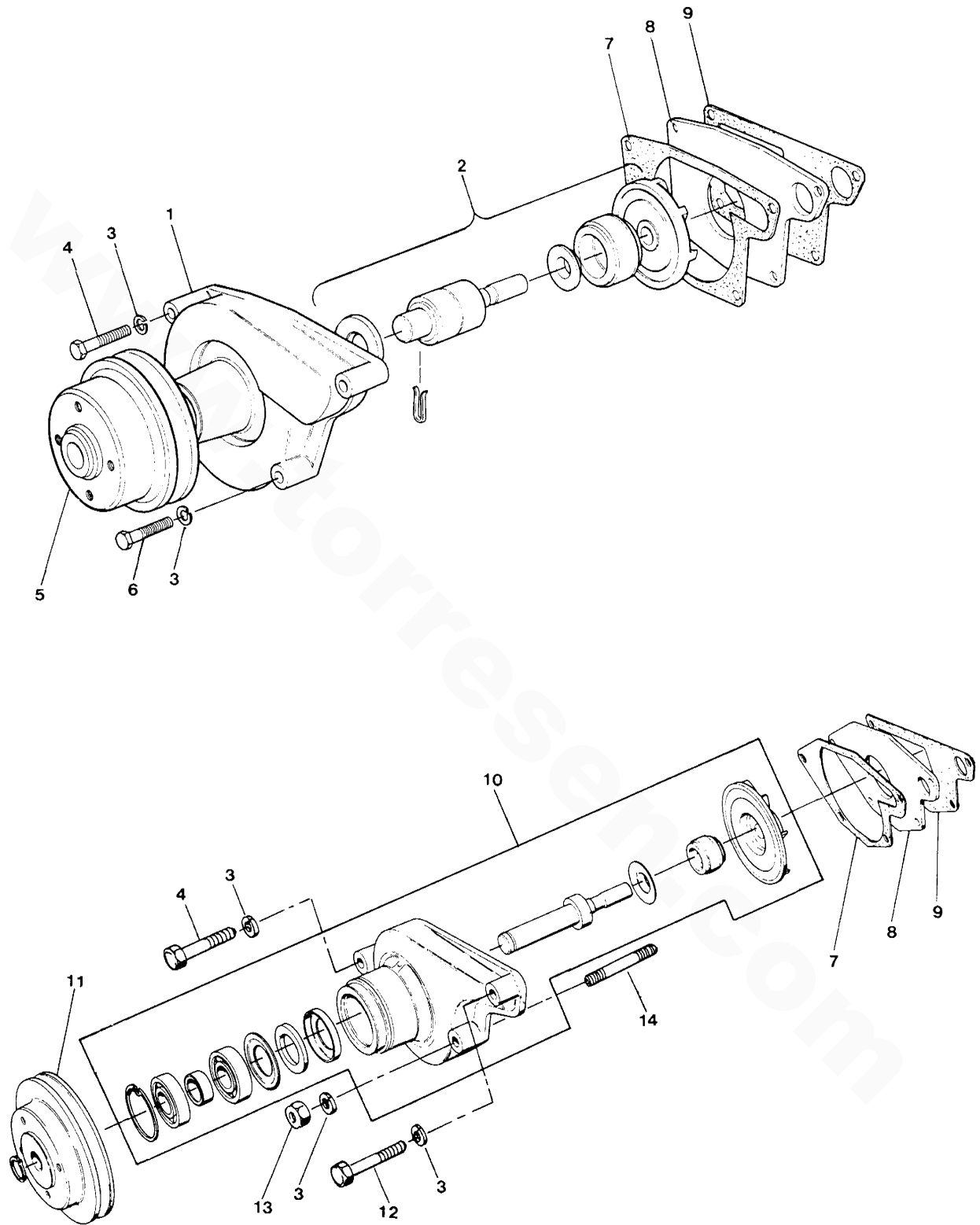
WESTERBEKE 40 - SEA WATER PUMP 11830 - BELT DRIVEN



WESTERBEKE 40 - SEA WATER PUMP 11830 - BELT DRIVEN

| REF | PN | NAME | REMARKS | QUAN |
|-------|-------|----------|-------------------------------|------|
| 1 | 18188 | SCREW | COVER | 6 |
| 2 | 18183 | COVER | | 1 |
| 3 | 18182 | GASKET | COVER | 1 |
| 4 | 18184 | IMPELLER | | 1 |
| 5 | 18186 | CAM | INCLUDING WEAR PLATE | 1 |
| 6 | 18191 | O-RING | | 1 |
| 7 | 18193 | SEAL | SHAFT | 1 |
| 8 | 18181 | SLINGER | | 1 |
| 9 | 18194 | SEAL | BEARING-INNER | 1 |
| 10 | 18185 | SHAFT | | 1 |
| 11 | 18190 | SNAPRING | | 1 |
| 12 | 18189 | SCREW | CAM | 1 |
| 13 | 18187 | KEY | DRIVE PULLEY TO SHAFT | 1 |
| 14 | 18192 | SEAL | BEARING-OUTER | 1 |
| 15- 1 | 11830 | PUMP | COMPLETE | 1 |
| 15- 2 | 14768 | KIT | IMPELLER AND SEAL REPLACEMENT | 1 |

WESTERBEKE 40 - FRESH WATER PUMP

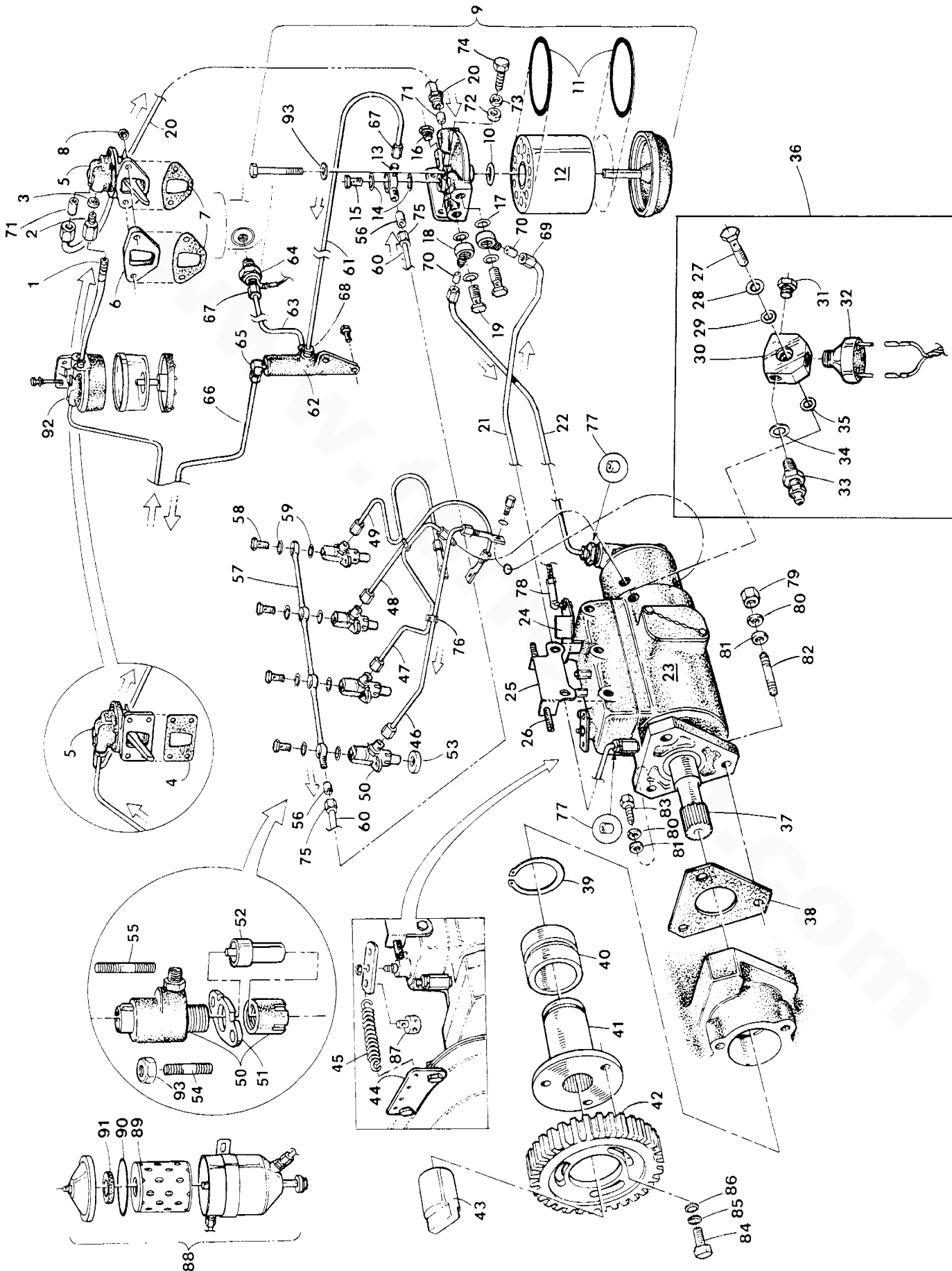


WESTERBEKE 40 - FRESH WATER PUMP

| REF | PN | NAME | REMARKS | QUAN |
|-------|-------|------------|---------------------------|------|
| 1 | 12935 | PUMP | FRESH WATER S/N 107J | 1 |
| 2 | 12932 | KIT | PUMP 12935 REPAIR | 1 |
| 3 | 31758 | LOCKWASHER | 5/16 | 4 |
| 4 | 31584 | CAPSCREW | 5/16NF X 2 | 2 |
| 5 | 12459 | PULLEY | PUMP 12935 | 1 |
| 6 | 31583 | CAPSCREW | 5/16NF X 1-3/4 | 2 |
| 7 | 12673 | GASKET | PUMP TO PLATE | 1 |
| 8 | 12655 | PLATE | FRESH WATER PUMP TO BLOCK | 1 |
| 9 | 12674 | GASKET | PLATE TO BLOCK | 1 |
| 10- 1 | 20035 | PUMP | FRESH WATER S/N 108J & ED | 1 |
| 10- 2 | 19933 | KIT | PUMP 20035 REPAIR | 1 |
| 11 | 19987 | PULLEY | PUMP 20035 | 1 |
| 12 | 31583 | CAPSCREW | 5/16NF X 1-3/4 | 1 |
| 13 | 31760 | NUT | 5/16NF | 1 |
| 14 | 35388 | STUD | 5/16NF X 2-1/8 | 1 |

www.torresen.com

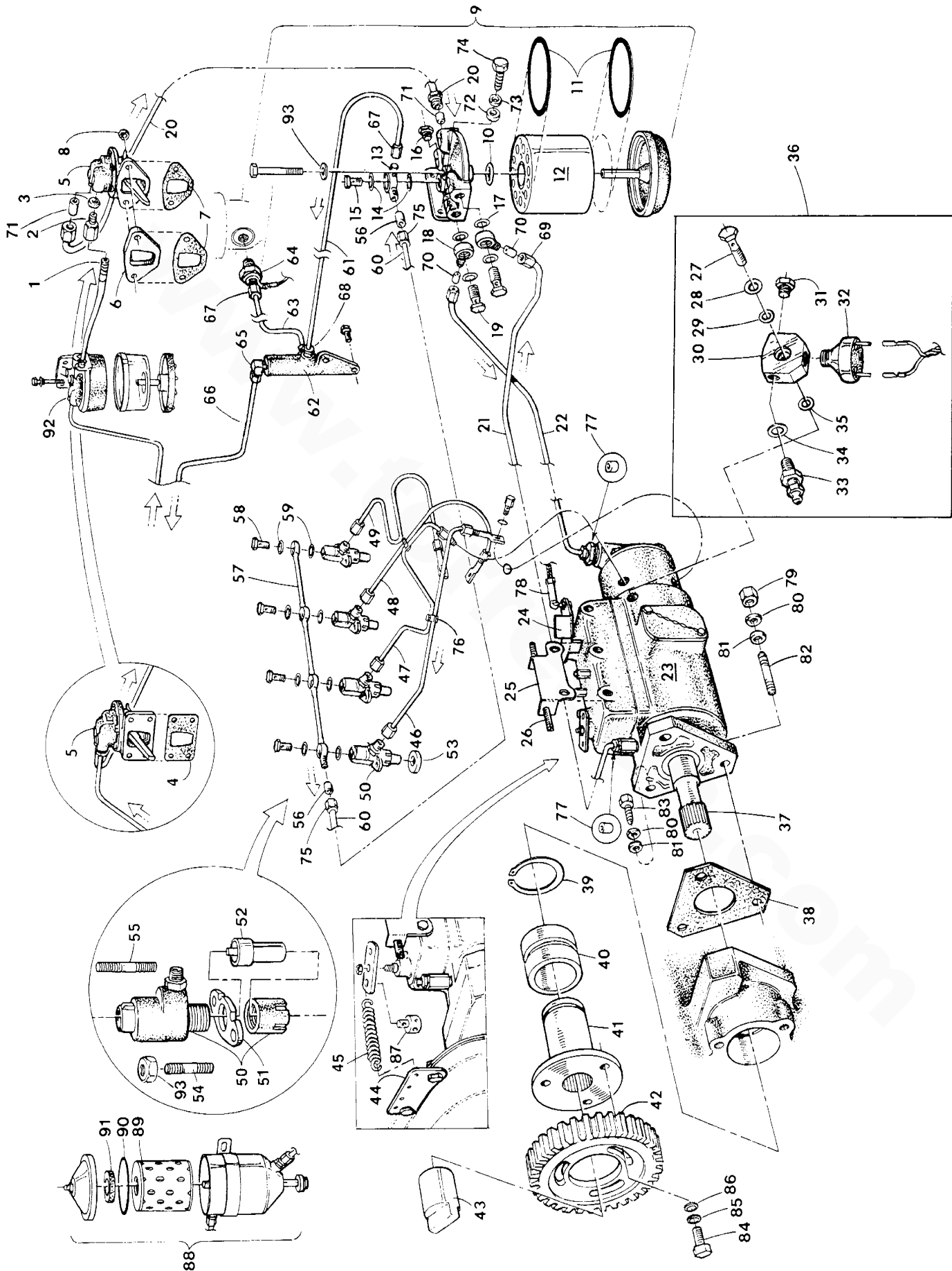
WESTERBEKE 40 - FUEL SYSTEM



WESTERBEKE 40 - FUEL SYSTEM

| REF | PN | NAME | REMARKS | QUAN |
|-------|-------|------------|---|------|
| 1 | 23909 | HOSE | FUEL SUPPLY | 1 |
| 2 | 31062 | VALVE | CHECK | 1 |
| 3 | 31061 | WASHER | SEALING | 1 |
| 4 | 16245 | GASKET | 4 STUD LIFT PUMP | 1 |
| 5- 1 | 11700 | PUMP | FUEL LIFT 2 STUD | 1 |
| 5- 2 | 16443 | PUMP | FUEL LIFT 4 STUD | 1 |
| 5- 3 | 12579 | KIT | FUEL LIFT PUMP REPAIR-2 STUD | 1 |
| 5- 4 | 35125 | KIT | FUEL LIFT PUMP REPAIR-4 STUD | 1 |
| 6 | 12379 | SPACER | 2 STUD LIFT PUMP TO BLOCK | 1 |
| 7 | 12670 | GASKET | 2 STUD LIFT PUMP | 2 |
| 8- 1 | 12269 | NUT | 5/16NC | 2 |
| 8- 2 | 12269 | NUT | 5/16NC | 4 |
| 9 | 19509 | FILTER | FUEL | 1 |
| 10 | | O-RING | FUEL FILTER SEE REF 12 | 1 |
| 11 | | GASKET SET | FUEL FILTER SEE REF 12 | 1 |
| 12 | 14776 | ELEMENT | FULE FILTER INCL REF 10-11 | 1 |
| 13 | 11936 | BANJO | FUEL RETURN | 1 |
| 14 | 11944 | WASHER | BANJO | 2 |
| 15 | 12351 | BOLT | BANJO | 1 |
| 16- 1 | 19505 | PLUG | FUEL FILTER UNUSED PORT | 1 |
| 16- 2 | 19507 | WASHER | FUEL FILTER PLUG | 1 |
| 17 | 12522 | WASHER | BANJO | 4 |
| 18 | 11941 | BANJO | FILTER TO INJECTION PUMP LINES | 2 |
| 19 | 12350 | BOLT | BANJO | 2 |
| 20 | 19511 | LINE | LIFT PUMP TO FILTER | 1 |
| 21 | 14814 | LINE | INJECTION PUMP TO FILTER | 1 |
| 22 | 14813 | LINE | FILTER TO INJECTION PUMP | 1 |
| 23- 1 | 13784 | PUMP | INJECTION-HYDRAULIC-PROPULSION | 1 |
| 23- 2 | 14680 | PUMP | INJECTION-MECHANICAL-PROP TO 107U6037 | 1 |
| 23- 3 | 14679 | PUMP | INJECTION-MECHANICAL-GENSET TO 107U6037 | 1 |
| 23- 4 | 14678 | PUMP | INJECTION-MECHANICAL-PROP FROM 107U6038 | 1 |
| 23- 5 | 14679 | PUMP | INJECTION-MECHANICAL-GENSET FR 107U6038 | 1 |
| 24 | 16034 | LEVER | THROTTLE | 1 |
| 25 | 16033 | BRACKET | IDLE SCREW | 1 |
| 26 | 16539 | SCREW | IDLE ADJUSTING | 1 |
| 27 | 19187 | SCREW | ADAPTER TO PUMP | 1 |
| 28 | 19442 | WASHER | | 1 |
| 29 | 19320 | O-RING | | 1 |
| 30 | 19185 | ADAPTER | FUEL PRESSURE SWITCH | 1 |
| 31 | 11615 | PLUG | 1/8NPT | 1 |
| 32 | 33348 | SWITCH | | 1 |
| 33 | 19204 | SCREW | BLEED ASSEMBLY | 1 |
| 34 | 19261 | WASHER | | 1 |
| 35 | 19321 | O-RING | | 1 |
| 36 | 24214 | KIT | FUEL PRESSURE SWITCH REF 27-35 | 1 |
| 37 | 14744 | SHAFT | INJECTION PUMP DRIVE | 1 |
| 38 | 12402 | GASKET | INJECTION PUMP TO BLOCK | 1 |

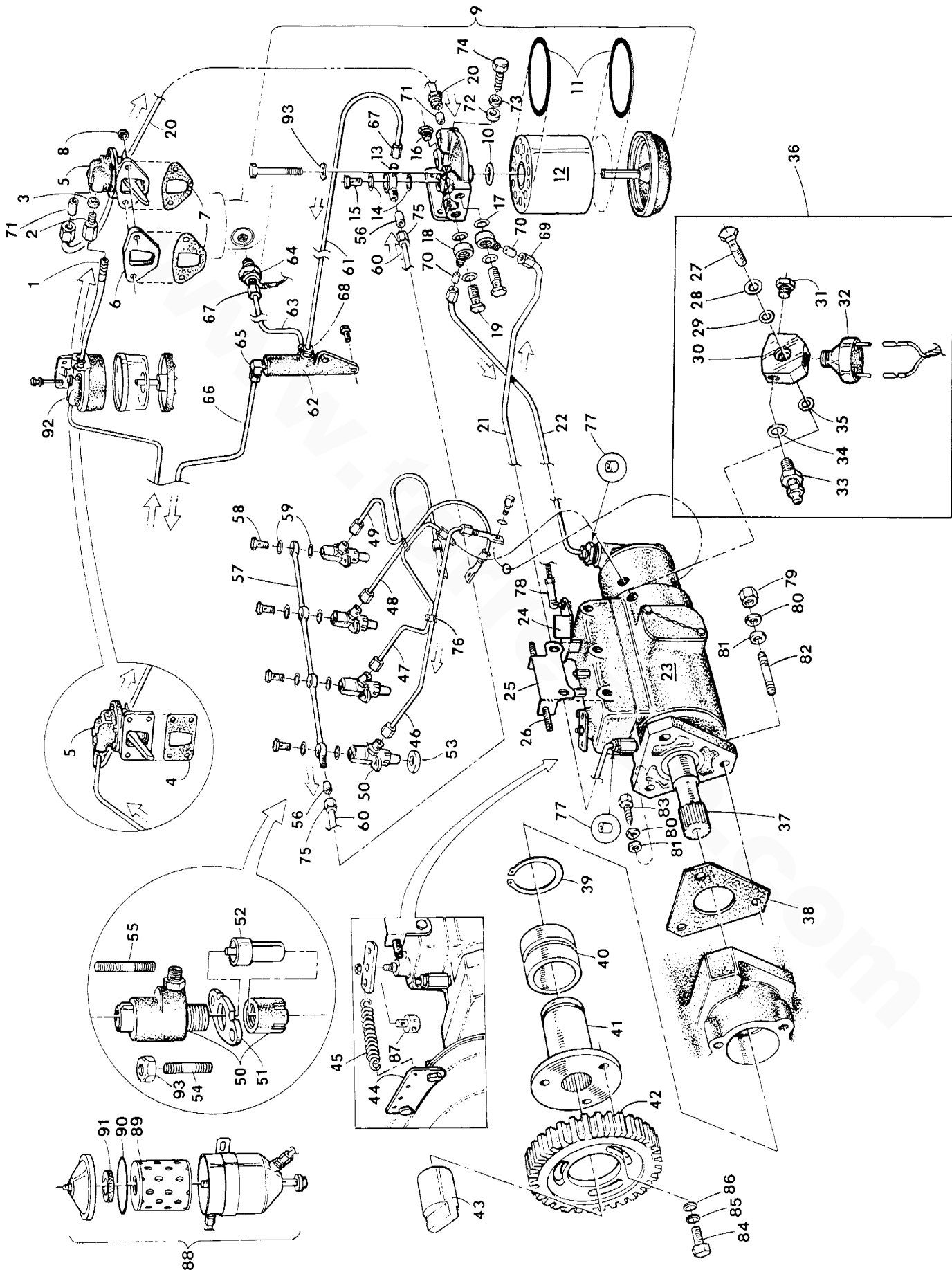
WESTERBEKE 40 - FUEL SYSTEM



WESTERBEKE 40 - FUEL SYSTEM

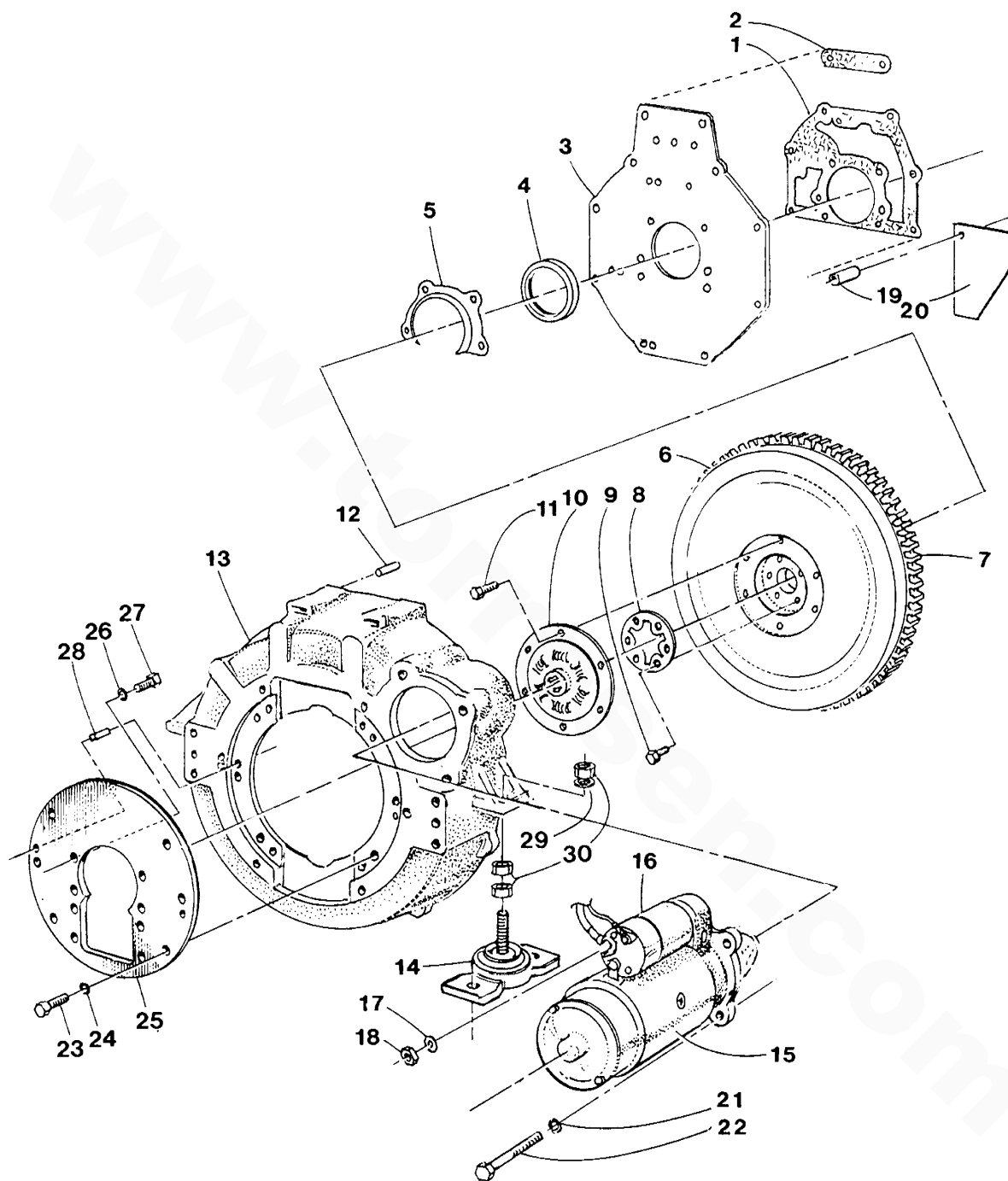
| REF | PN | NAME | REMARKS | QUAN |
|-------|-------|-----------|------------------------------------|------|
| 39- 1 | 12364 | CIRCLIP | HUB 12632 | 1 |
| 39- 2 | 31323 | CIRCLIP | HUB 20004 | 1 |
| 40- 1 | 12332 | BEARING | HUB 12632 | 1 |
| 40- 2 | 31324 | BEARING | ASSEMBLY-HUB 20004 | 1 |
| 40- 3 | 31322 | BUSHING | HUB 20004 | 1 |
| 41- 1 | 12632 | HUB | DRIVE TO 107U46015 | 1 |
| 41- 2 | 20004 | HUB | DRIVE FROM 107U46016 | 1 |
| 42 | 19989 | GEAR | INJECTION PUMP DRIVE | 1 |
| 43- 1 | 12614 | SHAFT | SEA WATER PUMP DRIVE | 1 |
| 43- 2 | 23764 | SHAFT | SEA WATER PUMP DRIVE 0.001 OS | 1 |
| 44 | 19944 | BRACKET | STOP LEVER SPRING | 1 |
| 45 | 14674 | SPRING | STOP LEVER | 1 |
| 46- 1 | 14750 | LINE | INJECTOR 1 4-99 HYD PUMP | 1 |
| 46- 2 | 14769 | LINE | INJECTOR 1 4-95 MECH PUMP | 1 |
| 46- 3 | 14730 | LINE | INJECTOR 1 4-107 HYD PUMP | 1 |
| 46- 4 | 12641 | LINE | INJECTOR 1 MECH PUMP 107-108-ED | 1 |
| 47- 1 | 14751 | LINE | INJECTOR 2 4-99 HYD PUMP | 1 |
| 47- 2 | 14770 | LINE | INJECTOR 2 4-99 MECH PUMP | 1 |
| 47- 3 | 14729 | LINE | INJECTOR 2 4-107 HYD PUMP | 1 |
| 47- 4 | 12645 | LINE | INJECTOR 2 MECH PUMP 107-108-ED | 1 |
| 48- 1 | 14752 | LINE | INJECTOR 3 4-99 HYD PUMP | 1 |
| 48- 2 | 14771 | LINE | INJECTOR 3 4-99 MECH PUMP | 1 |
| 48- 3 | 14727 | LINE | INJECTOR 3 4-107 HYD PUMP | 1 |
| 48- 4 | 12646 | LINE | INJECTOR 3 MECH PUMP 107-108-ED | 1 |
| 49- 1 | 14749 | LINE | INJECTOR 4 4-99 HYD PUMP | 1 |
| 49- 2 | 14772 | LINE | INJECTOR 4 4-99 MECH PUMP | 1 |
| 49- 3 | 14728 | LINE | INJECTOR 4-107 HYD PUMP | 1 |
| 49- 4 | 12647 | LINE | INJECTOR 4 MECH PUMP 107-108-ED | 1 |
| 50- 1 | 11701 | INJECTOR | FUEL TO SEPT 1985 | 4 |
| 50- 2 | 35374 | INJECTOR | FUEL FROM SEPT 1985 | 4 |
| 51 | 12653 | FLANGE | INJECTOR MOUNTING | 4 |
| 52- 1 | 12694 | NOZZLE | INJECTOR 11701 BG | 4 |
| 52- 2 | 35375 | NOZZLE | INJECTOR 35374 GY | 4 |
| 53 | 11945 | WASHER | | 4 |
| 54 | 12495 | STUD | INJECTOR-SHORT | 4 |
| 55 | 12501 | STUD | INJECTOR-LONG | 4 |
| 56- 1 | 19500 | FERRULE | RUBBER-FUEL LINE | 2 |
| 56- 2 | 13343 | FERRULE | BRASS-COMPRESSION | 2 |
| 57 | 13517 | LINE | INJECTOR RETURN | 1 |
| 58 | 11935 | BOLT | BANJO | 4 |
| 59 | 11943 | WASHER | BANJO M8 | 8 |
| 60- 1 | 19510 | LINE | INJECTOR RETURN TO FILTER 19509 | 1 |
| 60- 2 | 13518 | LINE | INJECTOR RETURN TO FILTER 12571 | 1 |
| 61 | 15197 | LINE | FILTER TO STANDPIPE | 1 |
| 62- 1 | 11014 | STANDPIPE | | 1 |
| 62- 2 | 13755 | BRACKET | RAISES STANDPIPE TO CLEAR L-N ALTR | 1 |
| 63 | 23612 | LINE | STANDPIPE TO HEATER | 1 |
| 64 | 11530 | HEATER | MANIFOLD 12VDC | 1 |
| 65 | 13345 | ELBOW | 1/8NPT MALE TO 3/16 COMPRESSION | 1 |

WESTERBEKE 40 - FUEL SYSTEM



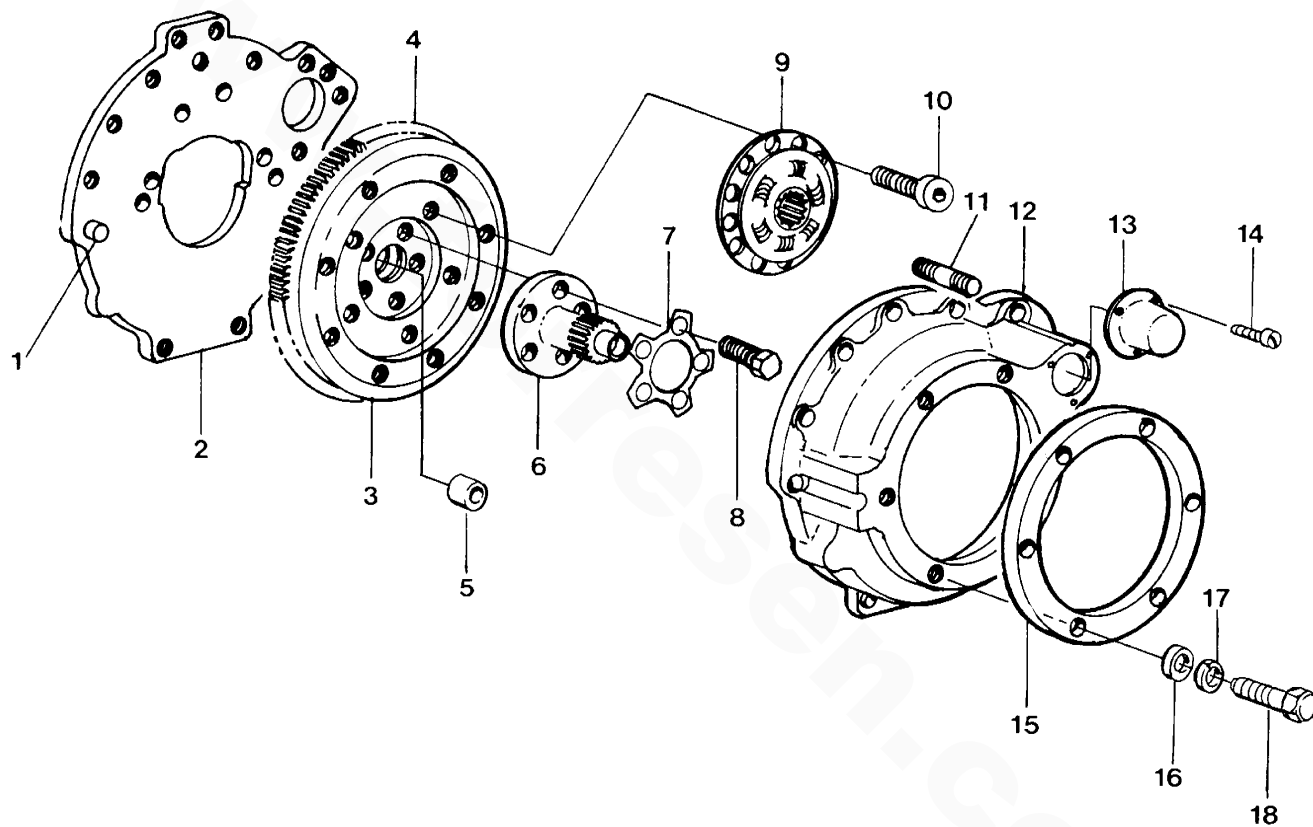
WESTERBEKE 40 - FUEL SYSTEM

| REF | PN | NAME | REMARKS | QUAN |
|-------|-------|------------|--|------|
| 66 | 34857 | HOSE | FUEL RETURN | 1 |
| 67- 1 | 13343 | FERRULE | COMPRESSION 3/16 | 2 |
| 67- 2 | 13344 | NUT | COMPRESSION 3/16 | 2 |
| 68 | 13346 | CONNECTOR | 1/8NPT MALE TO 3/16 COMPRESSION | 2 |
| 69 | 16676 | NUT | COMPRESSION 1/4 | 2 |
| 70 | 19501 | FERRULE | FUEL LINE | 2 |
| 71 | 11934 | FERRULE | FUEL LINE | 2 |
| 72 | 31765 | WASHER | FLAT 3/8 | 2 |
| 73 | 31764 | LOCKWASHER | 3/8 | 2 |
| 74 | 31630 | CAPSCREW | 3/8NF X 1 | 2 |
| 75 | 13344 | NUT | COMPRESSION 3/16 | 2 |
| 76- 1 | 23920 | CLAMP | FUEL LINE | 4 |
| 76- 2 | | SCREW | 10-32 X 7/8 RH | 2 |
| 76- 3 | | NUT | 10-32 LOCKING | 2 |
| 77 | 11934 | FERRULE | | 2 |
| 78 | 19364 | BALL JOINT | THROTTLE CABLE | 1 |
| 79 | 31760 | NUT | 5/16NF | 2 |
| 80 | 31758 | LOCKWASHER | 5/16 | 3 |
| 81 | 31759 | WASHER | FLAT 5/16 | 3 |
| 82 | 12497 | STUD | | 2 |
| 83 | 12561 | CAPSCREW | 5/16NF X1-1/4 SOCKET HEAD FULLY THREADED | 1 |
| 84 | 31578 | CAPSCREW | 5/16NF X 3/4 | 3 |
| 85 | 31758 | LOCKWASHER | 5/16 | 3 |
| 86 | 31759 | WASHER | FLAT 5/16 | 3 |
| 87 | 19370 | PIVOT | FUEL SHUT-OFF LEVER | 1 |
| 88 | 12571 | FILTER | FUEL *AC* CANISTER STYLE | |
| 89 | 11703 | ELEMENT | FUEL | 1 |
| 90 | | GASKET | INCLUDED IN REF 89 | 1 |
| 91 | | GASKET | INCLUDED IN REF 89 | 1 |
| 92- 1 | 11598 | FILTER | PRIMARY FUEL-NLA | 1 |
| 92- 2 | 32974 | FILTER | SEDIMENTER/WATER TRAP | 1 |
| 93 | 19442 | WASHER | | 1 |



WESTERBEKE 40 - COMMON BACK END

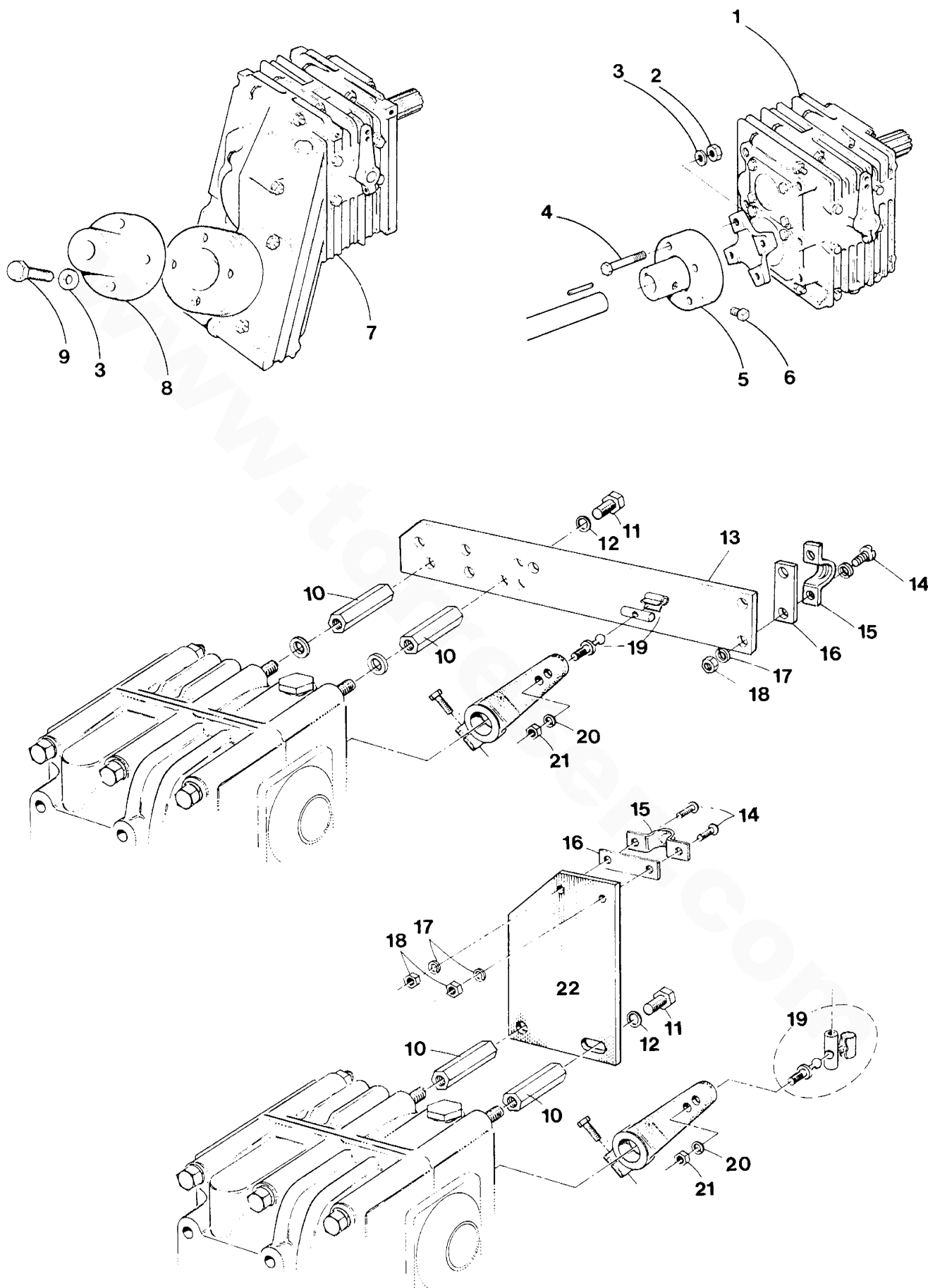
| REF | PN | NAME | REMARKS | QUAN |
|-------|-------|------------|---|------|
| | | NOTE | ABSENCE OF A LISTING INDICATES REF NOT USED | |
| 3 | 23948 | BACKPLATE | W40,W52,W58 | 1 |
| 6 | 24723 | FLYWHEEL | WITH RING GEAR-W40 | 1 |
| 7 | 23579 | GEAR | RJNG | 1 |
| 8 | 14720 | TABWASHER | W40 | 1 |
| 9 | | BOLT | FLYWHEEL-W40-7/16NF X 1-1/8 GR-5 | 5 |
| 10- 1 | 11618 | DAMPER | HYDRAULIC,HBW20,HBW220 | 1 |
| 10- 2 | 19398 | DAMPER | HBW10,50,100,150,150V | 1 |
| 10- 3 | 30940 | DAMPER | BW7 | 1 |
| 11 | 24778 | CAPSCREW | DAMPER TO FLYWHEEL | 5 |
| 12 | 19039 | DOWEL | HOUSING TO BACKPLATE | 2 |
| 13- 1 | 32260 | HOUSING | FLYWHEEL-MOUNT 18-20-22.5IN CENTERS | 1 |
| 13- 2 | 23606 | HOUSING | FLYWHEEL-TO JUNE 82-OBS-USE 32260 | 1 |
| 14 | 32013 | ISOLATOR | REAR-W30,W40,W50,W52 | 2 |
| 15 | 16762 | MOTOR | STARTER INCLUDING SOLENOID | 1 |
| 16- 1 | 23338 | SOLENOID | STARTER MOTOR 3/8NC STUD TO SEPT 82 | 1 |
| 16- 2 | 33741 | SOLENOID | STARTER MOTOR M10 | 1 |
| 17- 1 | 16502 | LOCKWASHER | BRASS-SOLENOID BATTERY TERMINAL 3/8 | 1 |
| 17- 2 | 34575 | LOCKWASHER | M10 DIN 127B BRONZE | 1 |
| 18- 1 | 16091 | NUT | BRASS-SOLENOID BATTERY TERMINAL 3/8NC | 1 |
| 18- 2 | 32438 | NUT | M10 DIN 934 | 1 |
| 19 | 21722 | SPACER | BACKPLATE TO CIRCUIT BREAKER BRACKET | 2 |
| 20 | 24065 | BRACKET | CIRCUIT BREAKER | 1 |
| 21 | 31764 | LOCKWASHER | 3/8 | 3 |
| 22 | 31606 | CAPSCREW | 3/8NC X 1-1/4 | 3 |
| 23 | 31655 | CAPSCREW | 7/16NC X 1 | 6 |
| 24 | 31770 | LOCKWASHER | 7/16 | 6 |
| 25- 1 | 31267 | ADAPTER | HBW10,50,100,150,BW7 | 1 |
| 25- 2 | 30063 | ADAPTER | HBW150V | 1 |
| 25- 3 | 31256 | ADAPTER | HBW20,HBW220 | 1 |
| 25- 4 | 19309 | ADAPTER | HBW10,50,100,150-TO NOV 81-NO DOWELS | 1 |
| 26- 1 | 31788 | LOCKWASHER | M 8 DIN 137B-HBW-BW | 6 |
| 26- 2 | 31790 | LOCKWASHER | M10 DIN 137B-HBW150V | 6 |
| 27- 1 | 20650 | CAPSCREW | M 8 X 10 DIN 933-HBW10,50,100,150 | 6 |
| 27- 2 | 17196 | CAPSCREW | M 8 X 20 DIN 933-BW7 | 6 |
| 27- 3 | 13630 | CAPSCREW | M 8 X 25 DIN 933-HBW20,HBW220 | 6 |
| 27- 4 | 13629 | CAPSCREW | M10 X 25 DIN 933-HBW150V | 6 |
| 28 | 19039 | DOWEL | ALIGN 31267 ADAPTER TO HOUSING | 2 |
| 29 | 31827 | LOCKWASHER | 5/8 | 2 |
| 30 | 31826 | NUT | 5/8NF JAM | 6 |



WESTERBEKE 40 - BACK END TO AJG 1979

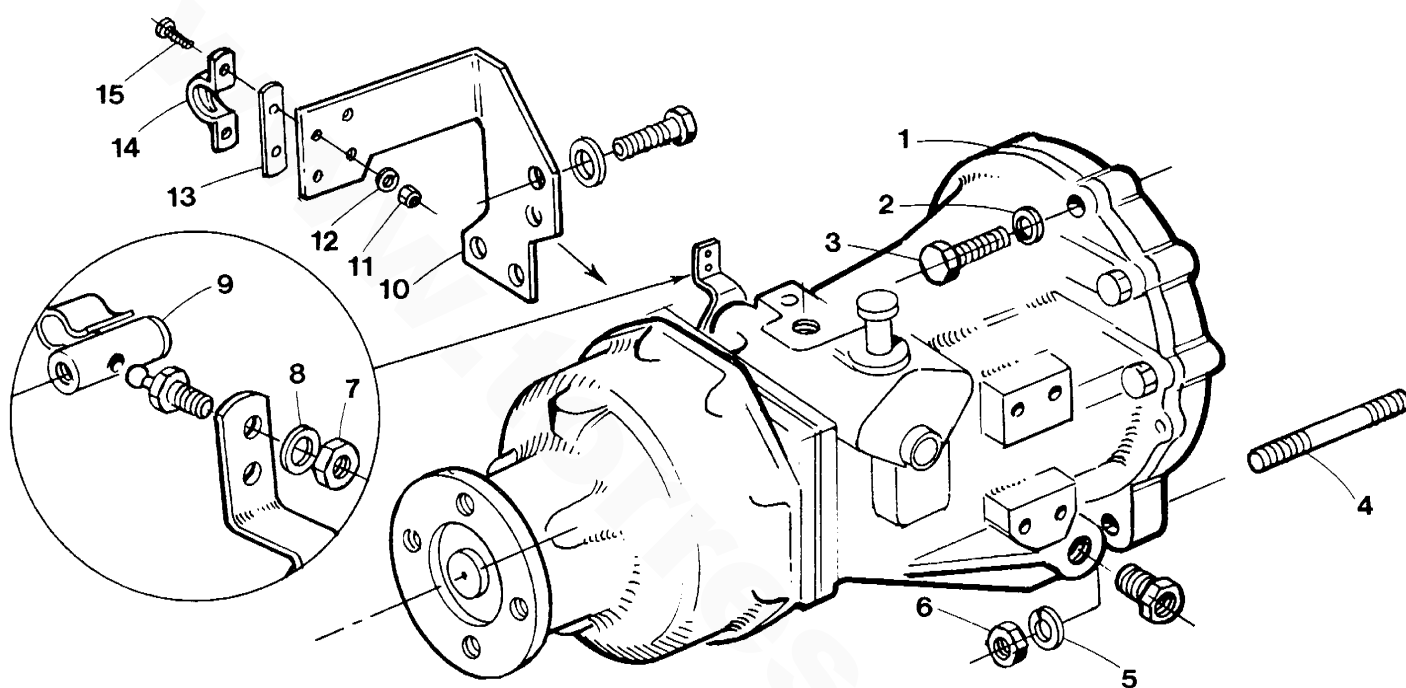
| REF | PN | NAME | REMARKS | QUAN |
|-------|-------|------------|--|------|
| 1 | 11498 | DOWEL | BACKPLATE TO HOUSING | 2 |
| 2- 1 | 14074 | BACKPLATE | 5/8 THICK-SA1 & HYDRAULIC TRANS-NLA | 1 |
| 2- 2 | 14099 | BACKPLATE | 5/8 THICK-RB TRANSMISSION-NLA | 1 |
| 2- 3 | 14128 | BACKPLATE | 1/4 THICK | 1 |
| 3 | 24064 | FLYWHEEL | WITH RING GEAR | 1 |
| 4 | 13832 | GEAR | RING | 1 |
| 5 | 16073 | BUSHING | SUPPORT SA0 SHAFT IN FLYWHEEL | 1 |
| 6 | 14311 | SHAFT | FLYWHEEL TO SA1 TRANSMISSION | 1 |
| 7 | 14720 | TABWASHER | FLYWHEEL BOLTS | 1 |
| 8 | | CAPSCREW | 7/16NF | 5 |
| 9- 1 | 11618 | DAMPER | HYDRAULIC TRANSMISSION | 1 |
| 9- 2 | 13880 | DAMPER | RB TRANSMISSION | 1 |
| 9- 3 | 19398 | DAMPER | HBW TRANSMISSION | 1 |
| 10 | 24778 | SCREW | DAMPER TO FLYWHEEL | 5 |
| 11- 1 | 12506 | STUD | 3/8NC X 3/8NF X 1-1/4 STARTER | 1 |
| 11- 2 | 12505 | STUD | 3/8NC X 3/8NF X 1-9/16 STARTER | 1 |
| 12- 1 | 14075 | HOUSING | FOR 14074 PLATE-SA1 TRANSMISSION-NLA | 1 |
| 12- 2 | 15032 | HOUSING | FOR 14099 PLATE-RB TRANSMISSION | 1 |
| 12- 3 | 15044 | HOUSING | FOR 14128 PLATE-SA1 TRANSMISSION-NLA | 1 |
| 12- 4 | 15045 | HOUSING | FOR 14128 PLATE-HYD. TRANSMISSION-NLA | 1 |
| 12- 5 | 15046 | HOUSING | FOR 14128 PLATE-RB TRANSMISSION-NLA | 1 |
| 12- 6 | 16076 | HOUSING | FOR 14128 PLATE-UNIVERSAL FROM 1975 | 1 |
| 13 | 12618 | COVER | STARTER PINION | 1 |
| 14 | 31871 | SCREW | 10-32 X 3/8 | 3 |
| 15 | 11023 | ADAPTER | SA1 HOUSING TO ACCEPT HYDRAULIC TRANS. | 1 |
| 16 | 31765 | WASHER | FLAT 3/8 | 6 |
| 17 | 31764 | LOCKWASHER | 3/8 | 6 |
| 18 | 31606 | CAPSCREW | 3/8NC X 1-1/4 | 6 |

WESTERBEKE 40 - HBW TRANSMISSION



WESTERBEKE 40 - HBW TRANSMISSION

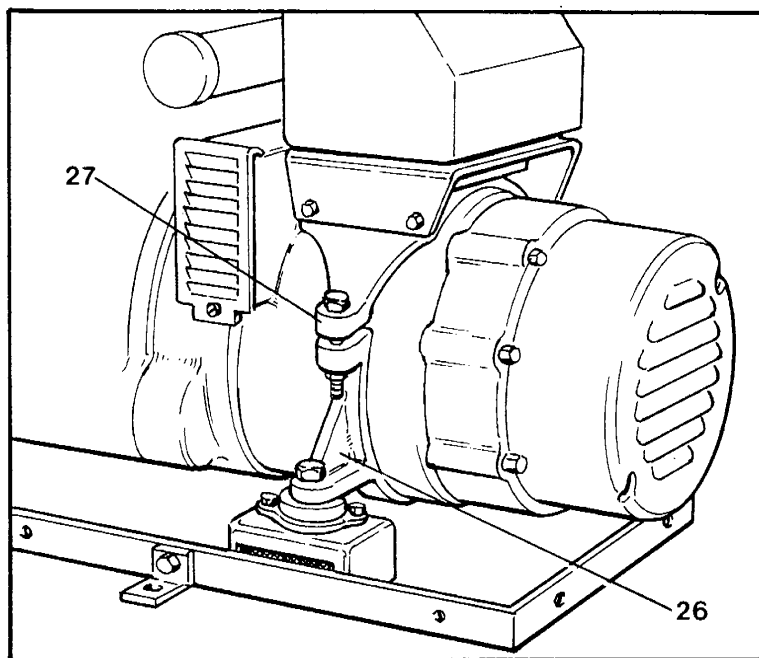
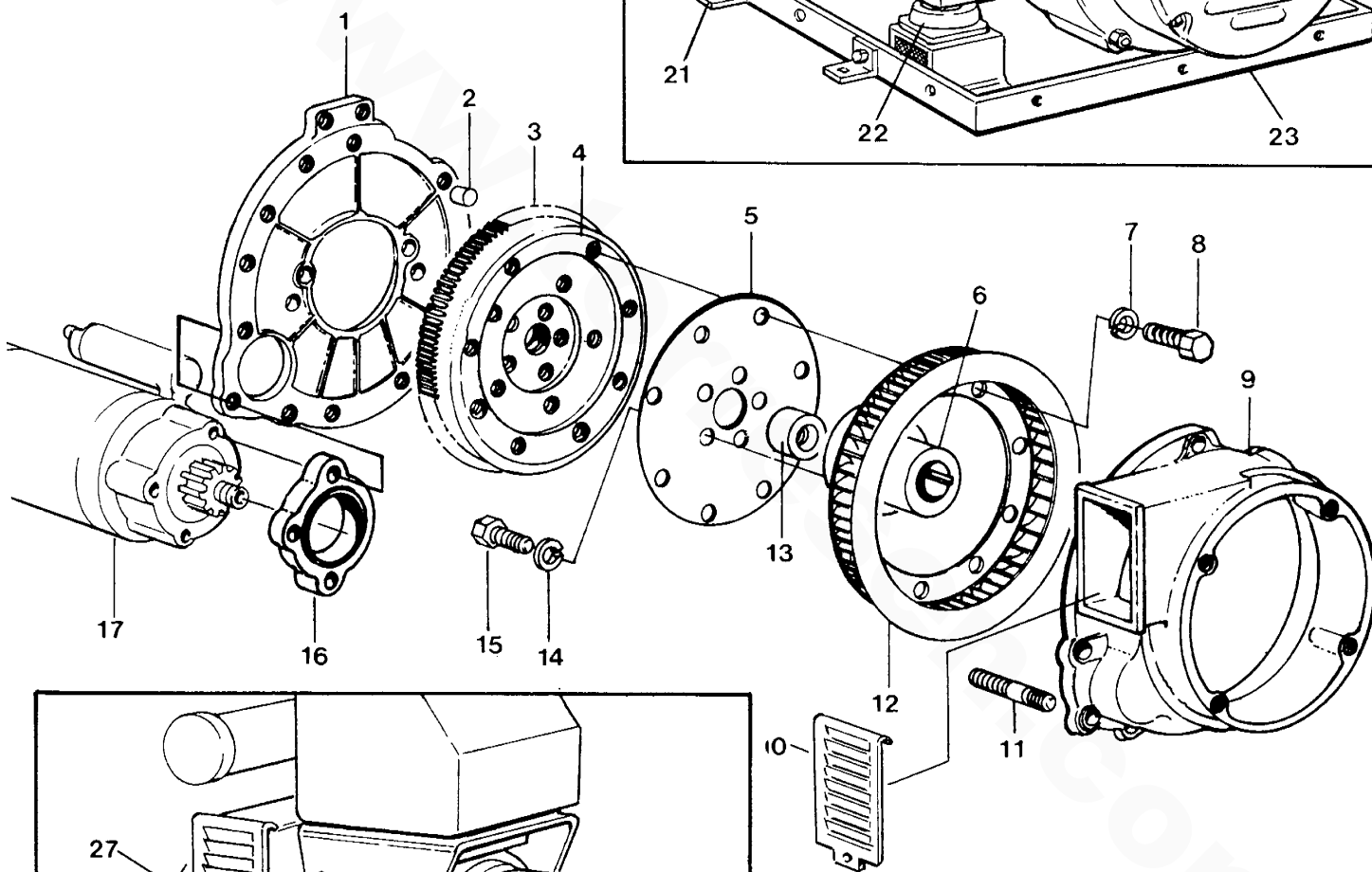
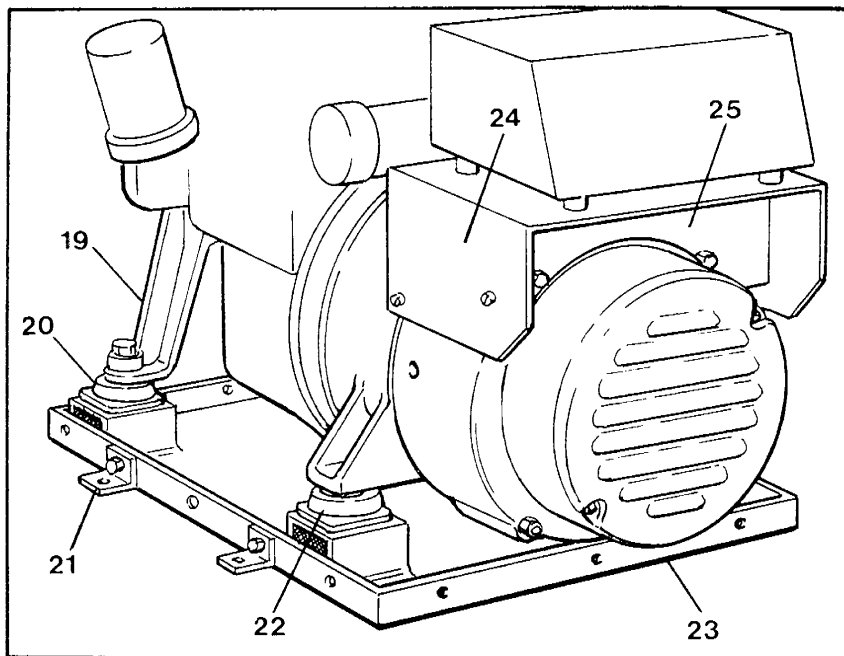
| REF | PN | NAME | REMARKS | QUAN |
|------|-------|------------|-------------------------|------|
| 1- 1 | 30140 | HBW GEAR | MODEL 100 1.5 TO 1 | 1 |
| 1- 2 | 24630 | HBW GEAR | MODEL 100 1.8 TO 1 | 1 |
| 1- 3 | 30049 | HBW GEAR | MODEL 150 2.6 TO 1 | 1 |
| 2 | 24950 | NUT | M10 X 1.25 DIN 934 | 4 |
| 3 | 19262 | LOCKWASHER | M10 DIN 127 | 4 |
| 4 | 31228 | CAPSCREW | M10 X 1.25 X 30 DIN 961 | 4 |
| 5- 1 | 23679 | COUPLING | 4 IN DIA-BORE 0.75 | 1 |
| 5- 2 | 23680 | COUPLING | 4 IN DIA-BORE 0.875 | 1 |
| 5- 3 | 23681 | COUPLING | 4 IN DIA-BORE 1.0 | 1 |
| 5- 4 | 23682 | COUPLING | 4 IN DIA-BORE 1.125 | 1 |
| 5- 5 | 23683 | COUPLING | 4 IN DIA-BORE 1.25 | 1 |
| 5- 6 | 23684 | COUPLING | 4 IN DIA-BORE 1.375 | 1 |
| 5- 7 | 23685 | COUPLING | 4 IN DIA-BORE 1.5 | 1 |
| 5- 8 | 23686 | COUPLING | 5 IN DIA-BORE 1.0 | 1 |
| 5- 9 | 23687 | COUPLING | 5 IN DIA-BORE 1.125 | 1 |
| 5-10 | 23688 | COUPLING | 5 IN DIA-BORE 1.25 | 1 |
| 5-11 | 23689 | COUPLING | 5 IN DIA-BORE 1.375 | 1 |
| 5-12 | 23690 | COUPLING | 5 IN DIA-BORE 1.5 | 1 |
| 6- 1 | 23450 | SETSCREW | COUPLING 7/16NC X 1 | 2 |
| 6- 2 | 23651 | SETSCREW | COUPLING 3/8NC X 3/4 | 2 |
| 6- 3 | 23652 | SETSCREW | COUPLING 3/8NC X 1 | 2 |
| 7- 1 | 31249 | HBW GEAR | V-DRIVE 1.8 TO 1 | 1 |
| 7- 2 | 30048 | HBW GEAR | V-DRIVE 2.1 TO 1 | 1 |
| 7- 3 | 31250 | HBW GEAR | V-DRIVE 3.0 TO 1 | 1 |
| 8- 1 | 23706 | COUPLING | HBW V-DRIVE-BORE 0.75 | 1 |
| 8- 2 | 23707 | COUPLING | HBW V-DRIVE-BORE 0.875 | 1 |
| 8- 3 | 23708 | COUPLING | HBW V-DRIVE-BORE 1.0 | 1 |
| 8- 4 | 23709 | COUPLING | HBW V-DRIVE-BORE 1.125 | 1 |
| 8- 5 | 23710 | COUPLING | HBW V-DRIVE-BORE 1.25 | 1 |
| 8- 6 | 23711 | COUPLING | HBW V-DRIVE-BORE 1.375 | 1 |
| 8- 7 | 23712 | COUPLING | HBW V-DRIVE-BORE 1.5 | 1 |
| 9 | 13629 | CAPSCREW | M10 X 25 DIN 933 | 4 |
| 10 | 30756 | NUT | PILLAR-M8 | 2 |
| 11 | 13630 | CAPSCREW | M 8 X 25 DIN 933 | 2 |
| 12 | 31786 | LOCKWASHER | M 8 DIN 127 | 2 |
| 13 | 32161 | BRACKET | SHIFT CABLE-REAR ENTRY | 1 |
| 14 | 31873 | SCREW | 10-32 X 5/8 | 2 |
| 15 | 13325 | CLAMP | CABLE | 1 |
| 16 | 13970 | SHIM | CABLE CLAMP | 1 |
| 17 | 31849 | LOCKWASHER | 10 | 2 |
| 18 | 31847 | NUT | 10-32 | 2 |
| 19 | 33482 | BALL JOINT | | 1 |
| 20 | 31752 | LOCKWASHER | 1/4 | 1 |
| 21 | 31754 | NUT | 1/4NF | 1 |
| 22 | 30181 | BRACKET | SHIFT CABLE-TOP ENTRY | 1 |



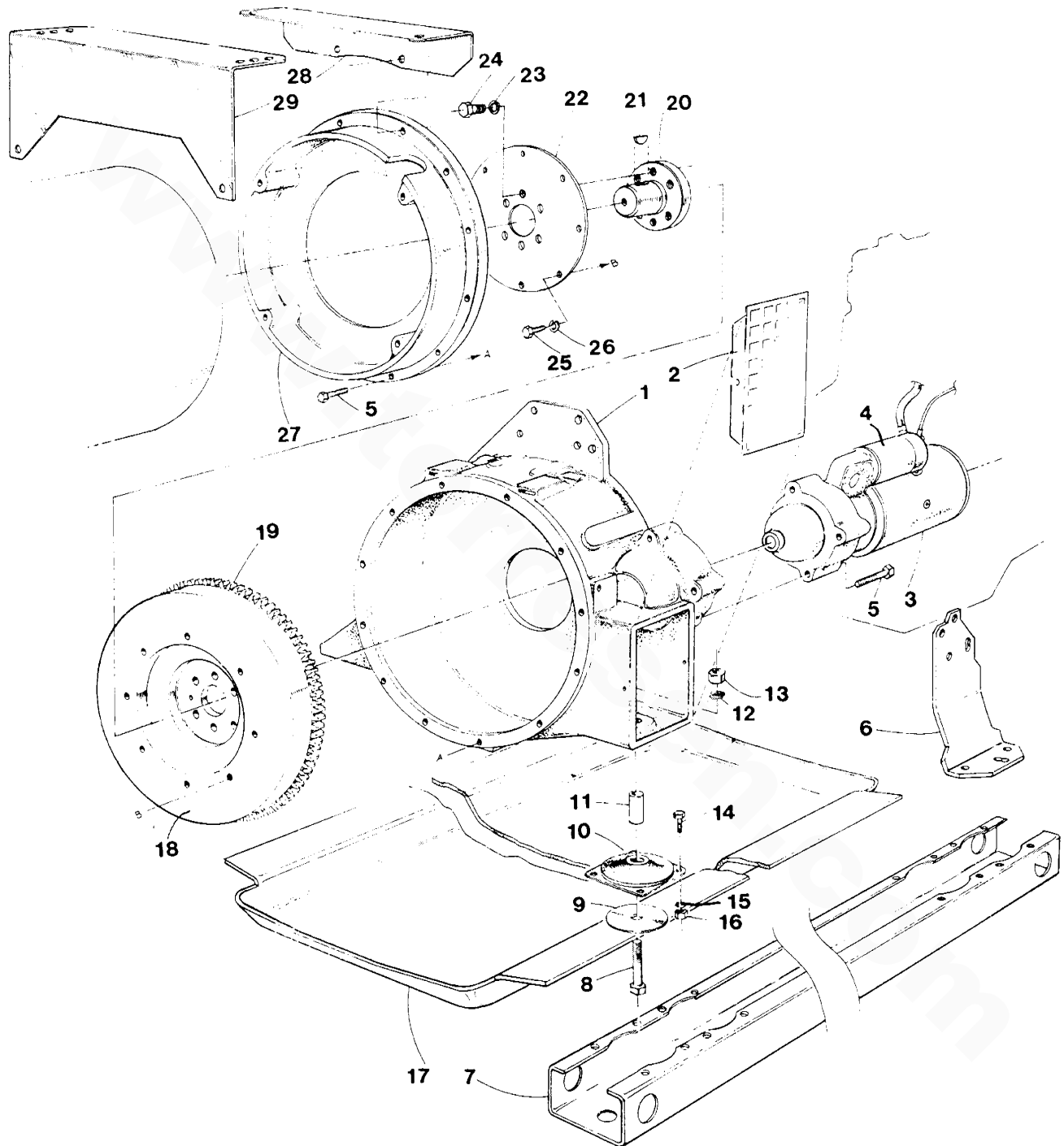
WESTERBEKE 40 - WARNER TRANSMISSION

| REF | PN | NAME | REMARKS | QUAN |
|------|-------|------------|------------------------------|------|
| 1- 1 | 11630 | GEAR | WARNER HYDRAULIC DD | 1 |
| 1- 2 | 11631 | GEAR | WARNER HYDRAULIC 1.5 | 1 |
| 1- 3 | 11635 | GEAR | WARNER HYDRAULIC 1.9 OPP ROT | 1 |
| 1- 4 | 11632 | GEAR | WARNER HYDRAULIC 2.0 | 1 |
| 1- 5 | 11633 | GEAR | WARNER HYDRAULIC 2.5 | 1 |
| 1- 6 | 11634 | GEAR | WARNER HYDRAULIC 3.0 | 1 |
| 2 | 31770 | LOCKWASHER | 7/16 | 4 |
| 3 | 31656 | CAPSCREW | 7/16NC X 1-1/4 | 4 |
| 4 | 23467 | STUD | 7/16NC X 4 | 2 |
| 5 | 31770 | LOCKWASHER | 7/16 | 2 |
| 6 | 31768 | NUT | 7/16NC | 2 |
| 7 | 31754 | NUT | 1/4NF | 1 |
| 8 | 31752 | LOCKWASHER | 1/4 | 1 |
| 9 | 33482 | BALL JOINT | | 1 |
| 10 | 32315 | BRACKET | SHIFT CABLE | 1 |
| 11 | 31847 | NUT | 10-32 | 2 |
| 12 | 31849 | LOCKWASHER | 10 | 2 |
| 13 | 13870 | SHIM | CABLE CLAMP | 1 |
| 14 | 13325 | CLAMP | CABLE | 1 |
| 15 | 31873 | SCREW | 10-32 X 5/8 | 2 |
| 16 | | COUPLING | SEE REF 5 ON PRIOR PAGE | 1 |

WESTERBEKE 10-15KW GENERATOR BACK END TO AUG 1979

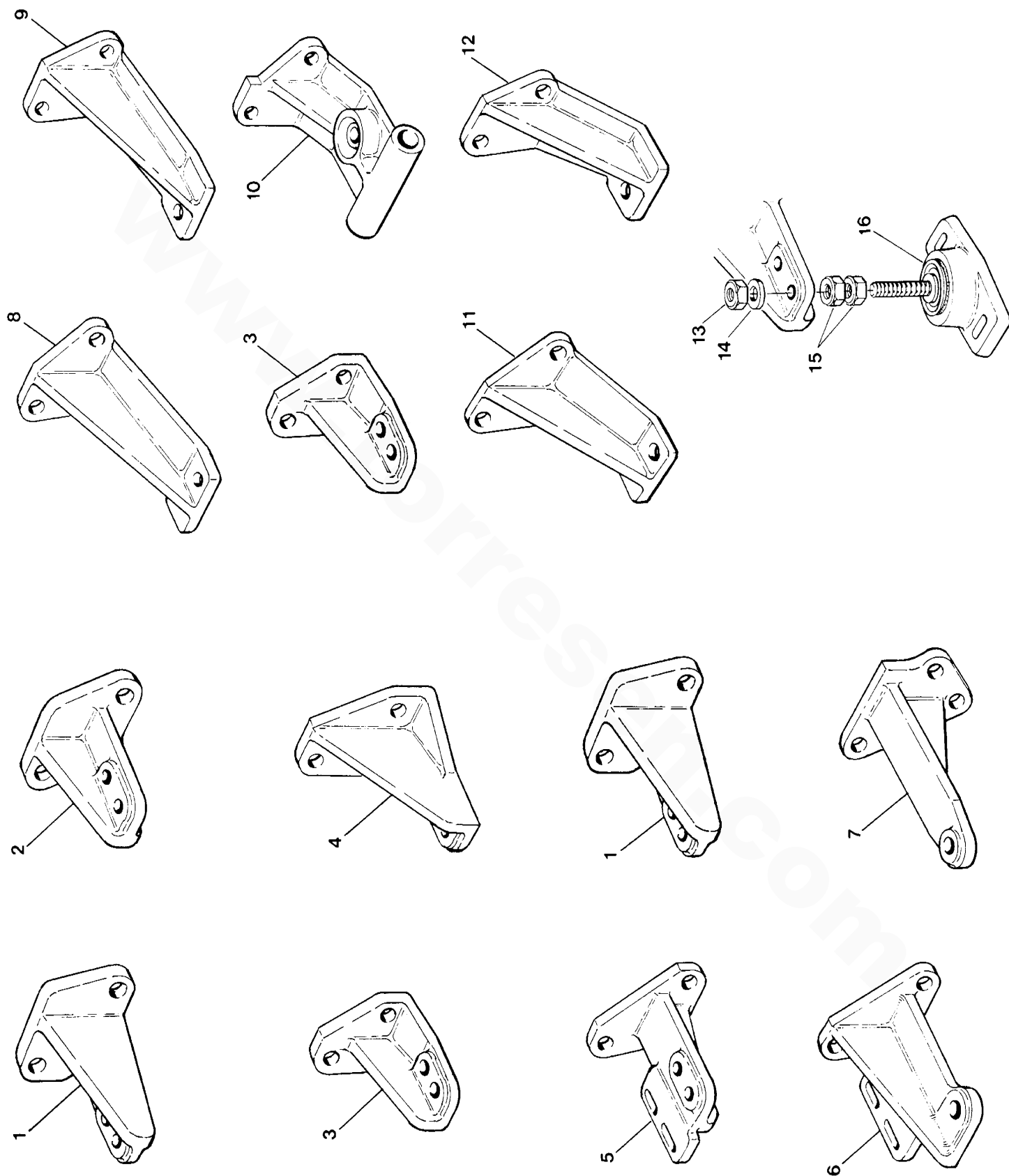


| REF | PN | NAME | REMARKS | QUAN |
|-------|-------|------------|---------------------------------------|------|
| 1- 1 | 14032 | BACKPLATE | JC SERIES | 1 |
| 1- 2 | 20698 | BACKPLATE | YD SERIES | 1 |
| 2 | 11498 | DOWEL | | 4 |
| 3 | 13832 | GEAR | RING | 1 |
| 4 | 24064 | FLYWHEEL | WITH RING GEAR | 1 |
| 5 | 12004 | PLATE | DRIVE | 1 |
| 6- 1 | 12070 | COUPLING | DRIVE HUB JC SERIES | 1 |
| 6- 2 | 20944 | COUPLING | DRIVE HUB YD SERIES | 1 |
| 7 | 31758 | LOCKWASHER | 5/16 | 8 |
| 8 | 31553 | CAPSCREW | 5/16NC X 3/4 | 8 |
| 9- 1 | 15011 | HOUSING | JC | 1 |
| 9- 2 | 23556 | HOUSING | YD | 1 |
| 10 | 11553 | GUARD | AIR DUCT IN | 1 |
| 11 | 11137 | STUD | STARTER 3/8NC X 3-5/8 JC SERIES | 3 |
| 12- 1 | 12001 | FAN | JC SERIES | 1 |
| 12- 2 | 23610 | BAFFLE | YD SERIES | 1 |
| 13 | 11086 | WASHER | JC SERIES | 1 |
| 14 | 31770 | LOCKWASHER | 7/16 | 6 |
| 15 | 31678 | CAPSCREW | 7/16NF X 3/4 | 6 |
| 16- 1 | 13062 | SPACER | STARTER JC SERIES | 1 |
| 16- 2 | 23952 | SPACER | STARTER YD SERIES | 1 |
| 16- 3 | 21688 | GASKET | | 1 |
| 17- 1 | 11488 | MOTOR | STARTER JC SERIES | 1 |
| 17- 2 | 17939 | MOTOR | STARTER JC SERIES | 1 |
| 17- 3 | 23953 | MOTOR | STARTER YD SERIES | 1 |
| 18 | 13142 | MOUNT | FRONT RIGHT | 1 |
| 19- 1 | 13143 | MOUNT | FRONT LEFT | 1 |
| 19- 2 | 13003 | MOUNT | FRONT LEFT-BELT DRIVEN SEA WATER PUMP | 1 |
| 20- 1 | 11523 | ISOLATOR | FRONT JC SERIES | 2 |
| 20- 2 | 21529 | ISOLATOR | FRONT YD SERIES | 2 |
| 21 | 11144 | BRACKET | SECURE BASE | 4 |
| 22- 1 | 11524 | ISOLATOR | REAR JC SERIES | 2 |
| 22- 2 | 21530 | ISOLATOR | REAR YD SERIES | 2 |
| 23- 1 | 14047 | BASE | JC SERIES | 1 |
| 23- 2 | 21503 | BASE | YD SERIES | 1 |
| 24 | 21888 | BRACKET | PANEL MOUNTING YD SERIES | 1 |
| 25 | 21500 | BRACKET | PANEL SUPPORT YD SERIES | 1 |
| 26 | 12988 | BAND | MOUNT LOWER JC SERIES | 1 |
| 27 | 12925 | BAND | MOUNT UPPER JC SERIES | 1 |



| REF | PN | NAME | REMARKS | QUAN |
|-------|-------|------------|----------------------------------|------|
| 1 | 24257 | HOUSING | FLYWHEEL-SAE-4 | 1 |
| 2 | 24783 | GUARD | AIR DUCT | 1 |
| 3 | 23553 | MOTOR | STARTER INCLUDING SOLENOID | 1 |
| 4 | 23338 | SOLENOID | STARTER MOTOR | 1 |
| 5 | 31606 | CAPSCREW | 3/8NC X 1-1/4 WITH LOCKWASHER | 15 |
| 6 | 24703 | MOUNT | FRONT | 2 |
| 7 | 24701 | RAIL | MOUNTING | 2 |
| 8- 1 | 31711 | CAPSCREW | FRONT-WPC 1/2NC X 2-1/2 | 2 |
| 8- 2 | 31715 | CAPSCREW | REAR-WPO 1/2NC X 3-1/2 | 2 |
| 9 | 24674 | WASHER | ISOLATOR CAPTIVATING | 4 |
| 10- 1 | 21529 | ISOLATOR | FRONT | 2 |
| 10- 2 | 15239 | ISOLATOR | REAR | 2 |
| 11 | 16714 | SPACER | WTO MOUNTS | 4 |
| 12- 1 | 31777 | WASHER | FLAT 1/2 | 4 |
| 12- 2 | 31776 | LOCKWASHER | 1/2 | 4 |
| 13 | 31774 | NUT | 1/2NC | 4 |
| 14 | 31553 | CAPSCREW | 5/16NC X 3/4 | 16 |
| 15- 1 | 31759 | WASHER | FLAT 5/16 | 16 |
| 15- 2 | 31758 | LOCKWASHER | 5/16 | 16 |
| 16 | 31756 | NUT | 5/16NC | 16 |
| 17 | 24675 | TRAY | DRIP | 1 |
| 18 | 24727 | FLYWHEEL | WITH RING GEAR-WPO | 1 |
| 19 | 23579 | GEAR | RING | 1 |
| 20 | 20944 | COUPLING | DRIVE | 1 |
| 21 | 21804 | KEY | WOODRUFF | 1 |
| 22 | 12004 | PLATE | DRIVE DISC | 1 |
| 23 | 31770 | LOCKWASHER | 7/16 | 6 |
| 24 | 31678 | CAPSCREW | 7/16NF X 3/4 | 6 |
| 25 | 31553 | CAPSCREW | 5/16NC X 3/4 | 8 |
| 26 | 31758 | LOCKWASHER | 5/16 | 8 |
| 27 | 23838 | ADAPTER | YD ALTERNATOR TO HOUSING | 1 |
| 28 | 24679 | BRACKET | CONTROL PANEL MOUNT-FRONT | 1 |
| 29 | 24699 | BRACKET | CONTROL PANEL MOUNT-REAR | 1 |
| 30 | 14720 | TABWASHER | FLYWHEEL-WPO | 1 |
| 31 | | BOLT | FLYWHEEL-WPO-7/16NF X 1-1/8 GR-5 | 5 |

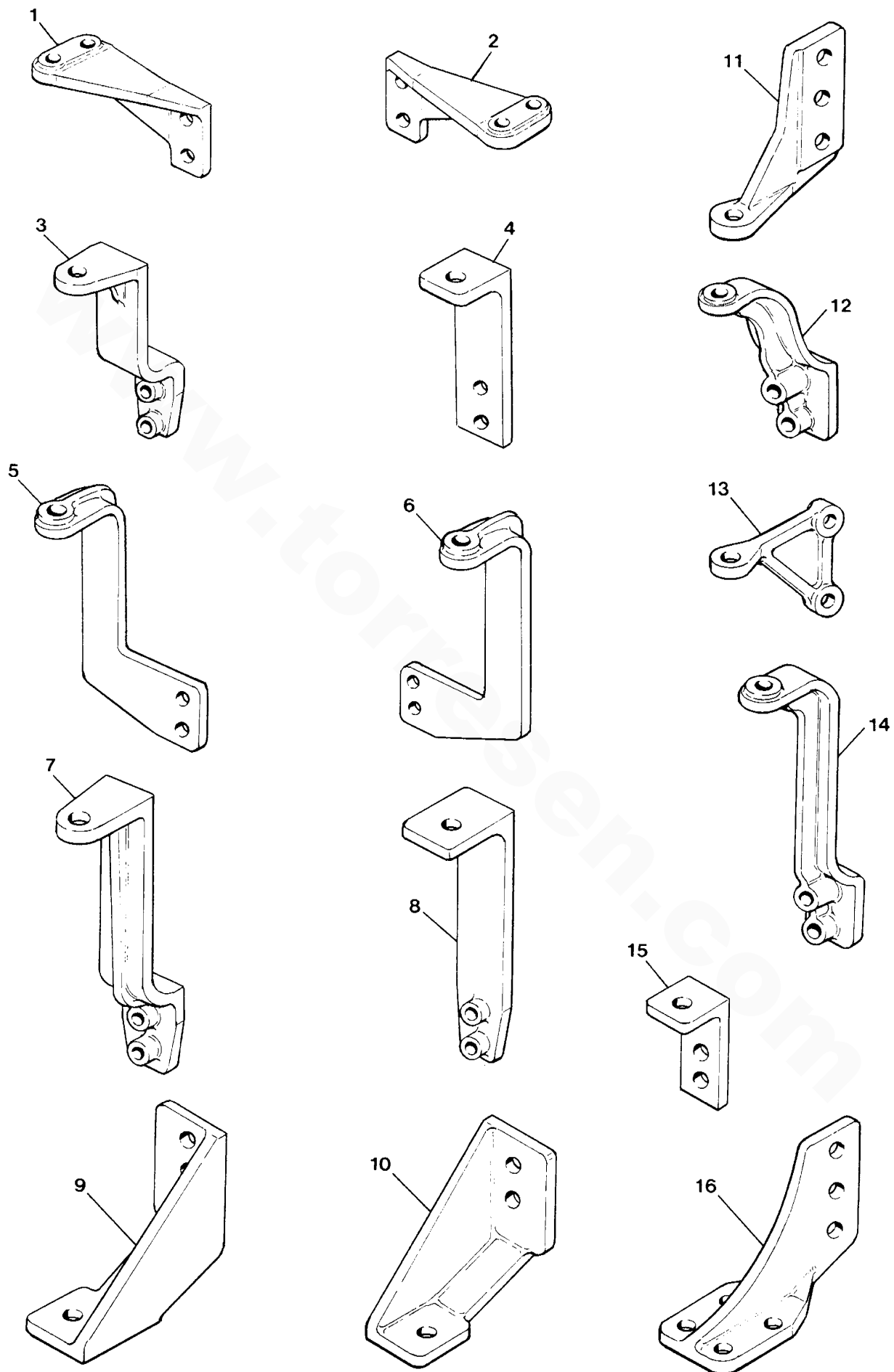
WESTERBEKE 40 - FRONT MOUNTS



WESTERBEKE 40 - FRONT MOUNTS

| REF | PN | NAME | REMARKS | QUAN |
|-----|-------|------------|-----------------------------------|------|
| 1 | 13133 | MOUNT | LEFT-STANDARD | 1 |
| 2 | 13132 | MOUNT | RIGHT-STANDARD | 1 |
| 3 | 13140 | MOUNT | LEFT-SOLID | 1 |
| 4 | 13139 | MOUNT | RIGHT-SOLID | 1 |
| 5 | 13002 | MOUNT | LEFT-BELT DRIVEN SEA WATER PUMP | 1 |
| 6 | 13027 | MOUNT | LEFT-22.5 CENTERS-BELT SEA PUMP | 1 |
| 7 | 13026 | MOUNT | RIGHT-22.5 CENTERS | 1 |
| 8 | 13137 | MOUNT | LEFT-LIFEBOAT 22.5 CENTERS | 1 |
| 9 | 13136 | MOUNT | RIGHT-LIFEBOAT 22.5 CENTERS | 1 |
| 10 | 13274 | MOUNT | RIGHT-100 AMP LN ALTERNATOR | 1 |
| 11 | 13145 | MOUNT | LEFT-LIFEBOAT 18 CENTERS | 1 |
| 12 | 13144 | MOUNT | RIGHT-LIFEBOAT 18 CENTERS | 1 |
| 13 | 31826 | NUT | 5/8NF-JAM | 2 |
| 14 | 31827 | LOCKWASHER | 5/8 | 2 |
| 15 | 31826 | NUT | 5/8NF-JAM | 4 |
| 16 | 32013 | ISOLATOR | | 2 |
| 17 | 15779 | SPACER | LEFT WITH 13133 FOR 20IN CENTERS | 1 |
| 18 | 15778 | SPACER | RIGHT WITH 13132 FOR 20IN CENTERS | 1 |

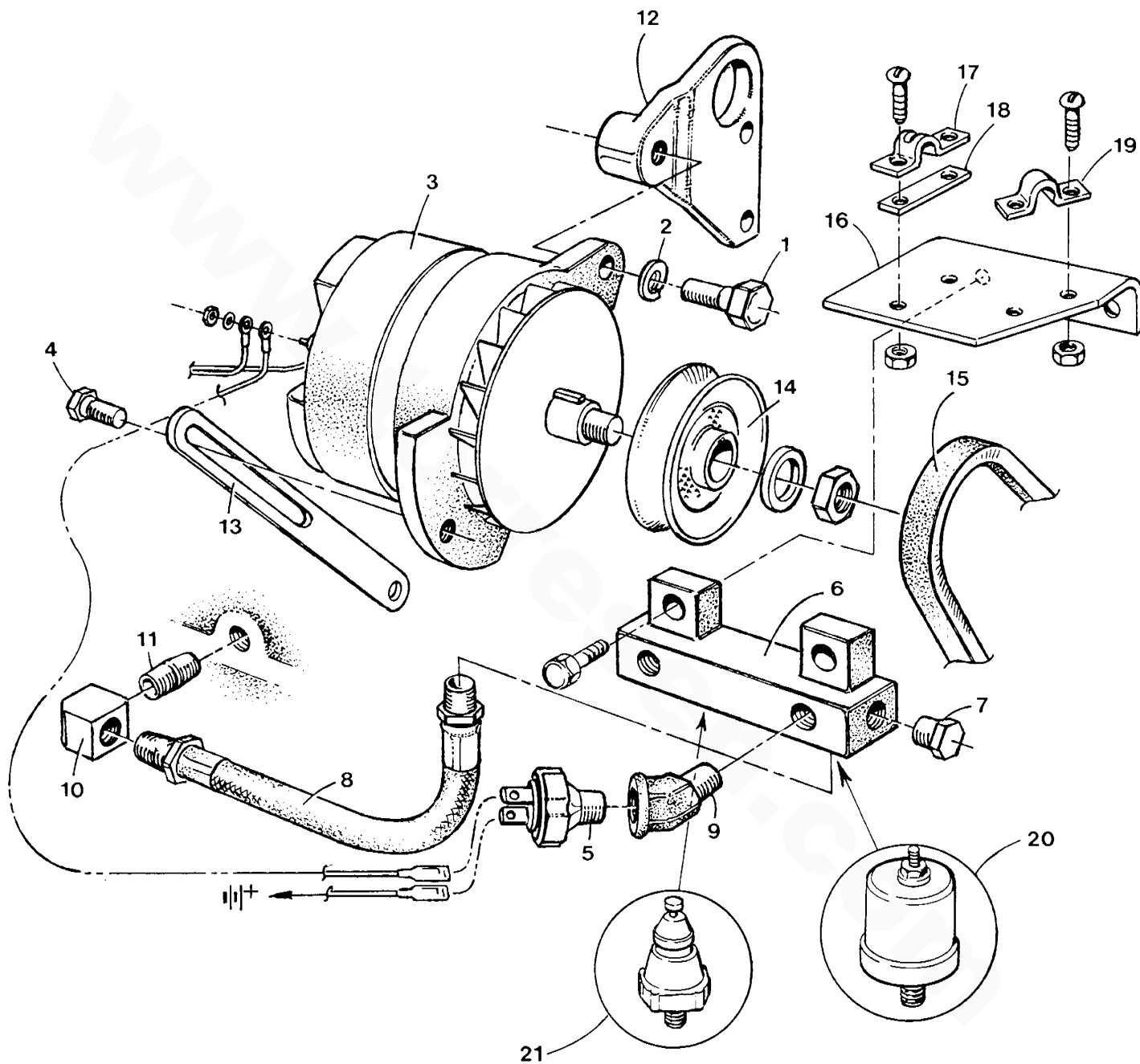
WESTERBEKE 40 - REAR MOUNTS



WESTERBEKE 40 - REAR MOUNTS

| REF | PN | NAME | REMARKS | QUAN |
|-------|-------|--------|---|------|
| 1 | 13123 | MOUNT | RIGHT-STANDARD | 1 |
| 2 | 13124 | MOUNT | LEFT-STANDARD | 1 |
| 3 | 12014 | MOUNT | RIGHT-RAWSON-HINCKLEY WITH 100AMP LN | 1 |
| 5 | 13283 | MOUNT | RIGHT-MORGAN-HIGH | 1 |
| 6 | 13021 | MOUNT | LEFT-MORGAN-HIGH | 1 |
| 7 | 21492 | MOUNT | RIGHT-HINCKLEY-UNIVERSAL HOUSING | 1 |
| 8 | 21494 | MOUNT | LEFT-HINCKLEY-UNIVERSAL HOUSING | 1 |
| 9 | 13284 | MOUNT | RIGHT-LB22.5 CENTERS PRIOR TO COMBCK | 1 |
| 10 | 13138 | MOUNT | LEFT-LB 22.5 CENTERS PRIOR TO COMBCK | 1 |
| 11 | 16040 | MOUNT | UNIVERSAL HOUSING 1975-1979 18 CENTERS | 2 |
| 12 | 13025 | MOUNT | 22.5 CENTERS-CHRIS CRAFT | 2 |
| 13- 1 | 13221 | MOUNT | RB FREEWHEELING TRANSMISSION 18 CENTERS | 2 |
| 13- 2 | 20728 | SPACER | FOR 20IN CENTERS | 2 |
| 14 | 13056 | MOUNT | MERCER | 2 |
| 15 | 13243 | MOUNT | LB-18 CENTERS PRIOR TO COMMON BACK END | 2 |
| 16 | 23932 | MOUNT | LB-COMMON BACK END 18-22.5 CENTERS | 2 |

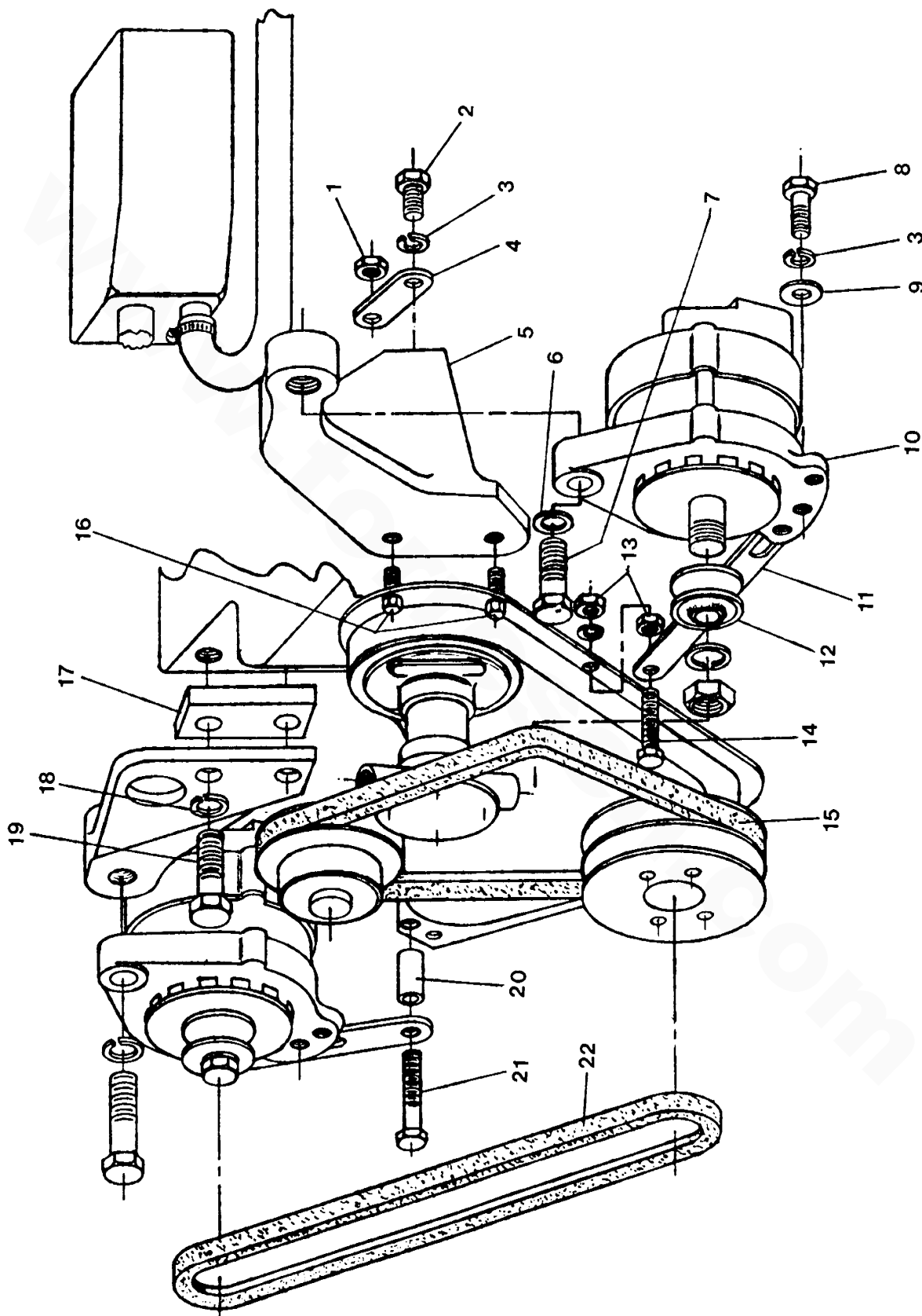
WESTERBEKE 40 - STANDARD ALTERNATOR



WESTERBEKE 40 - STANDARD ALTERNATOR

| REF | PN | NAME | REMARKS | QUAN |
|------|-------|------------|---------------------------------|------|
| 1 | 31709 | CAPSCREW | 1/2NC X 2 | 1 |
| 2 | 31776 | LOCKWASHER | 1/2 | 1 |
| 3 | 24684 | ALTERNATOR | 51 AMP 12 VDC NEG GROUND | 1 |
| 4- 1 | 31554 | CAPSCREW | 5/16NC X 7/8 | 1 |
| 4- 2 | 31758 | LOCKWASHER | 5/16 | 1 |
| 4- 3 | 33381 | WASHER | ADJUSTING STRAP | 1 |
| 5 | 11552 | SWITCH | OIL PRESSURE-EXCITATION TO 1975 | 1 |
| 6 | 11969 | MANIFOLD | OIL-TO MOUNT SWITCHES | 1 |
| 7 | 11615 | PLUG | 1/8NPT | AR |
| 8 | 11981 | HOSE | | 1 |
| 9 | 15122 | ELBOW | 45 DEGREE | 1 |
| 10 | 13328 | ELBOW | 90 DEGREE | 1 |
| 11 | 11492 | NIPPLE | | 1 |
| 12 | 12060 | BRACKET | ALTERNATOR | 1 |
| 13 | 33064 | STRAP | ADJUSTING | 1 |
| 14 | 11548 | PULLEY | ALTERNATOR | 1 |
| 15 | 12270 | BELT | ALTERNATOR & FRESH WATER PUMP | 1 |
| 16 | 12955 | BRACKET | CONTROL CABLES | 1 |
| 17 | 13325 | CLAMP | THROTTLE CABLE | 1 |
| 18 | 13870 | SHIM | THROTTLE CABLE CLAMP | 1 |
| 19 | 13871 | CLAMP | SHUT-OFF CABLE | 1 |
| 20 | 24132 | SENDER | OIL PRESSURE 0-100 PSI | 1 |
| 21 | 34761 | SWITCH | OIL PRESSURE-ALARM | 1 |

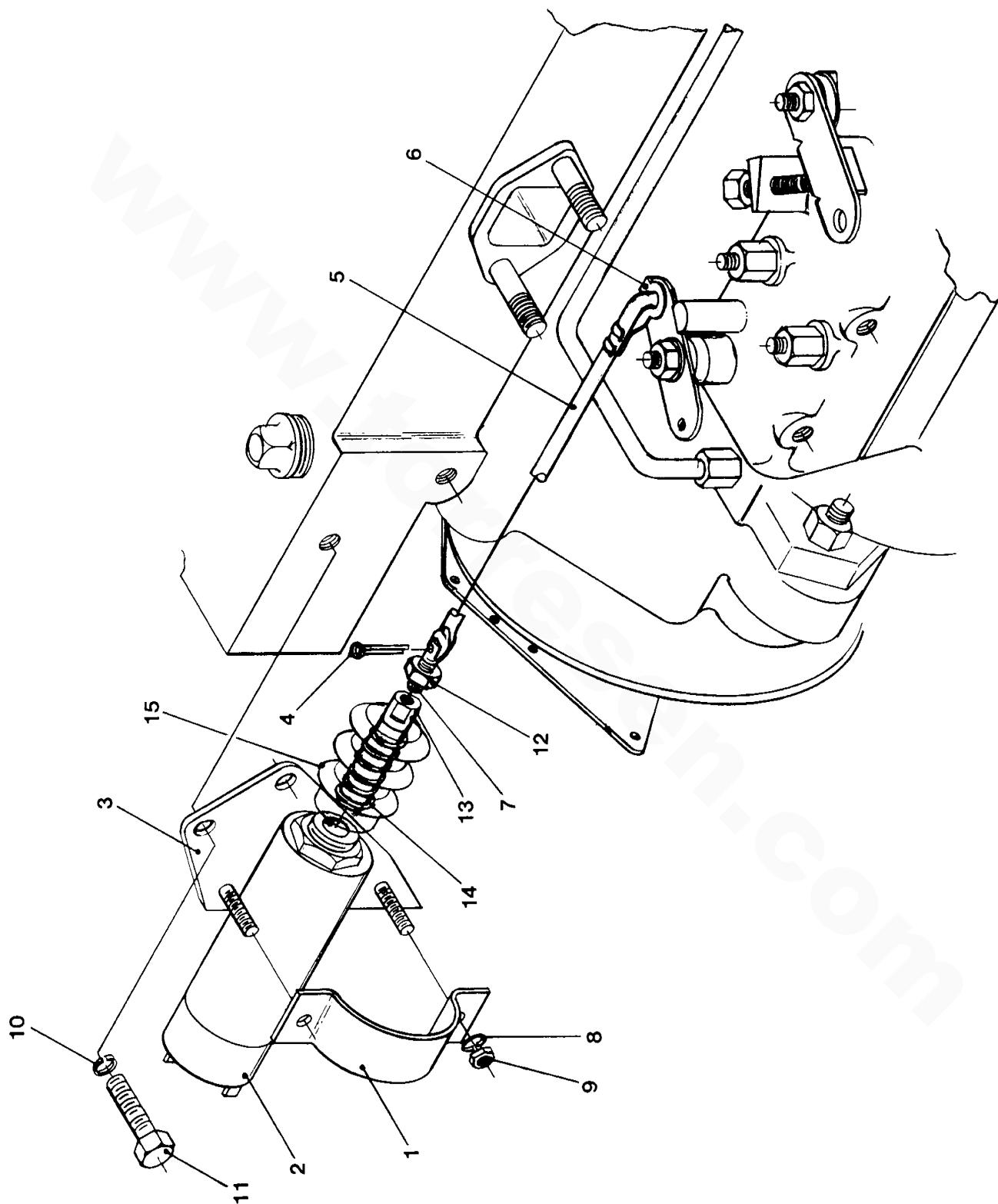
WESTERBEKE 40 - OPTIONAL ALTERNATOR



WESTERBEKE 40 - OPTIONAL ALTERNATOR

| REF | PN | NAME | REMARKS | QUAN |
|-------|-------|--------------|--|------|
| | | NOTE | WHEN AN ALTERNATOR IS MOUNTED IN THE UPPER LEFT POSITION A REMOTE LUBE OIL FILTER MUST BE USED | |
| 1 | 31760 | NUT | 5/16NF | 1 |
| 2 | 31554 | CAPSCREW | 5/16NC X 7/8 | 1 |
| 3 | 31758 | LOCKWASHER | 5/16 | 3 |
| 4 | 11242 | STRAP | SUPPORT | 1 |
| 5 | 13226 | BRACKET | 51 AMP ALTERNATOR-UP LEFT | 1 |
| 6 | 31776 | LOCKWASHER | 1/2 | 1 |
| 7 | 31709 | CAPSCREW | 1/2NC X 2 | 1 |
| 8 | 31553 | CAPSCREW | 5/16NC X 3/4 | 1 |
| 9 | 33381 | WASHER | ADJUSTING STRAP | 1 |
| 10 | 24684 | ALTERNATOR | 51 AMP 12 VDC NEG GROUND | 1 |
| 11 | 13941 | STRAP | ADJUSTING | 1 |
| 12 | 11548 | PULLEY | ALTERNATOR | 1 |
| 13 | 31756 | NUT | 5/16NC | 2 |
| 14 | 31555 | CAPSCREW | 5/16NC X 1 | 1 |
| 15 | 13877 | BELT | | 1 |
| 16- 1 | 31553 | CAPSCREW | 5/16NC X 3/4 | 2 |
| 16- 2 | 31758 | LOCKWASHER | 5/16 | 2 |
| 17 | 15562 | SPACER | MOVE STD ALTRN BRACKET FORWARD | 1 |
| 18 | 31764 | LOCKWASHER | 3/8 | 2 |
| 19 | 31633 | CAPSCREW | 3/8NF X 1-3/4 | 2 |
| 20 | 15561 | SPACER | | 1 |
| 21 | 31559 | CAPSCREW | 5/16NC X 2 | 1 |
| 22 | 11918 | BELT | | 1 |
| 23 | 15554 | DRAWING NOTE | INSTALLATION WHEN EXTRA 51 AMP IS MOUNTED IN THE LOWER RIGHT POSITION REF 24-27 ARE USED | 1 |
| 24 | 13237 | BRACKET | ALTERNATOR & FRONT MOUNT | 1 |
| 25 | 11205 | SUPPORT | | 1 |
| 26 | 11918 | BELT | ALTERNATOR | 1 |
| 27 | 13941 | STRAP | ADJUSTING | 1 |
| | | NOTE | WHEN EXTRA 120 AMP IS MOUNTED IN THE LOWER RIGHT POSITION REF 28-30 ARE USED | |
| 28 | 14155 | BRACKET | ALTERNATOR & FRONT MOUNT | 1 |
| 29 | 11672 | BELT | | 2 |
| 30 | 12245 | STRAP | ADJUSTING | 1 |

WESTERBEKE 10-15KW GENERATOR FUEL SOLENOID



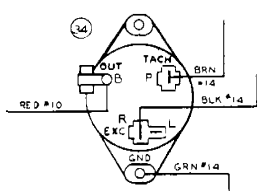
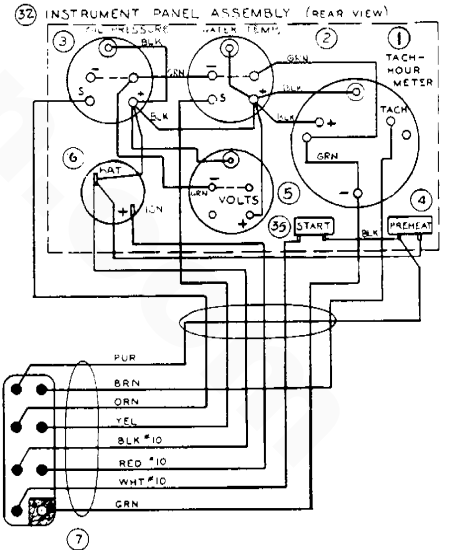
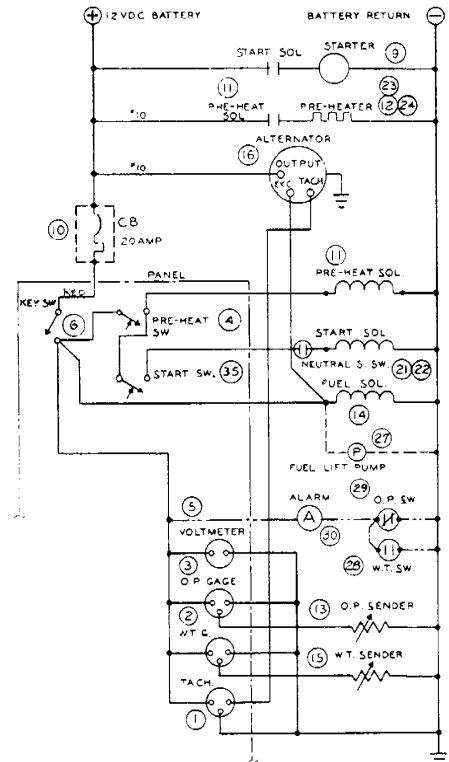
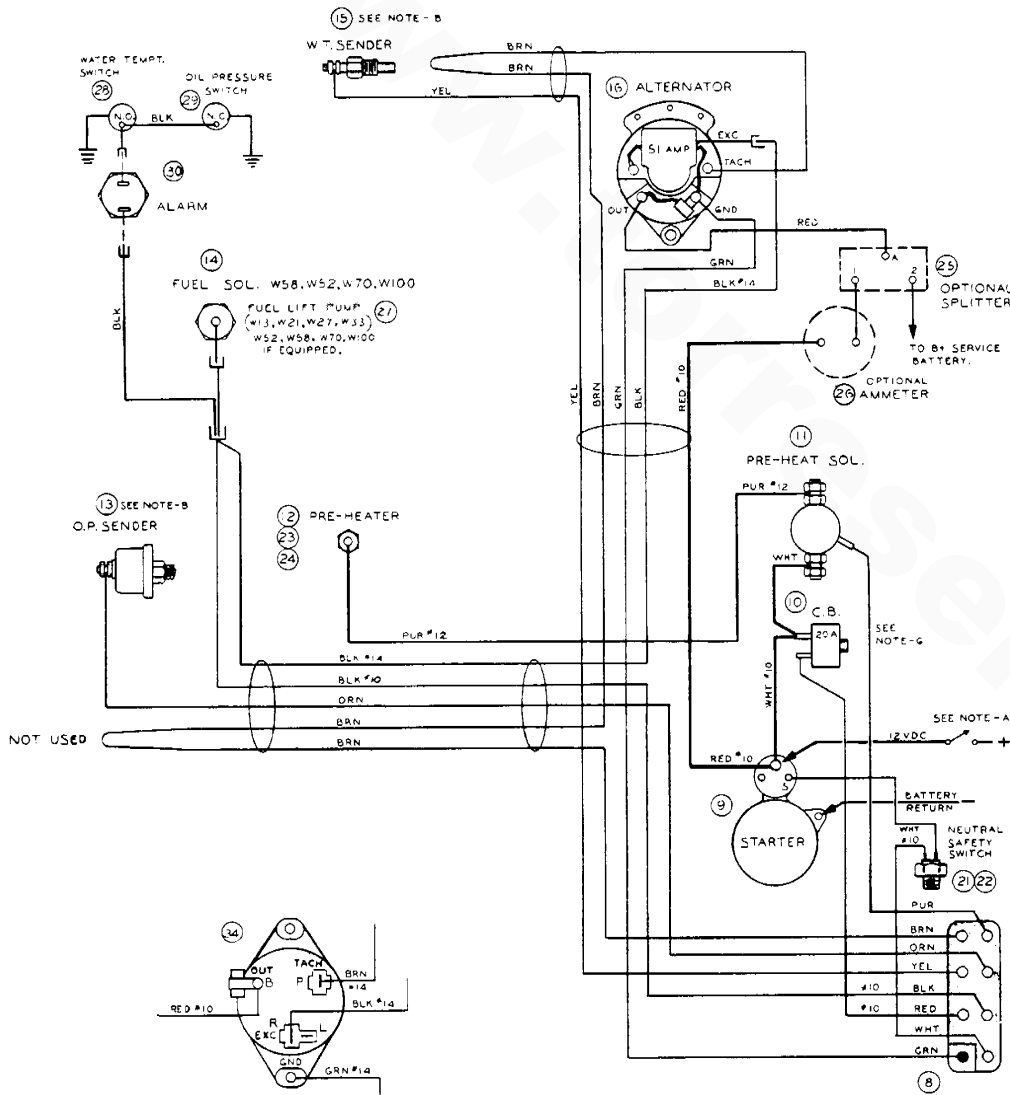
WESTERBEKE 10-15KW GENERATOR FUEL SOLENOID

| REF | PN | NAME | REMARKS | QUAN |
|------|-------|------------|--------------------------------------|------|
| 1 | 19019 | CLAMP | MOUNT SOLENOID | 1 |
| 2- 1 | 23041 | SOLENOID | FUEL SHUT-OFF 12VDC | 1 |
| 2- 2 | 19348 | SOLENOID | FUEL SHUT-OFF 24VDC | 1 |
| 3 | 20660 | BRACKET | SOLENOID MOUNTING | 1 |
| 4 | 12982 | PIN | COTTER | 1 |
| 5 | 12697 | LINK | | 1 |
| 6 | 11551 | CLIP | | 1 |
| 7 | 20661 | SCREW | SOLENOID PLUNGER | 1 |
| 8 | 31849 | LOCKWASHER | 10 | 2 |
| 9 | 31847 | NUT | 10-32 | 2 |
| 10 | 31758 | LOCKWASHER | 5/16 | 2 |
| 11 | 31577 | CAPSCREW | 5/16NF X 5/8 | 2 |
| 12 | 31754 | NUT | 1/4NF | 2 |
| 13 | | PLUNGER | SEE REF 2 | 1 |
| 14 | | SPRING | SEE REF 2 | 1 |
| 15 | | BOOT | RUBBER-SEE REF 2 | 1 |
| 16 | 21824 | KIT | FUEL SHUT-OFF SOLENOID REF 1 THRU 15 | 1 |

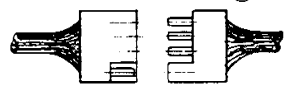
ELECTRICAL SYSTEM-MARINE ENGINE-ACTIVATION BY KEYSWITCH

SCHEMATIC DIAGRAM

WIRING DIAGRAM



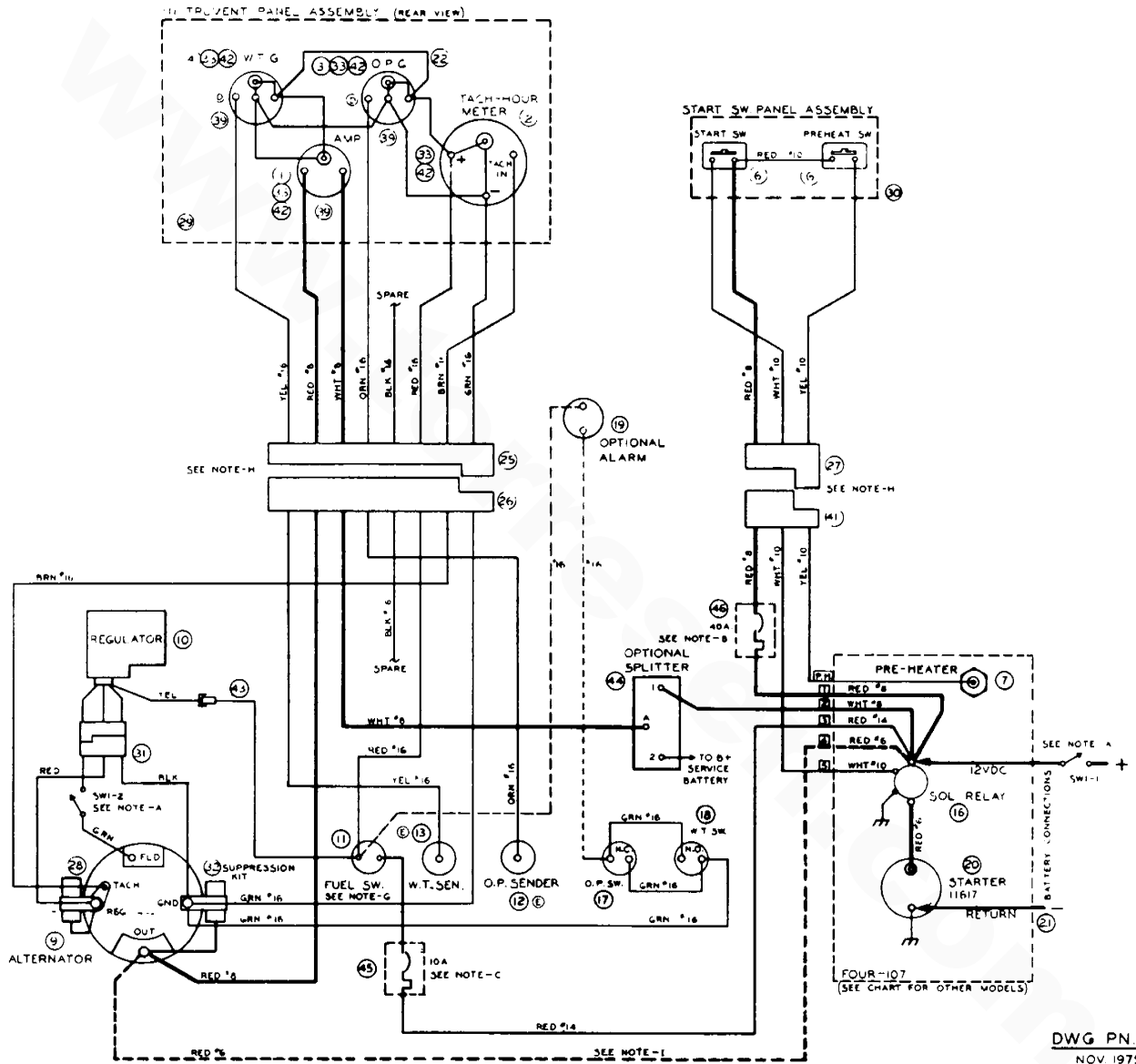
SERIES 15 ALTERNATOR 12VOLT 50AMP



ELECTRICAL SYSTEM-MARINE ENGINE-ACTIVATION BY KEYSWITCH

| REF | PN | NAME | REMARKS | QUAN |
|-------|-------|------------|--|------|
| 1 | 11917 | METER | TACHOMETER-HOURMETER | 1 |
| 2 | 35108 | GAUGE | WATER TEMPERATUPE | 1 |
| 3 | 35110 | GAUGE | OIL PRESSURE 0-100 PSI | 1 |
| 4 | 33764 | SWITCH | PUSHBUTTON PRE-HEAT | 1 |
| 5 | 35111 | VOLTMETER | 12VDC NEG GROUND | 1 |
| 6 | 33693 | KEYSWITCH | OFF-ON | 1 |
| 7 | 30148 | CABLE | PANEL | 1 |
| 8- 1 | 31127 | HARNESS | ENGINE WIRING-W30,W40,W50 | 1 |
| 8- 2 | 31128 | HARNESS | ENGINE WIRING-W52 | 1 |
| 8- 3 | 31129 | HARNESS | ENGINE WIRING-W58 | 1 |
| 9 | 16762 | MOTOR | STARTER | 1 |
| 10 | 24683 | BREAKER | CIRCUIT-20 AMP | 1 |
| 11 | 24639 | SOLENOID | PRE-HEAT | 1 |
| 13 | 24132 | SENDER | OIL PRESSURE 0-100 PSI | 1 |
| 15 | 23571 | SENDER | WATER TEMPERATURE 1/8 NPT | 1 |
| 16- 1 | 24684 | ALTERNATOR | 51AMP NEG GROUND WITH REGULATOR | 1 |
| 16- 2 | 11548 | PULLEY | ALTERNATOR DRIVE | 1 |
| 16- 3 | 24579 | REGULATOR | 51 AMP | 1 |
| 16- 4 | 24580 | GASKET | ALTERNATOR TO REGULATOR | 1 |
| 16- 5 | 11677 | ALTERNATOR | 120AMP-12VDC | 1 |
| 16- 6 | 11682 | REGULATOR | 120AMP | 1 |
| 16- 7 | 23088 | CABLE | REGULATOR 11682 | 1 |
| 16- 8 | 11675 | CABLE | ALTERNATOR TO REGULATOR | 1 |
| 16- 9 | 11676 | RESISTOR | 75 OHM | 1 |
| 16-10 | 11674 | PULLEY | ALTERNATOR DRIVE-W40-50-80-120 | 1 |
| 16-11 | 22219 | PULLEY | ALTERNATOR DRIVE-W58 | 1 |
| 16-12 | 31109 | PULLEY | ALTERNATOR DRIVE-W52 | 1 |
| 16-13 | 11231 | DIAGRAM | WIRING 120AMP ALTERNATOR | 1 |
| 16-14 | 23603 | DIAGRAM | WIRING 120AMP REGULATOR | 1 |
| 17 | 12959 | KIT | ALTERNATOR MOD FOR ELEC TACHOMETER | 1 |
| 18 | 11532 | KIT | ALTERNATOR SUPPRESSION | 1 |
| 21 | 23433 | SWITCH | NEUTRAL SAFETY WARNER TRANSMISSION | 1 |
| 22 | 23309 | SWITCH | NEUTRAL SAFETY PARASON TRANSMISSION P200 | 1 |
| 23 | 11530 | PREHEATER | MANIFOLD W40 | 1 |
| 25 | 20654 | SPLITTER | ALTERNATOR OUTPUT-OPTIONAL | 1 |
| 26 | 11581 | AMMETER | 60-0-60-OPTIONAL | 1 |
| 28 | 30125 | SWITCH | WATER TEMPERATURE-NO-ALARM | 1 |
| 29 | 34761 | SWITCH | OIL PRESSURE-NC-ALARM | 1 |
| 30 | 13355 | ALARM | BUZZER | 1 |
| 32 | 33866 | PANEL | INSTRUMENT-COMPLETE | 1 |
| 35 | 33764 | SWITCH | START | 1 |
| 50 | 31086 | BOOT | ALTERNATOR OUTPUT TERMINAL | 1 |
| 51- 1 | 30065 | CONDUIT | FLEX-GARD 0.35ID-INCHES REQD | AR |
| 51- 2 | 30066 | CONDUIT | FLEX-GARD 0.50ID-INCHES REQD | AR |
| 51- 3 | 30067 | CONDUIT | FLEX-GARD 0.75ID-INCHES REQD | AR |

ELECTRICAL SYSTEM-MARINE ENGINE-PUSHBUTTON START

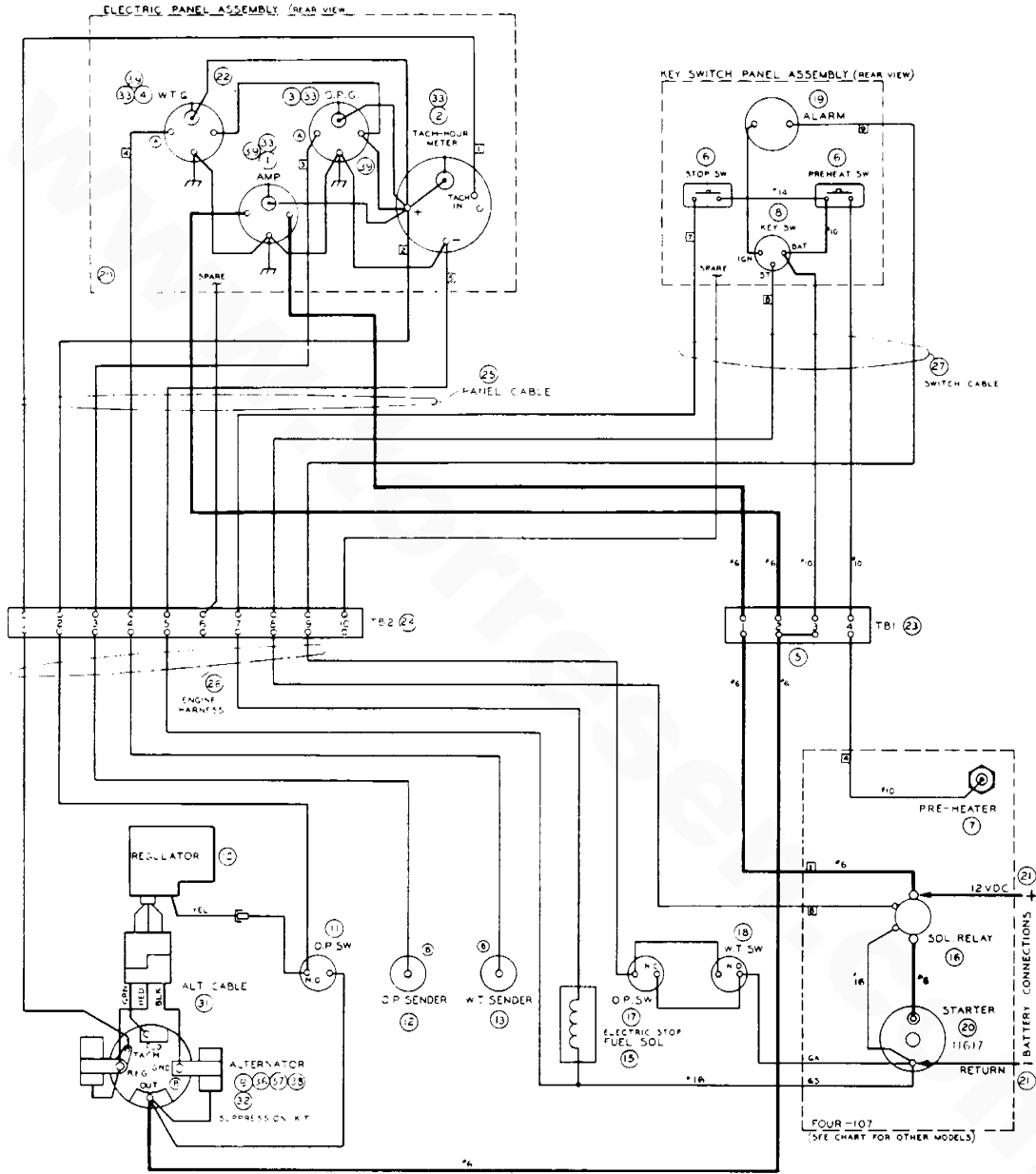


DWG PN.19201
NOV 1975

ELECTRICAL SYSTEM-MARINE ENGINE-PUSHBUTTON START

| REF | PN | NAME | REMARKS | QUAN |
|-------|-------|------------|--|------|
| 1- 1 | 11581 | AMMETER | 60-0-60 | 1 |
| 1- 2 | 21890 | AMMETER | 100-0-100 | 1 |
| 1- 3 | 21891 | SHUNT | USED WITH 21890 AMMETER | 1 |
| 1- 4 | 23636 | AMMETER | 60-0-60 | 1 |
| 1- 5 | 23635 | SHUNT | USED WITH 23636 AMMETER | 1 |
| 2 | 11917 | METER | TACHOMETER-HOURMETER | 1 |
| 3 | 11544 | GAUGE | OIL PRESSURE | 1 |
| 4 | 35168 | GAUGE | WATER TEMPERATURE | 1 |
| 6- 1 | 11957 | SWITCH | PUSHBUTTON | 2 |
| 6- 2 | 19031 | CAP | SWITCH PROTECTIVE COVER | 2 |
| 7 | 11530 | PREHEATER | MANIFOLD TYPE | 1 |
| 9- 1 | 19270 | ALTERNATOR | 55 AMP NEG GROUND | 1 |
| 9- 2 | 11534 | ALTERNATOR | 55 AMP 12 VOLT UNGROUNDED | 1 |
| 9- 3 | 11677 | ALTERNATOR | 120 AMP NEG GROUND | 1 |
| 9- 4 | 22219 | PULLEY | ALTERNATOR DRIVE 2 GROOVE | 1 |
| 9- 5 | 11676 | RESISTOR | 85-120 AMP ALTERNATOR | 1 |
| 10- 1 | 11550 | REGULATOR | 55 AMP ALTERNATOR | 1 |
| 10- 2 | 11682 | REGULATOR | 85-120 AMP ALTERNATOR | 1 |
| 10- 3 | 23088 | CABLE | REGULATOR TO ALTERNATOR CABLE | 1 |
| 11 | 33348 | SWITCH | FUEL - NORMALLY OPEN | 1 |
| 12- 1 | 11542 | SENDER | OIL PRESSURE | 1 |
| 12- 2 | 22125 | SENDER | OIL PRESSURE-DUAL GAUGES | 1 |
| 13- 1 | 11543 | SENDER | WATER TEMPERATURE 1/4 NPT | 1 |
| 13- 2 | 23571 | SENDER | WATER TEMPERATURE 1/8 NPT | 1 |
| 13- 3 | 22124 | SENDER | WATER TEMPERATURE-DUAL GAUGES | 1 |
| 16 | 11489 | SOLENOID | START-FOR 11617 STARTER | 1 |
| 17 | 11552 | SWITCH | OIL PRESSURE-NC-OPTIONAL ALARM | 1 |
| 18 | 13382 | SWITCH | WATER TEMPERATURE-NO-OPTIONAL ALARM | 1 |
| 19 | 13355 | ALARM | OPTIONAL | 1 |
| 20 | 11617 | MOTOR | STARTER | 1 |
| 22 | 19215 | HARNES | PANEL-GAUGE CONNECTING-NLA | 2 |
| 25- 1 | 19209 | CABLE | INSTRUMENT PANEL FROM ENGINE | 1 |
| 25- 2 | 30760 | CABLE | INSTRUMENT PANEL 15FT EXTENSION OPTION | 1 |
| 26 | 19208 | HARNES | ENGINE PREWIRING-NLA | 1 |
| 27- 1 | 19206 | CABLE | START PANEL FROM ENGINE-NLA | 1 |
| 27- 2 | 19207 | CABLE | START PANEL 10FT EXTENSION OPTION | 1 |
| 28 | 12959 | KIT | ALTERNATOR MOD FOR ELEC TACHOMETER | 1 |
| 29- 1 | 19285 | PANEL | INSTRUMENT COMPLETE STANDARD | 1 |
| 29- 2 | 22283 | PANEL | INSTRUMENT COMPLETE 100AMP | 1 |
| 30 | 19283 | PANEL | START-PREHEAT COMPLETE | 1 |
| 31 | 11549 | CABLE | ALTERNATOR TO REGULATOR | 1 |
| 32 | 11532 | KIT | SUPPRESSION-ALTERNATOR | 1 |
| 33 | 11432 | LAMPS | METERS AND GAUGES | 4 |
| 41 | 19205 | HARNES | ENGINE-STARTING-NLA | 1 |
| 42 | 19216 | HOLDER | LAMP | 1 |
| 43 | 11670 | WIRE | REGULATOR EXCITATION | 1 |
| 44 | 20654 | SPLITTER | ALTERNATOR OUPUT-OPTION | 1 |
| 45 | 20946 | BREAKER | CIRCUIT - 10 AMP | 1 |
| 46 | 20947 | BREAKER | CIRCUIT - 40 AMP | 1 |

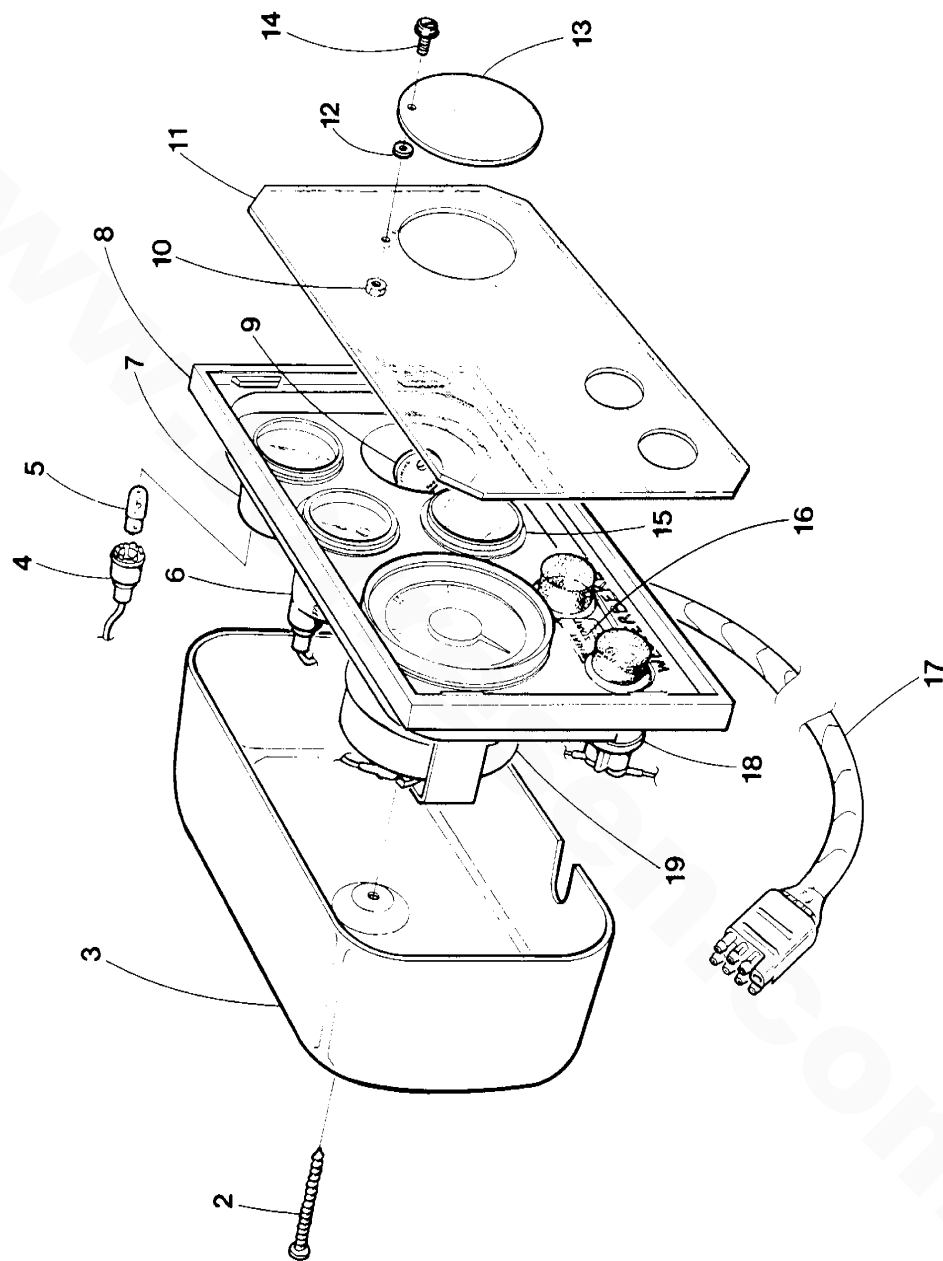
ELECTRICAL SYSTEM-ACTIVATION BY LUBE OIL PRESSURE-KEYSWITCH START



ELECTRICAL SYSTEM-ACTIVATION BY LUBE OIL PRESSURE-KEYSWITCH START

| REF | PN | NAME | REMARKS | QUAN |
|-------|-------|------------|------------------------------------|------|
| 1 | 11581 | AMMETER | 60-0-60 | 1 |
| 2- 1 | 11917 | TACHOMETER | ELECTRIC-ALTERNATOR DRIVEN | 1 |
| 2- 3 | 12883 | TACHOMETER | SKIPPER PANEL | 1 |
| 3 | 11544 | GAUGE | OIL PRESSURE | 1 |
| 4 | 35108 | GAUGE | WATER TEMPERATURE | 1 |
| 5 | 13938 | JUMPER | 13320 TERMINAL BLOCK | 1 |
| 6- 1 | 11957 | SWITCH | PUSHBUTTON | AR |
| 6- 2 | 11958 | PLUG | IN LIEU OF PUSHBUTTON | AR |
| 7 | 11530 | PREHEATER | MANIFOLD TYPE | 1 |
| 8- 1 | 11956 | KEYSWITCH | 3 POS - 3 TERM | 1 |
| 8- 2 | 11714 | KEYSWITCH | 4 POS - 3 TERM-NLA | 1 |
| 8- 3 | 14833 | KEYSWITCH | 4 POS - 4 TERM | 1 |
| 9- 1 | 19270 | ALTERNATOR | 55 AMP-12 VOLT | 1 |
| 9- 2 | 11670 | WIRE | EXCITATION 19270 ALTERNATOR | 1 |
| 9- 3 | 11548 | PULLEY | 19270 ALTERNATOR | 1 |
| 9- 4 | 11677 | ALTERNATOR | 120 AMP-12 VOLT | 1 |
| 9- 5 | 11815 | ALTERNATOR | 53 AMP-12 VOLT | 1 |
| 9- 6 | 12871 | ALTERNATOR | 105 AMP-12 VOLT | 1 |
| 9- 7 | 11676 | RESISTOR | 11671 & 11677 ALTERNATORS | 1 |
| 10- 1 | 11550 | REGULATOR | 19270 & 11534 ALTERNATORS | 1 |
| 10- 2 | 11678 | REGULATOR | 11677 ALTERNATOR | 1 |
| 10- 3 | 11682 | REGULATOR | 11815 & 12871 ALTERNATORS | 1 |
| 11 | 33348 | SWITCH | OIL PRESSURE-NORMALLY OPEN | 1 |
| 12 | 11542 | SENDER | OIL PRESSURE | 1 |
| 13 | 11543 | SENDER | WATER TEMPERATURE | 1 |
| 15- 1 | 13986 | SOLENOID | 3.5 X 2.5 X 2.75-OBS USE 21824 KIT | 1 |
| 15- 2 | 15190 | SOLENOID | 3.25 X 1.5 DIA OBS USE 23041 | 1 |
| 15- 3 | 23041 | SOLENOID | | 1 |
| 16 | 11489 | SOLENOID | START | 1 |
| 17 | 11552 | SWITCH | OIL PRESSURE-NORMALLY CLOSED | 1 |
| 18 | 13362 | SWITCH | WATER TEMPERATURE-NORMALLY OPEN | 1 |
| 19- 1 | 13355 | ALARM | | 1 |
| 19- 2 | 13759 | PLUG | IN LIEU OF ALARM | 1 |
| 20 | 11617 | MOTOR | STARTER-FOUR 107 | 1 |
| 22 | 13777 | HARNESS | REAR OF INSTRUMENT PANEL | 1 |
| 23- 1 | 13320 | BLOCK | TERMINAL-4 POLE | 1 |
| 23- 2 | 13856 | PLATE | SCREW | 2 |
| 24- 1 | 13319 | BLOCK | TERMINAL-10 POLE | 1 |
| 24- 2 | 13855 | PLATE | SCREW | 2 |
| 25 | 19209 | CABLE | INSTRUMENT PANEL FROM ENGINE | 1 |
| 26 | 19208 | HARNESS | ENGINE PREWIRING | 1 |
| 27 | 13834 | CABLE | KEYSWITCH TO TERMINAL BLOCK | 1 |
| 28 | 12959 | KIT | ALTERNATOR MOD FOR ELEC TACHOMETER | 1 |
| 29 | 12885 | PANEL | INSTRUMENT-LESS INSTRUMENTS | 1 |
| 30 | 13515 | NAMEPLATE | KEYSWITCH PANEL | 1 |
| 31 | 11675 | CABLE | ALTERNATOR TO REGULATOR-55A | 1 |
| 32 | 11532 | KIT | SUPPRESSION-ALTERNATOR | 1 |
| 33 | 11432 | LAMP | METERS AND GAUGES | AR |
| 39 | 16023 | ADAPTER | 2IN GAUGE TO 2-3/8IN HOLE | 3 |

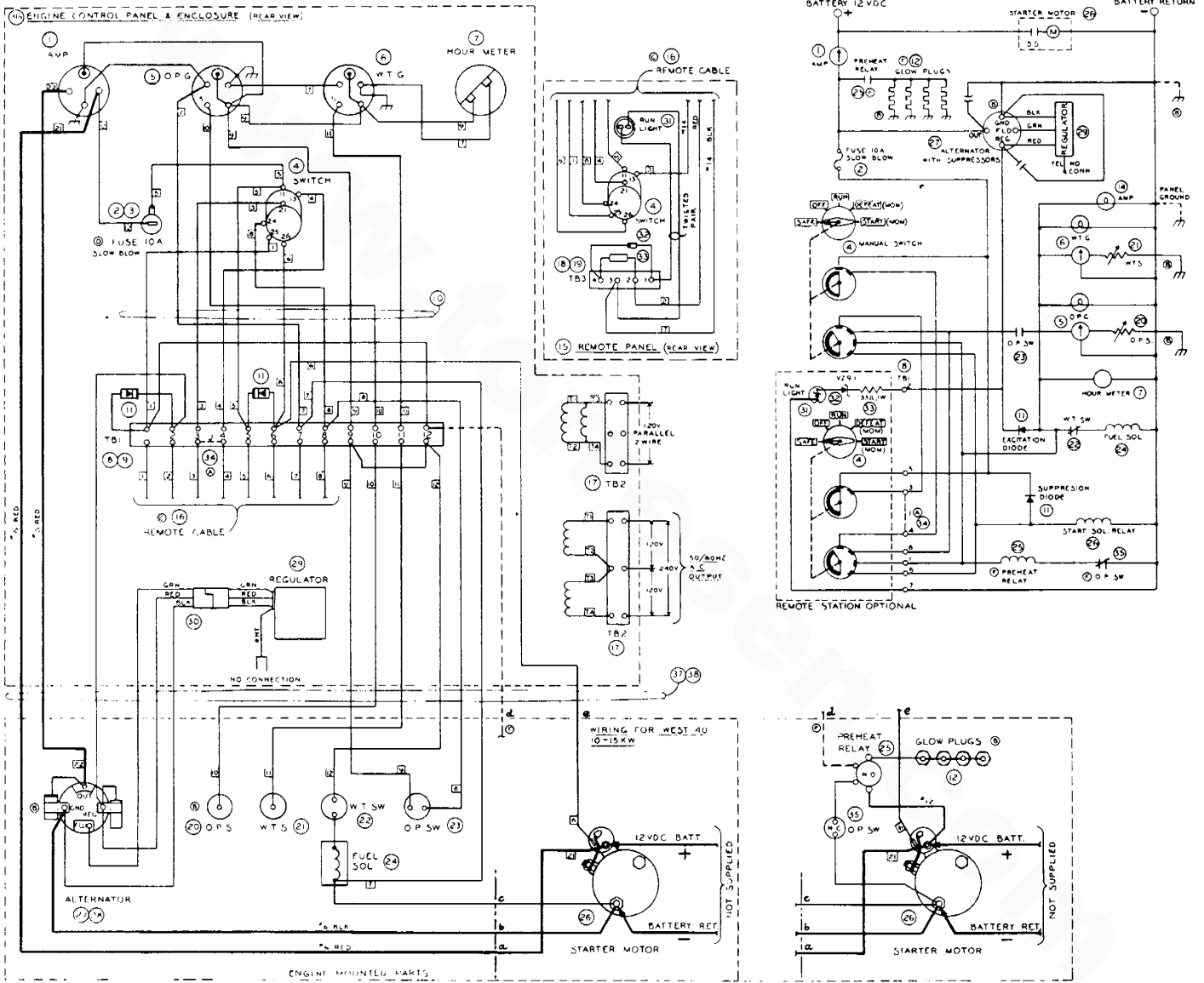
WESTERBEKE 40 - MARINE INSTRUMENT PANEL



WESTERBEKE 40 - MARINE INSTRUMENT PANEL

| REF | PN | NAME | REMARKS | QUAN |
|-------|-------|-----------|-------------------------------------|------|
| 1- 1 | 33866 | PANEL | INSTRUMENT-ASSEMBLY | 1 |
| 1- 2 | 24880 | PANEL | INSTRUMENT-NO PUSH BUTTONS-NLA | 1 |
| 2 | 30913 | SCREW | | 1 |
| 3 | 30119 | COVER | PANEL REAR | 1 |
| 4- 1 | 24946 | HOLDER | LAMP-BAYONET BASE | AR |
| 4- 2 | 35118 | HOLDER | LAMP-WEDGE BASE | AR |
| 5- 1 | 24947 | LAMP | INSTRUMENT-BAYONET BASE | AR |
| 5- 2 | 35114 | LAMP | INSTRUMENT-WEDGE BASE | AR |
| 6 | 35108 | METER | WATER TEMPERATURE | 1 |
| 7 | 35110 | METER | OIL PRESSURE 0-100 PSI | 1 |
| 8- 1 | 33865 | PANEL | PLATE | 1 |
| 8- 2 | 24751 | PANEL | PLATE-NO PUSH BUTTONS | 1 |
| 9- 1 | 33693 | SWITCH | KEY OFF-ON | 1 |
| 9- 2 | 24777 | SWITCH | KEY OFF-ON-START-PUSH TO PREHEAT | 1 |
| 10 | 30003 | NUT | NYLON LOCKING 6-32 | 1 |
| 11- 1 | 33684 | COVER | FACEPLATE-PANEL WITH PUSH BUTTONS | 1 |
| 11- 2 | 24994 | COVER | FACEPLATE-PANEL WITHOUT PUSHBUTTONS | 1 |
| 12 | 30002 | SPACER | NYLON | 1 |
| 13 | 24996 | WINDOW | KEYSWITCH COVER | 1 |
| 14 | 30001 | SCREW | NYLON 6-32 X 1/2 WASHER HEAD | 1 |
| 15 | 35111 | VOLTMETER | 12 VDC NEG GROUND | 1 |
| 16 | 33682 | DECAL | SWITCH IDENTIFICATION | 1 |
| 17 | 30148 | CABLE | PANEL TO ENGINE | 1 |
| 18- 1 | 33764 | SWITCH | PUSH BUTTON START-PREHEAT | 2 |
| 18- 2 | 19031 | CAP | SWITCH COVER REPLACEMENT | |
| 19 | 11917 | METER | TACHOMETER-HOUR | 1 |
| 20 | 24999 | DRAWING | TEMPLATE TO INSTALL PANEL | 1 |

GENERATOR CONTROL - MANUAL START DISCONNECT ROTARY SWITCH -YD SERIES

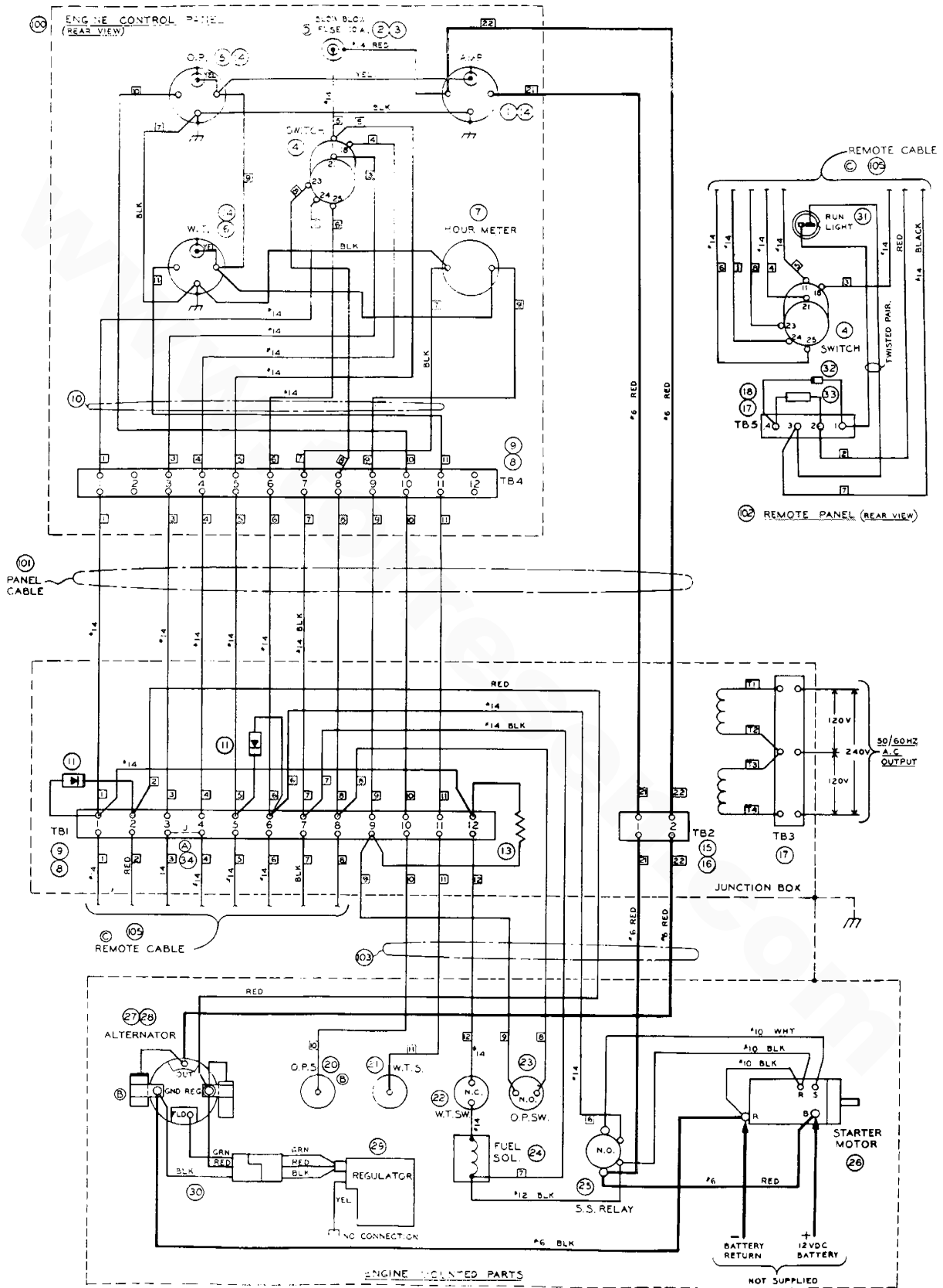


DRWG 21553
47 501-77

GENERATOR CONTROL - MANUAL START DISCONNECT ROTARY SWITCH -YD SERIES

| REF | PN | NAME | REMARKS | QUAN |
|-------|-------|------------|---------------------------|------|
| 1 | 11581 | AMMETER | SW | 1 |
| 2 | 11464 | FUSE | 10 AMP SLOW BLOW | 1 |
| 3 | 11454 | HOLDER | FUSE | 1 |
| 4 | 13722 | SWITCH | ROTARY | 1 |
| 5 | 11544 | GAUGE | OIL PRESSURE | 1 |
| 6 | 11545 | GAUGE | WATER TEMPERATURE | 1 |
| 7 | 12892 | HOURLMETER | | 1 |
| 8 | 15220 | BLOCK | 12 TERMINAL | 1 |
| 9 | 15221 | MARKER | 12 TERMINAL | 1 |
| 10 | 21534 | HARNESS | PANEL | 1 |
| 11 | 11460 | DIODE | | 2 |
| 13 | 19216 | HOLDER | LAMP | 1 |
| 14 | 11432 | LAMP | | 3 |
| 15 | 13728 | PANEL | REMOTE - COMPLETE | 1 |
| 16 | 15137 | CABLE | REMOTE | 1 |
| 17 | 11816 | BLOCK | 3 TERMINAL AC | 1 |
| 18 | 13447 | BLOCK | 4 TERMINAL | 1 |
| 19 | 15067 | MARKER | 4 TERMINAL | 1 |
| 20 | 11542 | SENDER | OIL PRESSURE | 1 |
| 21 | 11543 | SENDER | WATER TEMPERATURE | 1 |
| 22 | 12884 | SWITCH | WATER TEMPERATURE NC | 1 |
| 23 | 33348 | SWITCH | OIL PRESSURE NO | 1 |
| 24 | 23041 | SOLENOID | FUEL | 1 |
| 25 | 11489 | RELAY | SOLENOID - 20 YD ONLY | 1 |
| 27 | 19270 | ALTERNATOR | 55 AMP | 1 |
| 28 | 11532 | KIT | SUPPRESSION | 1 |
| 29 | 11550 | REGULATOR | | 1 |
| 30 | 11675 | CABLE | ALTERNATOR | 1 |
| 31 | 13725 | LED | RUN LIGHT | 1 |
| 32 | 13724 | DIODE | ZENER | 1 |
| 33 | 13723 | RESISTOR | COMPOSITION - 1 W | 1 |
| 34 | 15223 | JUMPER | 12 TERMINAL BLOCK | 1 |
| 35 | 11552 | SWITCH | OIL PRESSURE - 20 YD ONLY | 1 |
| 36- 1 | 21521 | PANEL | ASSEMBLY - COMPLETE | 1 |
| 36- 2 | 21496 | PANEL | CONTROL | 1 |
| 37 | 21535 | HARNESS | ENGINE - 10 AND 15 YD | 1 |

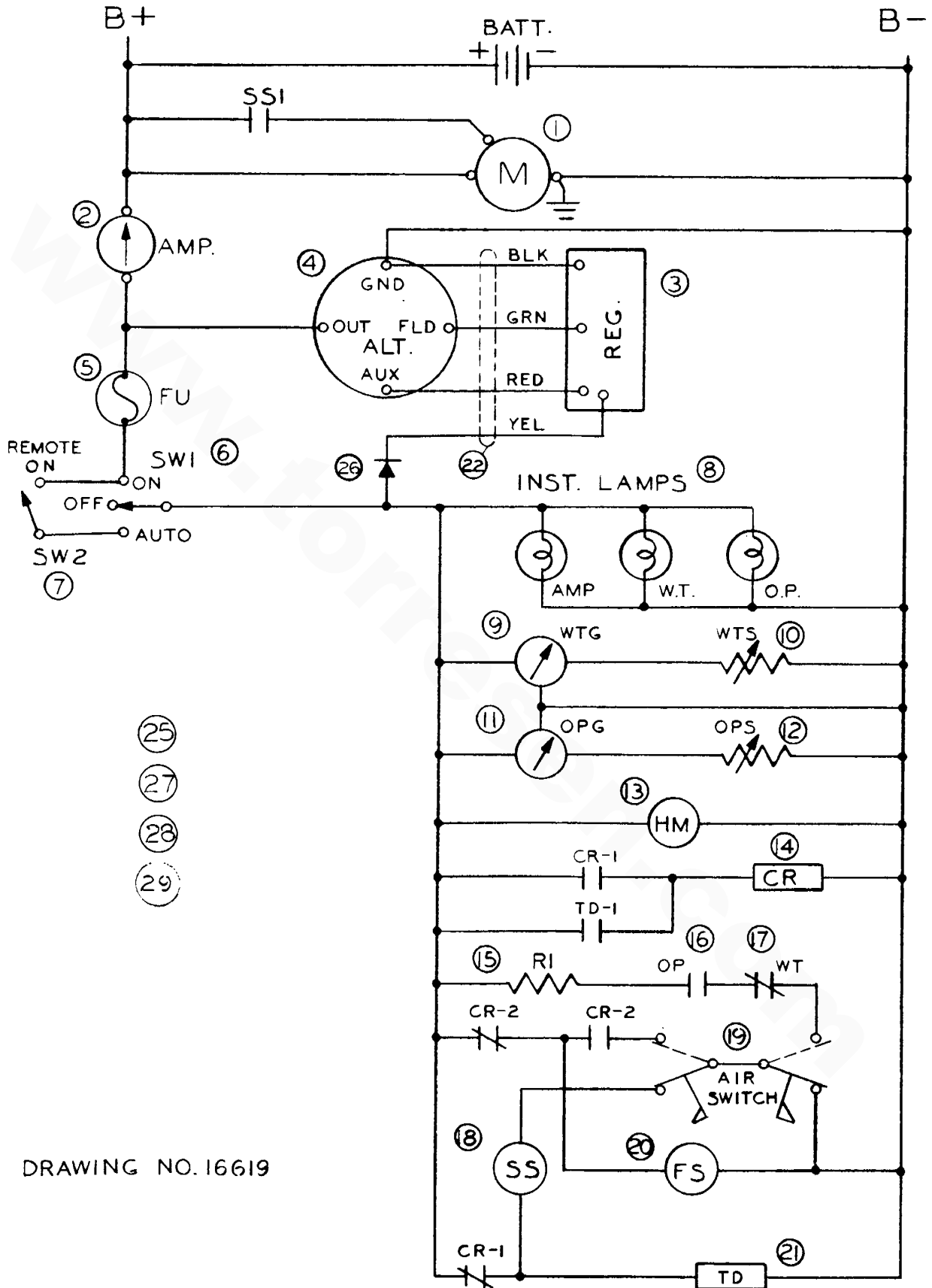
GENERATOR CONTROL - MANUAL START DISCONNECT ROTARY SWITCH -JC SERIES



GENERATOR CONTROL - MANUAL START DISCONNECT ROTARY SWITCH -JC SERIES

| REF | PN | NAME | REMARKS | QUAN |
|-----|-------|------------|--------------------------|------|
| 1 | 11581 | AMMETER | 0-60-0 | 1 |
| 2 | 11464 | FUSE | 10A SLOW BLOW | 1 |
| 3 | 11454 | FUSEHOLDER | | 1 |
| 4 | 13722 | SWITCH | ROTARY | 1 |
| 5 | 11544 | GAUGE | OIL PRESSURE - 0-80 | 1 |
| 6 | 11545 | GAUGE | WATER TEMPERATURE | 1 |
| 7 | 12892 | HOURLMETER | | 1 |
| 8 | 13531 | BLOCK | 12 TERMINAL | 2 |
| 9 | 13532 | MARKER | TERMINAL | 2 |
| 10 | 15124 | HARNESS | PANEL | 1 |
| 11 | 11460 | DIODE | | 2 |
| 13 | 12891 | RESISTOR | SOLENOID VOLTAGE | 1 |
| 14 | 11432 | LAMP | | 3 |
| 15 | 12975 | BLOCK | 2 TERMINAL | 1 |
| 16 | 13364 | MARKER | TERMINAL | 1 |
| 17 | 11816 | BLOCK | 3 TERMINAL AC | 1 |
| 18 | 13447 | BLOCK | 4 TERMINAL | 1 |
| 19 | 15067 | MARKER | TERMINAL | 1 |
| 20 | 11542 | SENDER | OIL PRESSURE | 1 |
| 21 | 11543 | SENDER | WATER TEMPERATURE | 1 |
| 22 | 12884 | SWITCH | WATER TEMPERATURE NC | 1 |
| 23 | 33348 | SWITCH | OIL PRESSURE NO | 1 |
| 24 | 11952 | SOLENOID | FUEL-NLA USE 21824 KIT | 1 |
| 25 | 11489 | RELAY | STARTER SOLENOID | 1 |
| 26 | 17939 | MOTOR | STARTER | 1 |
| 27 | 19270 | ALTERNATOR | 55AMP | 1 |
| 28 | 11532 | KIT | SUPPRESSION | 1 |
| 29 | 11550 | REGULATOR | | 1 |
| 30 | 11675 | CABLE | ALTERNATOR | 1 |
| 31 | 13725 | LAMP | RUN LIGHT | 1 |
| 32 | 13724 | DIODE | ZENER | 1 |
| 33 | 13723 | RESISTOR | COMPOSITION-1W | 1 |
| 34 | 15139 | JUMPER | BLOCK | 1 |
| 35 | 11552 | SWITCH | OIL PRESSURE - N.C. | 1 |
| 101 | 15125 | CABLE | PANEL | 1 |
| 102 | 13728 | PANEL | REMOTE - COMPLETE | 1 |
| 103 | 15138 | HARNESS | ENGINE | 1 |
| 105 | 15137 | CABLE | REMOTE - 20FT STD LENGTH | AR |

GENERATOR CONTROL: START DISCONNECT BY 2 AIR SW (1 TIMER)

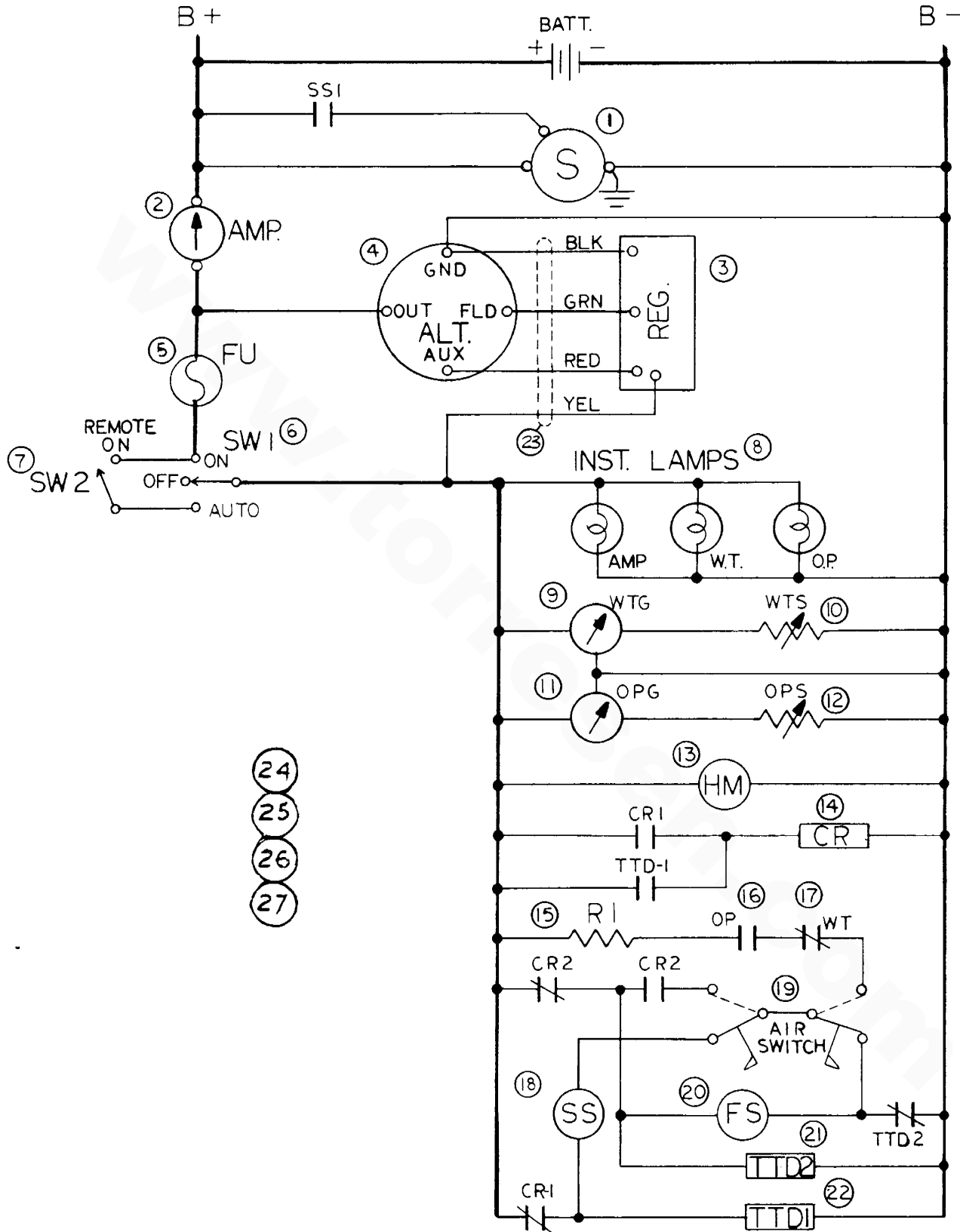


DRAWING NO.16619

GENERATOR CONTROL - START DISCONNECT BY 2 AIR SWITCHES 1 TIMER

| REF | PN | NAME | REMARKS | QUAN |
|-------|-------|------------|---|------|
| 1 | 11488 | MOTOR | STARTING | 1 |
| 2 | 11581 | AMMETER | SW | 1 |
| 3 | 11550 | REGULATOR | | 1 |
| 4 | 19270 | ALTERNATOR | 55AMP - 12 VOLT - NEG GND | 1 |
| 5 | 11468 | FUSE | 15 AMP | 1 |
| 6 | 11576 | SWITCH | CONTROL | 1 |
| 7 | 12080 | SWITCH | REMOTE | 1 |
| 8 | 11432 | LAMP | | 3 |
| 9 | 11545 | GAUGE | WATER TEMPERATURE - SW | 1 |
| 10 | 11543 | SENDER | WATER TEMPERATURE - SW | 1 |
| 11 | 11544 | GAUGE | OIL PRESSURE - SW | 1 |
| 12 | 11542 | SENDER | OIL PRESSURE - SW | 1 |
| 13 | 12892 | HOURMETER | | 1 |
| 14 | 11582 | RELAY | | 1 |
| 15 | 12891 | RESISTOR | 4 OHM | 1 |
| 16 | 33348 | SWITCH | OIL PRESSURE | 1 |
| 17 | 12884 | SWITCH | WATER TEMPERATURE | 1 |
| 18 | 11489 | SOLENOID | START | 1 |
| 19- 1 | 13844 | SWITCH | AIR - COMPLETE ASSY INCL VANE | 2 |
| 19- 2 | 13845 | VANE | AIR SWITCH | 2 |
| 20 | 11952 | SOLENOID | FUEL-NLA USE 21824 KIT | 1 |
| 21- 1 | 16407 | RELAY | TIME DELAY | 1 |
| 21- 2 | 16382 | BRACKET | TIME DELAY RELAY | 1 |
| 21- 3 | 16405 | SHIELD | TIME DELAY RELAY | 1 |
| 21- 4 | 16406 | SOCKET | TIME DELAY RELAY | 1 |
| 22 | 11675 | CABLE | REGULATOR TO ALTERNATOR | 1 |
| 25 | 12321 | PANEL | COMPLETE | 1 |
| 26- 1 | 11460 | DIODE | ALTERNATOR AUXILIARY OUTPUT SUPPRESSING | 1 |
| 26- 2 | 16011 | TERMINAL | DIODE 11460 MOUNTING | 1 |
| 26- 3 | 16012 | KIT | DIODE 11460 INSTALLATION | 1 |
| 27 | 12960 | HARNESS | GENERATOR COMPONENTS TO TERMINAL BLOCK | 1 |
| 28 | 13734 | HARNESS | PANEL INTERIOR | 1 |
| 29 | 17310 | DIAGRAM | POINT-TO-POINT | 1 |

GENERATOR CONTROL: START DISCONNECT BY 2 AIR SW (2 TIMERS)



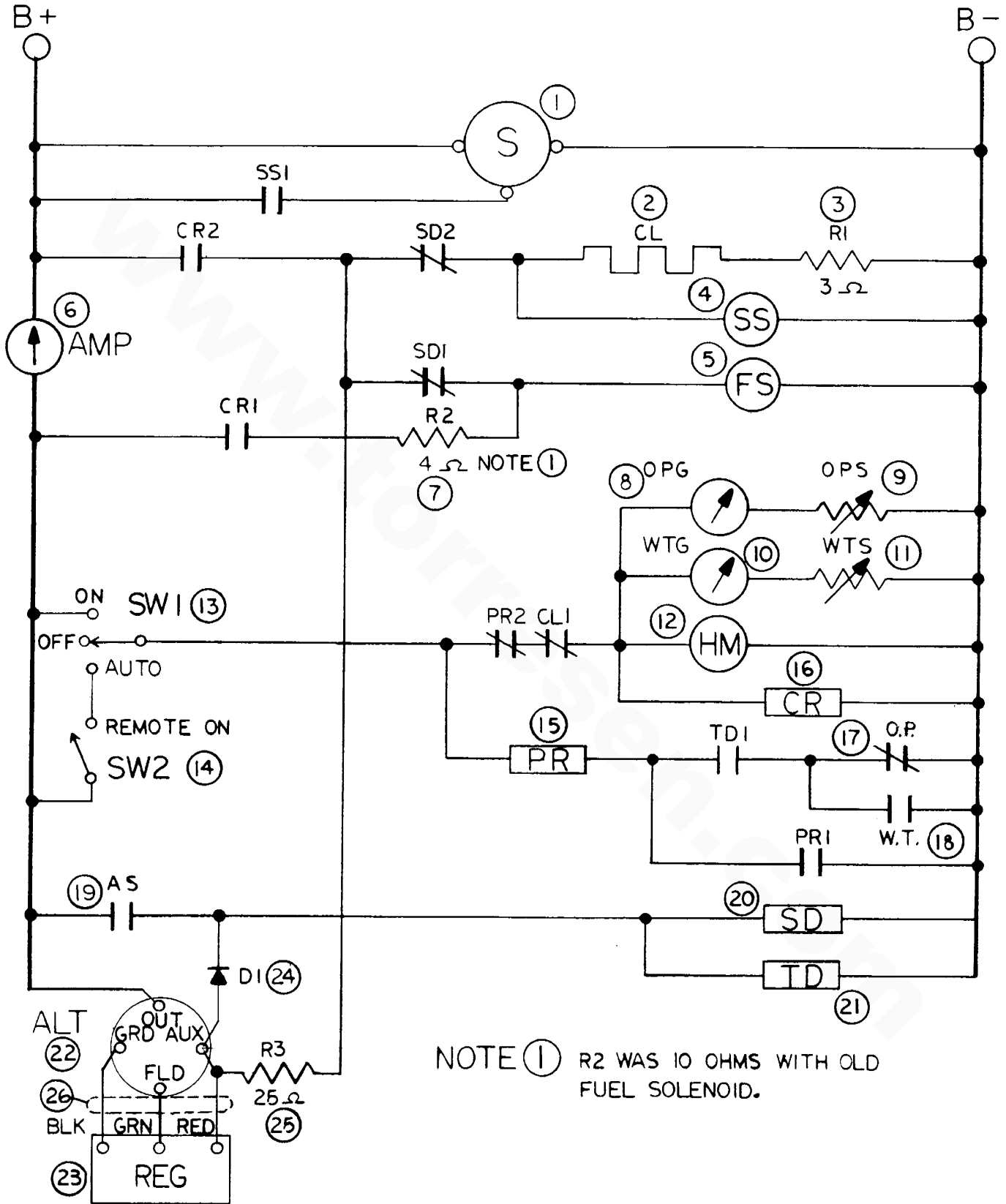
- 24
- 25
- 26
- 27

Drawing No 13313E

GENERATOR CONTROL - START DISCONNECT BY 2 AIR SWITCHES 2 TIMERS

| REF | PN | NAME | REMARKS | QUAN |
|-------|-------|------------|---|------|
| 1 | 11488 | MOTOR | STARTING | 1 |
| 2 | 11581 | AMMETER | SW | 1 |
| 3 | 11550 | REGULATOR | | 1 |
| 4 | 19270 | ALTERNATOR | 55 AMP - 12 VOLT - NEG GND | 1 |
| 5 | 11468 | FUSE | 15 AMP | 1 |
| 6 | 11576 | SWITCH | CONTROL | 1 |
| 7 | 12980 | SWITCH | REMOTE | 1 |
| 8 | 11432 | LAMP | | 3 |
| 9 | 11545 | GAUGE | WATER TEMPERATURE - SW | 1 |
| 10 | 11543 | SENDER | WATER TEMPERATURE - SW | 1 |
| 11 | 11544 | GAUGE | OIL PRESSURE - SW | 1 |
| 12 | 11542 | SENDER | OIL PRESSURE - SW | 1 |
| 13 | 12892 | HOURMETER | | 1 |
| 14 | 11582 | RELAY | | 1 |
| 15 | 12891 | RESISTOR | 4 OHM | 1 |
| 16 | 33348 | SWITCH | OIL PRESSURE | 1 |
| 17 | 12884 | SWITCH | WATER TEMPERATURE | 1 |
| 18 | 11489 | SOLENOID | START | 1 |
| 19- 1 | 13844 | SWITCH | AIR - COMPLETE ASSY INCL VANE | 2 |
| 19- 2 | 13845 | VANE | AIR SWITCH | 2 |
| 20 | 11952 | SOLENOID | FUEL-NLA USE 21824 KIT | 1 |
| 21- 1 | 12894 | SWITCH | TIME DELAY | 1 |
| 21- 2 | 12893 | SWITCH | TIME DELAY | 1 |
| 22 | 11549 | HARNESS | REGULATOR TO ALTERNATOR | 1 |
| 24 | 13836 | CABLE | TERMINATED-10'-PANEL TO TERMINAL BLOCK | 1 |
| 25 | 12321 | PANEL | COMPLETE | 1 |
| 26 | 12960 | HARNESS | GENERATOR COMPONENTS TO TERMINAL BLOCK | 1 |
| 27- 1 | 11460 | DIODE | ALTERNATOR AUXILIARY OUTPUT SUPPRESSING | 1 |
| 27- 2 | 16011 | TERMINAL | DIODE 11460 MOUNTING | 1 |
| 27- 3 | 16012 | KIT | DIODE 11460 INSTALLATION | 1 |

GENERATOR CONTROL: START DISCONNECT BY ALT OUTPUT OR AIR SWITCH

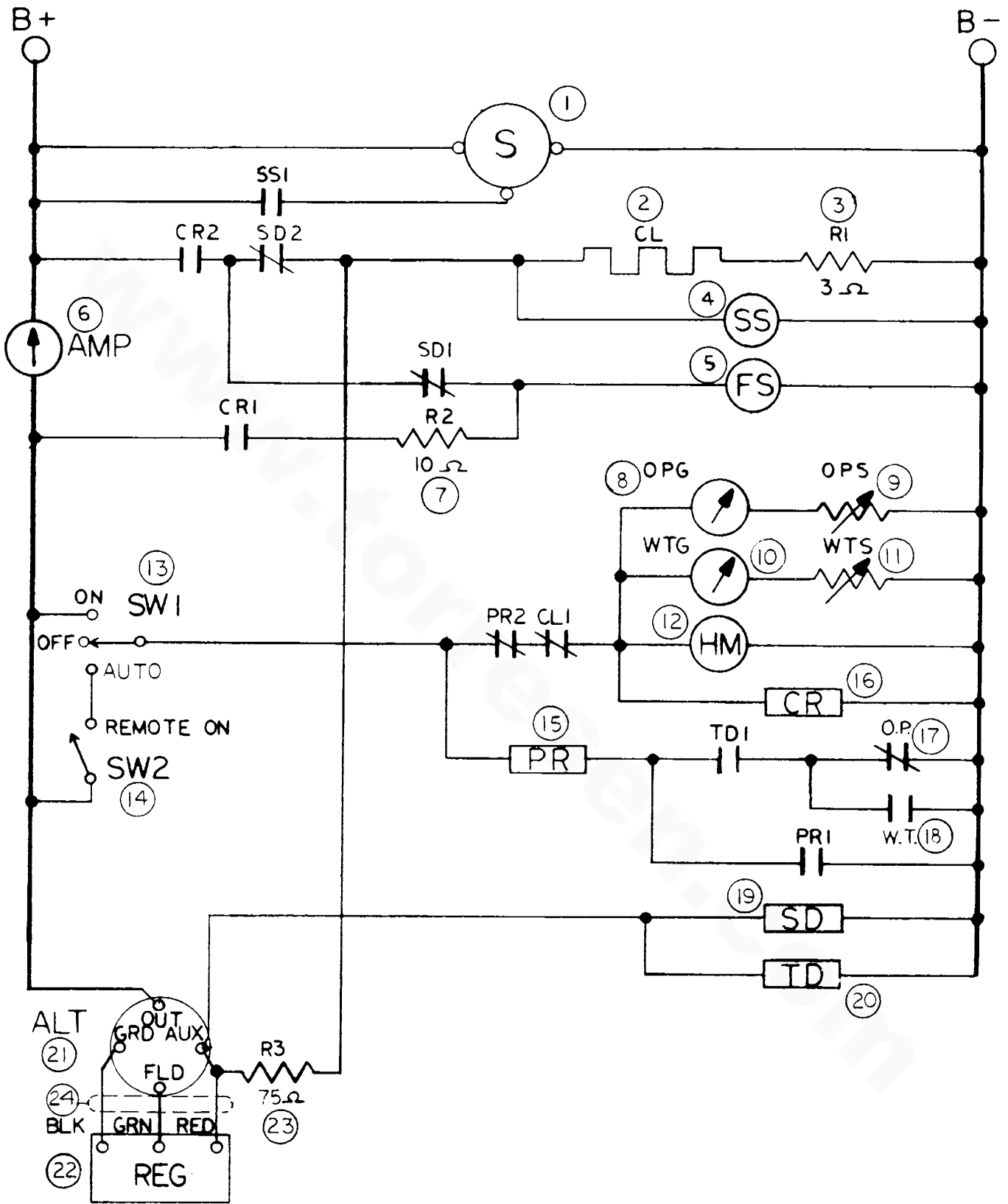


Drawing No. 12868C

GENERATOR CONTROL - START DISCONNECT BY ALT OUTPUT OR AIR SWITCH

| REF | PN | NAME | REMARKS | QUAN |
|-------|-------|------------|----------------------------------|------|
| 1 | 11488 | MOTOR | STARTER | 1 |
| 2 | 11577 | RELAY | CRANKING LIMITER | 1 |
| 3 | 11466 | RESISTOR | 3 OHM | 1 |
| 4 | 11489 | SOLENOID | START | 1 |
| 5 | 11952 | SOLENOID | FUEL-NLA USE 21824 KIT | 1 |
| 6 | 11581 | AMMETER | SW | 1 |
| 7- 1 | 11465 | RESISTOR | 10 OHM - OLD FUEL SOLENOID 12063 | 1 |
| 2- 2 | 12891 | RESISTOR | 4 OHM - NEW FUEL SOLENOID 11952 | 1 |
| 8 | 11544 | GAUGE | OIL PRESSURE - SW | 1 |
| 9 | 11542 | SENDER | OIL PRESSURE - SW | 1 |
| 10 | 11545 | GAUGE | WATER TEMPERATURE - SW | 1 |
| 11 | 11543 | SENDER | WATER TEMPERATURE - SW | 1 |
| 12 | 12892 | HOURMETER | | 1 |
| 13 | 11576 | SWITCH | CONTROL | 1 |
| 14 | 11426 | SWITCH | REMOTE | 1 |
| 15 | 11582 | RELAY | PROTECTIVE | 1 |
| 16 | 11582 | RELAY | CONTROL | 1 |
| 17 | 11552 | SWITCH | OIL PRESSURE | 1 |
| 18 | 30125 | SWITCH | WATER TEMPERATURE | 1 |
| 19- 1 | 13844 | SWITCH | AIR GENERATOR EXHAUST | 1 |
| 19- 2 | 13845 | VANE | AIR SWITCH | 1 |
| 20 | 11582 | RELAY | START DISCONNECT | 1 |
| 21 | 11579 | RELAY | TIME DELAY | 1 |
| 22 | 19270 | ALTERNATOR | 55 AMP - 12 VOLT - NEG GND | 1 |
| 23 | 11550 | REGULATOR | | 1 |
| 24 | 11460 | DIODE | | 1 |
| 25 | 11588 | RESISTOR | 25 OHM | 1 |
| 26 | 11549 | HARNESS | REGULATOR TO ALTERNATOR | 1 |

GENERATOR CONTROL: START DISCONNECT BY ALTERNATOR OUTPUT ONLY

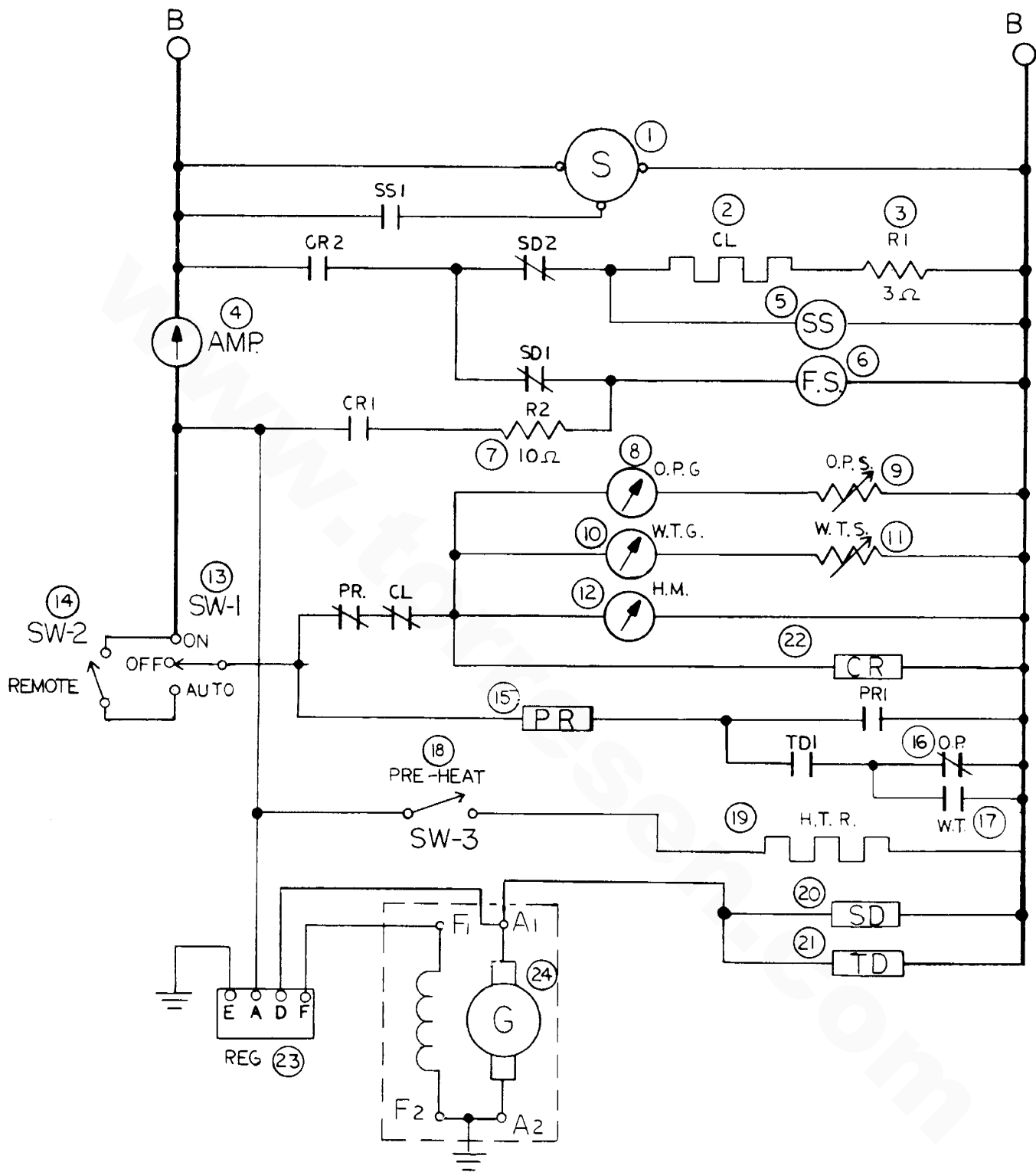


Drawing No. 13795B

GENERATOR CONTROL - START DISCONNECT BY ALTERNATOR OUTPUT ONLY

| REF | PN | NAME | REMARKS | QUAN |
|-----|-------|------------|----------------------------|------|
| 1 | 11488 | MOTOR | STARTER | 1 |
| 2 | 11577 | RELAY | CRANKING LIMITER | 1 |
| 3 | 11466 | RESISTOR | 3 OHM | 1 |
| 4 | 11489 | SOLENOID | START | 1 |
| 5 | 23041 | SOLENOID | FUEL | 1 |
| 6 | 11581 | AMMETER | SW | 1 |
| 7 | 11465 | RESISTOR | 10 OHM | 1 |
| 8 | 11544 | GAUGE | OIL PRESSURE - SW | 1 |
| 9 | 11542 | SENDER | OIL PRESSURE - SW | 1 |
| 10 | 11545 | GAUGE | WATER TEMPERATURE - SW | 1 |
| 11 | 11543 | SENDER | WATER TEMPERATURE - SW | 1 |
| 12 | 12892 | HOURMETER | | 1 |
| 13 | 11576 | SWITCH | CONTROL | 1 |
| 14 | 11426 | SWITCH | REMOTE | 1 |
| 15 | 11582 | RELAY | PROTECTIVE | 1 |
| 16 | 11582 | RELAY | CONTROL | 1 |
| 17 | 11552 | SWITCH | OIL PRESSURE | 1 |
| 18 | 30125 | SWITCH | WATER TEMPERATURE | 1 |
| 19 | 11582 | RELAY | START DISCONNECT | 1 |
| 20 | 11579 | RELAY | TIME DELAY | 1 |
| 21 | 19270 | ALTERNATOR | 55 AMP - 12 VOLT - NEG GND | 1 |
| 22 | 11550 | REGULATOR | | 1 |
| 23 | 11789 | RESISTOR | 75 OHM | 1 |
| 24 | 11549 | HARNESS | REGULATOR TO ALTERNATOR | 1 |

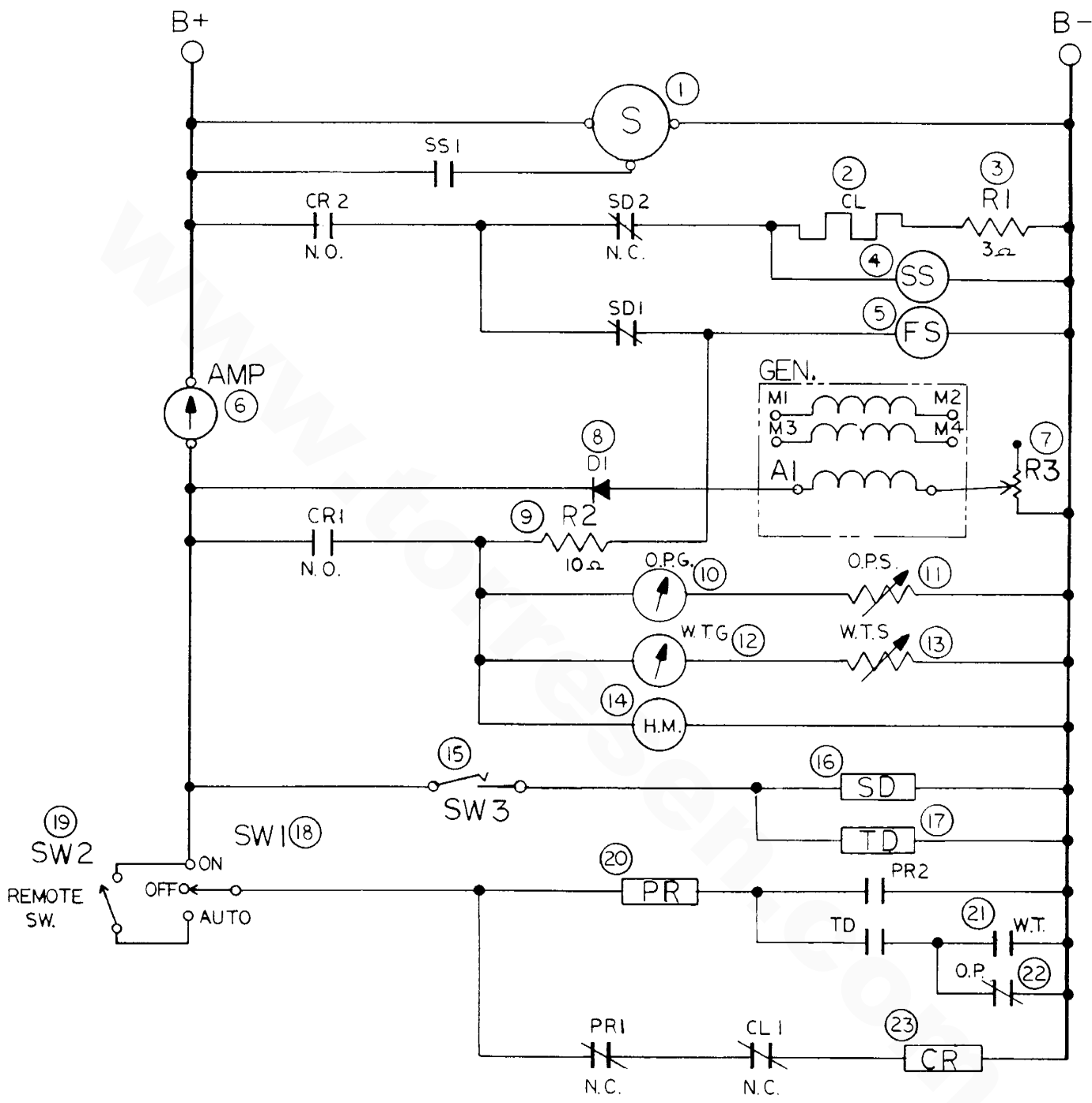
GENERATOR CONTROL: START DISCONNECT BY DC BATTERY CHARGING GENERATOR



GENERATOR CONTROL - START DISCONNECT BY DC BATTERY CHARGING GENERATOR

| REF | PN | NAME | REMARKS | QUAN |
|-----|-------|------------|------------------------|------|
| 1 | E1488 | MOTOR | STARTER | 1 |
| 2 | 11577 | RELAY | CRANKING LIMITER | 1 |
| 3 | 11466 | RESISTOR | 3 OHM | 1 |
| 4 | 11581 | AMMETER | SW | 1 |
| 5 | 11489 | SOLENOID | START | 1 |
| 6 | 11952 | SOLENOID | FUEL-NLA USE 21824 KIT | 1 |
| 7 | 11465 | RESISTOR | 10 OHM | 1 |
| 8 | 11544 | GAUGE | OIL PRESSURE - SW | 1 |
| 9 | 11542 | SENDER | OIL PRESSURE - SW | 1 |
| 10 | 11545 | GAUGE | WATER TEMPERATURE - SW | 1 |
| 11 | 11543 | SENDER | WATER TEMPERATURE - SW | 1 |
| 12 | 12892 | HOURLMETER | | 1 |
| 13 | 11576 | SWITCH | CONTROL | 1 |
| 14 | 11426 | SWITCH | REMOTE | 1 |
| 15 | E1582 | RELAY | PROTECTIVE | 1 |
| 16 | 11552 | SWITCH | OIL PRESSURE | 1 |
| 17 | 30125 | SWITCH | WATER TEMPERATURE | 1 |
| 18 | 11714 | SWITCH | PREHEAT-NLA | 1 |
| 19 | 11530 | HEATER | MANIFOLD | 1 |
| 20 | 11582 | RELAY | START DISCONNECT | 1 |
| 21 | 11579 | RELAY | TIME DELAY | 1 |
| 22 | 11582 | RELAY | CONTROL | 1 |
| 23 | E3790 | REGULATOR | | 1 |
| 24 | E3789 | GENERATOR | DC BATTERY CHARGING | 1 |

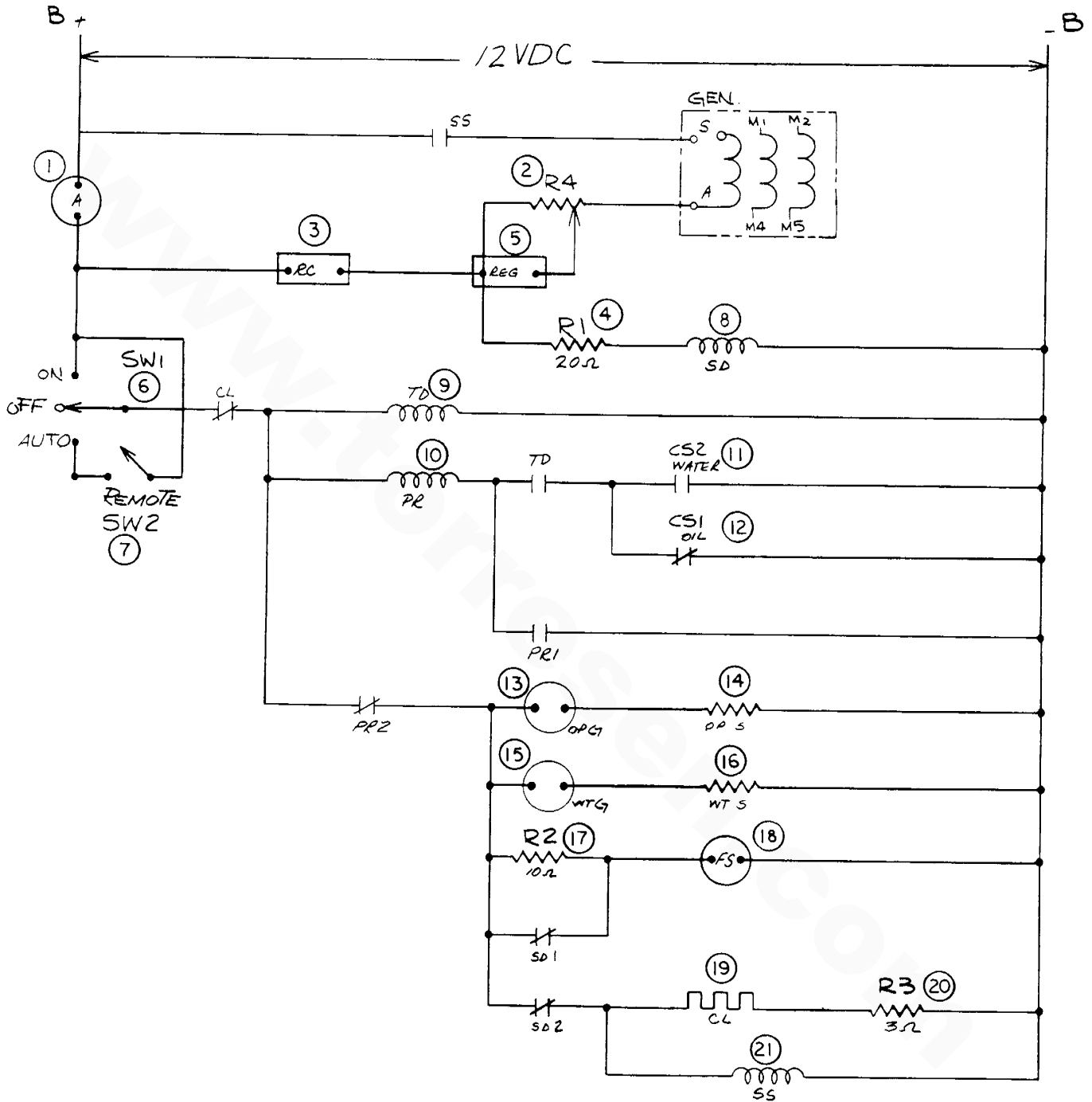
GENERATOR CONTROL: CHARGE WINDING & START DISCONNECT BY SPEED SWITCH



Drawing No. 13743

| REF | PN | NAME | REMARKS | QUAN |
|-----|-------|-----------|------------------------|------|
| 1 | 11488 | MOTOR | STARTER | 1 |
| 2 | 11577 | RELAY | CRANKING LIMITER | 1 |
| 3 | 11466 | RESISTOR | 3 OHM | 1 |
| 4 | 11489 | SOLENOID | START | 1 |
| 5 | 12063 | SOLENOID | FUEL-NLA | 1 |
| 6 | 11581 | AMMETER | SW | 1 |
| 7 | 13792 | RESISTOR | VARIABLE CHARGING | 1 |
| 8 | 13794 | DIODE | | 1 |
| 9 | 11465 | RESISTOR | 10 OHM | 1 |
| 10 | 11544 | GAUGE | OIL PRESSURE - SW | 1 |
| 11 | 11542 | SENDER | OIL PRESSURE - SW | 1 |
| 12 | 11545 | GAUGE | WATER TEMPERATURE - SW | 1 |
| 13 | 11543 | SENDER | WATER TEMPERATURE - SW | 1 |
| 14 | 12892 | HOURMETER | | 1 |
| 15 | 11790 | SWITCH | CENTRIFUGAL SPEED | 1 |
| 16 | 11582 | RELAY | START DISCONNECT | 1 |
| 17 | 11579 | RELAY | TIME DELAY | 1 |
| 18 | 11576 | SWITCH | CONTROL | 1 |
| 19 | 11426 | SWITCH | REMOTE | 1 |
| 20 | 11582 | RELAY | PROTECTIVE | 1 |
| 21 | 30125 | SWITCH | WATER TEMPERATURE | 1 |
| 22 | 11552 | SWITCH | OIL PRESSURE | 1 |
| 23 | 11582 | RELAY | CONTROL | 1 |

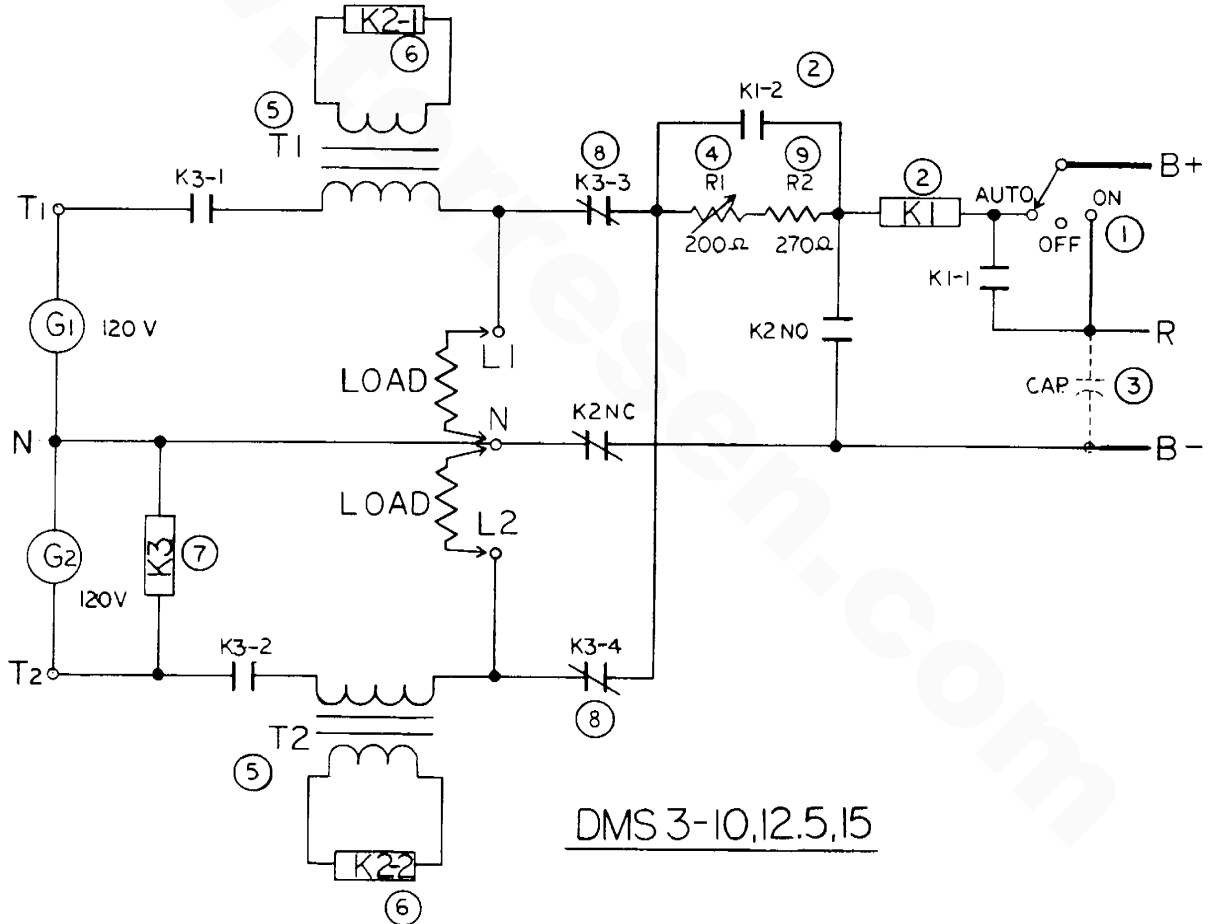
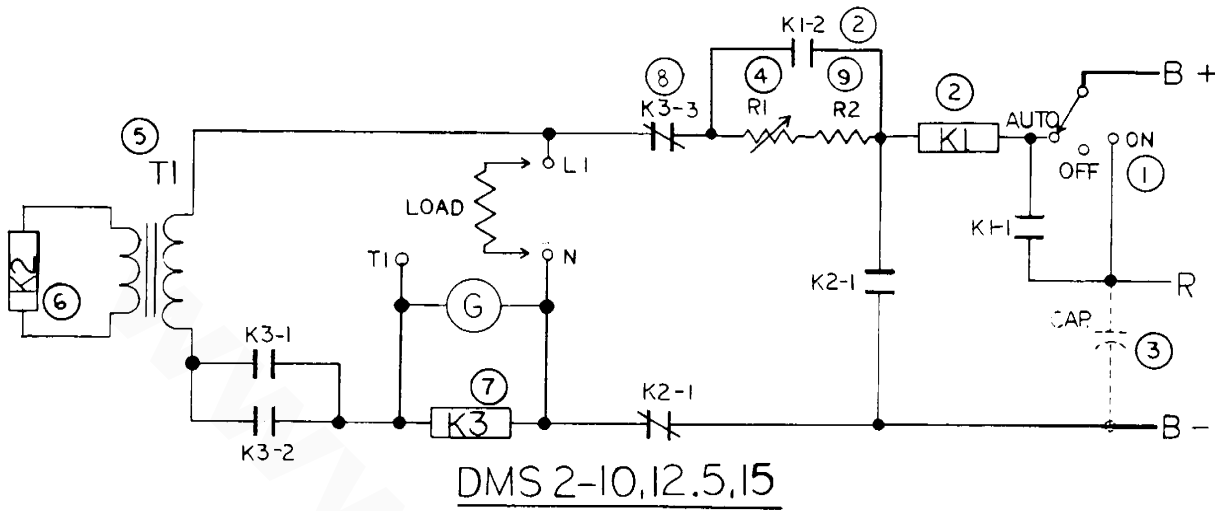
GENERATOR CONTROL: AUXILIARY CHARGING & STARTING WINDINGS



GENERATOR CONTROL - AUXILIARY CHARGING & STARTING WINDINGS

| REF | PN | NAME | REMARKS | QUAN |
|-----|-------|-----------|------------------------|------|
| 1 | 11581 | AMMETER | SW | 1 |
| 2 | 13792 | RESISTOR | VARIABLE CHARGING | 1 |
| 3 | 12966 | RELAY | REVERSE CURRENT | 1 |
| 4 | 13791 | RESISTOR | 20 OHM 25 WATT 5%-NLA | 1 |
| 5 | 13793 | REGULATOR | CHARGING | 1 |
| 6 | 11576 | SWITCH | CONTROL | 1 |
| 7 | 11426 | SWITCH | REMOTE | 1 |
| 8 | 11582 | RELAY | START DISCONNECT | 1 |
| 9 | 11579 | RELAY | TIME DELAY | 1 |
| 10 | 11582 | RELAY | PROTECTIVE | 1 |
| 11 | 30125 | SWITCH | WATER TEMPERATURE | 1 |
| 12 | 11552 | SWITCH | OIL PRESSURE | 1 |
| 13 | 11544 | GAUGE | OIL PRESSURE - SW | 1 |
| 14 | 11542 | SENDER | OIL PRESSURE - SW | 1 |
| 15 | 11545 | GAUGE | WATER TEMPERATURE - SW | 1 |
| 16 | 11543 | SENDER | WATER TEMPERATURE - SW | 1 |
| 17 | 11465 | RESISTOR | 10 OHM | 1 |
| 18 | 11952 | SOLENOID | FUEL-NLA USE 21824 KIT | 1 |
| 19 | 11577 | RELAY | CRANKING LIMITER | 1 |
| 20 | 11466 | RESISTOR | 3 OHM | 1 |
| 21 | 11489 | SOLENOID | START | 1 |

DYNAMONITOR DM-2 & DM-3: 10-15 KW



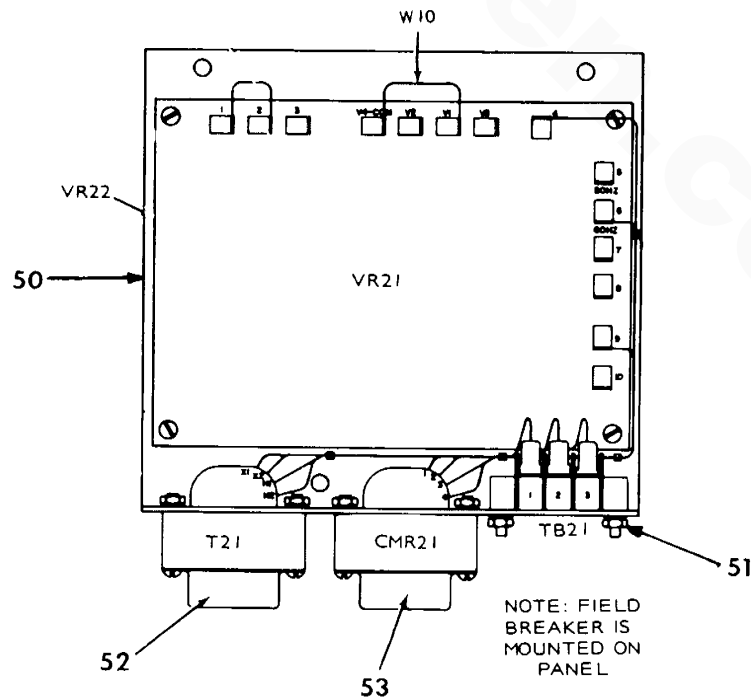
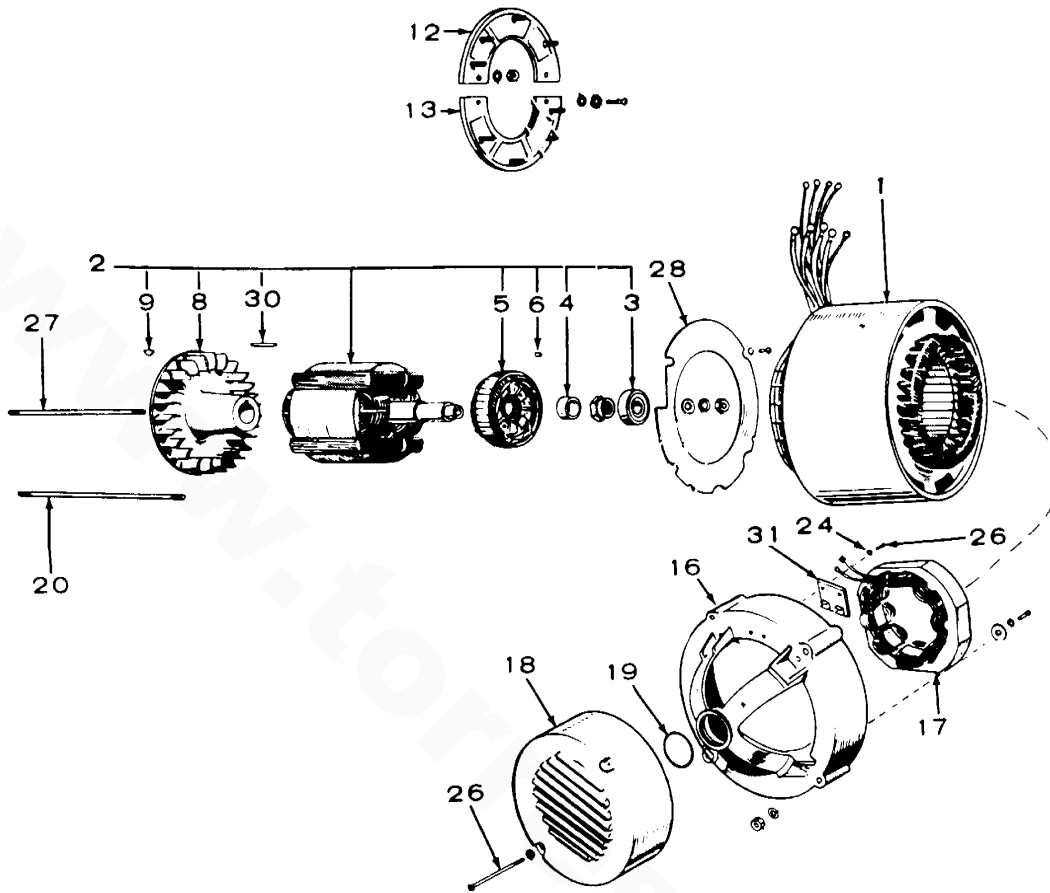
Drawing No. 13797A

DYNAMONITOR DM-2 & DM-3 - 10-15 KW

| REF | PN | NAME | REMARKS | QUAN |
|------|-------|------------|---------------------------------|------|
| 1 | 11427 | SWITCH | CONTROL | 1 |
| 2 | 11606 | RELAY | FICK UP | 1 |
| 3 | 11603 | CAPACITOR | NLA | 1 |
| 4 | 13787 | RESISTOR | VARIABLE | 1 |
| 5- 1 | 11607 | REACTOR | 3 WIRE - 15 KW & ALL 2 WIRE-NLA | 2 |
| 5- 2 | 11610 | REACTOR | 3 WIRE - 10/12.5 KW-NLA | 2 |
| 6 | 11602 | RELAY | MAINTAINING-NLA | 1 |
| 7 | 11601 | CONTACTOR- | NLA | 1 |
| 8 | 11609 | SWITCH | CONTACTOR-NLA | 2 |
| 9 | 13786 | RESISTOR | 270 OHM | 1 |

www.torresen.com

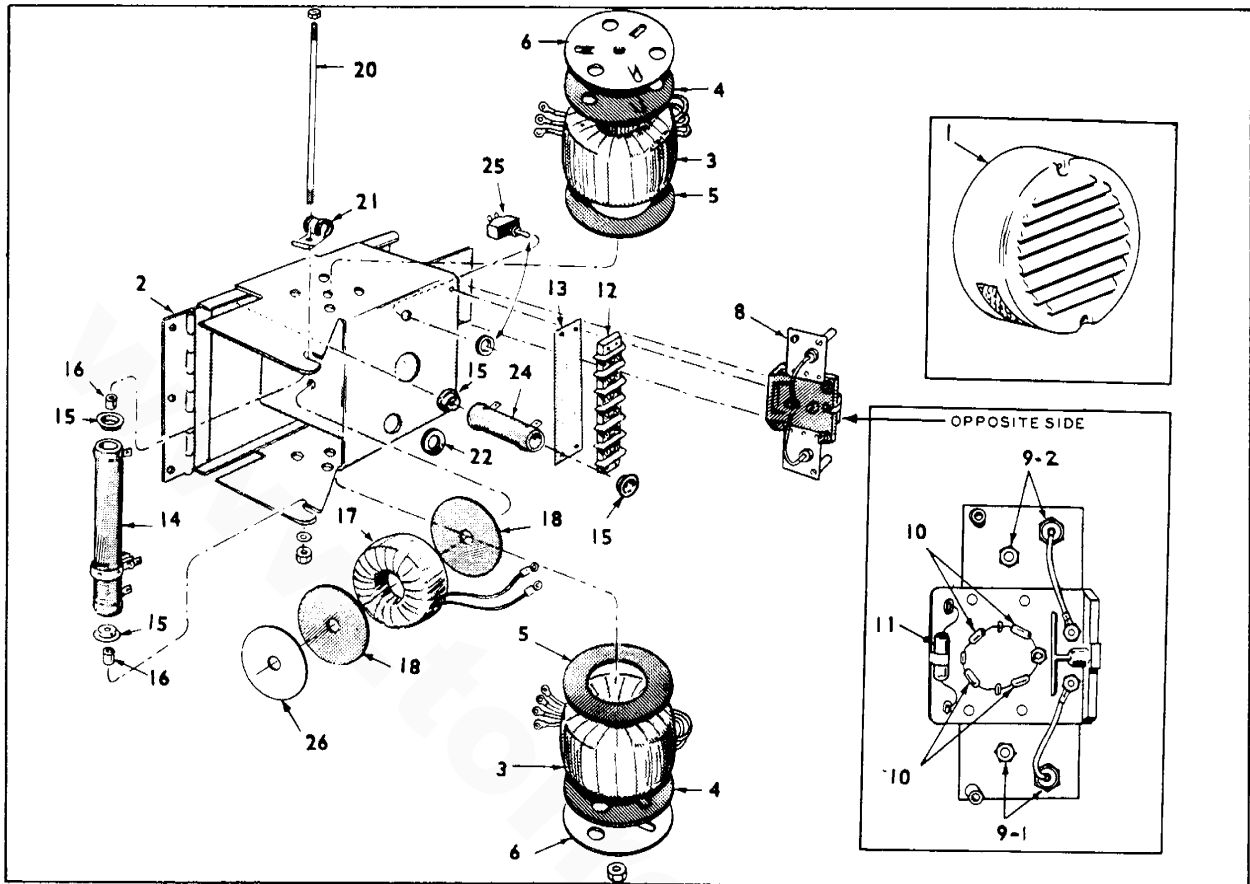
WESTERBEKE 10 - 15 KW GENERATOR - YD SERIES



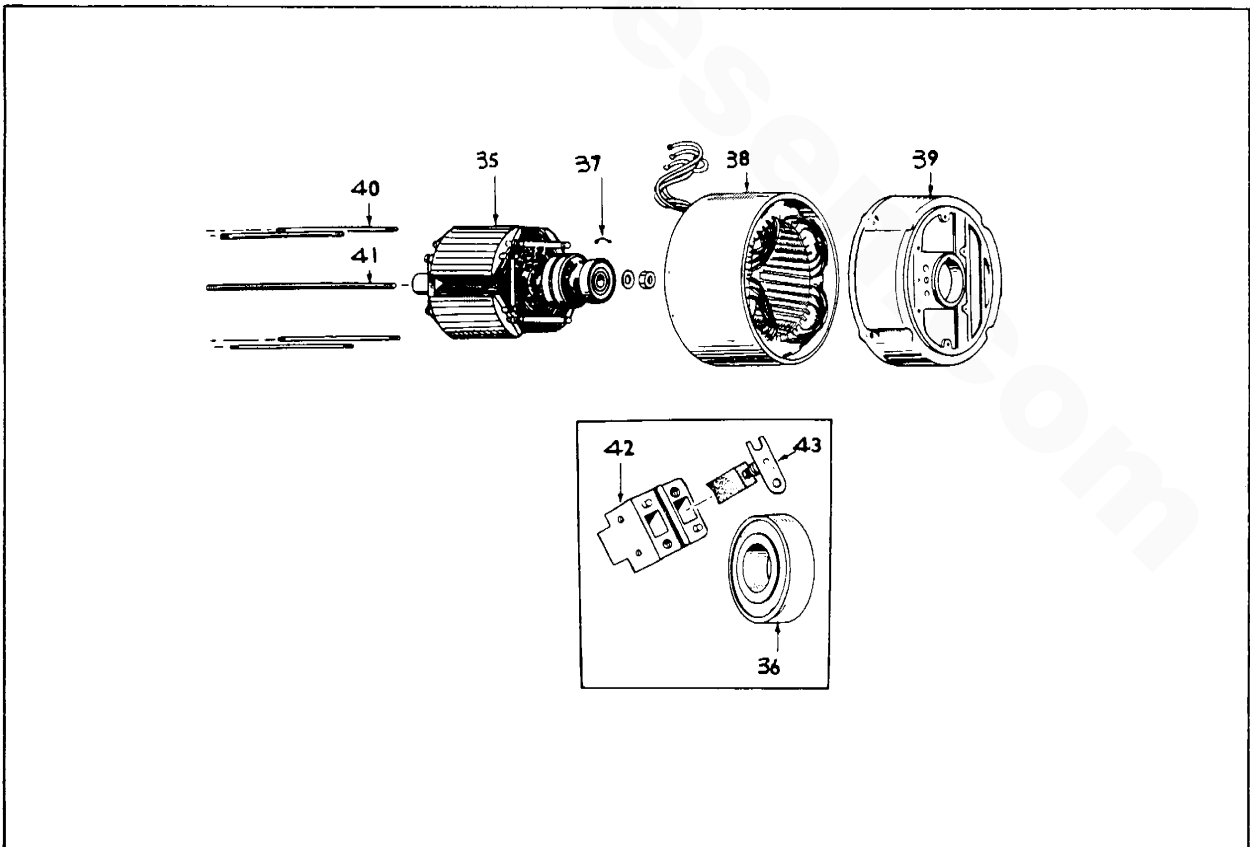
WESTERBEKE 10 - 15 KW GENERATOR - YD SERIES

| REF | PN | NAME | REMARKS | QUAN |
|-------|-------|------------|-------------------------|------|
| 1- 1 | 21785 | STATOR | 10 YD | 1 |
| 1- 2 | 21786 | STATOR | 15 YD | 1 |
| 2- 1 | 21782 | ROTOR | ASSEMBLY - 10 YD | 1 |
| 2- 2 | 21783 | ROTOR | ASSEMBLY - 15 YD | 1 |
| 3 | 21789 | BEARING | ROTOR | 1 |
| 4 | 21790 | SPACER | BEARING | 1 |
| 5 | 21791 | ROTOR | EXCITER - WOUND | 1 |
| 6 | 21792 | KEY | EXCITER ROTOR | 1 |
| 8 | 21793 | FAN | GENERATOR | 1 |
| 9 | 21804 | KEY | DRIVE COUPLING | 1 |
| 10- 1 | 20914 | GENERATOR | COMPLETE-10YD | 1 |
| 10- 2 | 20915 | GENERATOR | COMPLETE-15YD | 1 |
| 12 | 21795 | RECTIFIER | ASSEMBLY - POSITIVE | 1 |
| 13 | 21796 | RECTIFIER | ASSEMBLY - NEGATIVE | 1 |
| 16 | 21797 | HOUSING | GENERATOR END | 1 |
| 17 | 21798 | STATOR | EXCITER - WOUND | 1 |
| 18 | 14260 | COVER | END BELL | 1 |
| 19 | 21800 | SEAL | BEARING | 1 |
| 20 | 21801 | STUD | GENERATOR THROUGH | 1 |
| 26 | 21802 | SCREW | END BELL COVER | 2 |
| 27 | 21805 | STUD | ROTOR THROUGH | 1 |
| 28 | 21803 | BAFFLE | AIR | 1 |
| 30 | 21794 | KEY | FAN | 1 |
| 31 | 21806 | BOARD | CONNECTION | 1 |
| 40 | 21811 | SCREW | END BELL COVER MOUNTING | 2 |
| 50 | 21799 | BOARD | ASSEMBLY - REGULATOR | 1 |
| 51 | 21807 | STRIP | TERMINAL | 1 |
| 52 | 21809 | TRANSFORMR | VOLTAGE REFERENCE | 1 |
| 53 | 21810 | REACTOR | | 1 |
| 54 | 21808 | BREAKER | CIRCUIT - NOT SHOWN | 1 |

WESTERBEKE 10-15 KW GENERATOR - EXCITER - JC SERIES



28

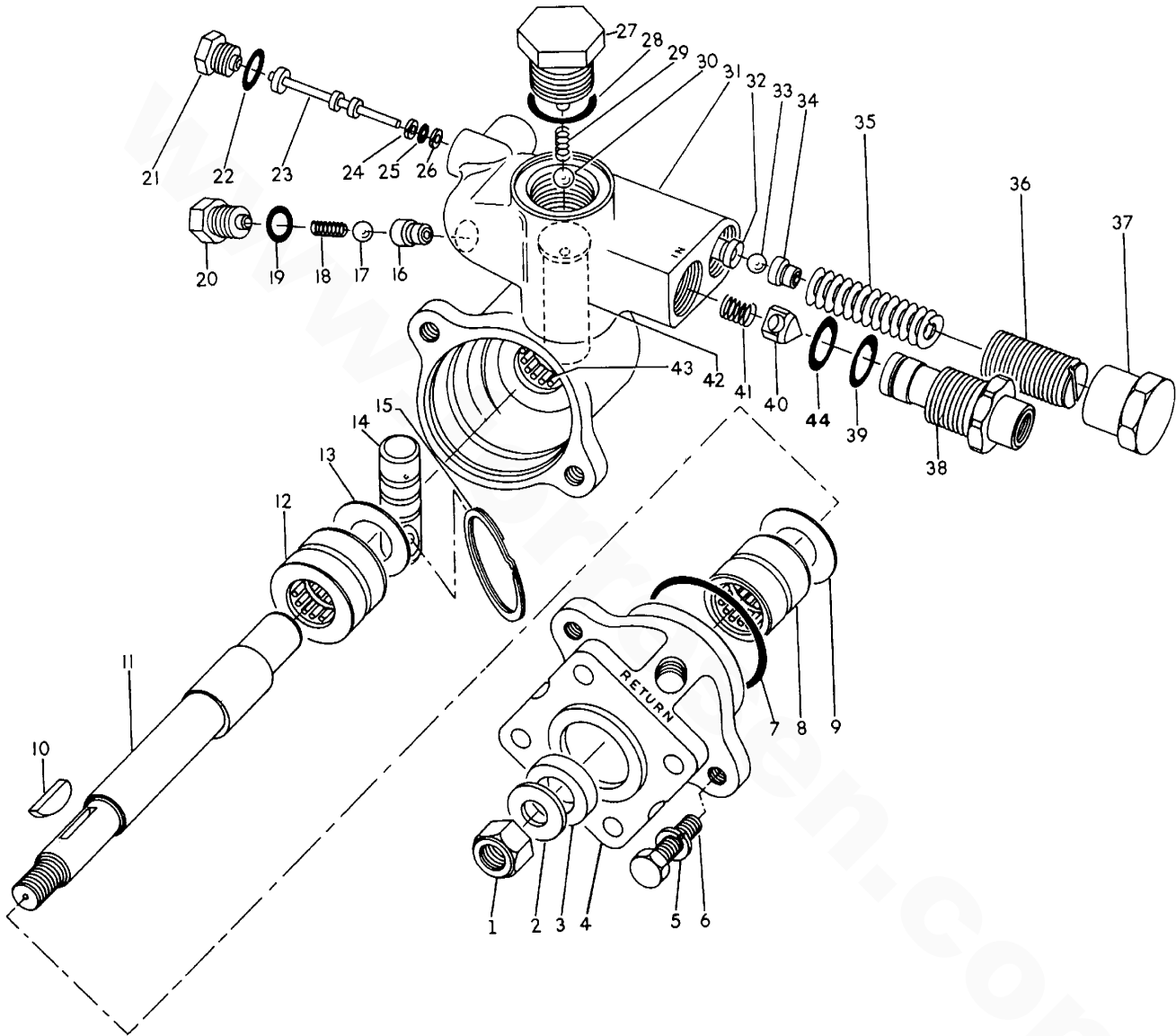


34

WESTERBEKE 10-15 KW GENERATOR - EXCITER - JC SERIES

| REF | PN | NAME | REMARKS | QUAN |
|-------|-------|-----------|--|------|
| 1 | 14260 | COVER | EXCITER | 1 |
| 2 | 14261 | FANEL | EXCITER | 1 |
| 3 | 14272 | REACTOR | GATE | 2 |
| 4 | 14259 | GASKET | GUTER-GATE REACTOR | 2 |
| 5 | 14257 | GASKET | INNER-GATE REACTOR | 2 |
| 6 | 14258 | RETAINER | | 2 |
| 8 | 14269 | RECTIFIER | ASSEMBLY | 1 |
| 9- 1 | 14266 | RECTIFIER | NEG STUD - RED LEAD | 2 |
| 9- 2 | 14267 | RECTIFIER | POS STUD - BLACK LEAD | 2 |
| 10 | 14268 | RECTIFIER | VOLTAGE CONTROL | 4 |
| 11 | 14264 | RESISTOR | 150 OHM - 5 WATT | 1 |
| 12 | 14274 | BLOCK | TERMINAL | 1 |
| 13 | 14275 | MARKER | | 1 |
| 14 | 14265 | RESISTOR | 500 OHM - 50 WATT | 1 |
| 15 | 14262 | WASHER | RESISTOR MOUNTING | 2 |
| 16 | 14255 | SPACER | RESISTOR MOUNTING | 2 |
| 17 | 14271 | REACTOR | VOLTAGE CONTROL | 1 |
| 18 | 14256 | GASKET | VOLTAGE CONTROL REACTOR | 2 |
| 20 | 14280 | STUD | RESISTOR MOUNTING | 1 |
| 21 | 14273 | CLIP | | 1 |
| 22 | 14276 | GROMMET | | 1 |
| 24 | 14263 | RESISTOR | 250 OHM - 25 WATT | 1 |
| 25 | 14270 | SWITCH | | 1 |
| 26 | 14281 | WASHER | | 1 |
| 27 | 14282 | NUT | | 2 |
| 28 | 14248 | EXCITER | COMPLETE | 1 |
| 34- 1 | 11520 | GENERATOR | COMPLETE - INCLUDING EXCITER - 10 KW | 1 |
| 34- 2 | 11521 | GENERATOR | COMPLETE - INCLUDING EXCITER - 12.5 KW | 1 |
| 34- 3 | 11522 | GENERATOR | COMPLETE - INCLUDING EXCITER - 15 KW | 1 |
| 35- 1 | 14247 | ROTOR | 10 KW | 1 |
| 35- 2 | 14285 | ROTOP | 12.5 KW | 1 |
| 35- 3 | 14284 | ROTOR | 15 KW | 1 |
| 36 | 14277 | BEARING | | 1 |
| 37 | 14254 | CLIP | BEARING | 4 |
| 38- 1 | 14252 | STATOR | 10 KW | 1 |
| 38- 2 | 14286 | STATOR | 12.5 KW | 1 |
| 38- 3 | 14287 | STATOR | 15 KW | 1 |
| 39 | 14249 | HOUSING | | 1 |
| 40- 1 | 14279 | STUD | 10 KW | 4 |
| 40- 2 | 14290 | STUD | 12.5 KW | 4 |
| 40- 3 | 14291 | STUD | 15 KW | 4 |
| 41- 1 | 14278 | STUD | 10 KW | 1 |
| 41- 2 | 14288 | STUD | 12.5 KW | 1 |
| 41- 3 | 14289 | STUD | 15 KW | 1 |
| 42 | 14250 | HOLDER | | 4 |
| 43 | 14251 | BRUSH | | 4 |

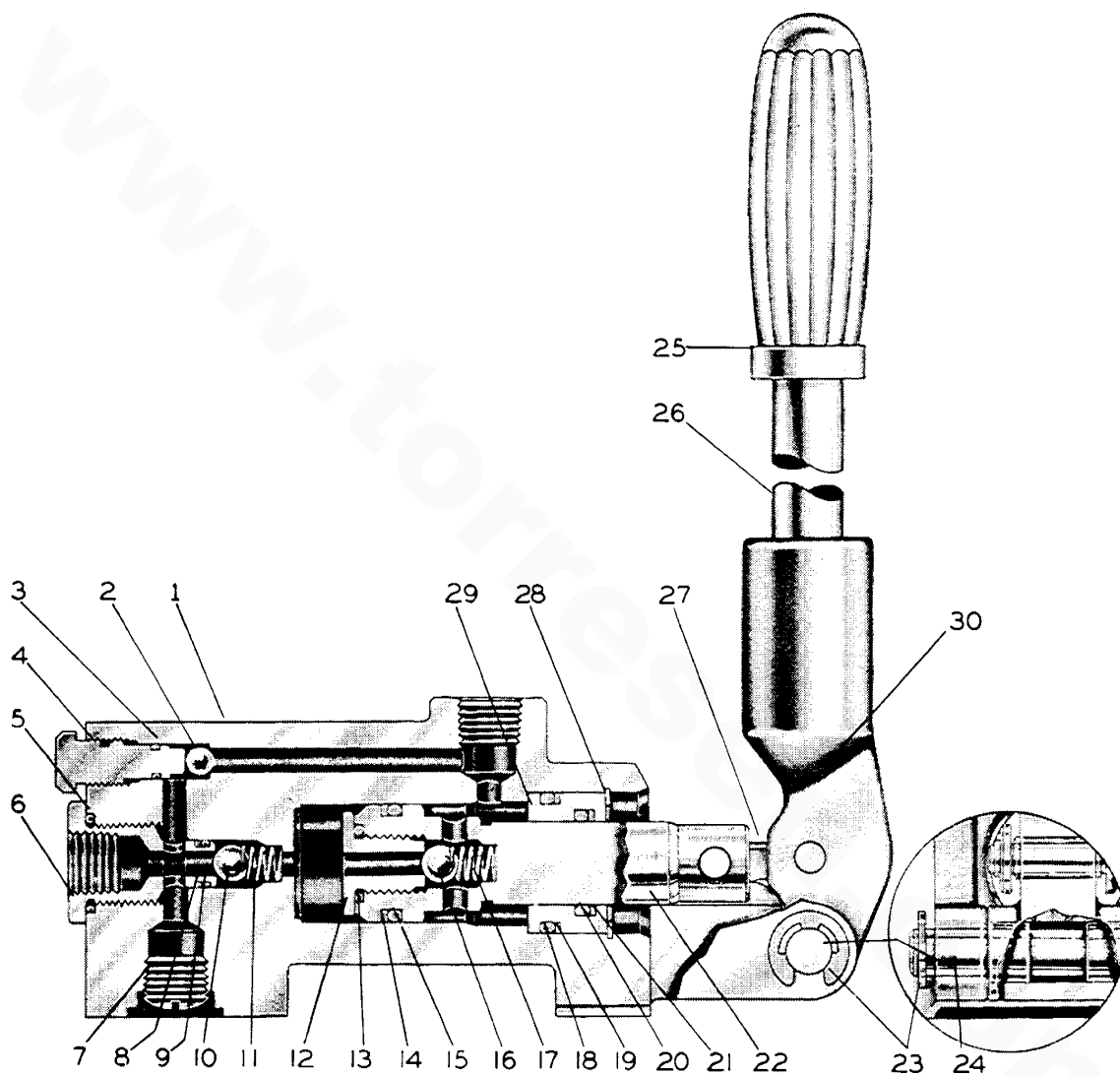
LIFEBOAT ENGINE DRIVEN HYDRAULIC PUMP



LIFEBOAT ENGINE DRIVEN HYDRAULIC PUMP

| REF | PN | NAME | REMARKS | QUAN |
|-------|-------|------------|-------------------------|------|
| 1 | 15587 | NUT | 1/2NF CASTLE | 1 |
| 2 | 15581 | WASHER | | 1 |
| 3 | 15602 | SEAL | OIL | 1 |
| 4 | 15660 | FLANGE | MOUNTING INCL REF 3 & 8 | 1 |
| 5 | 15584 | LOCKWASHER | | 2 |
| 6 | 15598 | SCREW | | 2 |
| 7 | 15595 | GASKET | | 1 |
| 8 | 15590 | BEARING | ROLLER | 1 |
| 9 | 15599 | WASHER | | 1 |
| 10 | 15583 | KEY | WOODRUFF | 1 |
| 11 | 15656 | SHAFT | DRIVE | 1 |
| 12 | 15625 | BEARING | NEEDLE | 1 |
| 13 | 15599 | WASHER | | 1 |
| 14 | 15661 | PISTON | | 1 |
| 15 | 15591 | RING | RETAINING | 2 |
| 16 | 15659 | SEAT | VALVE | 1 |
| 17 | 15618 | BALL | STEEL | 1 |
| 18 | 15662 | SPRING | VALVE | 1 |
| 19 | 15592 | GASKET | | 1 |
| 20 | 15669 | PLUG | | 1 |
| 21 | 15669 | PLUG | | 1 |
| 22 | 15592 | GASKET | | 1 |
| 23 | 15668 | FLUNGER | VALVE | 1 |
| 24 | 15613 | RING | | 1 |
| 25 | 15596 | GASKET | | 1 |
| 26 | 15613 | RING | | 1 |
| 27 | 15663 | PLUG | | 1 |
| 28 | 15593 | GASKET | | 1 |
| 29 | 15673 | SPRING | VALVE | 1 |
| 30 | 15618 | BALL | STEEL | 1 |
| 31- 1 | 15657 | HOUSING | | 1 |
| 31- 2 | 11696 | PUMP | COMPLETE | 1 |
| 31- 3 | 33389 | KIT | REPAIR | 1 |
| 32 | 15659 | SEAT | VALVE | 1 |
| 33 | 15618 | BALL | STEEL | 1 |
| 34 | 15667 | SEAT | VALVE | 1 |
| 35 | 15666 | SPRING | UNLOADING VALVE | 1 |
| 36 | 15665 | SCREW | SPRING ADJUSTING | 1 |
| 37 | 15664 | CAP | UNLOADING VALVE | 1 |
| 38 | 15672 | CONNECTOR | | 1 |
| 39 | 15594 | GASKET | | 1 |
| 40 | 15671 | VALVE | INLET | 1 |
| 41 | 15670 | SPRING | INLET VALVE | 1 |
| 42 | 15658 | SLEEVE | | 1 |
| 43 | 15624 | BEARING | NEEDLE | 1 |
| 44 | 33391 | RING | | 1 |

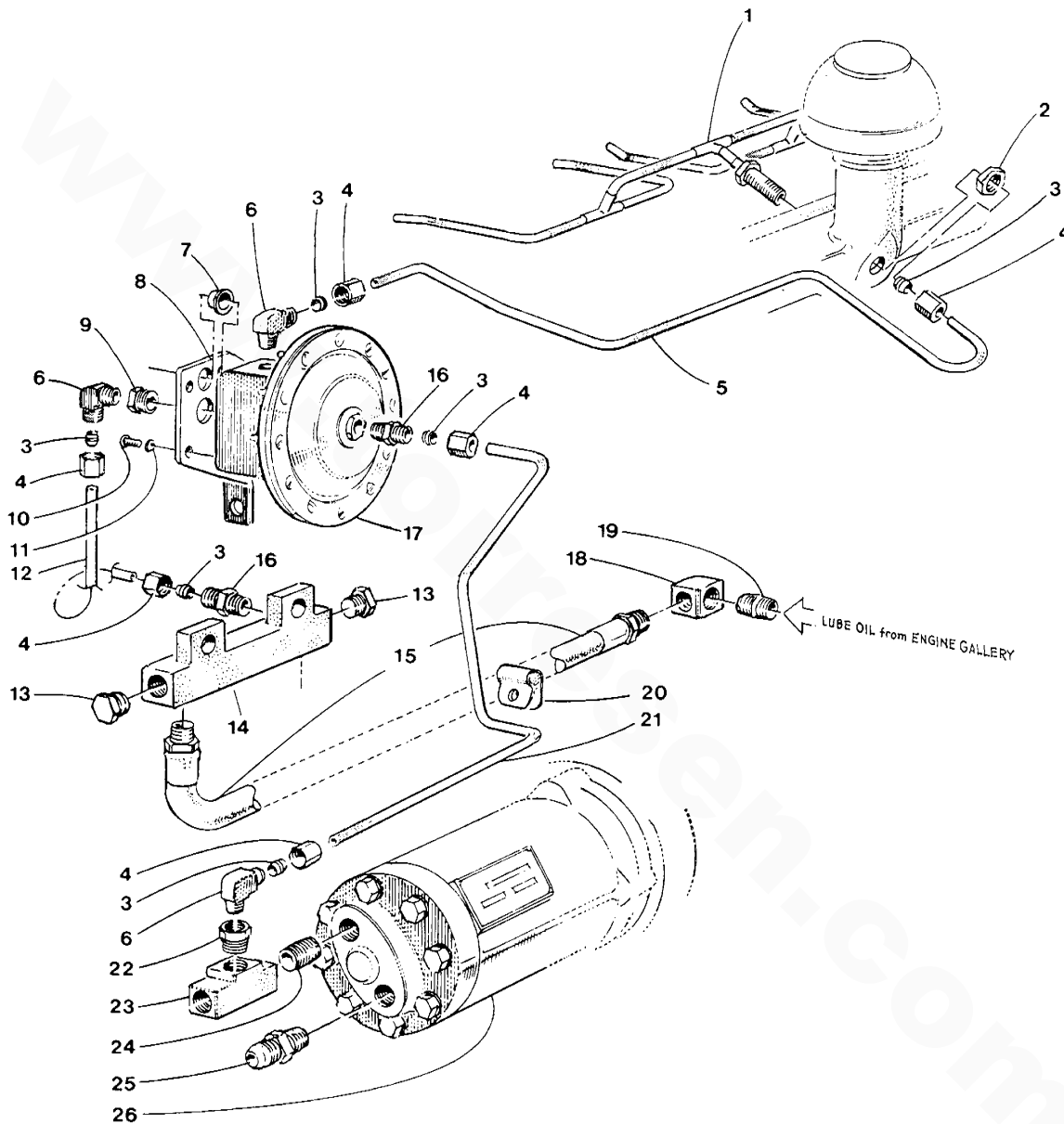
LIFEBOAT HAND OPERATED HYDRAULIC PUMP



LIFEBOAT HAND OPERATED HYDRAULIC PUMP

| REF | PN | NAME | REMARKS | QUAN |
|------|-------|------------|--------------------|------|
| 1- 1 | 15637 | HOUSING | PUMP | 1 |
| 1- 2 | 11621 | PUMP | COMPLETE | 1 |
| 1- 3 | 15674 | KIT | REPAIR | 1 |
| 2 | 15618 | BALL | BLEED VALVE | 1 |
| 3 | 15612 | GASKET | BLEED SCREW | 1 |
| 4 | 15644 | SCREW | BLEED | 1 |
| 5 | 15621 | GASKET | | 1 |
| 6 | 15638 | BUSHING | | 1 |
| 7 | 15589 | PLUG | | 1 |
| 8 | 15622 | RING | | 1 |
| 9 | 15623 | GASKET | | 1 |
| 10 | 15619 | BALL VALVE | INLET CHECK | 1 |
| 11 | 15642 | SPRING | INLET CHECK VALVE | 1 |
| 12 | 15641 | SEAT | OUTLET CHECK VALVE | 1 |
| 13 | 15609 | GASKET | | 1 |
| 14 | 15617 | RING | | 1 |
| 15 | 15610 | GASKET | | 1 |
| 16 | 15619 | BALL VALVE | GUTLET | 1 |
| 17 | 15642 | SPRING | CUTLET CHECK VALVE | 1 |
| 18 | 15611 | GASKET | | 1 |
| 19 | 15615 | RING | | 1 |
| 20 | 15606 | GASKET | | 1 |
| 21 | 15616 | RING | | 1 |
| 22 | 15639 | PLUNGER | | 1 |
| 23 | 15629 | RING | RETAINING | 2 |
| 24 | 15645 | PIN | CLEVIS | 1 |
| 25 | 15620 | GRIP | HANDLE-RUBBER | 1 |
| 26 | 11716 | HANDLE | ASSEMBLY WITH GRIP | 1 |
| 27 | 15628 | LINK | | 1 |
| 28 | 15607 | RING | RETAINING | 1 |
| 29 | 15640 | GLAND | PLUNGER | 1 |
| 30 | 15646 | LEVER | PUMP OPERATING | 1 |

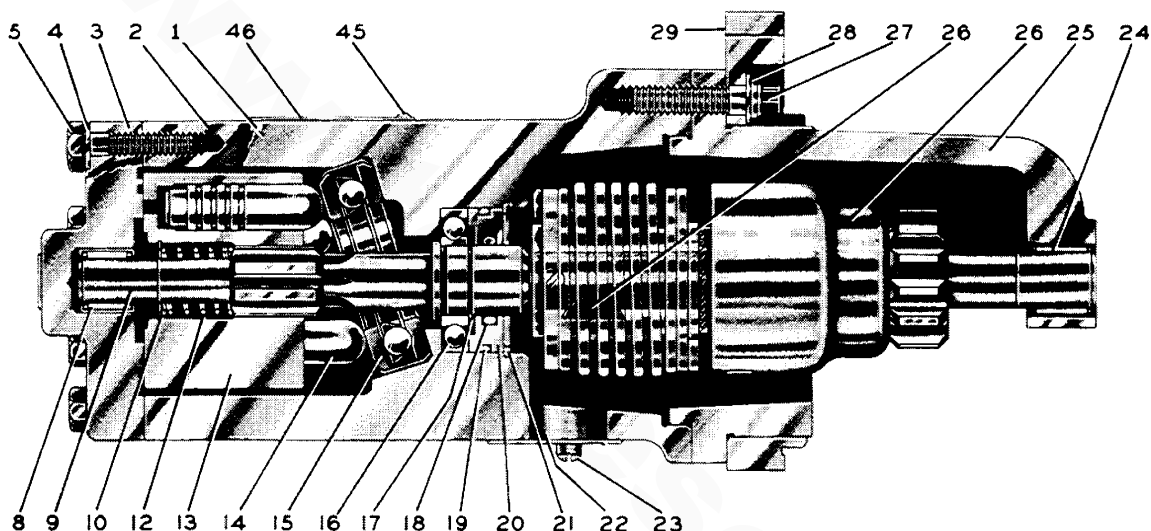
WESTERBEKE 40 - LUB-CEL



WESTERBEKE 40 - LUB-CEL

| REF | PN | NAME | REMARKS | QUAN |
|-------|-------|------------|--|------|
| 1 | 19453 | HEADER | ASSEMBLY | 1 |
| 2 | | NUT | | 1 |
| 3 | 11597 | FERRULE | COMPRESSION 1/4 | 6 |
| 4 | 16676 | NUT | COMPRESSION 1/4 | 6 |
| 5 | 19455 | LINE | LUBCEL TO MANIFOLD | 1 |
| 6 | 13329 | ELBOW | INCL NUT AND FERRULE | 3 |
| 7 | | PLUG | PLASTIC | 1 |
| 8 | 19443 | BRACKET | LUBCEL | 1 |
| 9 | 13339 | ADAPTER | | 1 |
| 10 | 31872 | SCREW | 10-32 X 1/2 | 4 |
| 11 | 31849 | LOCKWASHER | 10 | 4 |
| 12 | 19454 | LINE | OIL MANIFOLD TO LUBCEL | 1 |
| 13 | 11615 | PLUG | 1/8NPT | 4 |
| 14 | 11969 | MANIFOLD | OIL | 1 |
| 15 | 11981 | HOSE | OIL-BLOCK TO MANIFOLD | 1 |
| 16 | 19449 | CONNECTOR | MALE INCL NUT AND FERRULE | 2 |
| 17 | 19372 | LUBCEL | | 1 |
| 18 | 13328 | ELBOW | 1/8NPT BRASS | 1 |
| 19 | 11492 | NIPPLE | 1/8NPT | 1 |
| 20 | 12282 | CLAMP | SUPPORT LINE | 1 |
| 21- 1 | 19456 | LINE | STARTER 11620 TO LUBCEL | 1 |
| 21- 2 | 24261 | LINE | STARTER 19301 TO LUBCEL | 1 |
| 22 | 13717 | BUSHING | REDUCER | 1 |
| 23 | 13715 | TEE | 3/8NPT BRASS | 1 |
| 24 | 11650 | NIPPLE | 3/8NPT | 1 |
| 25 | 23126 | ADAPTER | PRESSURE REDUCING | 1 |
| 26- 1 | 11620 | MOTOR | STARTER-HYDR-MOUNTS AHEAD OF FLYWHEEL | 1 |
| 26- 2 | 19301 | MOTOR | STARTER-HYDRAULIC-MOUNTS AFT OF FLYWHEEL | 1 |

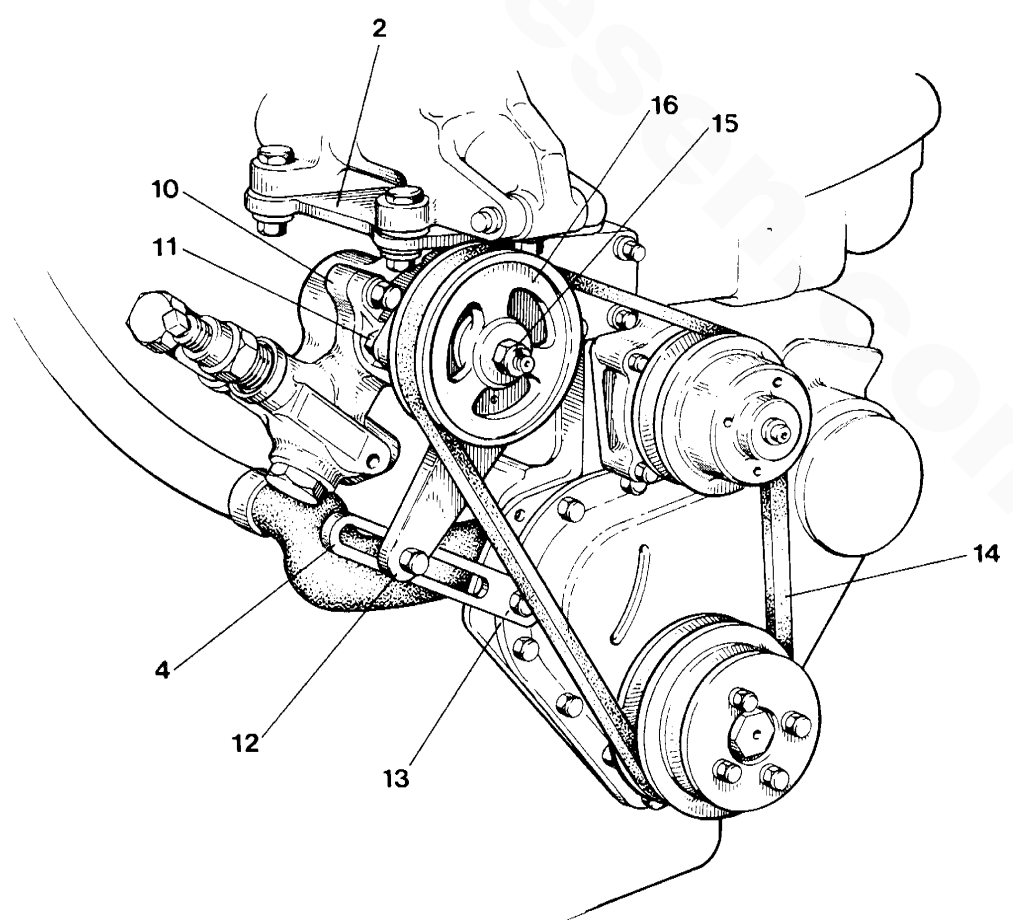
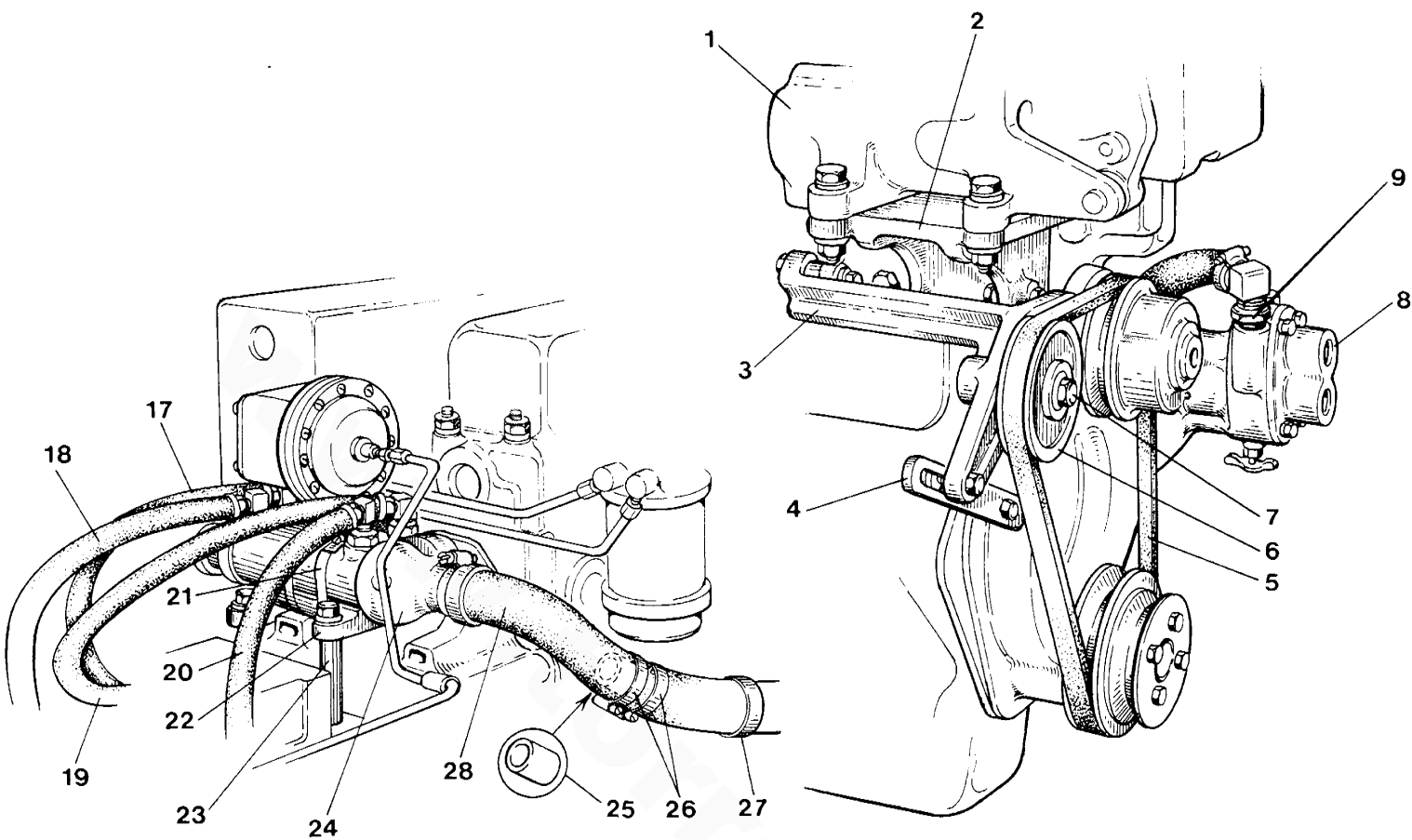
WESTERBEKE 4DLB - HYDRAULIC CRANKING MOTOR



WESTERBEKE 4DLB - HYDRAULIC CRANKING MOTOR

| REF | PN | NAME | REMARKS | QUAN |
|-------|-------|-----------|----------------------------|------|
| 1- 1 | 11620 | MOTOR | COMPLETE-TO AUG 1979 | 1 |
| 1- 2 | 19301 | MOTOR | COMPLETE-COMMON BACK END | 1 |
| 2 | 15647 | HOUSING | | 1 |
| 3 | 15648 | PLATE | | 1 |
| 4 | 15585 | WASHER | | 8 |
| 5 | 15597 | SCREW | | 8 |
| 8 | 15631 | BEARING | NEEDLE | 1 |
| 9 | 15649 | SHAFT | MOTOR | 1 |
| 10 | 15630 | RING | SPRING RETAINING | 1 |
| 12 | 15651 | SPRING | BARREL | 1 |
| 13 | 15652 | BARREL | | 1 |
| 14 | 15650 | FISTON | | 7 |
| 15 | 15653 | PEARING | THRUST | 1 |
| 16 | 15603 | BEARING | BALL-SHAFT | 1 |
| 17 | 15600 | RING | RETAINING | 1 |
| 18 | 15604 | SEAL | SHAFT-INNER | 1 |
| 19 | 15608 | SEAL | SHAFT-OUTER | 1 |
| 20 | 15633 | HOLDER | SEAL | 1 |
| 21 | 15601 | RING | RETAINING | 1 |
| 22 | 15632 | PLATE | HOUSING INSPECTION | 1 |
| 23 | 15627 | SCREW | | 2 |
| 24 | 15605 | BEARING | NEEDLE | 1 |
| 25 | 15655 | HOUSING | PINION GEAR | 1 |
| 26- 1 | 15636 | DRIVE | MOTOR 11620 | 1 |
| 26- 2 | 31287 | DRIVE | MOTOR 19301 | 1 |
| 26- 3 | 15582 | KEY | WOODRUFF | 1 |
| 27 | 15626 | SCREW | | 4 |
| 28 | 15586 | WASHER | | 4 |
| 29- 1 | | FLANGE | MOTOR 11620 INCL IN REF 25 | |
| 29- 2 | 15634 | FLANGE | MOTOR 19301 | 2 |
| 45 | 15588 | SCREW | | 2 |
| 46 | 15635 | NAMEPLATE | | 1 |
| 47 | 33390 | SEAL | SHAFT | 1 |

WESTERBEKE 40 - LIFEBOAT MISCELLANEOUS



WESTERBEKE 40 - LIFESPHERE MISCELLANEOUS

| REF | PN | NAME | REMARKS | QUAN |
|-------|-------|------------|-----------------------------------|------|
| 1 | 11266 | DIAGRAM | ELECTRICAL SYSTEM - LIFESPHERE | 1 |
| 2 | 11543 | SENDER | WATER TEMPERATURE | 1 |
| 3 | 12060 | BRACKET | ALTERNATOR MOUNTING | 1 |
| 4 | 19270 | ALTERNATOR | 55 AMP - 12 VDC - NEG GND | 1 |
| 5 | 11549 | CABLE | ALTERNATOR TO REGULATOR | 1 |
| 6 | 11267 | BRACKET | REGULATOR MOUNTING | 1 |
| 7 | 33064 | STRAP | ALTERNATOR ADJUSTING | 1 |
| 8 | 11287 | HARNESS | ENGINE | 1 |
| 9 | 11550 | REGULATOR | ALTERNATOR | 1 |
| 10 | 13144 | MOUNT | FRONT RIGHT - 18 CENTERS | 1 |
| 11- 1 | 11822 | CABLE | TACHOMETER 4 FOOT | 1 |
| 11- 2 | 11824 | CABLE | TACHOMETER 6 FOOT | 1 |
| 11- 3 | 11826 | CABLE | TACHOMETER 8 FOOT | 1 |
| 11- 4 | 11828 | CABLE | TACHOMETER 10 FOOT | 1 |
| 12- 1 | 11693 | PANEL | INSTRUMENT | 1 |
| 12- 2 | 12883 | TACHOMETER | REPLACEMENT | 1 |
| 12- 3 | 11970 | AMMETER | REPLACEMENT | 1 |
| 12- 4 | 13868 | GAUGE | REPLACEMENT - OIL PRESSURE | 1 |
| 12- 5 | 13682 | GAUGE | REPLACEMENT - WATER TEMPERATURE | 1 |
| 12- 6 | 11692 | KIT | PANEL LIGHTING | 1 |
| 12- 7 | 11432 | LAMP | | 4 |
| 12- 8 | 11692 | SOCKET | | 4 |
| 13 | 11286 | HARNESS | INSTRUMENT PANEL | 1 |
| 14 | 13243 | REAR RIGHT | - 18 CENTERS | 1 |
| 15 | 12618 | COVER | BENDIX HOLE IN BELL HOUSING | 1 |
| 16 | 11592 | PUMP | SUMP - LUBE OIL | 1 |
| 17 | 16449 | GASKET SET | COMPLETE FOR LIFESPHERE SPEC | 1 |
| 20 | 11542 | SENDER | OIL PRESSURE | 1 |
| 21 | 33348 | SWITCH | OIL PRESSURE | 1 |
| 22 | 13243 | MOUNT | REAR LEFT - 18 CENTERS | 1 |
| 23 | 13145 | MOUNT | FRONT LEFT - 18 CENTERS | 1 |
| 24 | 11658 | PUMP | SEA WATER - BRONZE GEAR | 1 |
| 25 | 11659 | BUSHING | SEA WATER PUMP OUTLET | 1 |
| 26 | 13859 | BELT | WATER PUMP/ALTERNATOR DRIVING | 1 |
| 27 | 11548 | PULLEY | ALTERNATOR | 1 |
| 28 | 11547 | PLATE | ALTERNATOR FAN | 1 |
| 29 | 12009 | HOUSING | THERMOSTAT | 1 |
| 30 | 13240 | BRACKET | MOUNTING - ENGINE DRIVEN HYD PUMP | 1 |
| 31 | 16344 | WASHER | 13240 BRACKET SECURING | 2 |
| 32 | 12421 | NUT | 13240 BRACKET SUPPORTING | 2 |
| 33 | 11201 | PULLEY | DRIVING - ENGINE DRIVEN HYD PUMP | 1 |
| 34 | 11709 | PULLEY | DRIVEN - ENGINE DRIVEN HYD PUMP | 1 |
| 35 | 11361 | BELT | DRIVING - ENGINE DRIVEN HYD PUMP | 1 |

WESTERBEKE 40 - MISCELLANEOUS

| REF | RN | NAME | REMARKS | QUAN |
|-------|-------|------------|--|------|
| 1- 1 | 12718 | KIT A | SPARE PARTS-PROPULSION | 1 |
| 1- 2 | 23886 | KIT A | SPARE PARTS-GENERATOR | 1 |
| 2- 1 | 12719 | KIT B | SPARE PARTS-EXTENDED CRUISING-PROPULSION | 1 |
| 2- 2 | 23887 | KIT B | SPARE PARTS-EXTENDED CRUISING-GENERATOR | 1 |
| 3- 1 | 11762 | GASKET SET | UPPER S/N 107U | 1 |
| 3- 2 | 19934 | GASKET SET | UPPER S/N 108U & ED | 1 |
| 4- 1 | 11763 | GASKET SET | LOWER S/N 107U | 1 |
| 4- 2 | 20719 | GASKET SET | LOWER S/N 108U & ED | 1 |
| 5- 1 | 11892 | GASKET SET | COMPLETE S/N 107U | 1 |
| 5- 2 | 20720 | GASKET SET | COMPLETE S/N 108U & ED | 1 |
| 5- 3 | 16449 | GASKET SET | LIFESPHERE S/N 107U | 1 |
| 6 | 11592 | PUMP | HAND-TO PUMP LUBE OIL FROM SUMP | 1 |
| 7 | 32974 | FILTER | SEDIMENTER-WATER TRAP | 1 |
| 8 | 15010 | STRAINER | SEA WATER | 1 |
| 9 | 13758 | PAINT | RED-AEROSOL SPRAY CAN | 1 |
| 10 | 20654 | SPLITTER | ALTERNATOR OUTPUT | 1 |
| 11 | 30760 | HARNES | 15 FOOT PANEL EXTENSION | 1 |
| 12- 1 | 32009 | SWITCH | GENERATOR SHIP-SHORE 3 WIRE | 1 |
| 12- 2 | 32010 | SWITCH | GENERATOR SHIP-SHORE 2 WIRE | 1 |
| 13 | 11988 | KIT | FUEL HARDWARE | 1 |
| 14 | 20502 | MANUAL | TECHNICAL | 1 |
| 15 | 12169 | LINE | FLEXIBLE EXHAUST-STAINLESS 1.5 X 12 LG | 1 |
| 16- 1 | 33772 | MUFFLER | HYDRO-HUSH B | 1 |
| 16- 2 | 34936 | MUFFLER | HYDRO-HUSH C BOTTOM MOUNT | 1 |
| 16- 3 | 35002 | MUFFLER | HYDRO-HUSH C SIDE MOUNT | 1 |
| 16- 4 | 33340 | CONNECTOR | MUFFLER STRAIGHT | 1 |
| 16- 5 | 33341 | CONNECTOR | MUFFLER 45 DEGREE | 1 |
| 16- 6 | 33342 | CONNECTOR | MUFFLER 90 DEGREE | 1 |
| 16- 7 | 33943 | KIT | COUPLING-HOSE & CLAMPS | 1 |
| 16- 8 | 32550 | MUFFLER | HYDRO-HUSH-FIBERGLASS | 1 |
| 16- 9 | 13174 | MUFFLER | HYDRO-HUSH-STAINLESS | 1 |
| 17 | 33327 | VALVE | ANTI-SIPHON | 1 |

WESTERBEKE 40 - LIFEBOAT MISCELLANEOUS

| REF | PN | NAME | REMARKS | QUAN |
|-------|-------|------------|-------------------------------------|------|
| 1 | 11621 | PUMP | HAND HYDRAULIC | 1 |
| 2 | 13022 | BRACKET | HYDRAULIC HAND PUMP MOUNTING | 1 |
| 3 | 13059 | BRACKET | IDLER PULLEY MOUNTING | 1 |
| 4 | 33064 | STRAP | ADJUSTING | 1 |
| 5 | 11695 | BELT | WATER PUMP DRIVING | 1 |
| 6 | 11694 | PULLEY | IDLER | 1 |
| 7 | 11088 | SCREW | IDLER PULLEY TO BRACKET | 1 |
| 8 | 11658 | PUMP | SEA WATER - BRONZE GEAR | 1 |
| 9 | 11659 | BUSHING | SEA WATER PUMP OUTLET | 1 |
| 10 | 11696 | PUMP | ENGINE DRIVEN HYDRAULIC | 1 |
| 11- 1 | 11263 | STUD | PUMP TO BRACKET | 4 |
| 11- 2 | 31758 | LOCKWASHER | 5/16 | 4 |
| 11- 3 | 31760 | NUT | 5/16NF | 4 |
| 12 | 13075 | BRACKET | ENGINE DRIVEN HYDRAULIC PUMP | 1 |
| 13 | 24735 | SPACER | ADJUSTING STRAP | 1 |
| 14 | 11686 | BELT | ENGINE DRIVEN HYDRAULIC PUMP | 1 |
| 15 | 15587 | NUT | 1/2NF CASTLE | 1 |
| 16 | 11709 | PULLEY | ENGINE DRIVEN HYDRAULIC PUMP | 1 |
| | | NOTE | REF 17-28 ARE FOR KEEL COOLED UNITS | |
| 17 | 22116 | HOSE | OIL-COOLER TO FILTER-SHORT | 1 |
| 18 | 22114 | HOSE | OIL COOLER TO GEAR-SHORT | 1 |
| 19 | 22117 | HOSE | OIL-COOLER TO FILTER-LONG | 1 |
| 20 | 22115 | HOSE | OIL COOLER TO GEAR-LONG | 1 |
| 21 | 11411 | CLAMP | MOUNT COOLER TO BRACKET | 2 |
| 22 | 11017 | BRACKET | OIL COOLER | 1 |
| 23 | 13621 | SPACER | | 2 |
| 24 | 20930 | COOLER | DUAL OIL | 1 |
| 25 | 11504 | TUBING | CONNECT HOSES-INCHES REQUIRED | 5 |
| 26 | 21878 | CLAMP | HOSE 20 | 4 |
| 27 | 12292 | CLAMP | SUPPORT HOSE | 1 |
| 28 | 13671 | HOSE | COOLER TO CONNECTOR | 1 |
| 29- 1 | 12732 | KIT | SPARE PARTS 40LB | 1 |
| 29- 2 | 21630 | KIT | SPARE PARTS 40WC | 1 |

WESTERBEKE 40 - LIFESPHERE MISCELLANEOUS

