

# PARTS LIST

## WESTERBEKE 30

### Marine Diesel Engine

PUBLICATION #13945

EDITION EIGHT

OCTOBER 1980



*WESTERBEKE CORPORATION  
MYLES STANDISH INDUSTRIAL PARK  
150 JOHN HANCOCK ROAD, TAUNTON, MA 02780-7319*

# PARTS LIST

## WESTERBEKE 30

### Marine Diesel Engine

PUBLICATION #13945

EDITION EIGHT

OCTOBER 1980



IMPORTANT

PRODUCT SOFTWARE NOTICE

Product software of all kinds, such as brochures, drawings, technical data, operator's and workshop manuals, parts lists and parts price lists, and other information, instructions and specifications provided from sources other than Westerbeke, is not within Westerbeke's control and, accordingly, is provided to Westerbeke customers only as a courtesy and service. WESTERBEKE CANNOT BE RESPONSIBLE FOR THE CONTENT OF SUCH SOFTWARE, MAKES NO WARRANTIES OR REPRESENTATIONS WITH RESPECT THERETO, INCLUDING THE ACCURACY, TIMELINESS OR COMPLETENESS THEREOF, AND WILL IN NO EVENT BE LIABLE FOR ANY TYPE OF DAMAGES OR INJURY INCURRED IN CONNECTION WITH, OR ARISING OUT OF, THE FURNISHING OR USE OF SUCH SOFTWARE.

For example, components and sub-assemblies incorporated in Westerbeke's products and supplied by others (such as engine blocks, fuel systems and components, transmissions, electrical components, pumps, and other products) are generally supported by their manufacturers with their own software, and Westerbeke must depend on such software for the design of Westerbeke's own

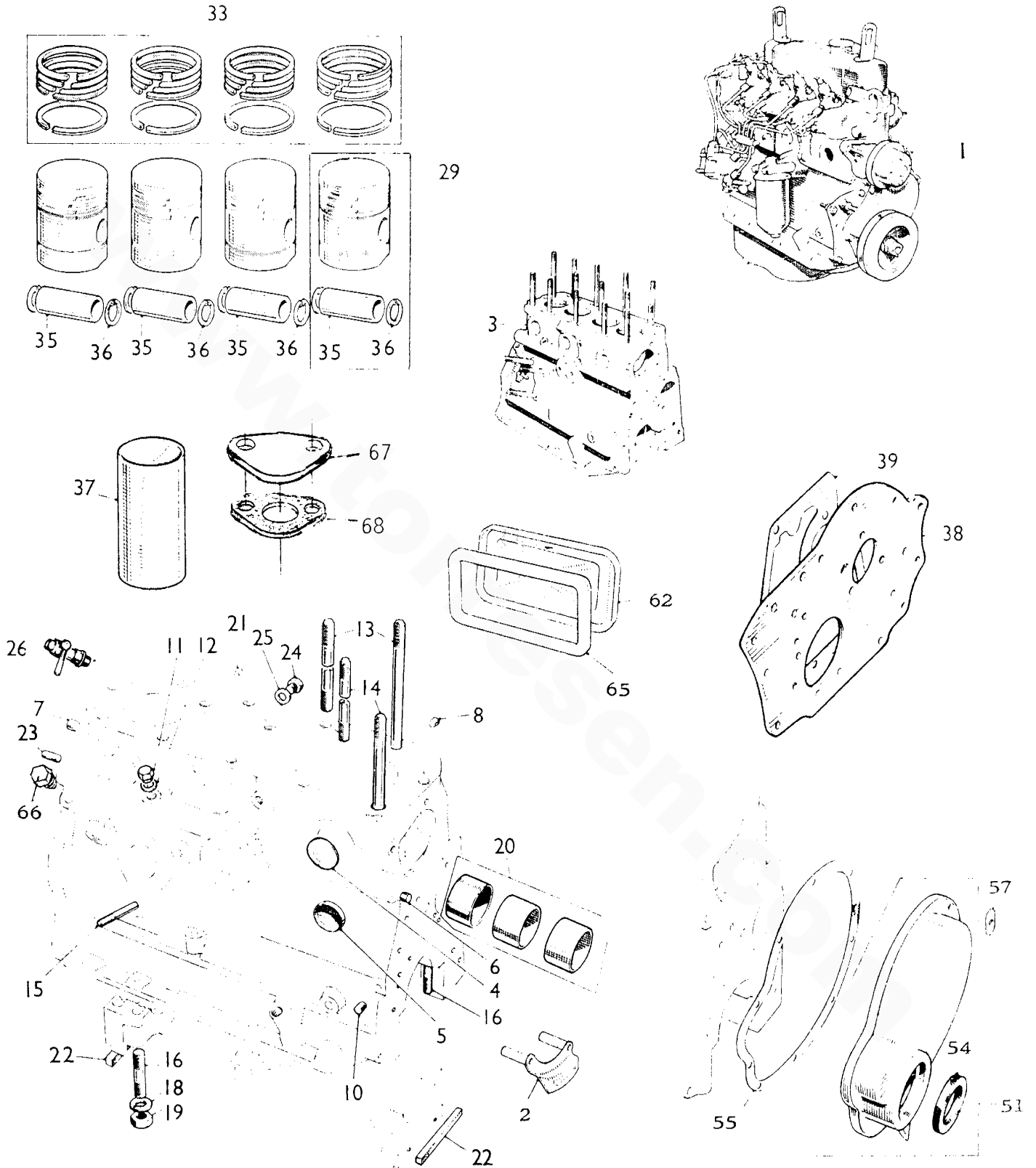
product software. Such software may be outdated and no longer accurate. Routine changes made by Westerbeke's suppliers, of which Westerbeke rarely has notice in advance, are frequently not reflected in the supplier's software until after such changes take place.

Westerbeke customers should also keep in mind the time span between printings of Westerbeke product software, and the unavoidable existence of earlier, non-current Westerbeke software editions in the field. Additionally, most Westerbeke products include customer-requested special features that frequently do not include complete documentation.

In sum, product software provided with Westerbeke products, whether from Westerbeke or other suppliers, must not and cannot be relied upon exclusively as the definitive authority on the respective product. It not only makes good sense, but is imperative that appropriate representatives of Westerbeke or the supplier in question be consulted to determine the accuracy and currency of the product software being consulted by the customer.

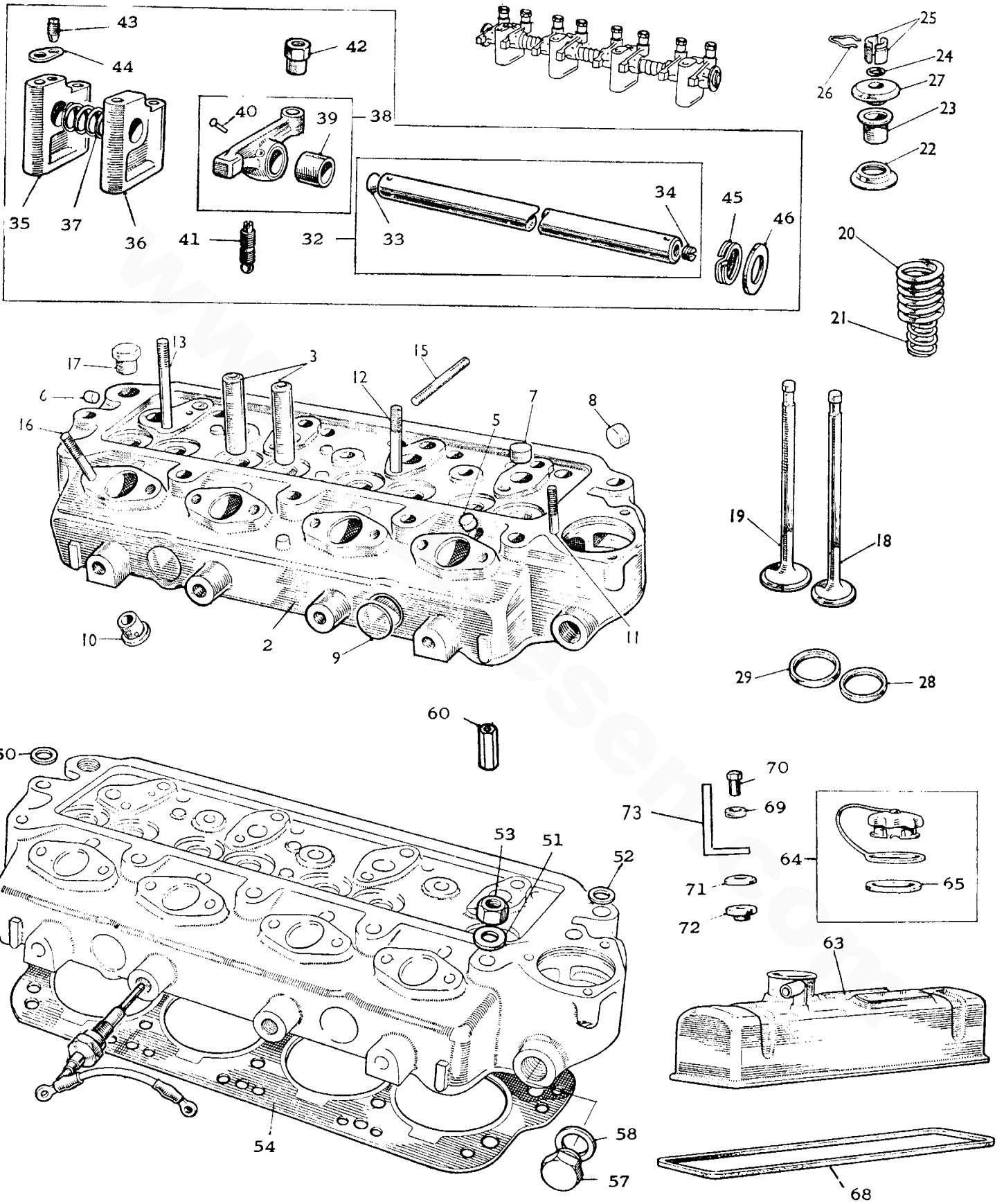
TABLE OF CONTENTS

200	Cylinder Block - Piston
202	Cylinder Head - Rocker Shaft
206	Crankcase - Rod - Camshaft
208	Sump - Lube Oil Pump
210	Crankcase Breather
212	Fuel System
216	Fuel Pressure Switch - Water Separator
218	Cooling - External Heat Exchanger
222	Cooling - External Heat Exchanger - Obsolete
224	Cooling - Internal Heat Exchanger - Obsolete
226	Sea Water Pump
228	Photographs of Engine
228	Mounts
230	Back End - Common
232	Back End - To October 1979
234	Electrical System - Activation by Key switch
236	Electrical System - Activation by Fuel Pressure
240	Electrical System - Activation by Lube Oil Pressure
244	Short Profile Sailing Gear - Model 10
248	Type SA0 Manual Transmission
252	Freewheeling Sailing Gear
256	Hydraulic Transmission Oil Cooler
258	Miscellaneous



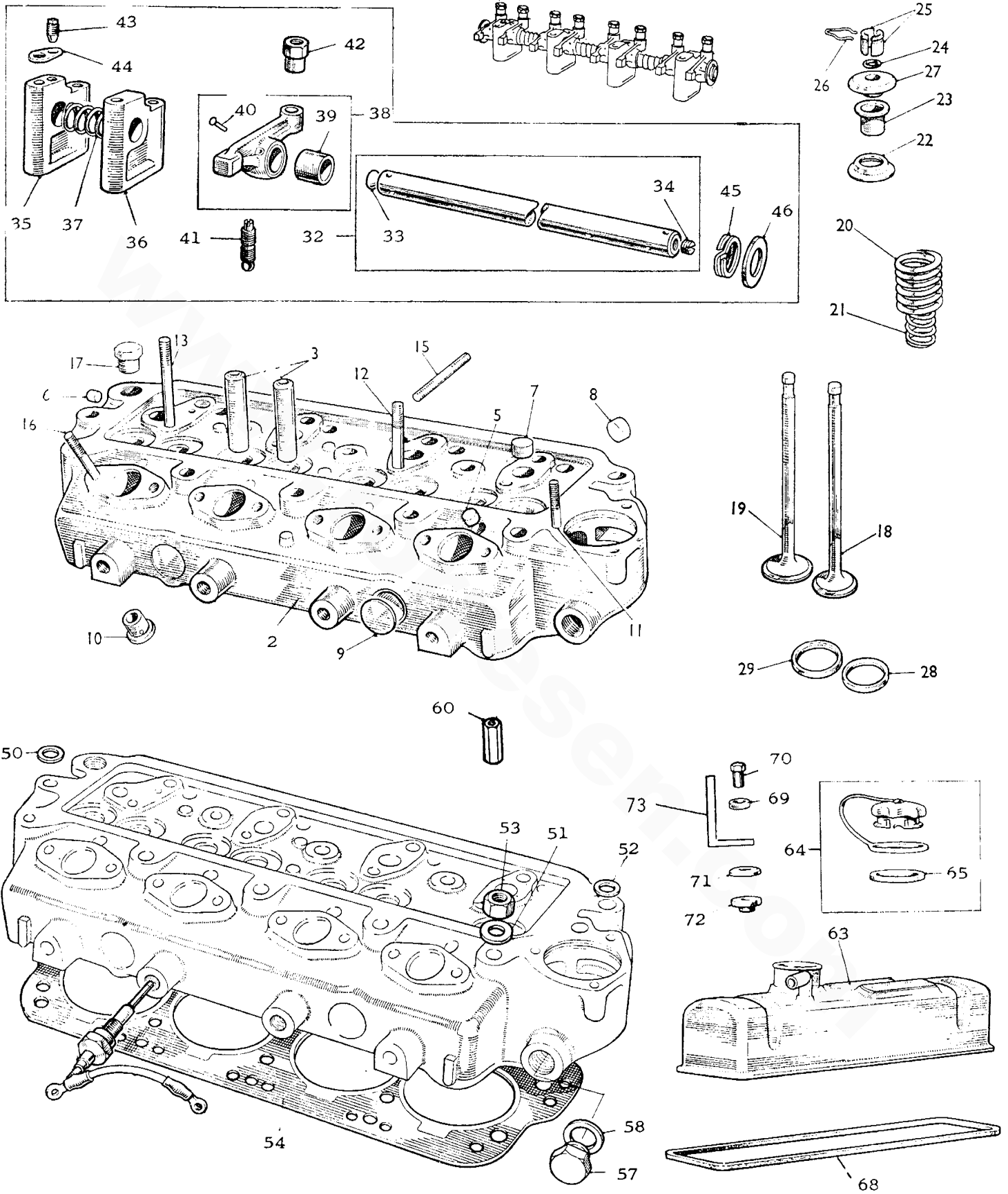
REF	PN	NAME	REMARKS	QUAN
1	11856	ENGINE	COMPLETE	1
2- 1	23628	INDICATOR	TIMING FROM 786A/D101	1
2- 2	14592	INDICATOR	TIMING TO 786A/D101	1
3	14470	BLOCK	ASSEMBLY	1
5	14553	PLUG		4
6	14593	PLUG	CRANKCASE OIL GALLERY	3
7	14595	PLUG	OIL GALLERY-TAPERED	2
8	14561	PLUG	OIL RELIEF VALVE VENT HOLE	2
10	14433	PLUG	CHAIN RENSIONER OIL FEED	1
11	14649	PLUG		1
12	14453	WASHER		1
13	14488	STUD	LONG	4
14	14482	STUD	SHORT	10
15- 1	14639	STUD	BOTTOM	1
15- 2	14640	STUD	TOP	2
16	14560	STUD	MAIN BEARING CAP	6
18	14453	WASHER		6
19	14454	NUT		6
20	14606	LINER	CAMSHAFT BEARING	1
21	14579	PLUG	OIL JET HOLE	2
22- 1	17961	GASKET	MAIN BEARING END CAP 3/16X1/4X4-5/16	2
22- 2	13544	GASKET	MAIN BEARING END CAP 5/16X1/4X4-5/16	2
23	14437	DOWEL	BLOCK TO BACKPLATE	2
24	14649	PLUG	LOWER OIL GALLERY	1
25	14453	WASHER		1
26	14152	PETCOCK	BLOCK WATER DRAIN	1
29- 1	14627	PISTON	ASSEMBLY-STD	4
29- 2	14629	PISTON	ASSEMBLY-020	AR
33- 1	14632	RING SET	STD	4
33- 2	14634	RING SET	020	AR
35	14602	PIN	PISTON	4
36	14461	CLIP	PISTON PIN RETAINING	8
37	14535	LINER	CYLINDER	4
38	14486	PLATE	MOUNT TIMING COVER	1
39	14570	GASKET	TIMING PLATE TO BLOCK	1
51	14611	COVER	TIMING	1
54	14643	SEAL	TIMING COVER	1
55	11851	GASKET	TIMING COVER	1
57	14652	TABWASHER		1
62	13526	COVER	CYLINDER SIDE-FRONT	1
63	14562	GASKET		1
66	19369	PLUG		1
67	22123	PLATE	TACH DRIVE BLANKING	1
68	14667	GASKET		1

WESPEROLKE 90 CYLINDER HEAD - ROCKER SHAFT

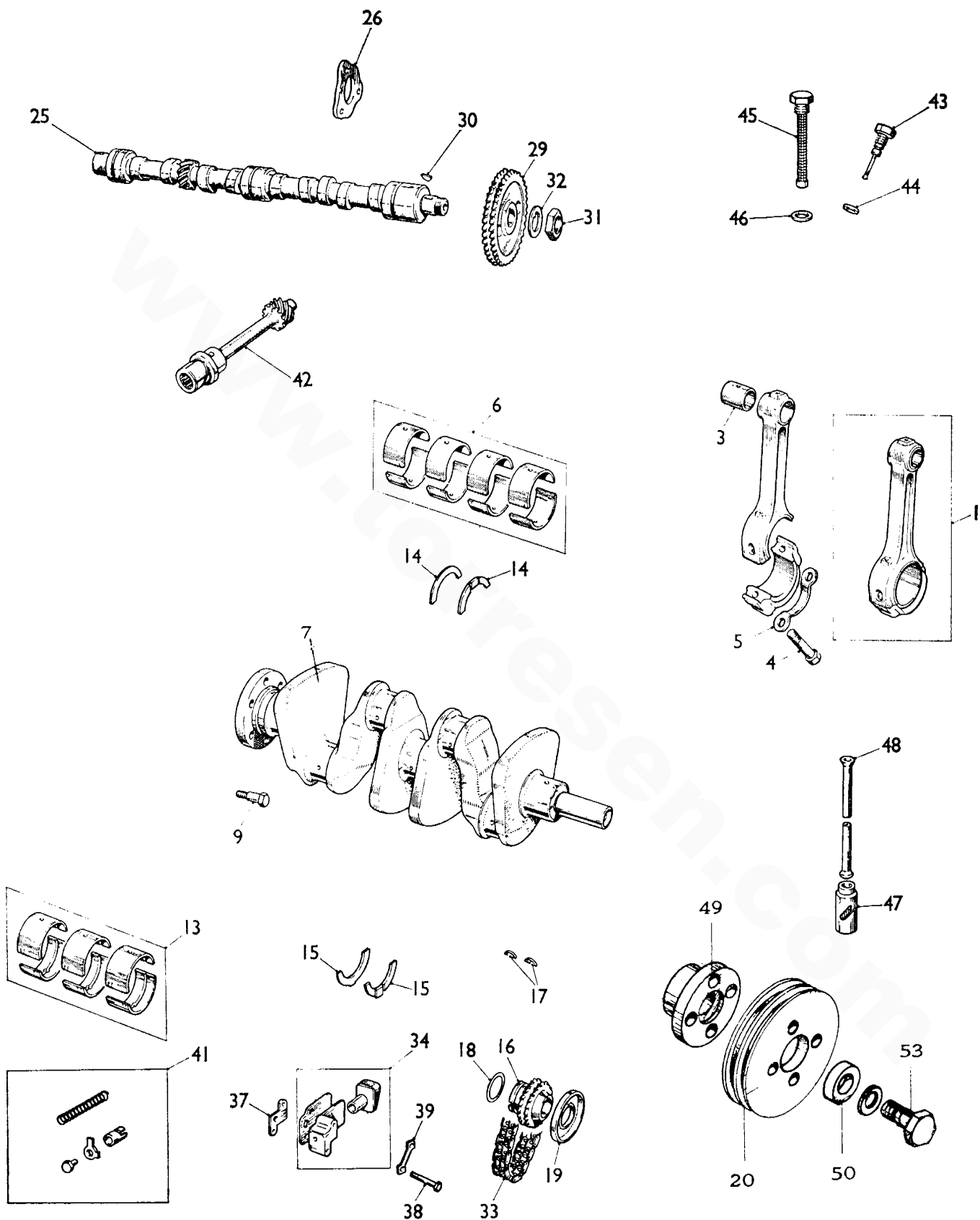


REF	PN	NAME	REMARKS	QUAN
2- 1	14485	HEAD	ASSY INCL GUIDES TO 786A/D443	1
2- 2	17852	HEAD	ASSY INCL GUIDES FROM 786A/D444	1
3	14447	GUIDE	VALVE	8
5	14595	PLUG	BRASS	5
6	14552	PLUG	BRASS	1
7	14597	PLUG	BRASS-CORE	1
8	14500	PLUG	BRASS-CORE	7
9	14553	PLUG		7
10	14480	INSERT	COMBUSTION CHAMBER	4
11	14538	STUD	THERMOSTAT HOUSING	3
12	14556	STUD	ROCKER BRACKET-SHORT	2
13	14559	STUD	ROCKER BRACKET-LONG	2
15- 1	23217	STUD	MANIFOLD-15784	4
15- 2	12494	STUD	MANIFOLD-15784 REMOVABLE END PLATES	4
15- 3	11819	STUD	MANIFOLD-15050	4
16	14607	STUD	INJECTOR	8
17	14578	PLUG		1
18- 1	14457	VALVE	INTAKE-TO 786A/D100-NLA	4
18- 2	17631	VALVE	INTAKE-FROM 786A/D101 & REPLACEMENT	4
19- 1	14458	VALVE	EXHAUST-TO 786A/D100-NLA	4
19- 2	17626	VALVE	EXHAUST-FROM 786A/D101 & REPLACEMENT	4
20	14460	SPRING	VALVE-OUTER	8
21	14459	SPRING	VALVE-INNER	8
22	14577	CUP	VALVE SPRING POTTOM	8
23	14576	SEAL	14457 & 14458 VALVES ONLY	8
24	17728	O-RING	17626 & 17631 VALVES ONLY	8
25- 1	14546	COTTER	14457 & 14458 VALVES ONLY	8
25- 2	20716	COTTER	17626 & 17631 VALVES ONLY	8
26	14514	CLIP		8
27- 1	14575	CUP	TOP-14457 & 14458 VALVES ONLY	8
27- 2	20251	CUP	TOP-17631 & 17626 VALVES ONLY	8
28	14536	SEAT	INTAKE VALVE-NLA	
29	14537	SEAT	EXHAUST VALVE-NLA	
32	14438	SHAFT	ROCKER	1
33	14555	PLUG		1
34	14646	SCREW		1
35	14547	BRACKET	TAPPED	1
36	14456	BRACKET	NOT TAPPED	3
37	14551	SPRING	ROCKER SPACING	3
38	14603	ROCKER	ASSEMBLY	8
39	14612	BUSHING	ROCKER	8
40	14625	RIVET	ROCKER	8
41	14452	SCREW	TAPPET ADJUSTING	8
42	14476	NUT	LOCKING	8
43	14481	SCREW		1
44	14483	TABWASHER		1
45	14605	WASHER	DOUBLE COIL SPRING	2
46	14656	WASHER		2





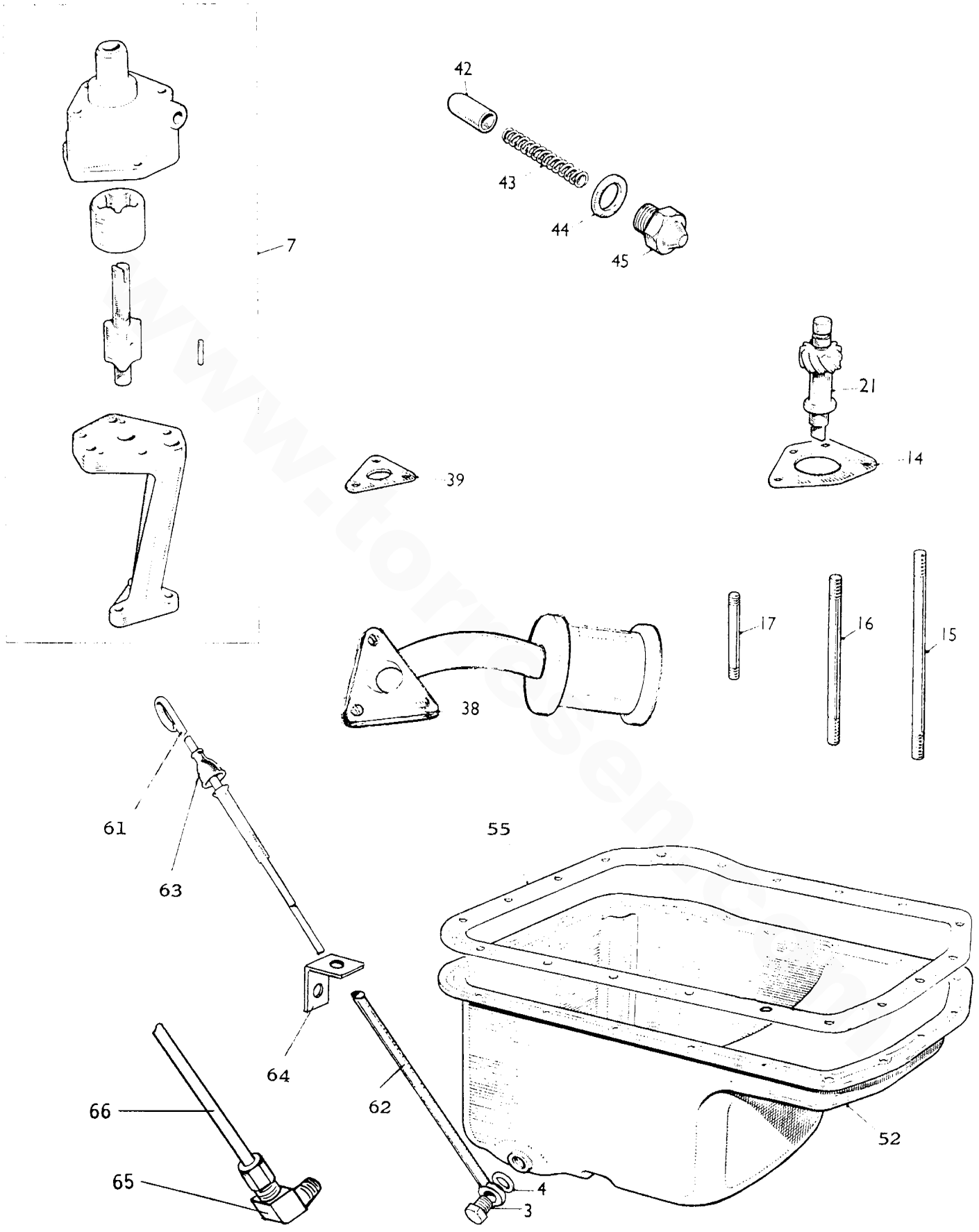
REF	PN	NAME	REMARKS	QUAN
51	14657	WASHER	FLAT-CYLINDER HEAD STUD	AR
53	14445	NUT	CYLINDER HEAD STUD	12
54- 1	14601	GASKET	HEAD-TO 786A/D443 ONLY	1
54- 2	17892	GASKET	HEAD-USABLE ON ALL ENGINES	1
57- 1	13716	PLUG	3/8NPT-17852 HEAD	1
57- 2	14455	PLUG	14485 HEAD	1
58	14642	WASHER	PLUG 14455	1
60	14511	PILLAR		2
63- 1	14479	COVER	ROCKER	1
63- 2	12307	COVER	ROCKER-WITH ELBOW FOR OLD STYLE BREATHER	1
64	17935	CAP	OIL FILL ASSEMBLY	1
68	14436	GASKET	ROCKER COVER	1
69	13356	WASHER	SPACER	2
70	14807	NUT	CAP	2
71	14809	WASHER	CUP-ROCKER COVER	2
72	14808	GROMMET		2
73	15299	EYE	LIFTING	2



DRAWING NO. 13910

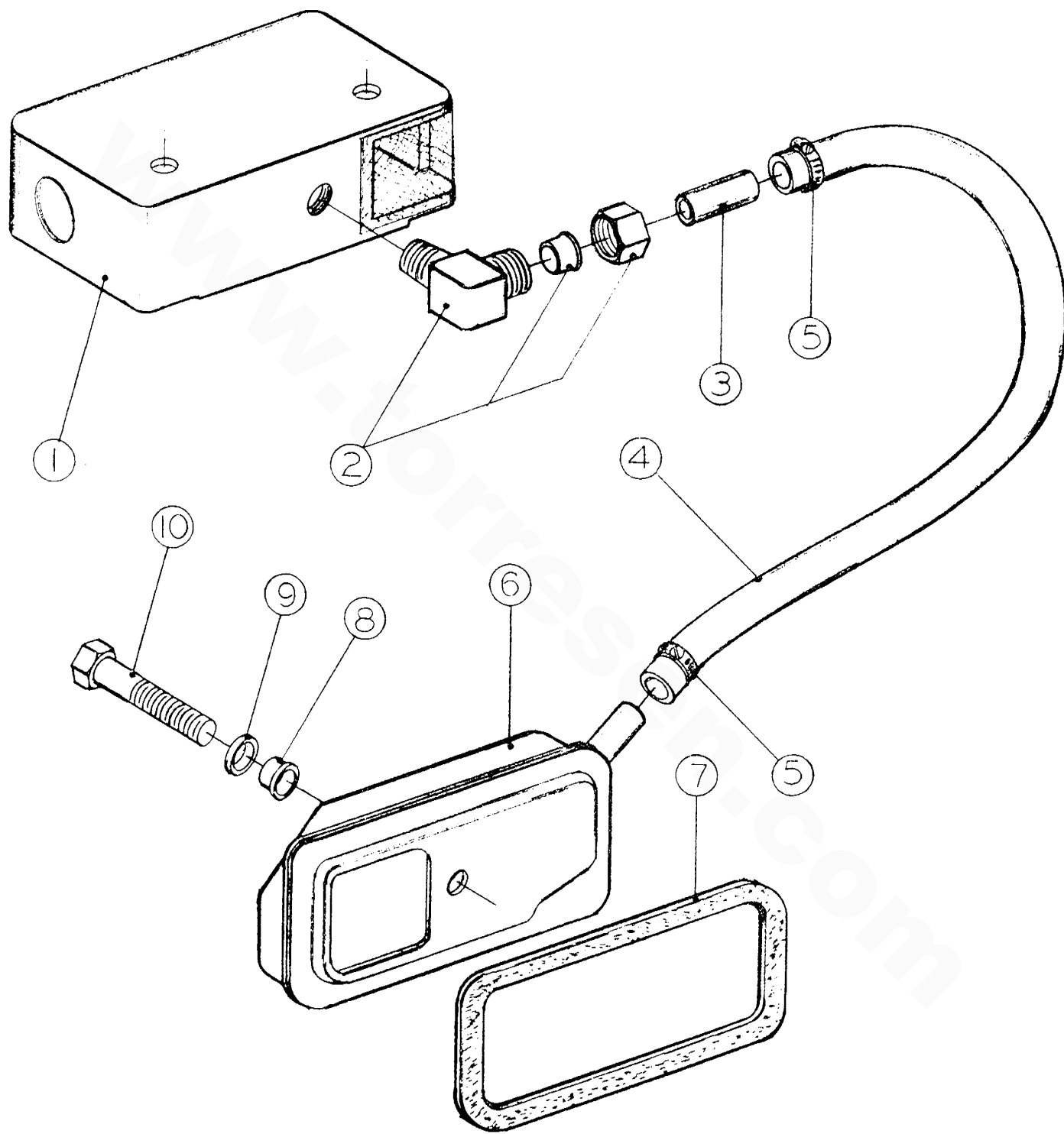
REF	PN	NAME	REMARKS	QUAN
1- 1	14504	ROD	CONNECTING ASSEMBLY-#1 & 3 CYLINDERS	2
1- 2	14503	ROD	CONNECTING ASSEMBLY- #2 & 4 CYLINDERS	2
3	14448	RUSHING	CONNECTING ROD	4
4	14582	BOLT	CONNECTING ROD	8
5	14505	TABWASHER	CONNECTING ROD	4
6- 1	14614	BEARING	SET-ROD-STD	1
6- 2	14615	BEARING	SET-ROD-010 UNDERSIZE	1
6- 3	21908	BEARING	SET-ROD-020 UNDERSIZE	1
7	14502	CRANKSHAFT		1
9	14499	BOLT	CRANKSHAFT TO FLYWHEEL	6
13- 1	14621	BEARING	SET-MAIN-STD	1
13- 2	14622	BEARING	SET-MAIN-010 UNDERSIZE	1
13- 3	21909	BEARING	SET-MAIN-020 UNDERSIZE	1
14- 1	14617	WASHER	THRUST-UPPER-STD	2
14- 2	14618	WASHER	THRUST-UPPER-003 OVERSIZE	AR
15- 1	14619	WASHER	THRUST-LOWER-STD	2
15- 2	14620	WASHER	THRUST-LOWER-003 OVERSIZE	AR
16	14475	GEAR	CRANKSHAFT	1
17	14446	KEY		2
18	14654	WASHER	CRANKSHAFT GEAR PACKING	AR
19	14598	SLINGER	CRANKSHAFT	1
20- 1	13949	PULLEY	ATTACHES DIRECTLY TO CRANKSHAFT	1
20- 2	13847	PULLEY	USED WITH 11327 HUB-ORLOLETE	1
25- 1	14468	CAMSHAFT	PLAIN REAR END	1
25- 2	14665	CAMSHAFT	THREADED REAR END FOR TACH DRIVE GEAR	1
26	14589	PLATE	CAMSHAFT LOCATING	1
29	14449	GEAR	CAMSHAFT	1
30	14531	KEY	CAMSHAFT	1
31	14540	NUT	CAMSHAFT	1
32	14544	WASHER	CAMSHAFT	1
33	14542	CHAIN	TIMING	1
34	14655	TENSIONER	ASSEMBLY-CHAIN	1
37	14536	GASKET	TENSIONER	1
39	14507	TABWASHER	TENSIONER	1
41	14509	KIT	CHAIN TENSIONER REPAIR	1
42	14491	SHAFT	INJECTION PUMP DRIVING	1
43	14467	LUBRICATOR	PUMP DRIVING GEARS	1
44	14533	WASHER	FILTER	1
45	14468	FILTER	PUMP DRIVING GEAR LUBRICATOR	1
46	14453	WASHER	FILTER	1
47	14471	TAPPET		8
48	14489	PUSHROD		8
49	11327	HUB	PULLEY MOUNTING-ORSOLETE	1
50	11857	SLEEVE	OBSOLETE	1
53- 1	11818	BOLT	OBSOLETE	1
53- 2	14613	BOLT	CRANKSHAFT PULLEY	1

PESTERBEKE 90 SUMP LUBE OIL PUMP



REF	PN	NAME	REMARKS	QUAN
3	11999	BOLT	REPLACED BY 13418 ELBOW	1
4	11998	WASHER	REPLACED BY 13418 ELBOW	1
7	14474	PUMP	LUBE OIL	1
14	14508	GASKET	LUBE OIL PUMP	1
15	14557	STUD	OIL PUMP TO CRANKCASE-LONG	1
16	14558	STUD	OIL PUMP TO CRANKCASE-MEDIUM	2
17	14487	STUD	OIL PUMP TO CRANKCASE-SHORT	3
21	14484	SHAFT	OIL PUMP DRIVING	1
38	13726	STRAINER	OIL PICKUP	1
39	14526	GASKET	STRAINER TO OIL PUMP	1
42	14551	VALVE	OIL RELIEF	1
43	14549	SPRING	OIL RELIEF VALVE	1
44	14528	WASHER	CUP-COPPER-OIL RELIEF VALVE	1
45	14608	NUT	CAP-OIL RELIEF VALVE	1
52	11886	SUMP	LUBE OIL	1
55	11862	GASKET	SUMP	1
61	16425	DIPSTICK	USE WITH 12274 TUBE ONLY	1
62	12271	TUBE	REPLACED BY 13418 ELBOW & 12274 TUBE	1
63	11555	SEAL	DIPSTICK	1
64	11980	BRACKET	DIPSTICK SUPPORT	1
65	13418	ELBOW	SUMP TO DIPSTICK TUBE	1
66	12274	TUBE	DIPSTICK-USED WITH 13418 ELBOW	1

WESTERBEKE 30 - CRANKCASE BREATHER

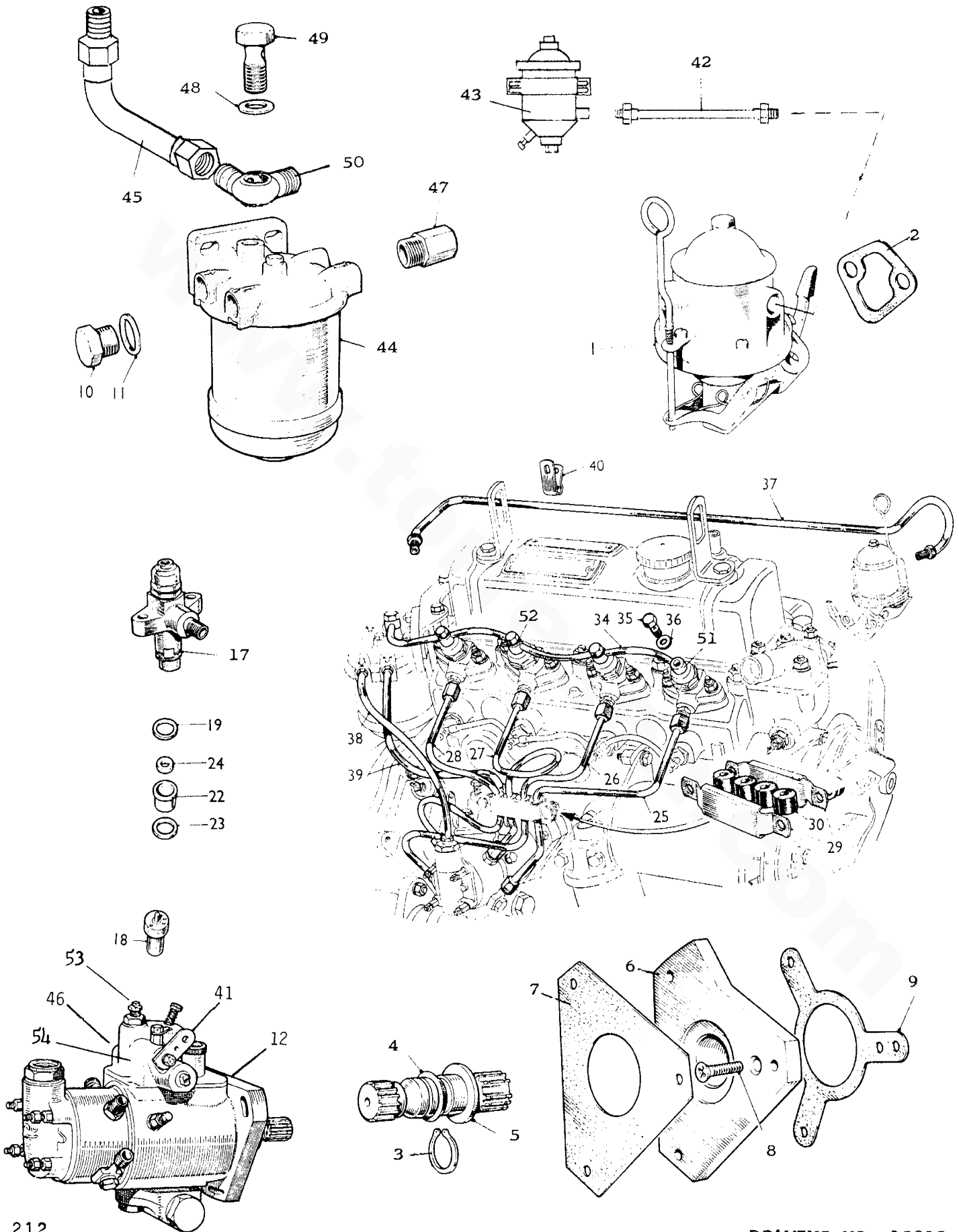


REF	PN	NAME	REMARKS	QUAN
1	21536	SILENCER	AIR INTAKE	1
2	13335	ELBOW		1
3	16353	TUBING		AR
4	11775	HOSE	1/2 ID	16
5	17296	CLAMP	HOSE	2
6	23362	BREATHER		1
7	23189	GASKET		1
8	14563	BUSHING	RUBBER	1
9	14564	WASHER	CAP	1
10		CAPSCREW	5/16 UNF X 2-1/4 LG	1

www.torresen.com

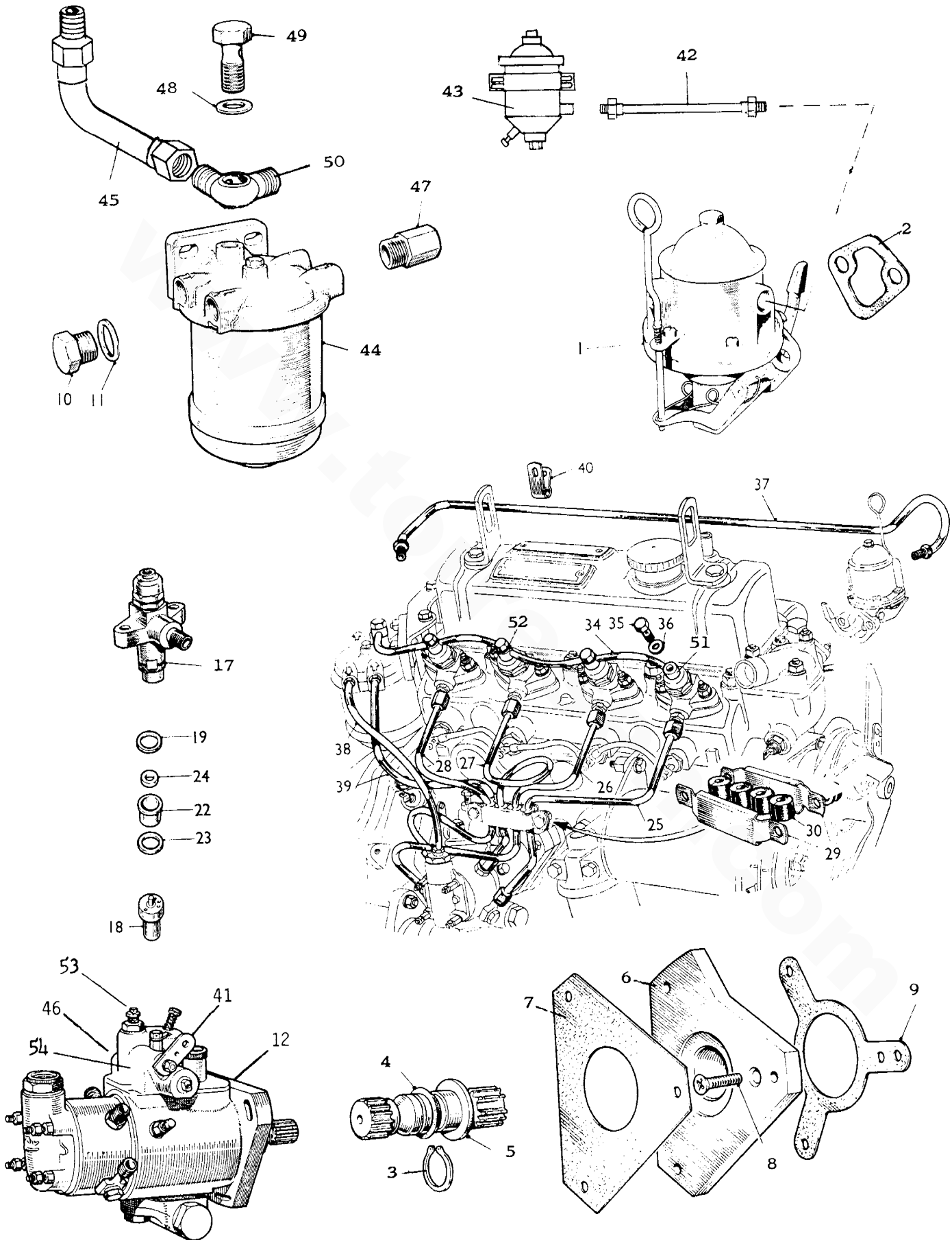


WESTERBEKE 30 FUEL SYSTEM



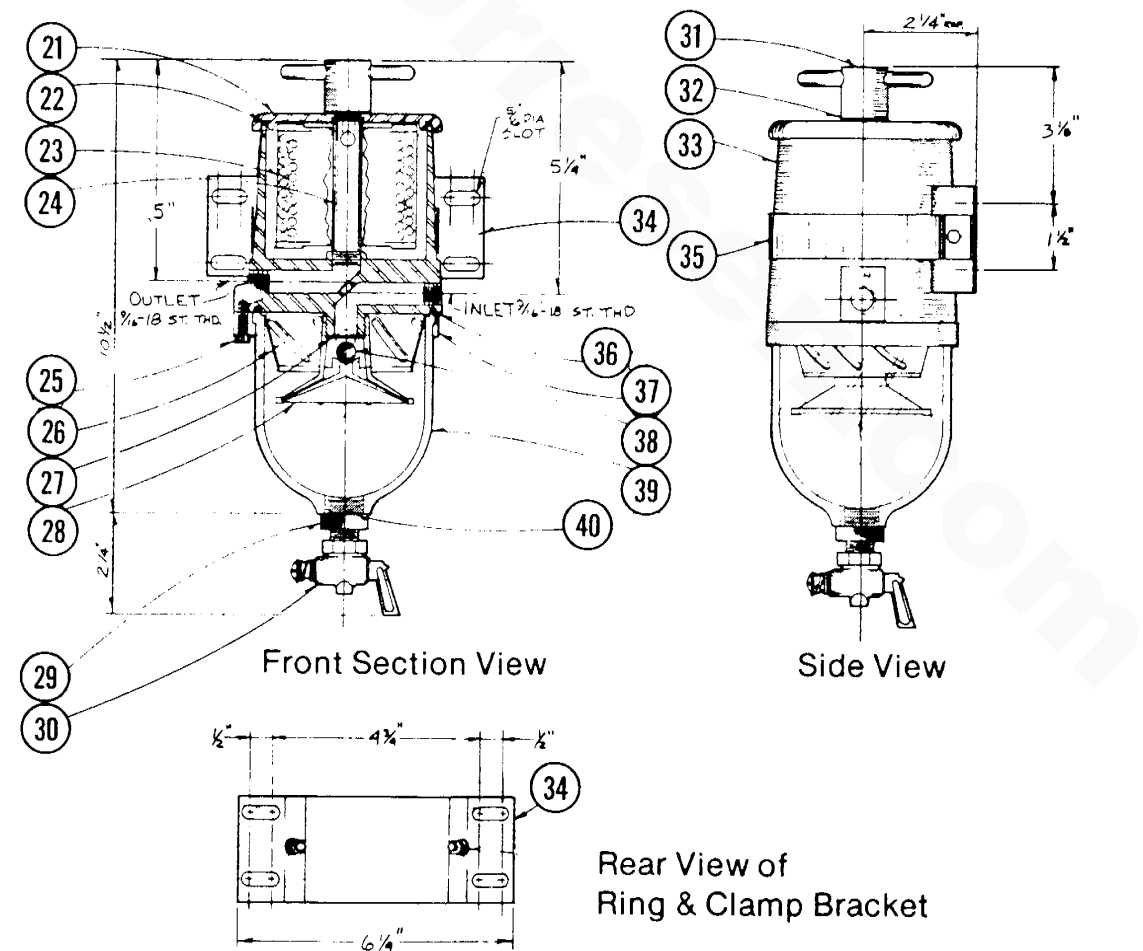
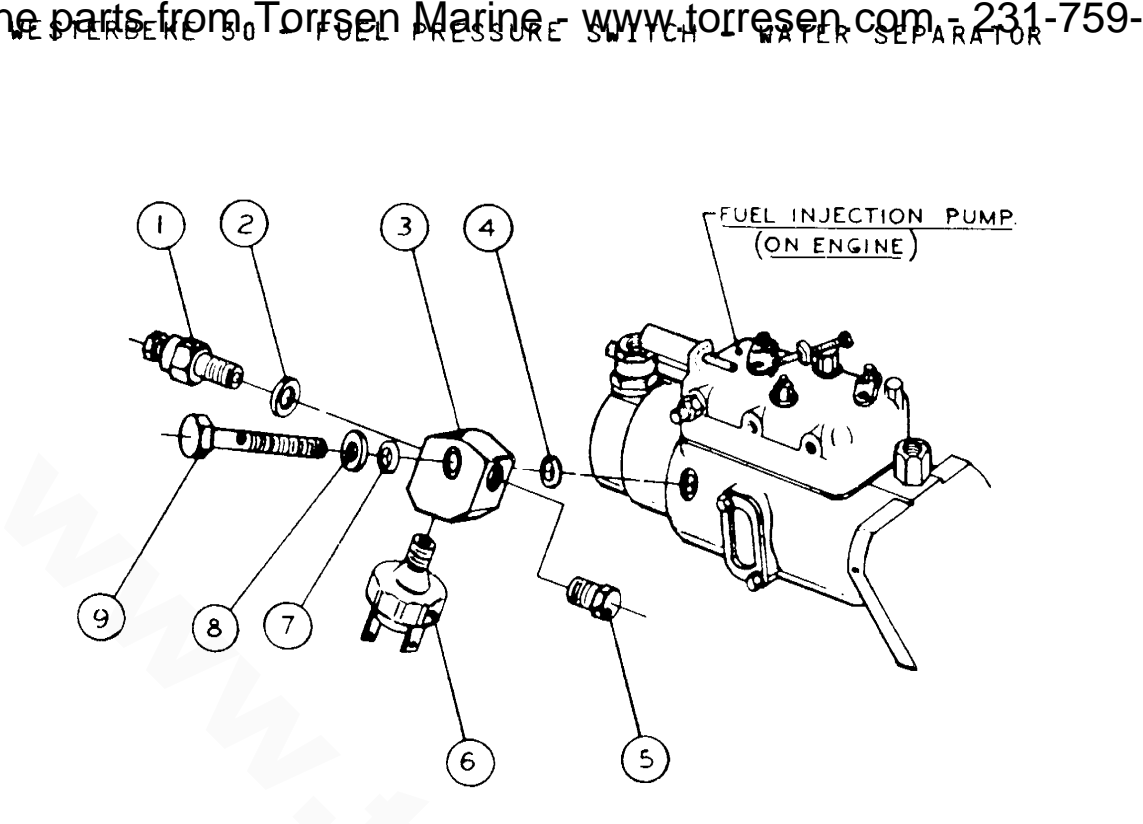
REF	PN	NAME	REMARKS	QUAN
1- 1	14566	PUMP	FUEL LIFT	1
1- 2	14560	KIT	LIFT PUMP REPAIR-MINOR	1
1- 3	14661	KIT	LIFT PUMP REPAIR-MAJOR	1
1- 4	14478	STUD	LIFT PUMP MOUNTING	2
2	14572	GASKET	LIFT PUMP	1
3	14545	CLIP		1
4	14545	SEAL		1
5	14656	SHAFT		1
6	14465	PLATE	INJECTION PUMP MOUNTING	1
7	12400	GASKET	PUMP TO PLATE	1
8	14530	SCREW		3
9	14569	GASKET	PLATE TO BLOCK	1
10	14664	PLUG	FUEL FILTER	1
11	14453	WASHER	FUEL FILTER PLUG	1
12	14565	PUMP	INJECTION-FUEL	1
13	17270	BRACKET	THROTTLE CABLE CONTROL	1
14	13325	CLAMP	THROTTLE CABLE	1
15	13870	SHIM	THROTTLE CABLE	1
16	13871	CLAMP	FUEL SHUT-OFF CABLE	1
17	14580	INJECTOR	FUEL-ASSEMBLY	4
18	14548	NOZZLE	INJECTOR	4
19	14490	WASHER	INJECTOR TO SHIELD-THICK	4
22	14462	SHIELD	HEAT	4
23	14463	WASHER	SHIELD TO HEAD-THIN	4
24	14464	WASHER	INJECTOR SEALING-STEEL	4
25	14585	LINE	INJECTOR 1	1
26	14590	LINE	INJECTOR 2	1
27	14591	LINE	INJECTOR 3	1
28	14586	LINE	INJECTOR 4	1
29	14492	CLAMP	INJECTOR LINE SUPPORT	2
30	14493	BUSHING	INJECTOR LINE	4
34- 1	14641	LINE	RETURN-NYLON	1
34- 2	23844	LINE	RETURN-METAL INCLUDING BANJOS	1
35	11935	BOLT	BANJO	4
36	11943	WASHER	BANJO	8
37	14610	LINE	LIFT PUMP TO FILTER	1
38	17960	TUBING	FILTER TO INJECTION PUMP	AR
39	17960	TUBING	INJECTION PUMP TO FILTER	AR
40	14512	CLIP		1
41	15226	LEVER	FUEL SHUT-OFF	1
42	20938	HOSE	FUEL INLET	1
43	11598	FILTER	PRIMARY FUEL-SEDIMENTER	1
44- 1	14777	FILTER	ENGINE FUEL	1
44- 2	14776	ELEMENT	ENGINE FUEL FILTER	1
44- 3	14583	BRACKET	ENGINE FUEL FILTER	1
45	20950	HOSE	FUEL RETURN	1
46	20631	LEVER	THROTTLE TO ACCEPT CABLE	1
47	14662	VALVE	CHECK	1
48	11944	WASHER	BANJO	2
49	14663	BOLT	BANJO	1

WESTERBEKE 30 FUEL SYSTEM

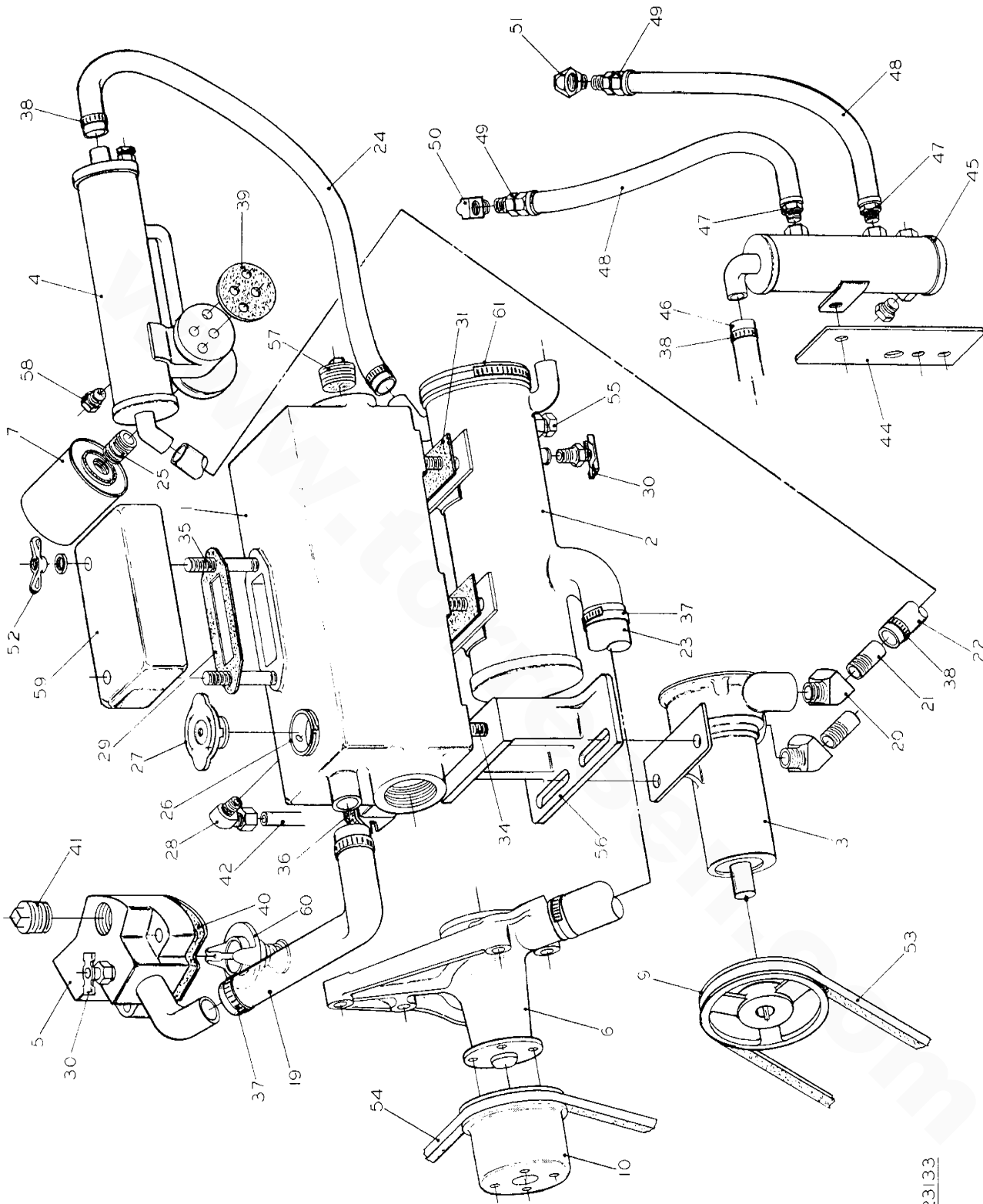


REF	PN	NAME	REMARKS	QUAN
50	11936	BANJO		1
51	11938	BANJO	INJECTOR-SINGLE	1
52	11937	BANJO	INJECTOR-DOUBLE	3
53	19282	SCREW	IDLE SCREW ASSEMBLY	1
54	19264	HOUSING	IDLE SCREW ASSEMBLY	1
55	13346	CONNECTOR		1

www.torrsen.com



REF	PN	NAME	REMARKS	QUAN
1	19264	SCREW	ASSEMBLY-BLEED	1
2	19261	WASHER	COPPER	1
3	19155	ADAPTER		1
4	19321	O-RING		1
5	11615	PLUG		1
6	11393	SWITCH	FUEL PRESSURE	1
7	19320	O-RING		1
8	19440	WASHER		1
9	19157	SCREW		1
10	24214	KIT	FUEL PRESSURE SWITCH-REF 1-9	1
20	22266	SEPARATOR	COMPLETE	1
21	22800	LID		1
22	22275	GASKET	LID	1
23	22258	ELEMENT		1
24	22801	TUBE	RETURN	1
25		SCREWS	10-32	4
26	22502	BAFFLE	CONICAL	1
27	22803	GASKET	CHECK BALL	1
28	22804	CENTRIFUGE		1
29	22622	PLUG	DRAIN BOWL	1
30		PETCOCK	1/4	1
31	22805	HANDLE		1
32	22273	GASKET	NYLON	1
33	22806	HOUSING		1
34	22807	BRACKET	MOUNTING	1
35	22808	CLAMP		1
36	22276	GASKET	BOWL O-RING	1
37	22809	RING	BOWL	1
38	22810	BALL	CHECK	1
39- 1	22277	BOWL		1
39- 2	22269	BOWL	WITH ALARM PROBES	1
40	22274	WASHER	BOWL DRAIN	1
41	22272	SENSOR	KIT FOR ALARM	1

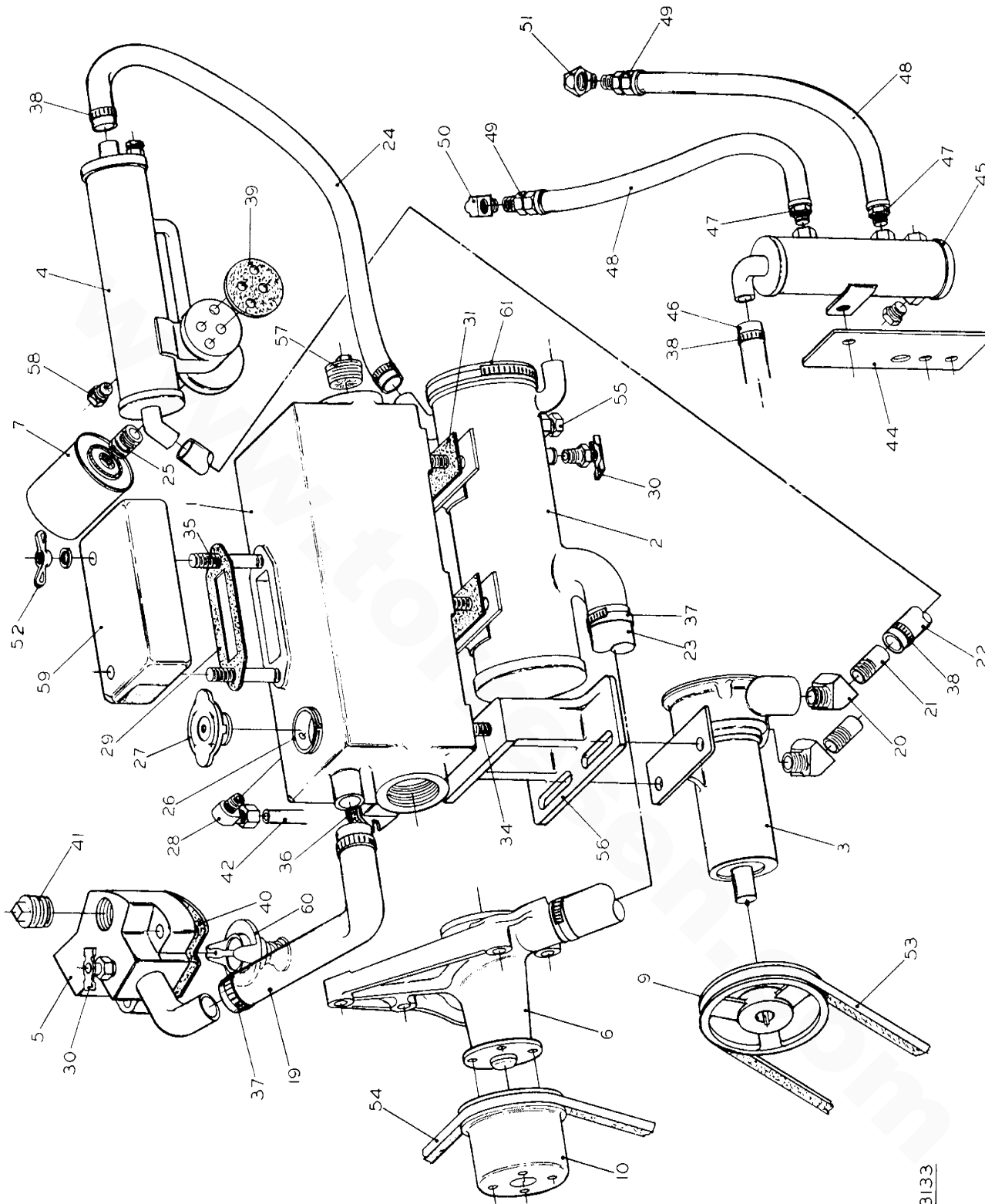


DRWG # 23133  
8-26-77

WESTERBEKE 33 - COOLING-EXTERNAL PLAT EXCHANGER

REF	PN	NAME	REMARKS	QUAN
1	15794	MANIFOLD		1
2	15799	EXCHANGER	HEAT	1
3- 1	11830	PUMP	SEA WATER-5/8SHAFT-CAST BRACKET	1
3- 2	24102	PUMP	SEA WATER-1/2SHAFT-SHEET METAL BRACKET	1
4	11199	COOLER	OIL	1
5	15760	HOUSING	THERMOSTAT	1
6	17909	PUMP	FRESH WATER-FROM 786A/D101	1
7	16655	ELEMENT	LUPE OIL FILTER	1
9- 1	11371	PULLEY	SEA WATER PUMP 11830	1
9- 2	24102	PULLEY	SEA WATER PUMP 24102	1
10	17862	PULLEY	FRESH WATER PUMP	1
19	21498	HOSE	THERMOSTAT HOUSING TO MANIFOLD	1
20- 1	11830	ELBOW	45 DEGREE-PUMP 11830	2
20- 2	11659	BUSHING	PUMP 24102	2
20- 3	13338	ELBOW	90 DEGREE-PUMP 24102	1
21	13519	NIPPLE	HOSE	3
22	21516	HOSE	INCHES REQUIRED	35
23	13671	HOSE	FRESH WATER PUMP TO EXCHANGER	1
24	11517	HOSE	INCHES REQUIRED	20
25	13610	NIPPLE	OIL FILTER	1
26	11751	NECK	FILLER	1
27	11499	CAP	PRESSURE	1
28	13329	ELBOW	WATER OVERFLOW	1
29	13650	GASKET	AIR SILENCER TO MANIFOLD	1
30	11471	PETCOCK		2
31	13663	GASKET	MANIFOLD TO EXCHANGER	2
34	11928	STUD		6
35	11927	STUD	AIR SILENCER	2
36	11859	GASKET	MANIFOLD TO HEAD	1
37	21878	CLAMP	HOSE-STAINLESS	4
38	11341	CLAMP	HOSE-STAINLESS	AR
39	14567	GASKET	OIL COOLER TO BLOCK	1
40	14551	GASKET	THERMOSTAT HOUSING	1
41	11752	PLUG		2
42	11510	TUBING	WATER OVERFLOW-INCHES REQUIRED	10
44	13427	BRACKET	MOUNT OIL COOLER FOR HYDRAULIC TRANSMISS	1
45	11518	COOLER	TRANSMISSION OIL	1
46	11517	HOSE	TRANSMISSION OIL COOLER-INCHES REQD	8
47	11777	ADAPTER	NO SWIVEL	2
48	11775	HOSE	INCHES REQUIRED	33
49	11776	ADAPTER	WITH SWIVEL	2
50	13330	ELBOW		1
51	13331	ELBOW		1
52	16035	WINGNUT		2
53- 1	15768	BELT	DRIVE SEA WATER PUMP-CAST BRACKET	1
53- 2	16446	BELT	DRIVE SEA WATER PUMP-SHEET BRACKET	1
54	15147	BELT	DRIVE FRESH WATER PUMP & ALTERNATOR	1
55	11855	ZINC		1
55- 1	12919	BRACKET	SEA WATER PUMP MOUNT-CAST	1
56- 2	24743	BRACKET	SEA WATER PUMP MOUNT-SHEET METAL	1

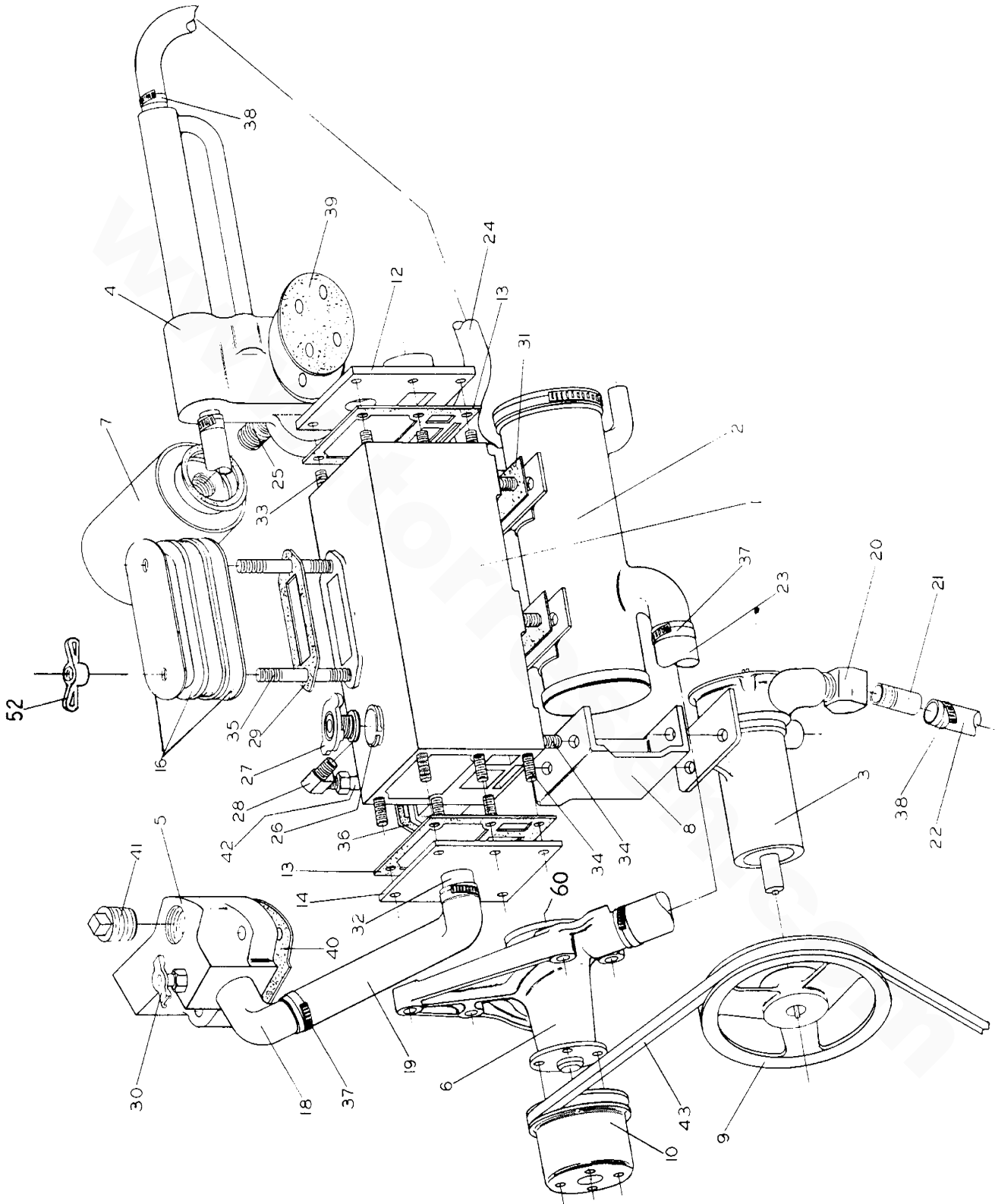




DRWG # 23133  
8-26-77

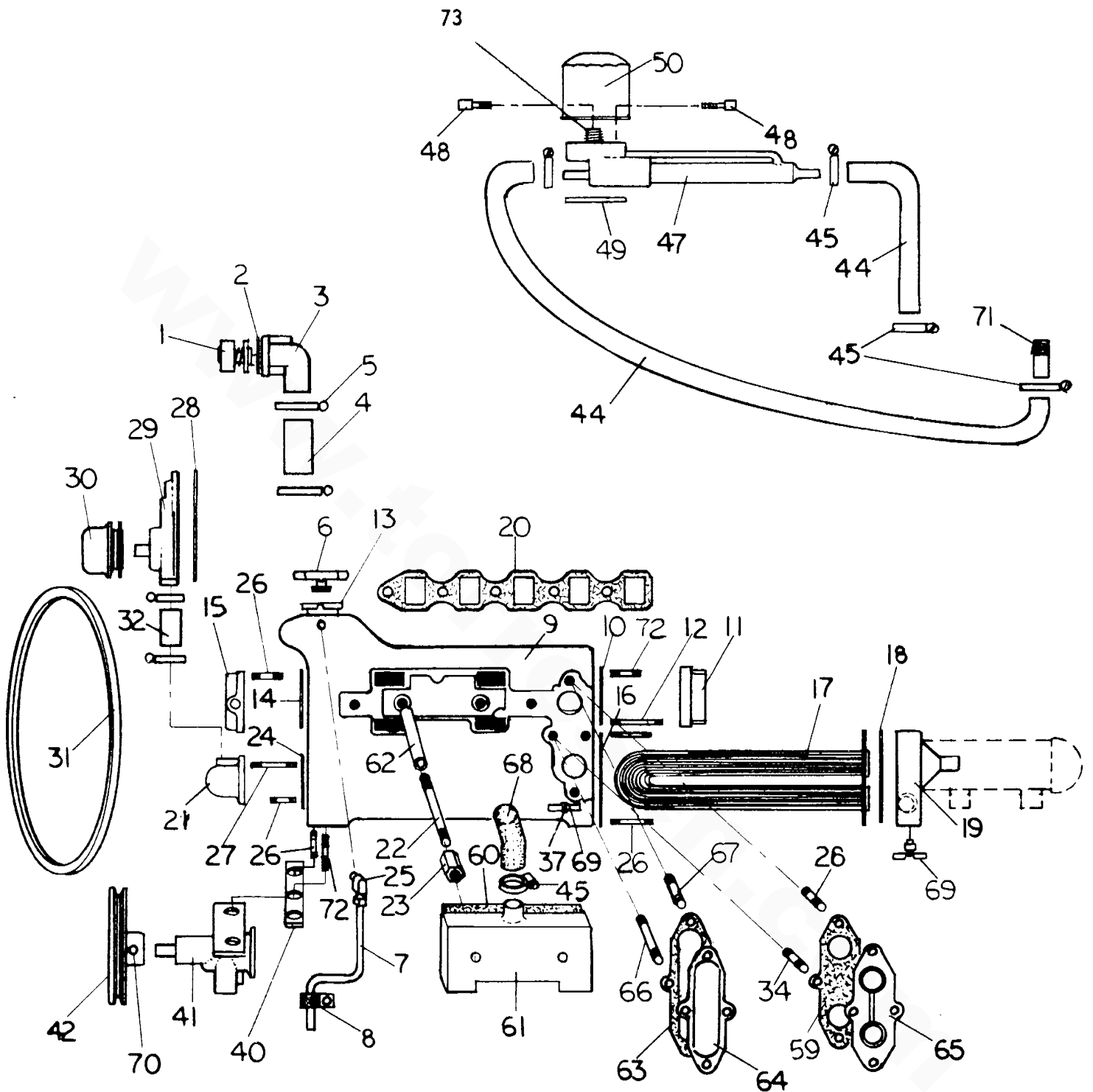
REF	PN	NAME	REMARKS	QUAN
56- 3	24919	WASHER	USE WITH 24743 BRACKET	1
57	19324	PLUG	UNUSED EXHAUST OUTLET IN MANIFOLD	1
58	19369	PLUG	LUBE OIL COOLER	2
59	21536	SILENCER	AIR INTAKE	1
60	24691	THERMOSTAT		1
61	23169	CAP	RUBBER END CAP FOR EXCHANGER	1
62	13716	PLUG	HEX HEAD BRASS	1
63	13338	ELBOW	STREET-BRASS	1

www.torresen.com



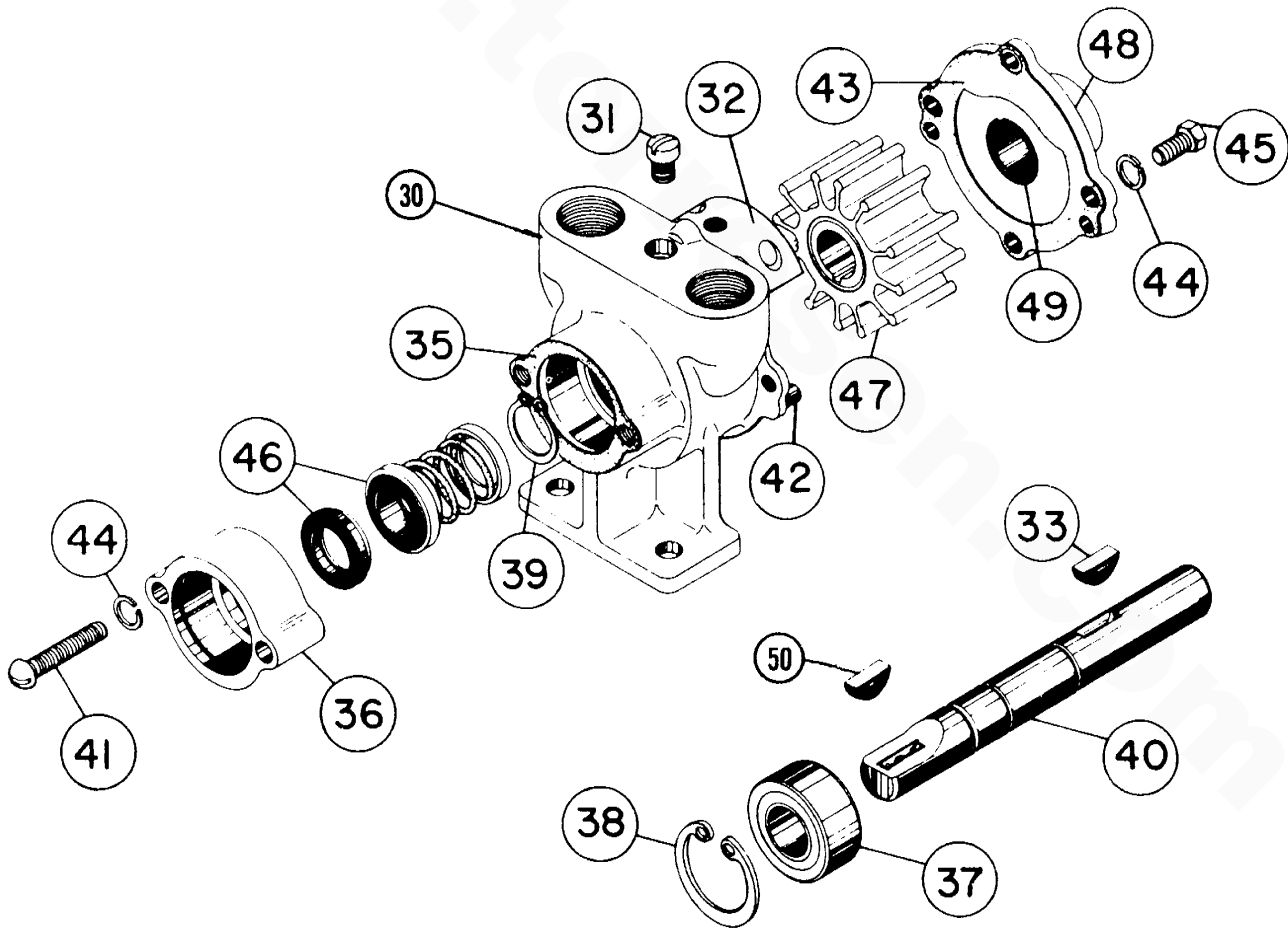
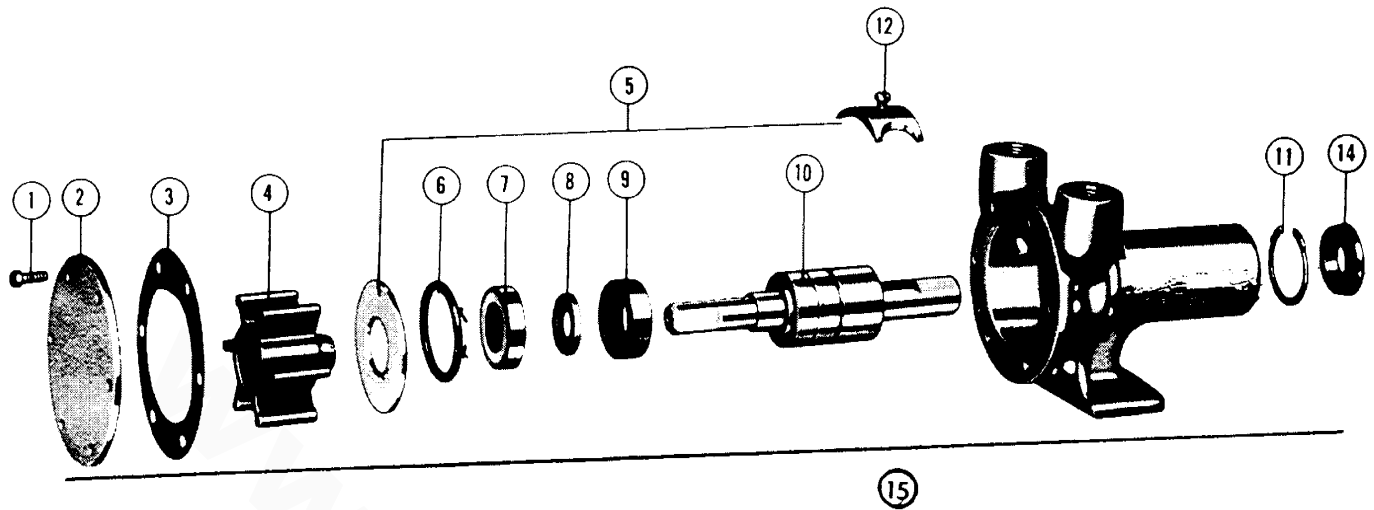
Drawing 15711

REF	PN	NAME	REMARKS	QUAN
1	15784	MANIFOLD	NO LONGER HAS REMOVABLE END PLATES	1
2	15799	EXCHANGER	HEAT	1
3	11830	PUMP	SEA WATER	1
4	11199	COOLER	LUBE OIL	1
5	15767	HOUSING	THERMOSTAT	1
5- 1	17909	PUMP	FRESH WATER-FROM 786A/D101	1
6- 2	14604	PUMP	FRESH WATER-TO 786A/D106	1
6- 3	14539	KIT	14604 FRESH WATER PUMP REPAIR	1
6- 4	17888	GASKET	17909 FRESH WATER PUMP TO BLOCK	1
6- 5	14527	GASKET	14604 FRESH WATER PUMP TO BLOCK	1
6- 6	20715	IMPELLER	14604 PUMP-2-3/8 DIAMETER	1
6- 7	20714	SHAFT	14604 PUMP-2-3/8 DIAMETER IMPELLER	1
7	16655	ELEMENT	LUBE OIL FILTER	1
8	12919	BRACKET	MOUNT SEA WATER PUMP	1
9	11371	PULLEY	SEA WATER PUMP	1
10	13862	PULLEY	FRESH WATER PUMP	1
12	13661	PLATE	REAR EXHAUST FLANGE	1
13	13662	GASKET	MANIFOLD FLANGE	2
14	13600	PLATE	FRONT MANIFOLD COVER	1
15	21536	SILENCER	AIR INTAKE-REPLACES PAPER FILTER	1
19	21498	HOSE	THERMOSTAT HOUSING TO MANIFOLD	1
20	13337	ELBOW		2
21	13519	NIPPLE	HOSE	2
22	21516	HOSE	INCHES REQUIRED	38
23	13671	HOSE	FRESH WATER PUMP TO EXCHANGER	1
24	11517	HOSE	INCHES REQUIRED	20
25	13617	NIPPLE	OIL FILTER	1
26	11751	NECK	FILLER	1
27	11499	CAP	PRESSURE	1
28	13329	ELBOW	WATER OVERFLOW	1
29	13680	GASKET	AIR SILENCER TO MANIFOLD	1
30	11471	PETCOCK		2
31	13663	GASKET	MANIFOLD TO EXCHANGER	2
32	11285	NIPPLE		1
33	11263	STUD	EXHAUST FLANGE TO MANIFOLD	6
34	11926	STUD	FRONT PLATE & EXCHANGER TO MANIFOLD	12
35	11927	STUD	AIR SILENCER	2
36	11859	GASKET	MANIFOLD TO HEAD	1
37	11415	CLAMP	HOSE-STAINLESS	4
38	11341	CLAMP	HOSE-STAINLESS	AR
39	14567	GASKET	OIL COOLER TO BLOCK	1
40	14501	GASKET	THERMOSTAT HOUSING	1
41	11494	PLUG		1
42	11500	TUBING	WATER OVERFLOW-INCHES REQUIRED	10
43- 1	13878	BELT	ONE BELT SYSTEM	1
43- 2	15768	BELT	SEA WATER PUMP DRIVE-TWO BELT SYSTEM	1
43- 3	15147	BELT	FRESH WATER PUMP DRIVE-TWO BELT SYSTEM	1
52	15035	WINGNUT	AIR SILENCER	2



Drawing No. 13872

REF	PN	NAME	REMARKS	QUAN
1	24609	THERMOSTAT		1
2	14501	GASKET	THERMOSTAT HOUSING	1
3- 1	13306	HOUSING	THERMOSTAT-UPPER MANIFOLD WATER INLET	1
3- 2	15760	HOUSING	THERMOSTAT-LOWER MANIFOLD WATER INLET	1
4	11472	HOSE	INCHES REQUIRED	AR
5	11405	CLAMP	HOSE-STAINLESS	4
6	11499	CAP	PRESSURE	1
7	11500	TUBING	WATER OVERFLOW-INCHES REQUIRED	AR
8	13926	CLAMP	WATER OVERFLOW TUBE	1
9	15050	MANIFOLD		1
10	12257	GASKET	EXHAUST FLANGE	1
11	12241	FLANGE	EXHAUST	1
12	12272	STUD	EXHAUST FLANGE-LONG	1
14	12259	GASKET	MANIFOLD COVER	1
15	12238	COVER	MANIFOLD END	1
16	12256	GASKET	MANIFOLD TO EXCHANGER	1
17	11845	EXCHANGER	HEAT	1
18	12260	GASKET	EXCHANGER TO CAP	1
19	13785	CAP	EXCHANGER END	1
20	11859	GASKET	MANIFOLD TO HEAD	1
21	12240	ELBOW		1
22	11819	STUD	MANIFOLD	4
23	12306	NUT	STANDOFF-INTAKE COVER	2
24	11190	GASKET	ELBOW	1
25	13329	ELBOW		1
26	11928	STUD	ELBOW & EXHAUST FLANGE-SHORT	7
27	11927	STUD	ELBOW-LONG	1
31- 1	13917	BELT	FOR 13279 RIGHT FRONT MOUNT-OLD	1
31- 2	13875	BELT	FOR 13864 & 14153 MOUNT	1
32	15774	HOSE		AR
34	13920	STUD		2
37	13339	ADAPTER	PETCOCK	1
40	13529	BRACKET	SEA WATER PUMP MOUNTING	1
41	11850	PUMP	SEA WATER	1
42	11371	PULLEY	SEA WATER PUMP	1
44	11517	HOSE	INCHES REQUIRED	36
45	11341	CLAMP	HOSE-STAINLESS	6
47	11199	COOLER	LUBE OIL	1
49	14567	GASKET	COOLER TO BLOCK	1
50	16657	ELEMENT	LUBE OIL FILTER	1
59	13837	GASKET		1
60	12287	ELEMENT	AIR INTAKE	1
61	13291	COVER	AIR INTAKE	1
62	12288	TUBING	MANIFOLD STUD PROTECTING	2
63	12258	GASKET	RETURN BEND	1
64	12236	BEND	RETURN	1
65	13312	FLANGE	FRESH WATER INTERRUPTING	1
66	11929	STUD	RETURN BEND-LONG	2
67	11930	STUD	RETURN BEND-SHORT	2
68	11656	HOSE	BREATHER	1
69	11471	PETCOCK		1
72	11853	STUD	EXHAUST FLANGE-SHORT	3
73	13610	NIPPLE	OIL FILTER	1

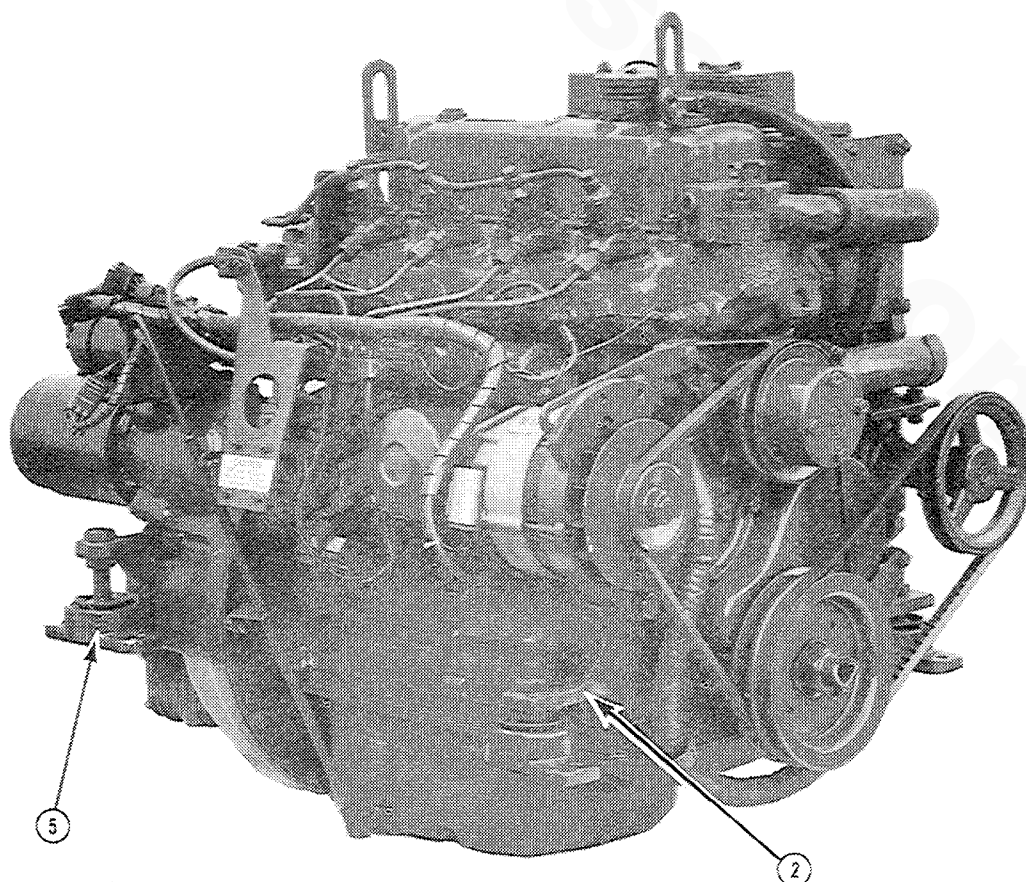
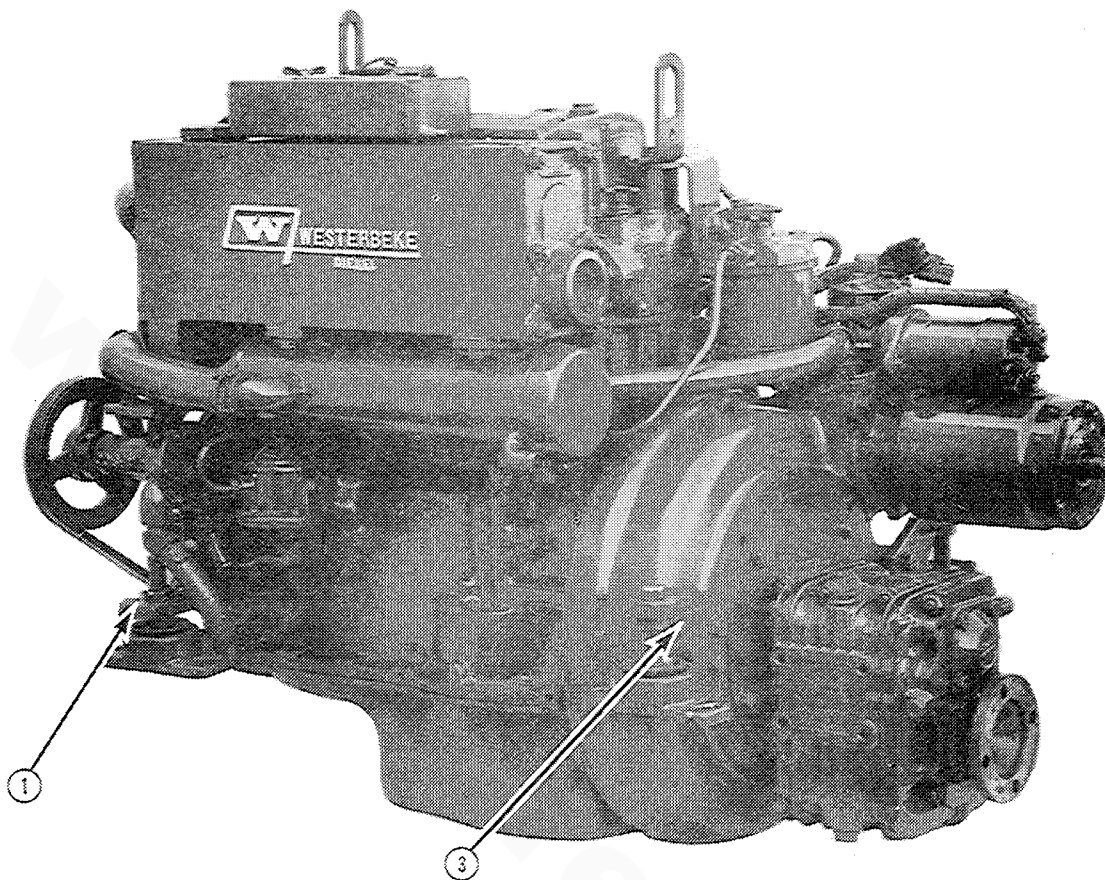


REF	PN	NAME	REMARKS	QUAN
1	18188	SCREW	COVER	6
2	18183	COVER		1
3	18182	GASKET	COVER	1
4	18184	IMPELLER		1
5	18186	CAM	INCLUDING WEAR PLATE	1
6	18191	O-RING		1
7	18193	SEAL	SHAFT	1
8	18181	SLINGER		1
9	18194	SEAL	BEARING-INNER	1
10	18185	SHAFT		1
11	18190	SNAPRING		1
12	18189	SCREW	CAM	1
14	18192	SEAL	BEARING-OUTER	1
15- 1	11830	PUMP	COMPLETE	1
15- 2	14768	KIT	IMPELLER AND SEAL REPLACEMENT	1
30- 2	24650	HOUSING	PUMP BODY ASSEMBLY	1
30- 3	24652	KIT	MAJOR REPAIR	1
31	24647	SCREW	PUMP HOUSING TO CAM	1
32	24648	CAM		1
33	12915	KEY	IMPELLER TO SHAFT	1
34	19369	PLUG	DRAIN	1
35	24651	GASKET	BEARING TO PUMP HOUSINGS	1
36	24653	HOUSING	BEARING-ASSEMBLY	1
37	24654	BEARING		1
38	24655	RING	RETAINING	1
39	24656	RING	RETAINING	3
40	24657	SHAFT		1
41	24659	SCREW	BEARING TO PUMP HOUSINGS	2
42	18142	DOWEL	COVER TO PUMP HOUSING	2
43	24646	GASKET	IMPELLER COVER	1
44	24645	LOCKWASHER	BRASS	8
45	24644	SCREW	BRASS-IMPELLER COVER	6
46	24649	SEAL	WITH SEAT	1
47	11764	IMPELLER		1
48	24643	COVER	IMPELLER	1
49	24642	BUSHING	GRAPHITE	1
50	24658	KEY	DRIVE PULLEY TO SHAFT	1

NOTE: Ref 1 thru 15 are for the 11830 pump with 5/8" dia shaft and Ref 30 thru 50 are for the 24102 pump with 1/2" dia shaft



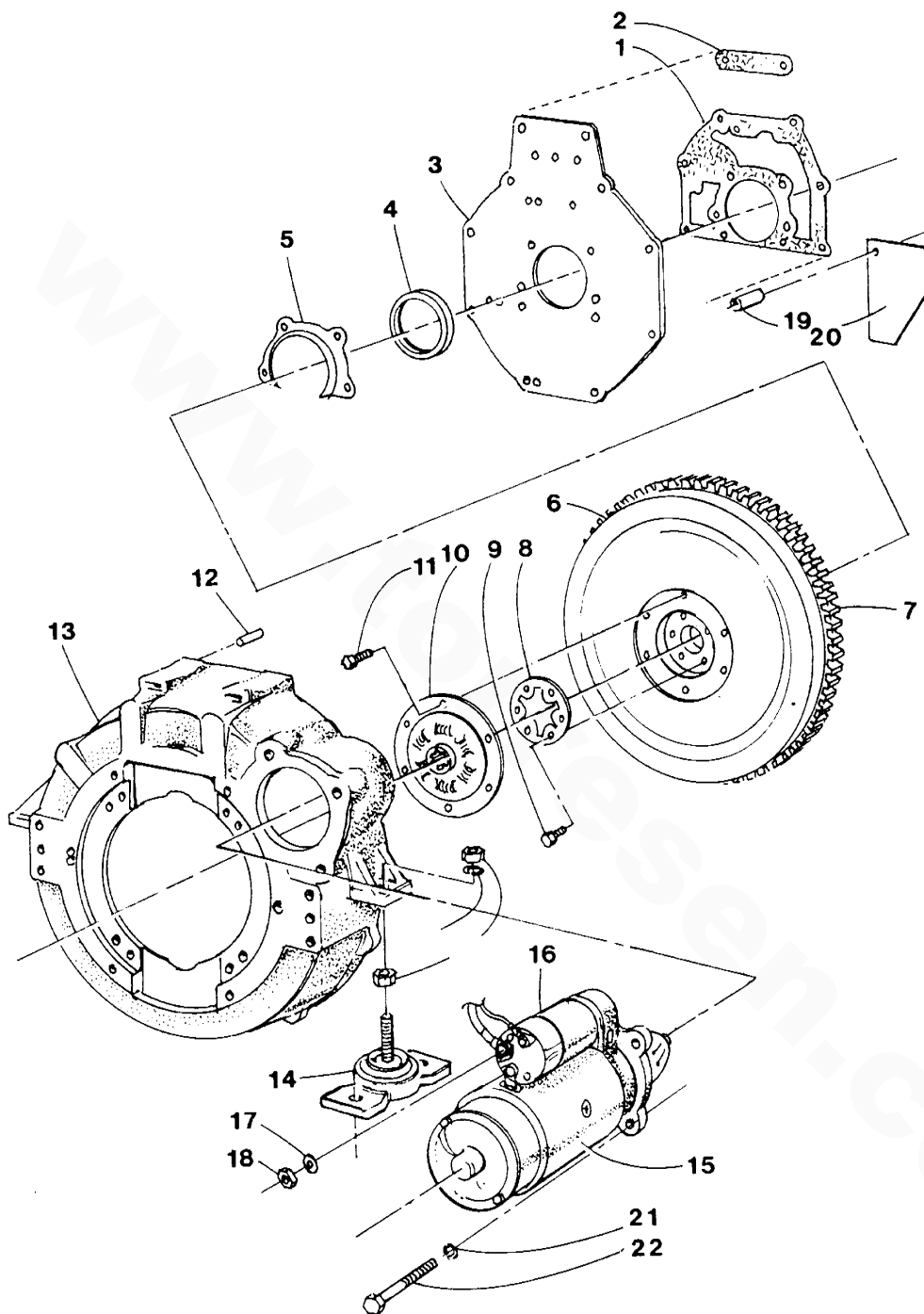
WESTERBEKE 30 - MOUNTS



REF	PV	NAME	REMARKS	QJAN
1	13278	MOUNT	FRONT LEFT-STANDARD	1
2	13864	MOUNT	FRONT RIGHT-STANDARD	1
3- 1	16342	MOUNT	REAR RIGHT & LEFT-REAR HOUSING PAD	2
3- 2	12275	MOUNT	REAR RIGHT & LEFT- SIDE HOUSING PAD	2
3- 3	13470	MOUNT	REAR LEFT-HIGH	1
4	13468	MOUNT	REAR RIGHT-HIGH	1
5	11687	ISOLATORS		4
6- 1	14153	MOUNT	FRONT CENTER-CAST-REPLACED BY 13863	1
6- 2	13863	MOUNT	FRONT CENTER	1

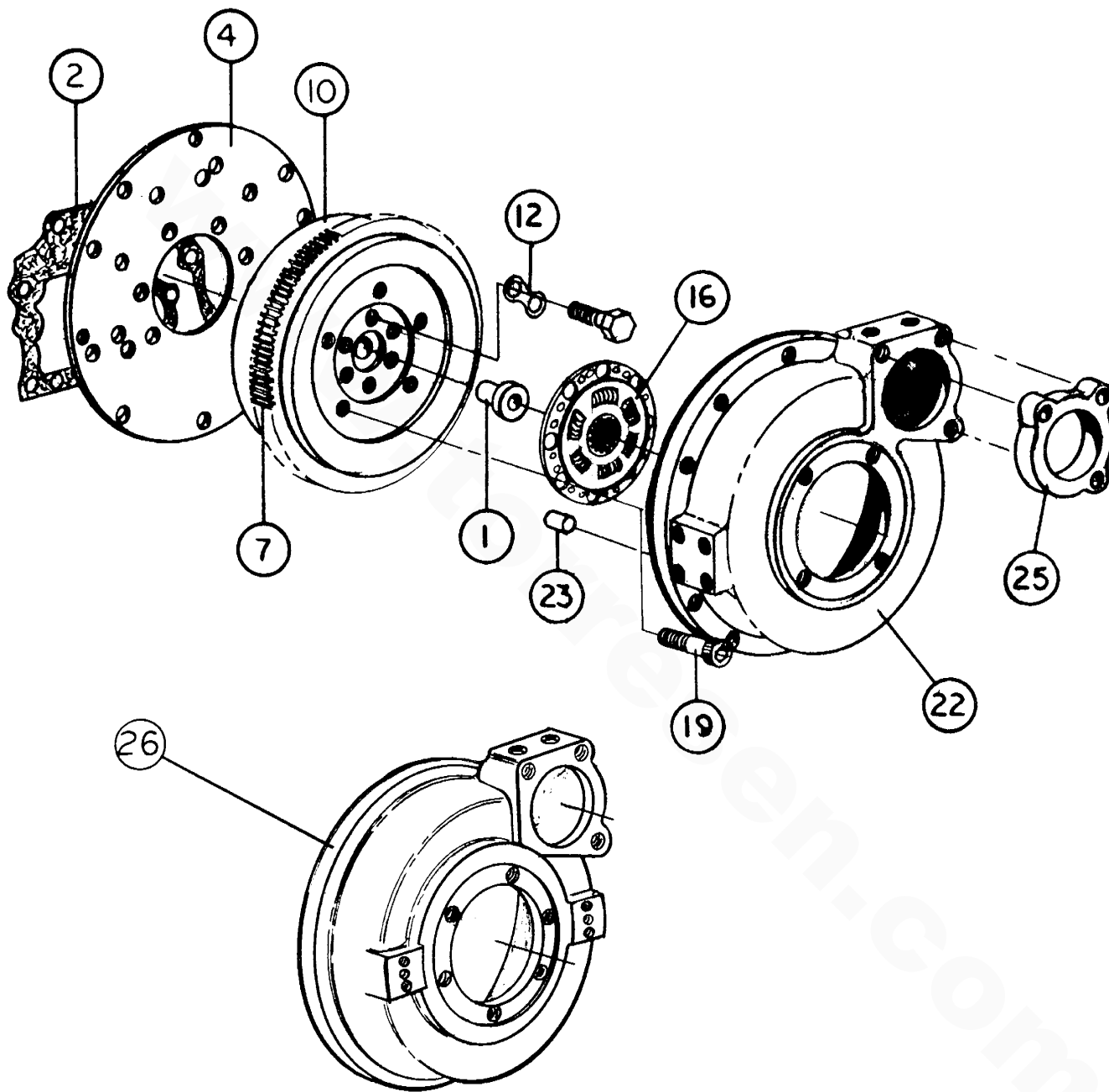
www.torresen.com

WESTERBEKE 30-49-50-58-63 - COMMON BACK END

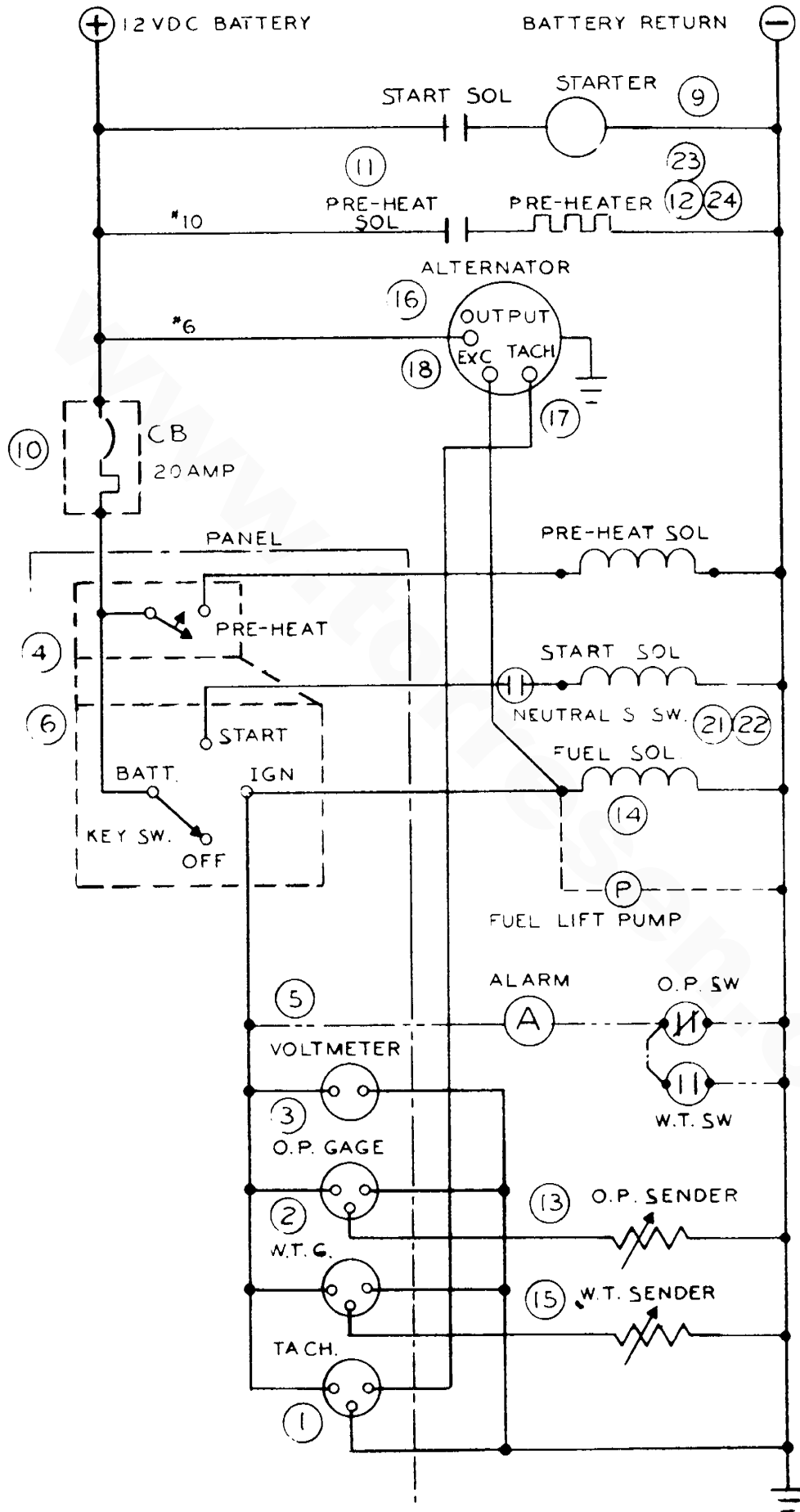


REF	PN	NAME	REMARKS	QUAN
		NOTE	ABSENCE OF A LISTING INDICATE NO PART USED ON THAT MODEL	
1- 1	11858	GASKET	BACKPLATE TO BLOCK-W30	1
1- 2	23175	GASKET	BACKPLATE TO BLOCK-W50	1
1- 3	17583	GASKET	BACKPLATE TO BLOCK-W60	1
2- 1	23174	GASKET	BACKPLATE TO BLOCK-UPPER-W50	1
2- 2	17748	GASKET	BACKPLATE TO BLOCK-UPPER-W60	1
3- 1	23788	BACKPLATE	W30,W50,W60	1
3- 2	23948	BACKPLATE	W40,W58	1
4	16519	SEAL	OIL-W50,W60	1
5	23173	RETAINER	OIL SEAL TO BACKPLATE-W50	1
6- 1	24722	FLYWHEEL	WITH RING GEAR-W30	1
6- 2	24723	FLYWHEEL	WITH RING GEAR-W40	1
6- 3	24724	FLYWHEEL	WITH RING GEAR-W50	1
6- 4	24725	FLYWHEEL	WITH RING GEAR-W58	1
6- 5	24726	FLYWHEEL	WITH RING GEAR-W60	1
7	23579	GEAR	RING	1
8- 1	24142	TABWASHER	W30	1
8- 2	14720	TABWASHER	W40	1
8- 3	13072	TABWASHER	W50,W60	1
8- 4	24412	TABWASHER	W58	1
9- 1	24124	BOLT	FLYWHEEL-W30	6
9- 2		BOLT	FLYWHEEL-W40-7/16NF X 1-1/8 GR-5	5
9- 3		BOLT	FLYWHEEL-W50-7/16NF X 2 GR-5	5
9- 4	24411	BOLT	FLYWHEEL-W58	6
9- 5	17727	BOLT	FLYWHEEL-W60	6
10- 1	11618	DAMPER	HYDRAULIC,SAO MANUAL & SHORT PROFILE 20	1
10- 2	19398	DAMPER	SHORT PROFILE MODEL 10,50,100,150	1
11	13555	CAPSCREW	DAMPER TO FLYWHEEL	5
12	19039	DOWEL	HOUSING TO BACKPLATE	2
13	23606	HOUSING	FLYWHEEL	1
14	11687	ISOLATOR	PEAR	2
15	16762	MOTOR	STARTER INCLUDING SOLENOID	1
16	23338	SOLENOID	STARTER MOTOR	1
17	16502	WASHER	BRASS-SOLENOID BATTERY TERMINAL	1
18	16091	NUT	BRASS-SOLENOID BATTERY TERMINAL	1
19	21722	SPACER	BACKPLATE TO CIRCUIT BREAKER BPACKET	2
20	24065	BRACKET	CIRCUIT BREAKER	1
21		LOCKWASHER	3/8	3
22		CAPSCREW	3/8NC X 1-1/4	3

WESTERBEKE 33 - BACK END TO OCT 1979



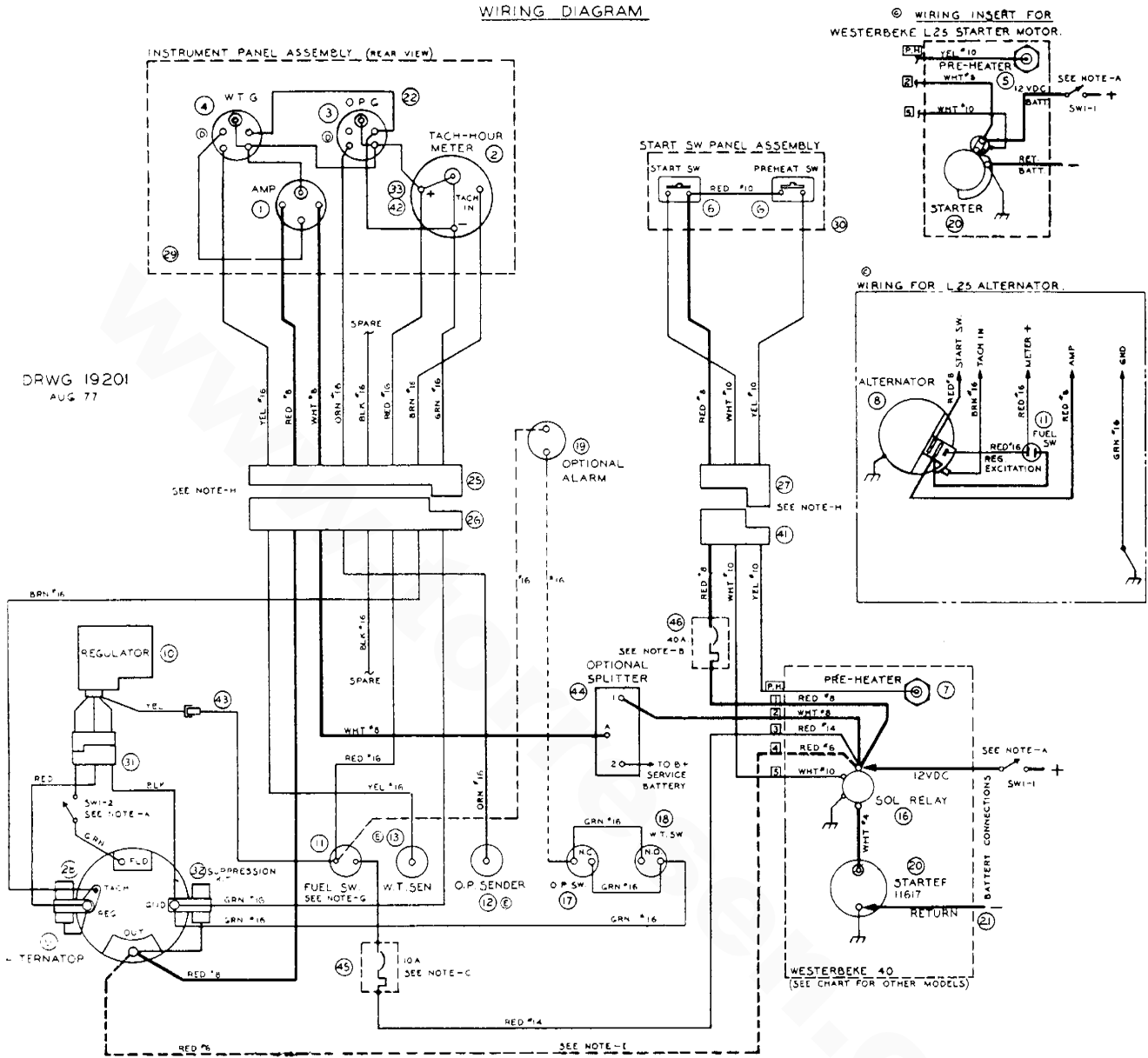
REF	PN	NAME	REMARKS	QUAN
1	11950	RUSHING		1
2	11858	GASKET	BACKPLATE TO BLOCK	1
4- 1	13244	BACKPLATE	14.00 OD-SIDE PAD HSNGS-ORSOLETE	1
4- 2	16038	BACKPLATE	14.75 OD-REAR PAD HSNGS	1
7- 1	11315	RING GEAR	11.15 ID-FLYWHEEL 14132	1
7- 2	12596	RING GEAR	12.09 ID-FLYWHEEL 13383	1
10- 1	14132	FLYWHEEL	11.50 OD-SIDE PAD HSNGS-ORSOLETE	1
10- 2	13383	FLYWHEEL	12.25 OD-REAR PAD HSNGS	1
12	14434	TABWASHER		3
15- 1	11618	DAMPER	HYDRAULIC & SAO MANUAL TRANSMISSIONS	1
15- 2	13880	DAMPER	FREEWHEELING SAILING TRANSMISSION	1
16- 3	16398	DAMPER	SHORT PROFILE TRANSMISSION	1
19	13555	SCREW		5
22- 1	16020	HOUSING	TYPE SAO MANUAL TRANSMISSION-ORSOLETE	1
22- 2	13924	HOUSING	FREEWHEELING SAILING TRANSMISSION-OR	1
23	13919	DOWEL	HOUSING TO BACKPLATE	2
25	12249	SPACER	USED WITH 11555 STARTER MOTOR	1
26- 1	16036	HOUSING	UNIVERSAL-FROM APPROX 1975	1
26- 2	13410	HOUSING	TYPE SAO MANUAL TRANSMISSION	1
26- 3	13422	HOUSING	FREEWHEELING SAILING TRANSMISSION	1



REF	PN	NAME	REMARKS	QUAN
1	11917	METER	TACHOMETER-HOURMETER	1
2	11545	GAUGE	WATER TEMPERATURE	1
3	24133	GAUGE	OIL PRESSURE 0-100 PSI	1
4- 1	11957	SWITCH	PUSHBUTTON PRE-HEAT	1
4- 2	19031	CAP	SWITCH PROTECTIVE COVER	1
5	23090	VOLTMETER	12VDC NEG GROUND	1
5- 1	24777	KEYSWITCH	OFF-ON-START-PUSH TO PRE-HEAT	1
5- 2	11956	KEYSWITCH	OFF-ON-START	1
5- 3	24718	CAP	KEYSWITCH 11956 PROTECTIVE COVER	1
7	24668	HARNESS	PANFL	1
8	24667	HARNESS	ENGINE PREWIRING	1
9- 1	16762	MOTOR	STARTER	1
9- 2	23338	SOLENOID	START-FOR 16762 STARTER	1
10	24683	BREAKER	CIRCUIT-20 AMP	1
11	24639	SOLENOID	PRE-HEAT	1
12- 1	24353	GLOWPLUG	W58	4
12- 2	24354	STRAP	GLOWPLUG CONNECTING-W58	3
13	24132	SENDER	OIL PRESSURE 0-100 PSI	1
14	24338	SOLENOID	FUEL SHUT-OFF-W58	1
15	23571	SENDER	WATER TEMPERATURE 1/8 NPT	1
15- 1	24654	ALTERNATOR	55AMP NEG GROUND WITH REGULATOR	1
15- 2	11544	PULLEY	ALTERNATOR DRIVE	1
17	12959	KIT	ALTERNATOR MOD FOR ELEC TACHOMETER	1
18	11532	KIT	ALTERNATOR SUPPRESSION	1
19	24667	PANFL	INSTRUMENT-COMPLETE	1
20	24629	PANFL	INSTRUMENT-PLATE ONLY	1
21	23399	SWITCH	NEUTRAL SAFETY WARNER TRANSMISSION	1
22	23433	SWITCH	NEUTRAL SAFETY PARAGON TRANSMISSION P270	1
23	11537	PREHEATER	MANIFOLD W40	1
24- 1	14529	GLOWPLUG	W30,W50	4
24- 2	14494	WIRE	GLOWPLUG CONNECTING 4.25 LONG-W30,W50	AR
25	20654	SPLITTER	ALTERNATOR OUTPUT-OPTIONAL	1
26	11581	AMMETER	60-0-60-OPTIONAL	1
27	13355	ALARM	OPTIONAL	1
28	13342	SWITCH	WATER TEMPERATURE-NO-OPTIONAL ALARM	1
29	11552	SWITCH	OIL PRESSURE-NC-OPTIONAL ALARM	1

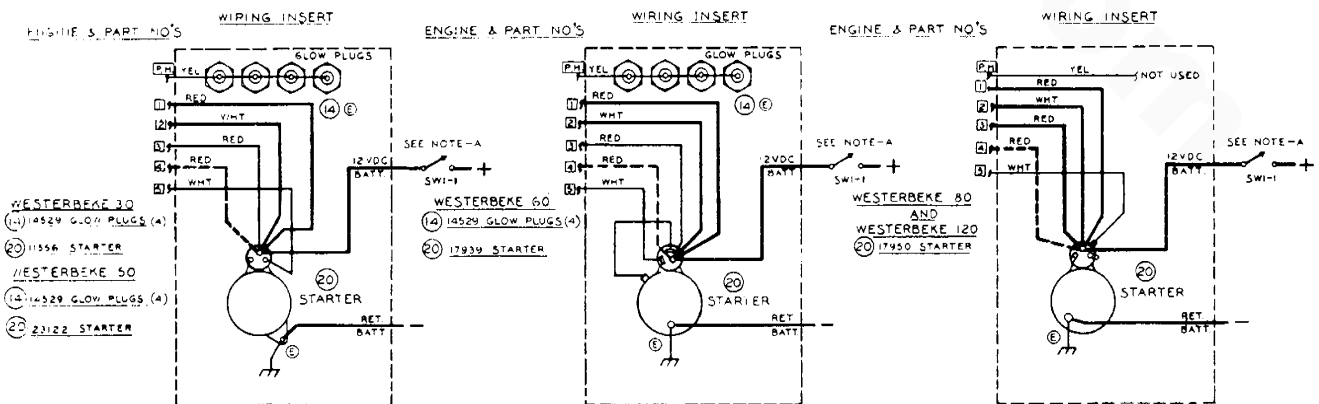


WIRING DIAGRAM



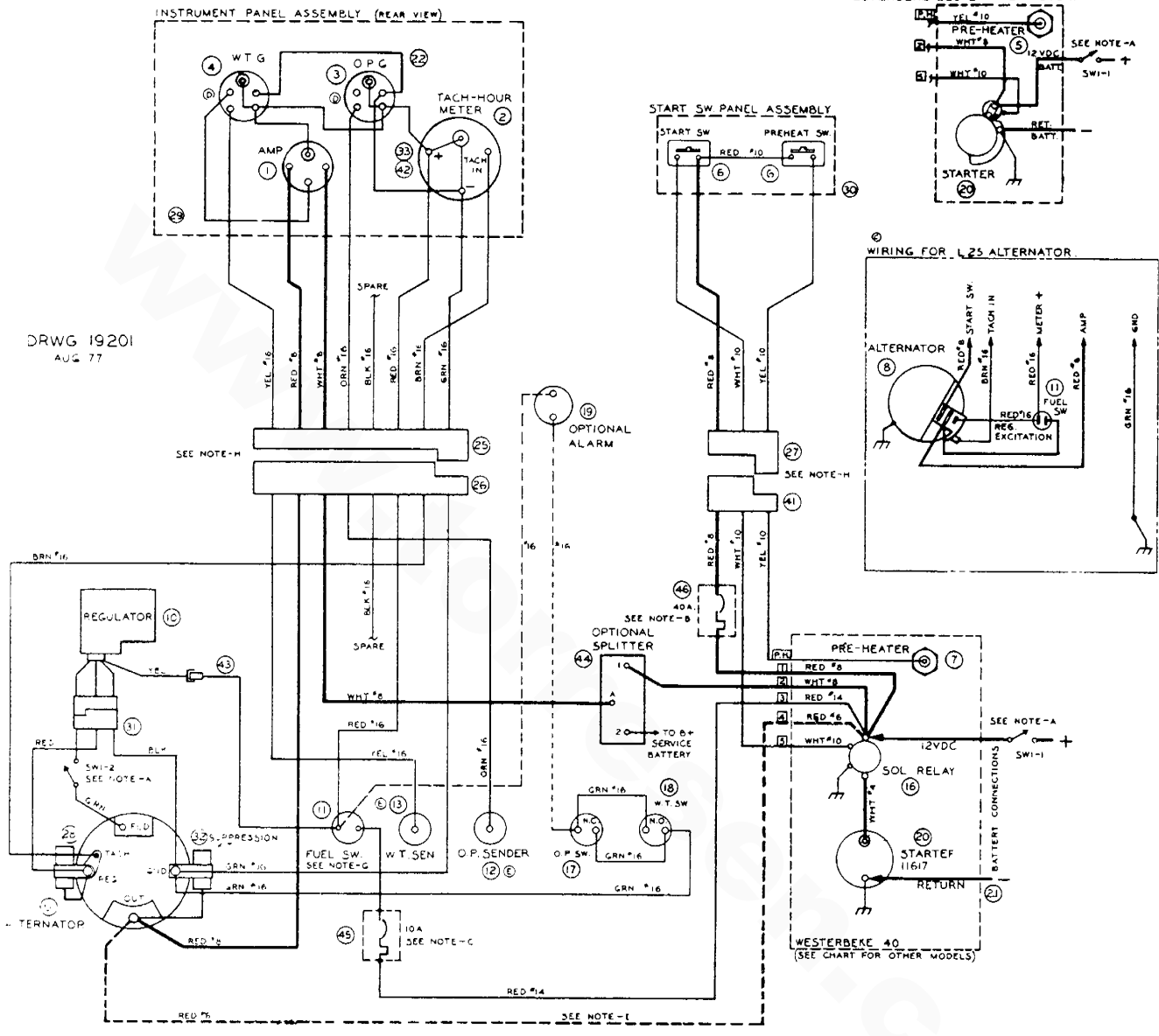
DRWG 19201  
AUG 77

CHART FOR STARTER MOTORS AND HEATERS



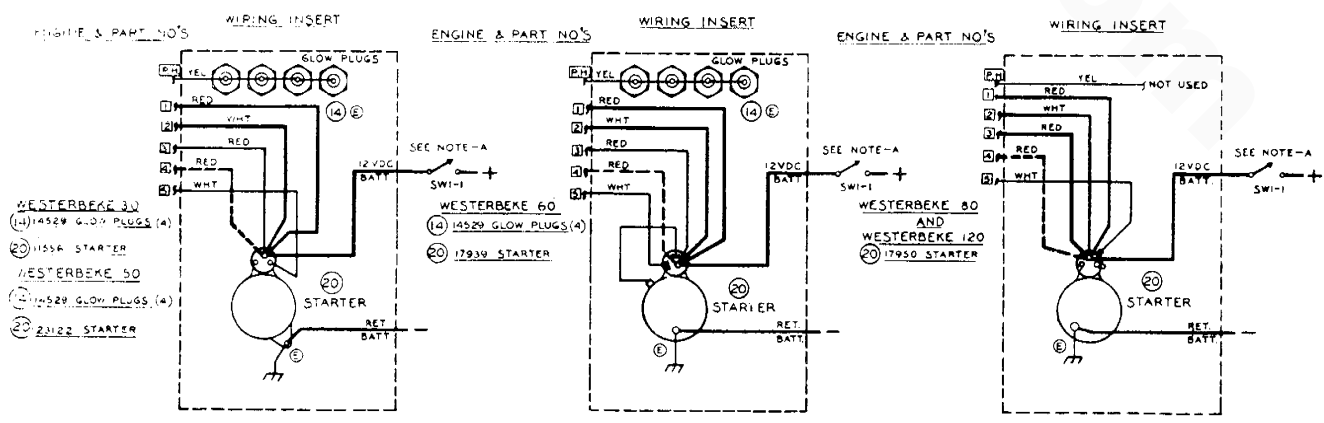
REF	PV	NAME	REMARKS	QJAN
1- 1	11581	AMMETER	60-0-60	1
1- 2	21890	AMMETER	100-0-100	1
1- 3	21891	SHUNT	USED WITH 21890 AMMETER	1
1- 4	23634	AMMETER	60-0-60	1
1- 5	23635	SHUNT	USED WITH 23635 AMMETER	1
2	11917	METER	TACHOMETER-HOURMETER	1
3	11544	GAUGE	OIL PRESSURE	1
4	11545	GAUGE	WATER TEMPERATURE	1
6- 1	11957	SWITCH	PUSHBUTTON	2
6- 2	19031	CAF	SWITCH PROTECTIVE COVER	2
9- 1	19270	ALTERNATOR	55 AMP NEG GROUND	1
9- 2	11548	PULLEY	ALTERNATOR DRIVE	1
9- 3	11534	ALTERNATOR	55 AMP 12 VOLT UNGROUNDED	1
9- 4	11125	STRAP	ALTERNATOR ADJUSTING	1
9- 5	22224	BRACKET	ADJUSTING STRAP MOUNTING-W60	1
9- 6	11671	ALTERNATOR	85 AMP NEG GROUND	1
9- 7	11677	ALTERNATOR	120 AMP NEG GROUND	1
9- 8	22219	PULLEY	ALTERNATOR DRIVE 2 GROOVE	1
9- 9	11674	RESISTOR	85-120 AMP ALTERNATOR	1
10- 1	11550	REGULATOR	55 AMP ALTERNATOR	1
10- 2	11542	REGULATOR	85-120 AMP ALTERNATOR	1
10- 3	23084	CABLE	REGULATOR TO ALTERNATOR CABLE	1
11	11343	SWITCH	FUEL - NORMALLY OPEN	1
12	11542	SENDER	OIL PRESSURE	1
13- 1	11543	SENDER	WATER TEMPERATURE 1/4 NPT	1
13- 2	23571	SENDER	WATER TEMPERATURE 1/8 NPT	1
14- 1	14524	GLOWPLUG	W30, W50, W50 AG-32, 70 WATT	AR
14- 2	23764	GLOWPLUG	W60 AC-50, 95 WATT	AR
14- 3	14494	WIRE	GLOWPLUG CONNECTING 4.25 LONG	AR
15- 1	17959	SOLENOID	START-FOR 17939 STARTER	1
15- 2	23338	SOLENOID	START-FOR 16742 STARTER	1
15- 3	23942	SOLENOID	START-FOR 23122 STARTER	1
17	11552	SWITCH	OIL PRESSURE-NC-OPTIONAL ALARM	1
18	13382	SWITCH	WATER TEMPERATURE-NO-OPTIONAL ALARM	1
19	13355	ALARM	OPTIONAL	1
20- 1	17939	MOTOR	STARTER-W60	1
20- 2	17907	KIT	BRUSH FOR 17939 STARTER	1
20- 3	17947	SPRING	BRUSH FOR 17939 STARTER	1
20- 4	16742	MOTOR	STARTER-W30	1
20- 5	11554	MOTOR	STARTER-FOUR 91-REPLACED BY 16742	1
20- 6	23122	MOTOR	STARTER-W50	1
22	19215	HARNES	PANEL-GAUGE CONNECTING	2
25- 1	19209	CABLE	INSTRUMENT PANEL FROM ENGINE	1
25- 2	19210	CABLE	INSTRUMENT PANEL 10FT EXTENSION OPTION	1
26	19218	HARNES	ENGINE PREWIRING	1
27- 1	19206	CABLE	START PANEL FROM ENGINE	1
27- 2	19207	CABLE	START PANEL 10FT EXTENSION OPTION	1
28	12959	KIT	ALTERNATOR MOD FOR ELEC TACHOMETER	1
29- 1	19285	PANEL	INSTRUMENT COMPLETE STANDARD	1
29- 2	22283	PANEL	INSTRUMENT COMPLETE 100AMP	1

WIRING DIAGRAM

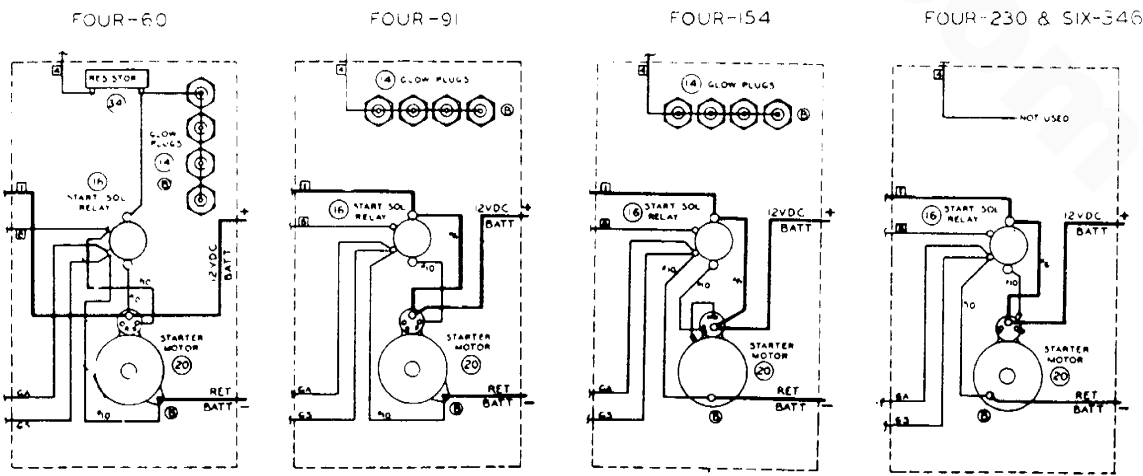
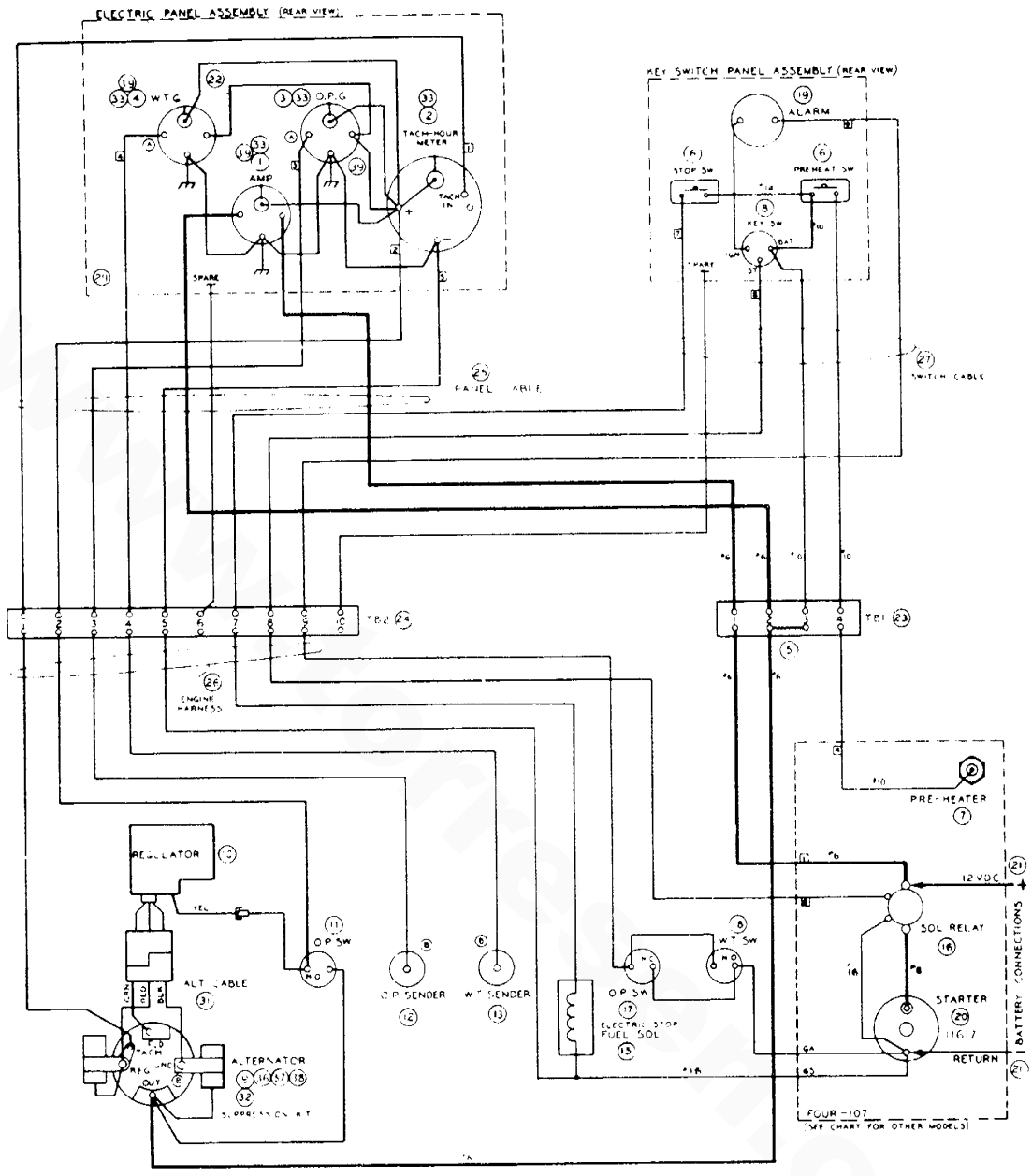


DRWG 19201  
AUG 77

CHART FOR STARTER MOTORS AND HEATERS

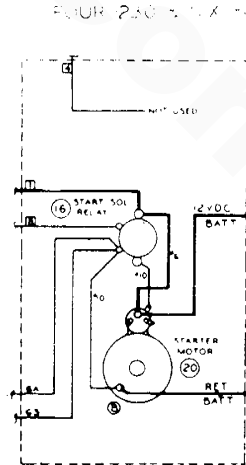
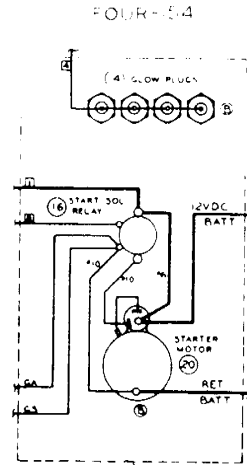
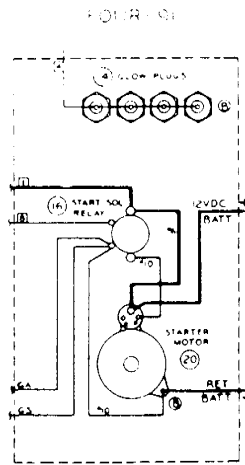
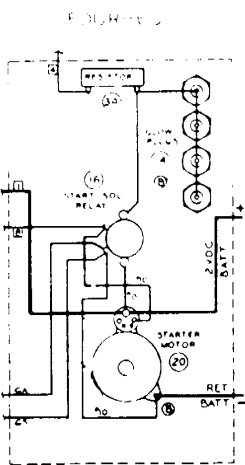
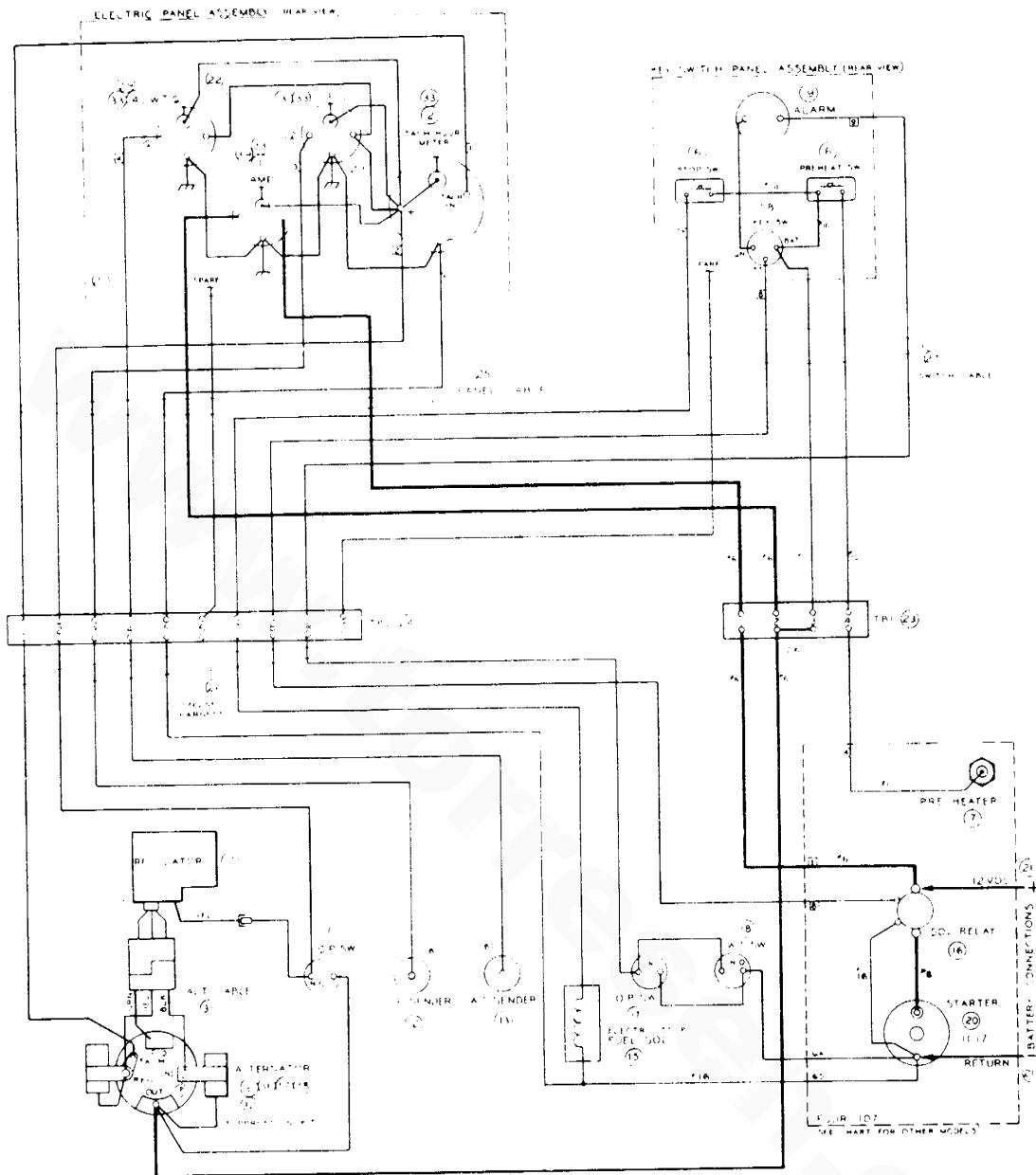


REF	PN	NAME	REMARKS	QUAN
30	19283	PANEL	START-PREHEAT COMPLETE	1
31	11549	CABLE	ALTERNATOR TO REGULATOR	1
32	11532	KIT	SUPPRESSION-ALTERNATOR	1
33	11432	LAMPS	METERS AND GAUGES	4
36- 1	21694	BRACKET	55A PRI ALT MOUNTING-W60	1
36- 2	23012	BRACKET	85-120A PRI ALT MOUNTING-W60	1
36- 3	23014	BRACKET	85-120A PRI ALT MOUNTING-W60	1
36- 4	23480	BRACKET	55A EXTRA ALT MOUNTING-W60	1
37- 1	22030	BELT	PRI ALT DRIVING-W60	AR 1
37- 2	16654	BELT	55A ALT DRIVING-FOUR 154	1
37- 3	15147	BELT	55A ALT DRIVING-W30	1
41	19205	HARNESS	ENGINE-STARTING	1
42	19216	HOLDER	LAMP	1
43	11670	WIRE	REGULATOR EXCITATION	1
44	20654	SPLITTER	ALTERNATOR OUPUT-OPTION	1
45	20946	BREAKER	CIRCUIT - 10 AMP	1
46	20947	BREAKER	CIRCUIT - 40 AMP	1
70- 1	22251	BRACKET	CIRCUIT BREAKER MOUNTING-W60	1
70- 2	12976	BRACKET	REGULATOR & CIRCUIT BREAKER MOUNTING	1
71	11969	MANIFOLD	OIL PRESSURE FOR OPTIONAL SWITCHES	1
72	11981	HOSE	BLOCK TO OIL PRESSURE MANIFOLD	1



Drawing No. 15245

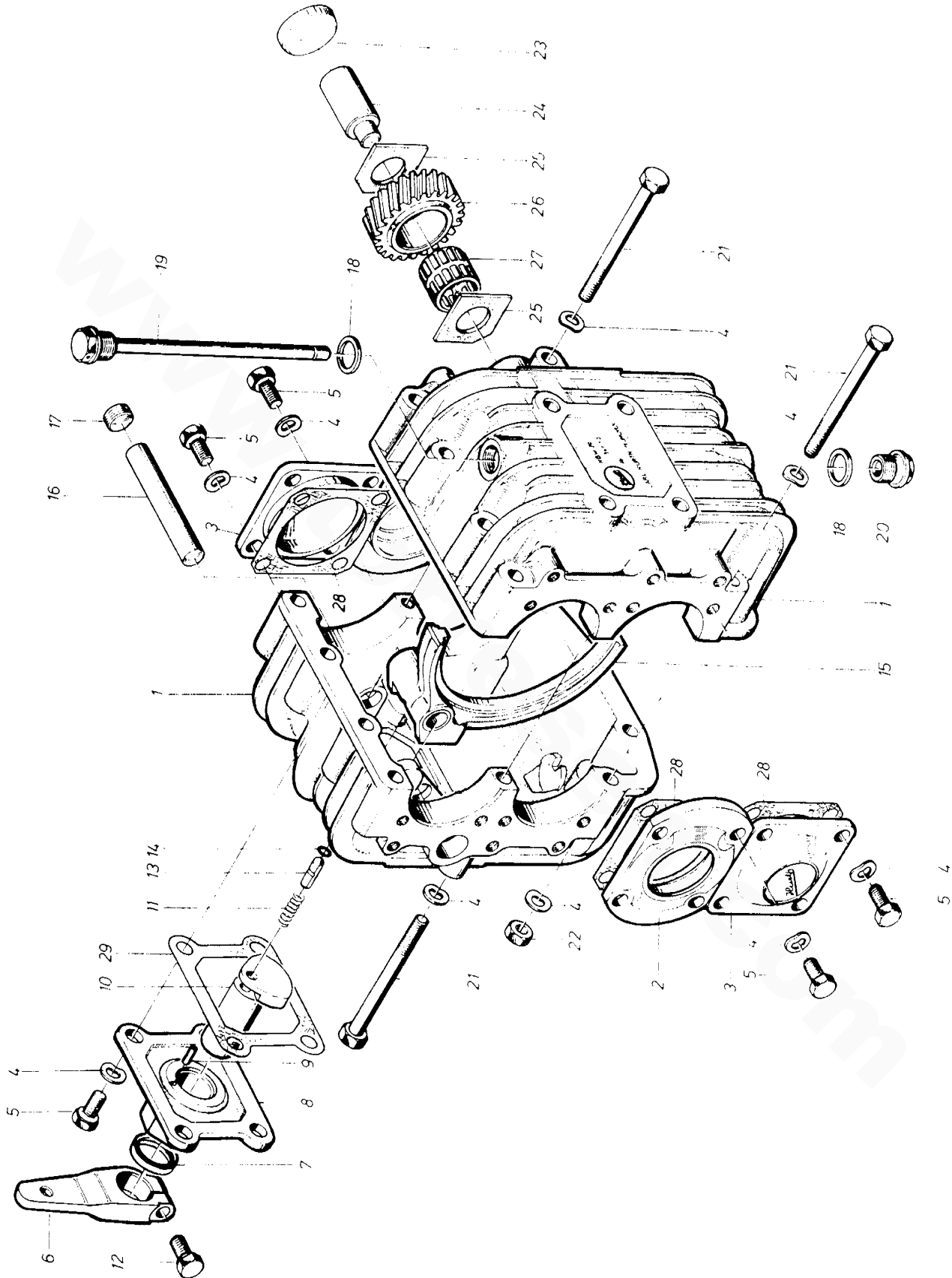
REF	PN	NAME	REMARKS	QUAN
1	11581	AMMETER	60-0-60	1
2- 1	11917	TACHOMETER	ELECTRIC-ALTERNATOR DRIVEN	1
2- 2	12945	O-RING	11917 TACH	1
2- 3	12883	TACHOMETER	SKIPPER PANEL	1
3	11544	GAUGE	OIL PRESSURE	1
4	11545	GAUGE	WATER TEMPERATURE	1
5	13938	JUMPER	13320 TERMINAL BLOCK	1
6- 1	11957	SWITCH	PUSHBUTTON	AR
6- 2	13803	SWITCH	PUSHBUTTON-3 TERM FOR UNGRND	AR
6- 3	11958	PLUG	IN LIEU OF PUSHBUTTON	AR
7	11530	PREHEATER	MANIFOLD TYPE	1
8- 1	11956	KEYSWITCH	3 POS - 3 TERM	1
8- 2	11714	KEYSWITCH	4 POS - 3 TERM	1
8- 3	14833	KEYSWITCH	4 POS - 4 TERM	1
9- 1	19270	ALTERNATOR	55 AMP-12 VOLT	1
9- 2	11670	WIRE	EXCITATION 19270 ALTERNATOR	1
9- 3	11548	PULLEY	19270 ALTERNATOR	1
9- 4	11671	ALTERNATOR	85 AMP-12 VOLT	1
9- 5	11677	ALTERNATOR	120 AMP-12 VOLT	1
9- 6	11815	ALTERNATOR	53 AMP-12 VOLT	1
9- 7	11683	ALTERNATOR	100 AMP-12 VOLT	1
9- 8	12871	ALTERNATOR	105 AMP-12 VOLT	1
9- 9	11676	RESISTOR	11671 & 11677 ALTERNATORS	1
10- 1	11550	REGULATOR	19270 & 11534 ALTERNATORS	1
10- 2	11673	REGULATOR	11671 ALTERNATOR	1
10- 3	11678	REGULATOR	11677 ALTERNATOR	1
10- 4	11684	REGULATOR	11683 ALTERNATOR	1
10- 5	11682	REGULATOR	11815 & 12871 ALTERNATORS	1
11	11383	SWITCH	OIL PRESSURE-NORMALLY OPEN	1
12	11542	SENDER	OIL PRESSURE	1
13	11543	SENDER	WATER TEMPERATURE	1
14- 1	15464	GLOWPLUG	FOUR 60	4
14- 2	14529	GLOWPLUG	FOUR 91 & FOUR 154	4
14- 3	14494	WIRE	FOUR 91 GLOWPLUG CONNECTING	3
15- 1	13986	SOLENOID	3.5 X 2.5 X 2.75	1
15- 2	13879	SOLENOID	1.1 X 1.9 DIA	1
15- 3	15190	SOLENOID	3.25 X 1.5 DIA OBS USE 23041	1
15- 4	23041	SOLENOID		1
16	11489	SOLENOID	START	1
17	11552	SWITCH	OIL PRESSURE-NORMALLY CLOSED	1
18	11396	SWITCH	WATER TEMPERATRUE-NORMALLY OPEN	1
19- 1	13355	ALARM		1
19- 2	13759	PLUG	IN LIEU OF ALARM	1
20- 1	11617	MOTOR	STARTER-FOUR 107	1
20- 2	16762	MOTOR	STARTER-FOUR 60 W/7.5IN HOUSING LENGTH	1
20- 3	11556	MOTOR	STARTER-FOUR 91-FOUR 60 W/9.25IN HOUSING	1
20- 4	17939	MOTOR	STARTER-FOUR 154	1
20- 5	17950	MOTOR	STARTER-FOUR 230 & SIX 346	1
22	13777	HARNESS	REAR OF INSTRUMENT PANEL	1



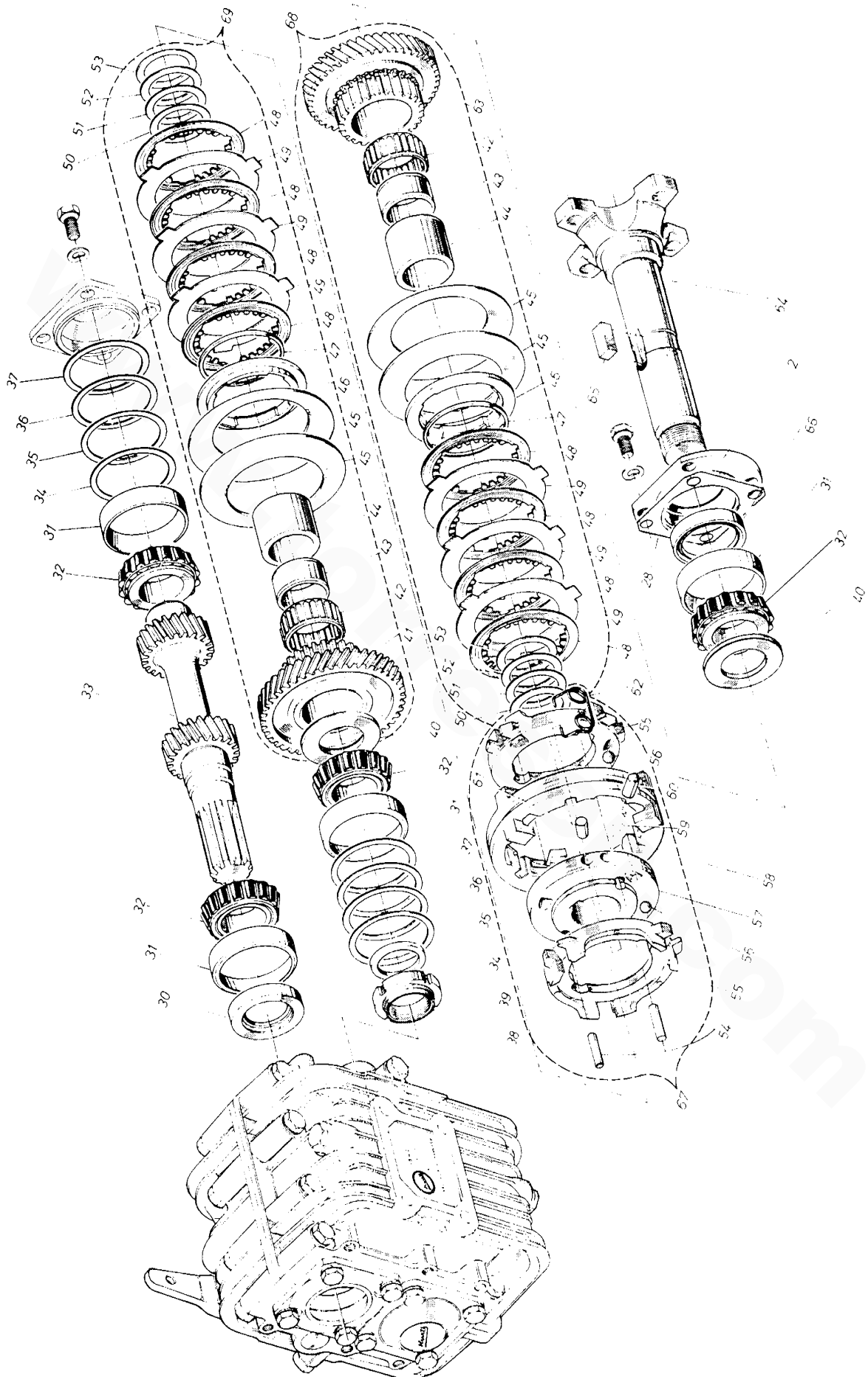
Drawing No. 15245

REF	PN	NAME	REMARKS	QUAN
23- 1	13320	BLOCK	TERMINAL-4 POLE	1
23- 2	13856	PLATE	SCREW	2
24- 1	13319	BLOCK	TERMINAL-10 POLE	1
24- 2	13855	PLATE	SCREW	2
25	19209	CABLE	INSTRUMENT PANEL FROM ENGINE	1
26	19208	HARNESS	ENGINE PREWIRING	1
27	13834	CABLE	KEYSWITCH TO TERMINAL BLOCK	1
28	12959	KIT	ALTERNATOR MOD FOR ELEC TACHOMETEP	1
29	12885	PANEL	INSTRUMENT-LESS INSTRUMENTS	1
30	13515	NAMEPLATE	KEYSWITCH PANEL	1
31	11675	CABLE	ALTERNATOR TO REGULATOR-55A	1
32	11532	KIT	SUPPRESSION-ALTERNATOR	1
33	11432	LAMP	METERS AND GAUGES	AR
34	13710	RESISTOR	GLOWPLUGS-FOUR 60 ONLY	1
35- 1	12317	PANEL	ELECTRIC-NOT WIRED	1
35- 2	13353	PANEL	ELECTRIC-WIRED	1
35- 3	11693	PANEL	SKIPPER	1
36- 1	12060	BRACKET	55A ALT MOUNTING-FOUR 107	1
36- 2	13701	BRACKET	55A ALT MOUNTING-FOUR 60	1
36- 3	13852	BRACKET	55A ALT MOUNTING-FOUR 91	1
36- 4	16636	BRACKET	55A ALT MOUNTING-FOUR 154	1
36- 5	16744	BRACKET	55A ALT MOUNTING-FOUR 230 & SIX 346	1
37- 1	12270	BELT	55A ALT DRIVING-FOUR 107	1
37- 2	13859	BELT	55A ALT DRIVING-FOUR 60	1
37- 3	15147	BELT	55A ALT DRIVING-FOUR 91	1
37- 4	16654	BELT	55A ALT DRIVING-FOUR 154	1
37- 5	11195	BELT	55A ALT DRIVING-FOUR 230 & SIX 346	1
38- 1	11125	STRAP	ALT ADJUSTING FOUR 107,60,91,154	1
38- 2	13941	STRAP	ALT ADJUSTING FOUR 230 & SIX 346	1
39	16023	ADAPTER	2IN GAUGE TO 2-3/8IN HOLE	3
40- 1	17959	SOLENOID	FOUR 154	1
40- 2	17958	SOLENOID	FOUR 230 & SIX 346	1



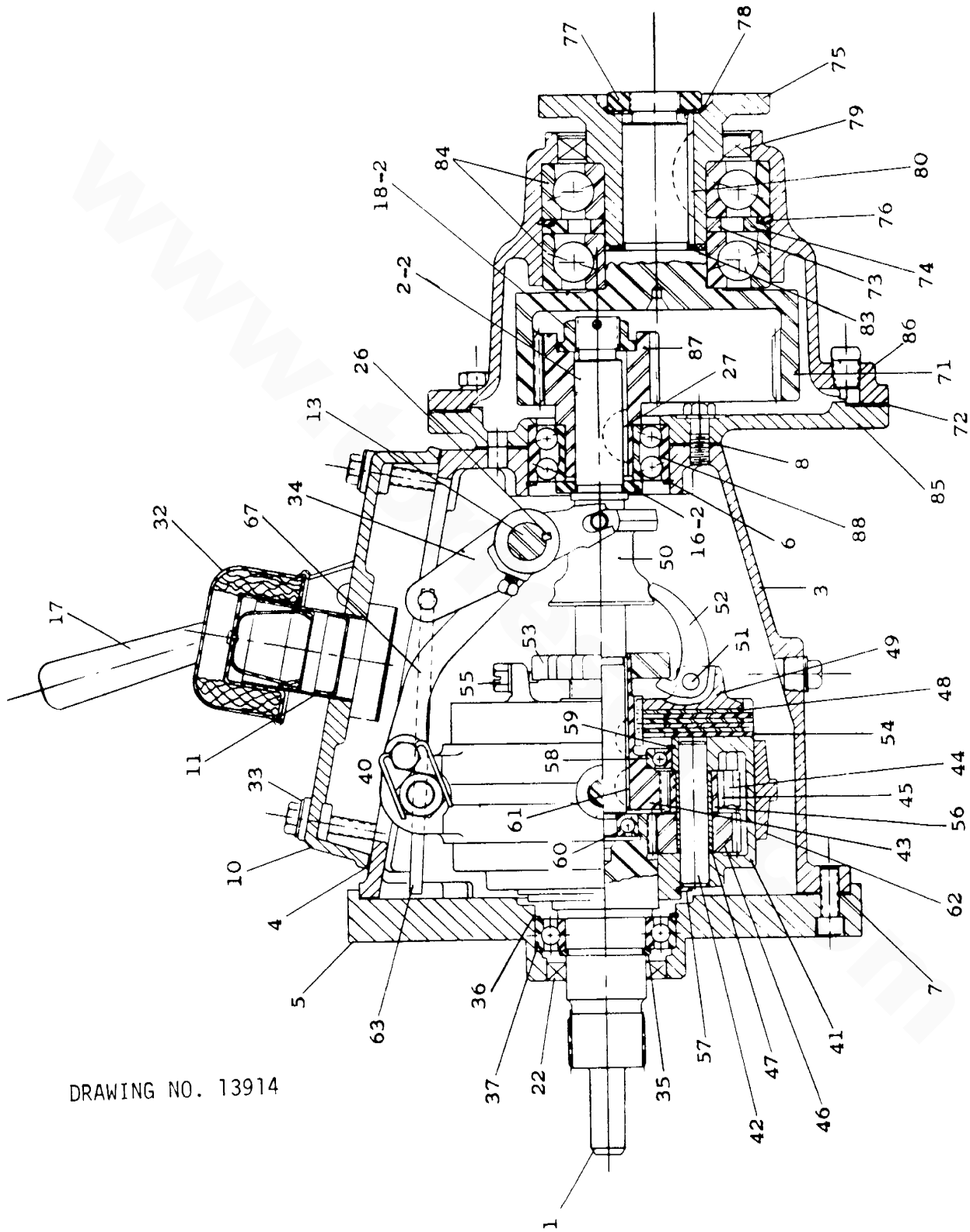


REF	PN	NAME	REMARKS	QUAN
1	22139	HOUSING	ASSEMBLY	1
2	22179	COVER		2
3	22200	COVER		2
4	22209	WASHER	SPRING M8 DIN 137 VCAD	38
5	22208	CAPSCREW	M8X16 DIN 933 VCAD	20
6	22191	LEVER	SHIFTING	1
7	22195	SEAL	RING	1
8- 1	22188	COVER	SHIFTING CONTROL ASSEMBLY-REF 5 THRU 14	1
8- 2	22189	COVER		1
9	22196	SLEEVE	ADJUSTING	1
10	22190	CAM	CONTROL	1
11	22170	SPRING	PRESSURE	1
12	22193	CAPSCREW	M8X20 DIN 933 VCAD	1
13	22192	PIN	STOPPING	1
14	22194	RING	SEMI-CIRCULAR	1
15	22140	FORK	SHIFTING ASSEMBLY	1
16	22141	ROD	SHIFTING	1
17	22147	PLUG		1
18	22210	SEAL	RING	2
19	22197	DIPSTICK	VENT ASSEMBLY	1
20	22205	SCREW	LOCKING	1
21	22211	CAPSCREW	M8X90 DIN 931 VCAD	10
22	22206	NUT	HEX M8 DIN 934 VCAD	8
23	22146	O-RING		1
24	22142	SHAFT	GEAR, INTERMEDIATE	1
25	23486	DISC	STARTING	2
26	22143	GEAR	INTERMEDIATE, TEETH-25	1
27	22145	BEARING	NEEDLE TWIN CAGE	1
28	22187	GASKET		4
29	22207	GASKET		1
30	22199	SEAL	RING	1
31	22186	BEARING	TAPER, ROLLER ASRG	4
32	22150	BEARING	TAPER, ROLLER INTL	4
33	22149	SHAFT	INPUT, TEETH-22/22	1
34	22201	WASHER	0.1 MM	2
35	22202	WASHER	0.2 MM	2
36	22203	WASHER	0.5 MM	2
37	22204	WASHER	1.0 MM	2
38	23508	NUT	GROOVED	1
39	22185	DISC	FITTING	1
40	22181	DISC		2
41	22167	GEAR	TEETH-47	1
42	22165	BEARING	NEEDLE CAGE	2
43	22156	RING	NEEDLE BEARING	2
44	22157	SPACER		2
45	22154	SPRING	CUP	4
46	22155	DISC	PRESSURE	2
47	22164	RING	SNAP	2
48	22162	SHEET	STRIP, LAMINARY, INNER	6
49	22163	SHEET	STRIP, LAMINARY, OUTER	6



REF	PN	NAME	REMARKS	QUAN
50	22158	WASHER	0.4 MM	2
51	22159	WASHER	0.5 MM	2
52	22160	WASHER	0.6 MM	2
53	22161	WASHER	0.7 MM	2
54	22172	PIN		2
55	22177	CARRIER	STRIP SHEET	2
56	22169	BALL		6
57	22174	SOCKET	GUIDE	1
58	22176	SOCKET	CONTROL	1
59	22170	SPRING	PRESSURE	3
60	22171	PIN	STOPPING	3
61	22173	PIN	DRIVING	3
62	22175	SPRING	TORSION	3
63	22153	GEAR	TEETH-43	1
64	22182	SHAFT	OUTPUT	1
65	22183	KEY	FITTING	1
66	22180	SEAL	RING	1
67	22168	SHIFTING	ASSEMBLY-REF 54 THRU 62	1
68	22152	GEAR	ASSEMBLY-43 TEETH	1
69	22166	GEAR	ASSEMBLY-47 TEETH	1
70	22151	SHAFT	OUTPUT-COMPLETE ASSEMBLY	1
80	18360	GEAR	COMPLETE TRANSMISSION 2 TO 1	1
90- 1	23679	COUPLING	BORED 3/4	1
90- 2	23680	COUPLING	BORED 7/8	1
90- 3	23681	COUPLING	BORED 1	1
90- 4	23682	COUPLING	BORED 1-1/8	1
90- 5	23683	COUPLING	BORED 1-1/4	1
90- 6	23684	COUPLING	BORED 1-3/8	1
90- 7	23685	COUPLING	BORED 1-1/2	1
91- 1	23450	SCREW	COUPLING-23679, 23680 & 23685	2
91- 2	23652	SCREW	COUPLING-23681 & 23682	2
91- 3	23651	SCREW	COUPLING-23683 & 23684	2
95- 1	23449	KIT	SHIFTING BRACKET	1
95- 2	22322	BRACKET		1
95- 3	13325	CLAMP		1
95- 4	13870	SHIM		1
95- 5	19364	BALL JOINT		1
95- 6	13630	CAPSCREW	M8 X 25	2

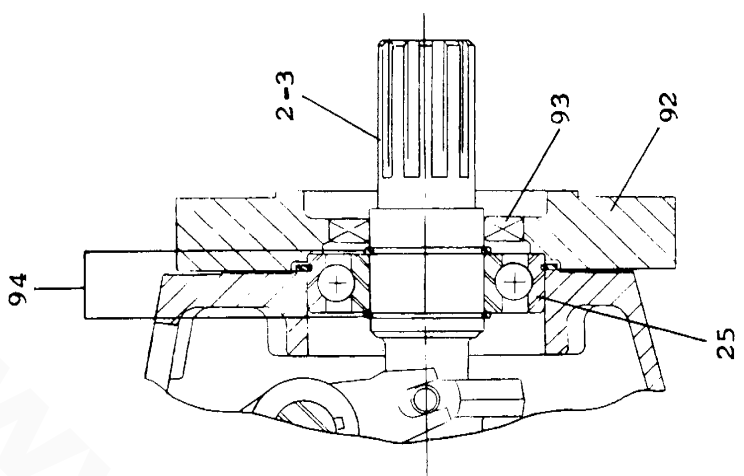
WESTERBEKE 30 TYPE SAO MANUAL TRANSMISSION



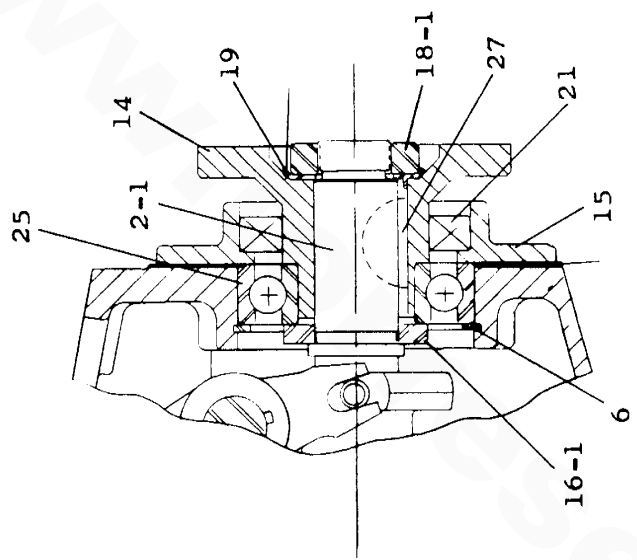
DRAWING NO. 13914

REF	PN	NAME	REMARKS	QUAN
1	14894	GEAR	ENGINE	1
2- 1	14857	TAILSHAFT	REVERSE GEAR	1
2- 2	14858	TAILSHAFT	REVERSE GEAR	1
2- 3	14899	TAILSHAFT		1
3	14891	HOUSING	REVERSE GEAR	1
4	14868	GASKET	HAND HOLE COVER	1
5	14892	PLATE	FRONT END	1
6	14373	RING	RETAINING-REVERSE GEAR HOUSING	1
7	14893	GASKET	REVERSE GEAR HOUSING-FRONT	1
8	14876	GASKET	REAR-REVERSE GEAR HOUSING	1
9	14895	DIPSTICK	ASSEMBLY	1
10	14867	COVER	HAND HOLE	1
11	14883	TUBE	FILLER	1
12	14879	PIN	BRAKE BAND LOCK	1
13	14861	SHAFT	CROSS	1
14	14863	COUPLING	GEAR HALF	1
15	14864	RETAINER	OIL SEAL	1
16- 1	14865	WASHER	THRUST REVERSE GEAR TAILSHAFT	1
16- 2	14866	WASHER	THRUST REVERSE GEAR TAILSHAFT	1
17	14852	LEVER		1
18- 1	14377	NUT	REVERSE GEAR TAILSHAFT	1
18- 2	14323	NUT	REVERSE GEAR TAILSHAFT	1
19	14875	LOCKWASHER	REVERSE GEAR TAILSHAFT	1
20	14884	SEAL	OIL-CROSS SHAFT	1
21	14885	RETAINER	OIL SEAL	1
22	14896	SEAL	FRONT PLATE	1
23	14886	O-RING		1
24	14887	PIN	ROLL	1
25	14882	BEARING	BALL-REVERSE GEAR HOUSING-REAR	1
26	14316	KEY	WOODRUFF-CROSS SHAFT	1
27	14848	KEY	WOODRUFF-REVERSE GEAR TAILSHAFT	1
32	14880	BREATHER		1
33	14888	SEAL	COVER	1
34	14862	YOKE	ASSEMBLY	1
35	14903	RING	RETAINING-ENGINE GEAR	1
36	14897	RING	RETAINER-FRONT PLATE	1
37	14898	BEARING	BALL-ENGINE GEAR	1
38	14889	TUBE	DIPSTICK	1
40	14890	BAFFLE	COVER	1
41	14834	CASE	GEAR	1
42	14842	SHAFT	PINION	1
43	14836	GEAR	PROPELLER	1
44	14837	PINION	ASSEMBLY-LONG	1
45	14840	BUSHING	PINION	1
46	14838	PINION	ASSEMBLY-SHORT	1
47	14841	BUSHING	PINION	1
48	14845	PLATE	STEEL-CLUTCH	1
49	14846	PLATE	PRESSURE	1
50	14847	SLEEVE	OPERATING	1
51	14849	PIN	FINGER	1
52	14851	FINGER		1
53	14854	SCREW	COLLAR	1
54	14855	PLATE	BRONZE-CLUTCH	1
55	14859	LOCKSCREW	PRESSURE PLATE	1

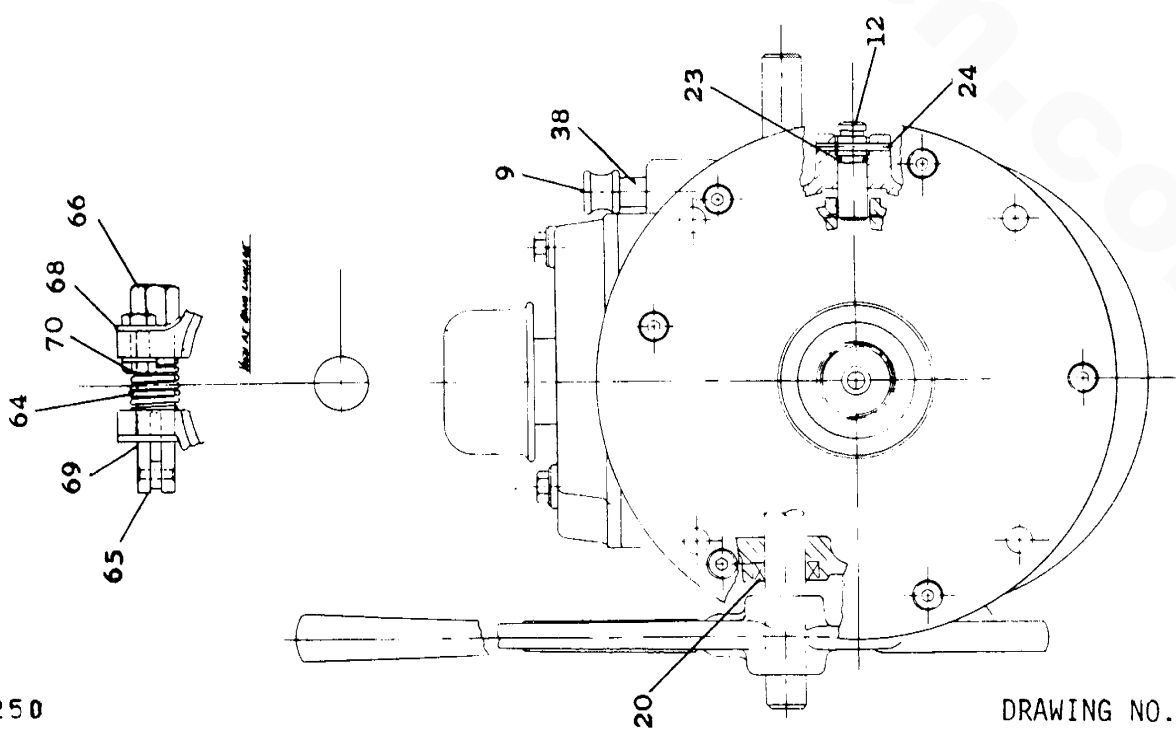
WESTERBEKE 30 - TYPE SAO MANUAL TRANSMISSION



*DIRECT DRIVE FOR WALTER'S "V" DRIVE*



*DIRECT DRIVE SAOD*

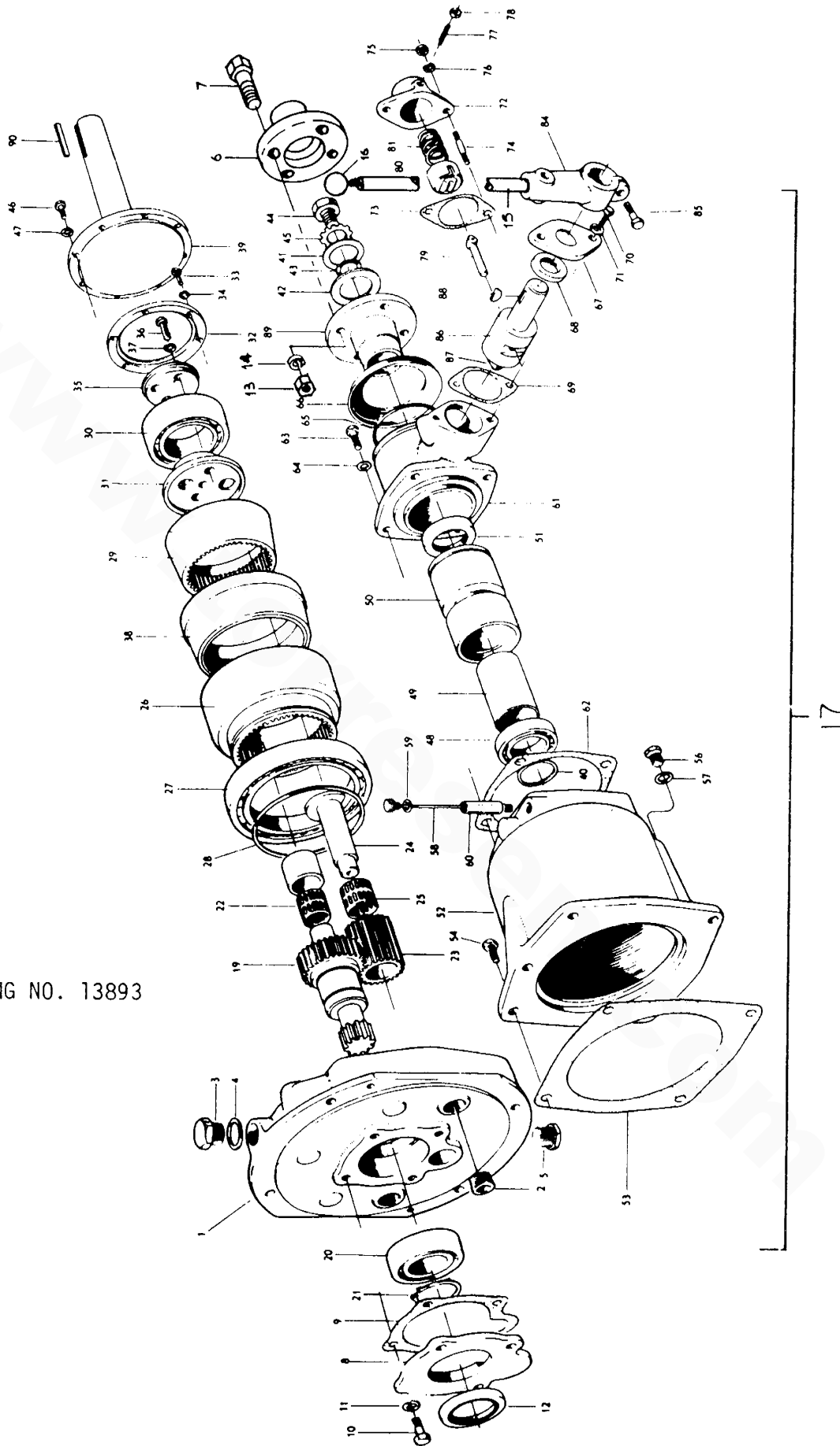


REF	PN	NAME	REMARKS	QUAN
56	14871	SPACER	SHORT PINION	1
57	14874	RING	RETAINING-PINION SHAFT GEAR CASE	1
58	14877	BEARING	BALL-GEAR CASE	1
59	14373	RING	RETAINING-GEAR CASE BALL BEARING	1
60	14881	BEARING	BALL-PILOT	1
61	14844	KEY	WOODRUFF-REVERSE GEAR-TAILSHAFT	1
62	14850	BAND	BRAKE	1
63	14860	SLIDE	REVERSE CAM	1
64	14870	SPRING		1
65	14853	CAM	REVERSE	1
66	14856	NUT		1
67	14869	BRACE		1
68	14872	LOCKSPRING		1
69	14878	PIN		1
70	14873	NUT		1
71	14299	GEAR	INTERNAL	1
72	14321	GASKET		1
73	14333	SPACER		1
74	14337	SPACER		1
75	14357	COUPLING		1
76	14375	SNAPRING		1
77	14378	NUT		1
78	14379	LOCKWASHER		1
79	14390	SEAL	OIL	1
80	14352	KEY		1
83	14334	SEAL	WASHER	1
84	14396	BEARING	BALL	2
85	14835	PLATE	REDUCTION ADAPTER	1
86- 1	14309	HOUSING	REDUCTION GEAR	1
86- 2	14904	REDUCTION	COMPLETE UNIT-2	1
87	14839	GEAR	REDUCTION DRIVING	1
88	14843	BEARING	BALL-REDUCTION ADAPTER PLATE	1
92	14900	PLATE	ADAPTER	1
93	14901	SEAL	OIL	1
94	14902	RINGS	RETAINING-TAILSHAFT	2
95- 1	12293	GEAR	COMPLETE TRANSMISSION 1 TO 1	1
95- 2	20441	GEAR	COMPLETE TRANSMISSION 1.5 TO 1	1
95- 3	12294	GEAR	COMPLETE TRANSMISSION 2 TO 1	1
95- 4	16246	GEAR	COMPLETE TRANSMISSION 2 TO 1 DROP	1
95- 5	20518	GEAR	COMPLETE TRANSMISSION 2.5 TO 1	1
95- 6	13976	GEAR	COMPLETE TRANSMISSION TO ACCEPT V-DRIVE	1
96- 1	23654	COUPLING	TRX 12293 BORED 3/4	1
96- 2	23655	COUPLING	TRX 12293 BORED 7/8	1
96- 3	23656	COUPLING	TRX 12293 BORED 1	1
96- 4	23657	COUPLING	TRX 12293 BORED 1-1/8	1
96- 5	23660	COUPLING	REDUCTION TRX BORED 3/4	1
96- 6	23661	COUPLING	REDUCTION TRX BORED 7/8	1
96- 7	23662	COUPLING	REDUCTION TRX BORED 1	1
96- 8	23663	COUPLING	REDUCTION TRX BORED 1-1/8	1
96- 9	23664	COUPLING	REDUCTION TRX BORED 1-1/4	1
96-10	23665	COUPLING	REDUCTION TRX BORED 1-3/8	1
97- 1	23450	SCREW	COUPLING 23660 THRU 23665	2
97- 2	22326	SCREW	COUPLING 23654 THRU 23657 3/8UNC	1

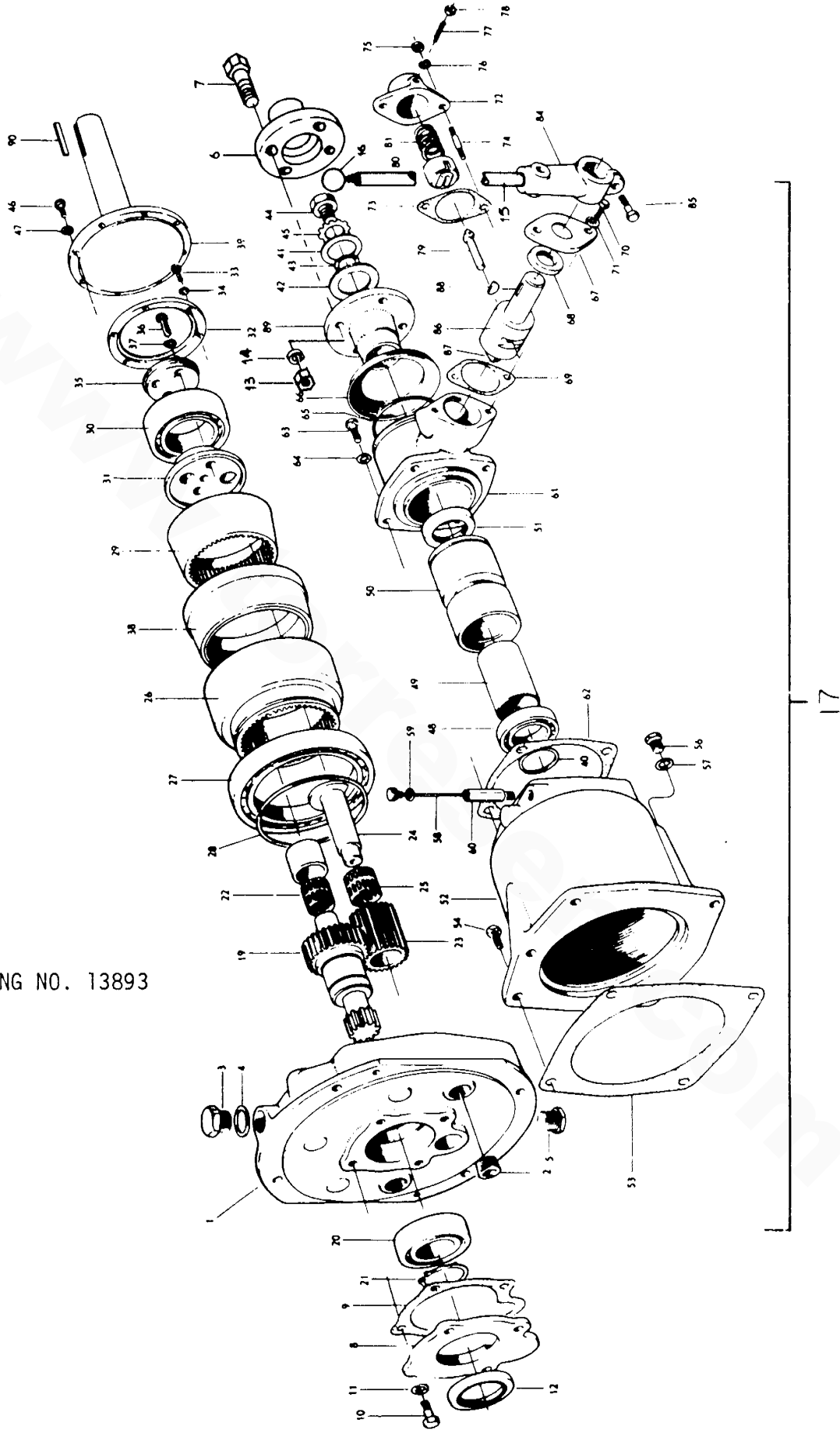
NOTE-SOME COUPLINGS USE 3/8UNF SCREWS



DRAWING NO. 13893

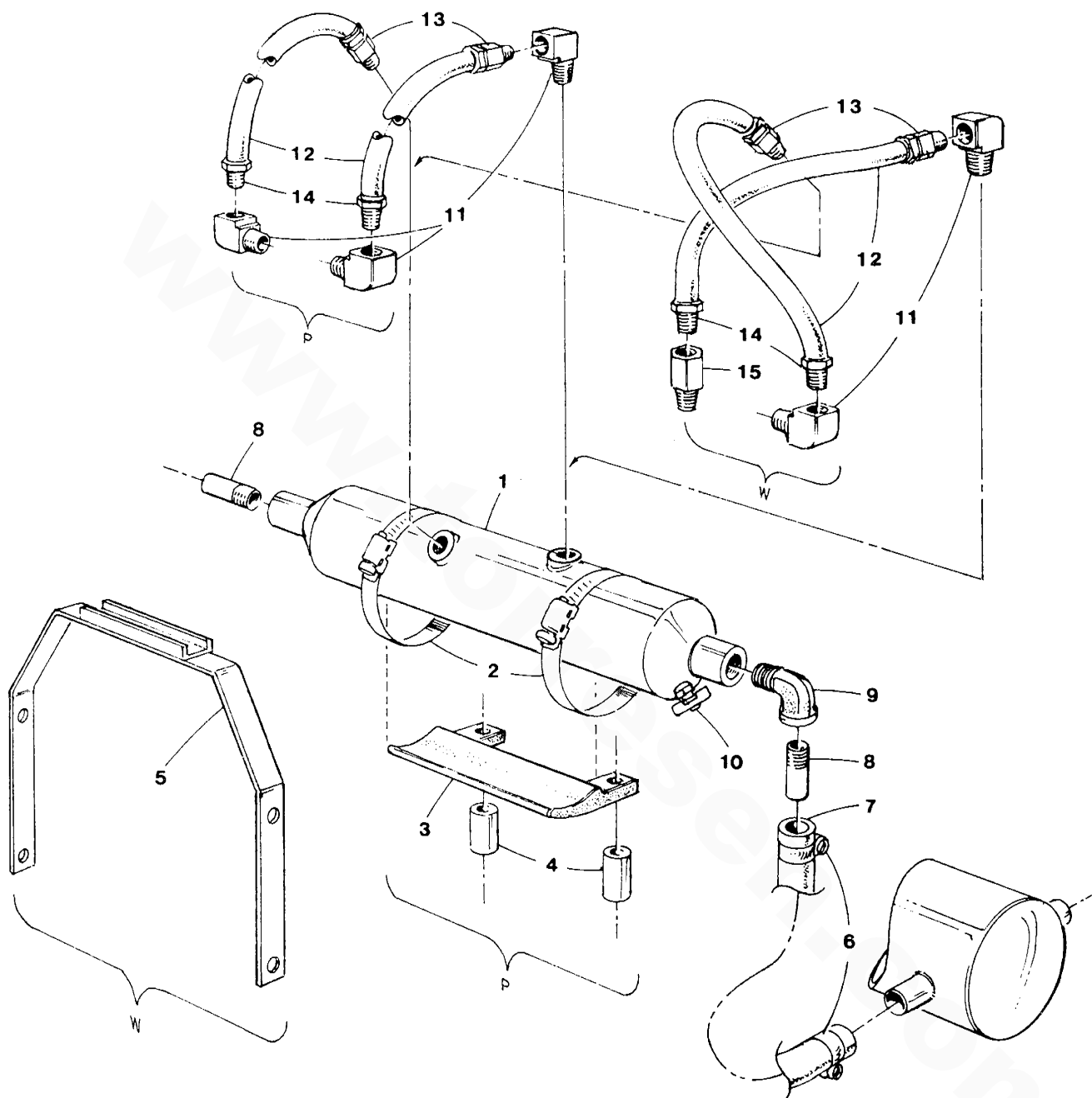


REF	PN	NAME	REMARKS	QUAN
1	14212	ADAPTER		1
2	14211	PLUG		2
3	14172	PLUG		1
4	14205	GASKET		1
5	14170	PLUG		1
6- 1	11645	COUPLING	BORED 1	1
6- 2	13974	COUPLING	OTHER THAN 1 BORE-SPECIFY	1
7	14228	BOLT		4
8	14177	COVER		1
9	14178	GASKET		1
10	14224	BOLT		4
12	14202	SEAL		1
13	14232	NUT		4
15	11643	LEVER		1
16	11644	KNOB		1
17	11642	GEAR	COMPLETE	1
19	14209	GEAR		1
20	14165	BEARING		1
21	14216	LOCK		1
22	14204	BEARING		1
26	14206	GEAR		1
27	14168	BEARING		1
28	14217	LOCK		1
29	14181	GEAR		1
30	14166	BEARING		1
31	14179	SUPPORT		1
32	14199	LOCK		1
33	14221	BOLT		6
35	14180	WASHER		1
36	14229	BOLT		4
38	14197	CONE		1
39	14187	SHAFT		1
40	14163	SHIM		1
41	14208	WASHER		1
42	14169	WASHER		1
43	14167	O-RING		1
44	14207	BOLT		1
45	14160	WASHER		1
46	14223	BOLT		6
48	14162	BEARING		1
49	14184	SPACER		1
50	14182	SLEEVE		1
51	14201	SEAL		1
52	14175	HOUSING		1
53	14173	GASKET		1
54	14226	BOLT		4
56	14159	PLUG		1
57	14157	WASHER		1
58	14203	DIPSTICK		1



DRAWING NO. 13893

REF	PN	NAME	REMARKS	QUAN
59	14158	GASKET		1
60	14194	NIPPLE		1
61	14176	HOUSING		1
62	14174	GASKET		1
63	14226	BOLT		4
65	14220	O-RING		1
66	14195	COVER		1
67	14196	FLANGE		1
68	14200	SEAL		1
69	14197	GASKET		1
70	14222	BOLT		2
72	14190	HOUSING		1
73	14197	GASKET		1
74	14219	BOLT		2
75	14230	NUT		2
77	14218	BOLT		1
78	14230	NUT		1
79	14188	PIN		1
80	14189	SLEEVE		1
81	14191	SPRING		1
84	14171	ARM		1
85	14224	BOLT		1
86	14186	SHAFT		1
87	14187	PIN		1
88	14215	KEY		1
89	14185	COUPLING		1
90	14214	KEY		1



REF	PN	NAME	REMARKS	QUAN
1	11657	COOLER	OIL	1
2	11411	CLAMP	HOSE-MOUNT COOLER TO BRACKET	2
3	11017	BRACKET	OIL COOLER MOUNT ON PARAGON HYDRAULIC	1
4	13621	SPACER	OIL COOLER MOUNT ON PARAGON HYDRAULIC	2
5	13057	BRACKET	OIL COOLER MOUNT ON WARNER HYDRAULIC	1
5	11341	CLAMP	HOSE	2
7	19059	HOSE	INCHES REQUIRED	16
8	19065	NIPPLE	HOSE	2
9	24693	ELBOW		1
10	11471	PETCOCK		1
11- 1	13330	ADAPTER	ELBOW-WARNER HYDRAULIC	2
11- 2	13330	ADAPTER	ELBOW-PARAGON HYDRAULIC	3
12	11775	HOSE	INCHES REQUIRED	AR
13	11776	CONNECTOR	HOSE-SWIVEL	2
14	11777	CONNECTOR	HOSE	2
15	13348	ADAPTER	WARNER HYDRAULIC	1

REF	PN	NAME	REMARKS	QUAN
1- 1	13932	KIT A	SPARE PARTS	1
1- 2	13933	KIT B	SPARE PARTS-EXTENDED CRUISING	1
2- 1	13959	GASKET	SET-COMPLFTE	1
2- 2	14520	GASKET	SET-UPPER	1
2- 3	14517	GASKET	SET-LOWER	1
3	11542	PUMP	HAND-TO PUMP LUBE OIL FROM SUMP	1
4- 1	24993	FILTER	PRIMARY FUEL	1
4- 2	22266	SEPARATOR	WATER-FUEL	1
5	13174	MUFFLER	HYDRO-HUSH WATER LIFT	1
6	15010	STRAINER	SEA WATER	1
7	16538	TANK	REMOTE FRESH WATER SURGE	1
8- 1	17232	KIT	MORSE CABLE CONNECTING-PARAGON HYDRAULIC	1
8- 2	17252	KIT	MORSE CABLE CONNECTING-WARNER HYDRAULIC	1
9	17290	PULLEY	ACCESSORY CRANKSHAFT 2 GROOVE 5.5IN	1
10	20654	SPLITTER	ALTERNATOR OUTPUT TO 2 BATTERIES	1
11- 1	23309	SWITCH	NEUTRAL SAFETY-PARAGON HYDRAULIC	1
11- 2	23433	SWITCH	NEUTRAL SAFETY-WARNER HYDRAULIC	1
12	13758	PAINT	RED-AEROSOL SPRAY CAN	1
13	12167	LINE	FLEXIBLE EXHAUST 1-1/2 X 12	1
14	15985	ELBOW	WATER INJECTED EXHAUST-90 DEGREE	1

[www.torresen.com](http://www.torresen.com)