

PARTS LIST

WESTERBEKE 58
Marine Diesel Engine

WESTERBEKE 20 KW
Marine Diesel Generator

Publication # 24577

Edition Two

May 1982



PARTS LIST

WESTERBEKE 58
Marine Diesel Engine

WESTERBEKE 20 KW
Marine Diesel Generator

Publication # 24577

Edition Two

May 1982



IMPORTANT

PRODUCT SOFTWARE NOTICE

Product software of all kinds, such as brochures, drawings, technical data, operator's and workshop manuals, parts lists and parts price lists, and other information, instructions and specifications provided from sources other than Westerbeke, is not within Westerbeke's control and, accordingly, is provided to Westerbeke customers only as a courtesy and service. WESTERBEKE CANNOT BE RESPONSIBLE FOR THE CONTENT OF SUCH SOFTWARE, MAKES NO WARRANTIES OR REPRESENTATIONS WITH RESPECT THERETO, INCLUDING THE ACCURACY, TIMELINESS OR COMPLETENESS THEREOF, AND WILL IN NO EVENT BE LIABLE FOR ANY TYPE OF DAMAGES OR INJURY INCURRED IN CONNECTION WITH, OR ARISING OUT OF, THE FURNISHING OR USE OF SUCH SOFTWARE.

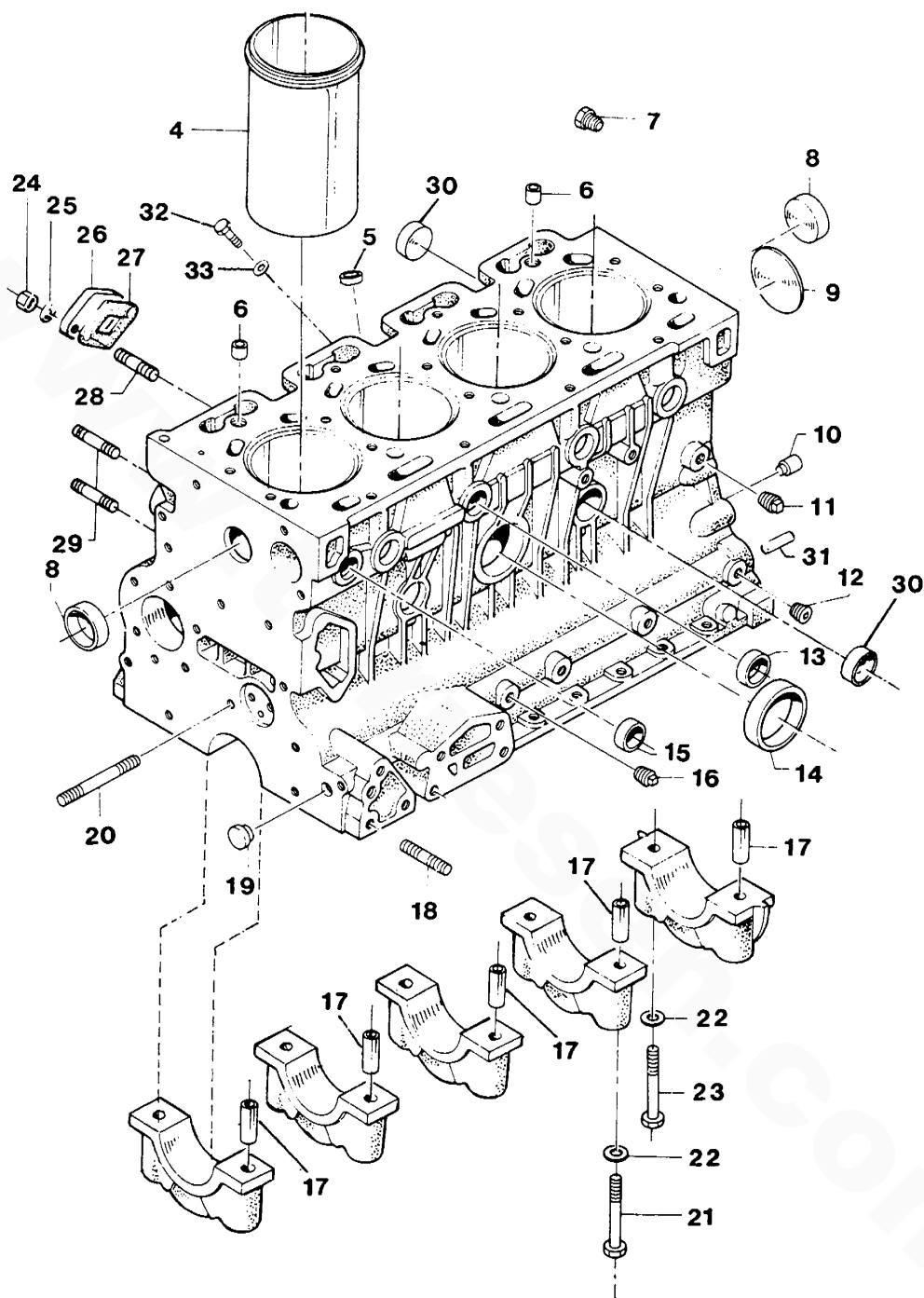
For example, components and sub-assemblies incorporated in Westerbeke's products and supplied by others (such as engine blocks, fuel systems and components, transmissions, electrical components, pumps and other products) are generally supported by their manufacturers with their own software, and Westerbeke must depend on such software for the design of Westerbeke's own product software. Such software may be outdated and no longer accurate. Routine changes made by Westerbeke's suppliers, of which Westerbeke rarely has notice in advance, are frequently not reflected in the supplier's software until after such changes take place.

Westerbeke customers should also keep in mind the time span between printings of Westerbeke product software, and the unavoidable existence of earlier, non-current Westerbeke software editions in the field. Additionally, most Westerbeke products include customer-requested special features that frequently do not include complete documentation.

In sum, product software provided with Westerbeke products, whether from Westerbeke or other suppliers, must not and cannot be relied upon exclusively as the definitive authority on the respective product. It not only makes good sense, but is imperative that appropriate representatives of Westerbeke or the supplier in question be consulted to determine the accuracy and currency of the product software being consulted by the customer.

TABLE OF CONTENTS

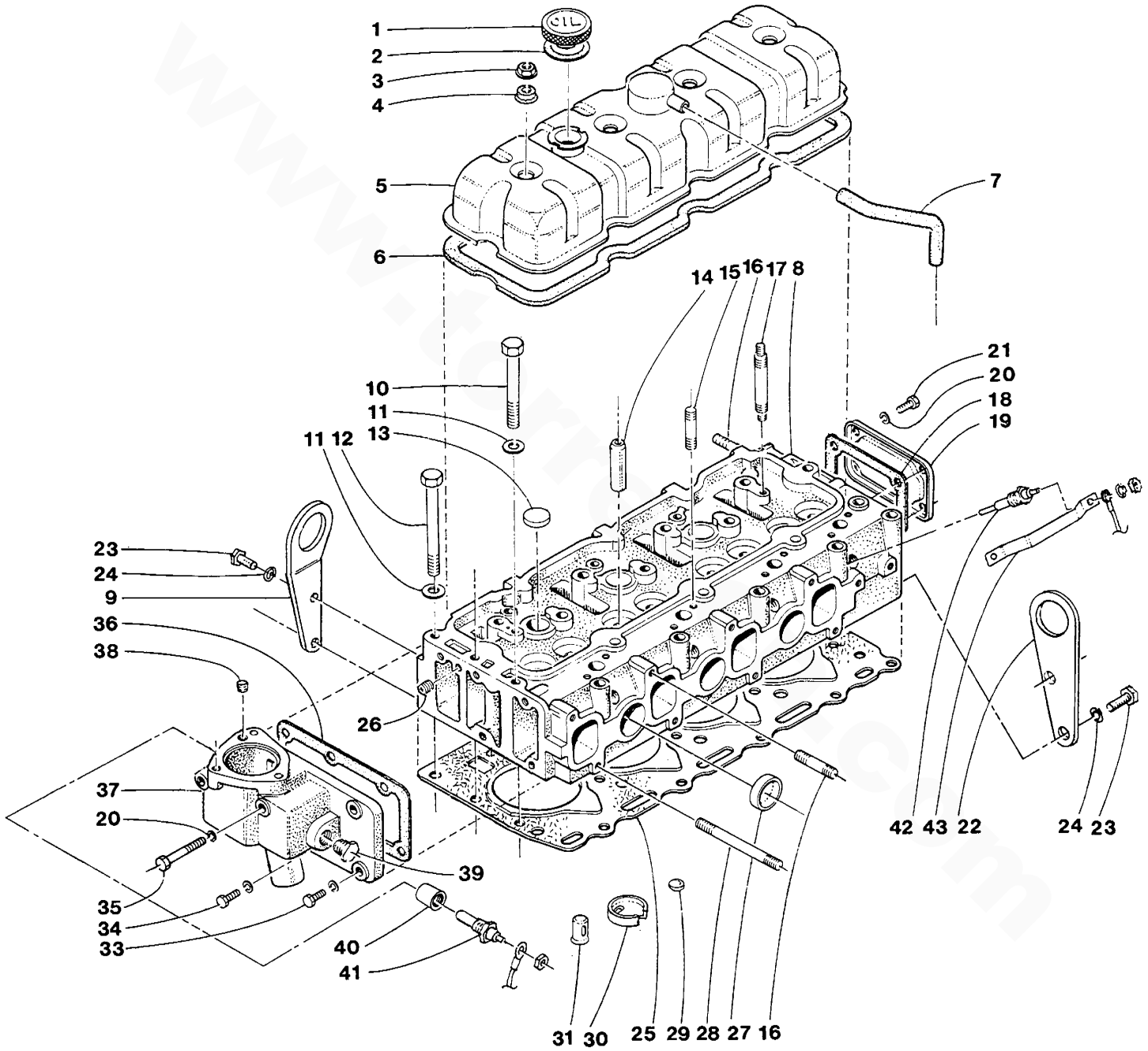
200	Cylinder Block
202	Cylinder Head
204	Crankshaft - Piston
206	Valves - Camshaft - Rocker Shaft
208	Timing Gear Cover - Alternator Mount
210	Intake Manifold
212	Sump
214	Lube Oil Pump
216	Extruded Exhaust Manifold
220	Flowcontroller
222	Fresh Water Cooling - From March 1981
224	Fresh Water Cooling - To March 1981
226	Cooling - Heat Exchanger - Oil Cooler - Oil Filter
228	Cooling - Raw Water
230	Cooling - Hydraulic Transmission Oil Cooler
232	Sea Water Pump
234	Fresh Water Pump
236	Fuel System
240	Primary Fuel Filter
242	Photograph of Engine
242	Mounts - Front
244	Back End - Common Marine
248	Electrical System - Marine
250	Marine Instrument Panel
252	Electrical System - Generator
254	Generator Control Panel
256	Transmission - Coupling
258	HBW Shift Connection
260	Generator and Back End
264	YD Generator Back End
266	YD Generator
268	Miscellaneous



WESTERBEKE 58 - CYLINDER BLOCK

REF	PN	NAME	REMARKS	QUAN
1	24050	BLOCK	ASSEMBLY	1
2	24543	ELOCK	SHORT	1
3	24566	BLOCK	CYLINDER WITH LINERS & PLUGS	1
4	24483	LINER	CYLINDER	4
5	24380	PLUG	OIL PUMP	1
6	24383	PIN	ROLL-LOCATE HEAD GASKET	2
7	24601	PLUG	1/4 NPT SOCKET	1
8	24374	PLUG	EXPANSION	2
9	24379	PLUG	CAMSHAFT	1
10	19039	COWEL	BLOCK TO BACKPLATE	2
11- 1	11724	PLUG	SQUARE HEAD 1/4 NPT	1
11- 2	13970	PETCOCK	BLOCK WATER DRAIN	1
12	24523	PLUG	1/8 NPT	4
13	24373	PLUG	EXPANSION	4
14	24378	PLUG	EXPANSION	1
15	24369	PLUG	EXPANSION	1
16	19957	PLUG	SQUARE HEAD 1/8 NPT	1
17	24383	PIN	ROLL	10
18- 1		STUD	FRONT MOUNTS 7/16NF X 1-5/8	5
18- 2	31682	CAPSCREW	RIGHT FRONT MOUNT 7/16NF X 1-1/2	1
19	24364	PLUG		1
20	24385	STUD	IDLER GEAR	2
21	24386	BOLT	MAIN BEARING CAP	8
22	17849	WASHER	FLAT	10
23	24387	BOLT	MAIN BEARING CAP-REAR	2
24	31760	NUT	5/16NF	2
25	31758	LOCKWASHER	5/16	2
26	24382	FLATE	LIFT PUMP DRIVE BLANKING	1
27	24466	GASKET	PLATE TO BLOCK	1
28	12498	STUD	5/16NF X 7/8	2
29		STUD	3/8NF X 1-3/8	2
30	24381	PLUG	EXPANSION	8
31	24393	PLUG	OIL GALLERY-REAR OF BLOCK	1
32	31601	CAPSCREW	3/8NF X 1/2 PLUG OIL GALLERY	1
33	11944	WASHER	BANJO-SEAL GALLERY PLUG	1

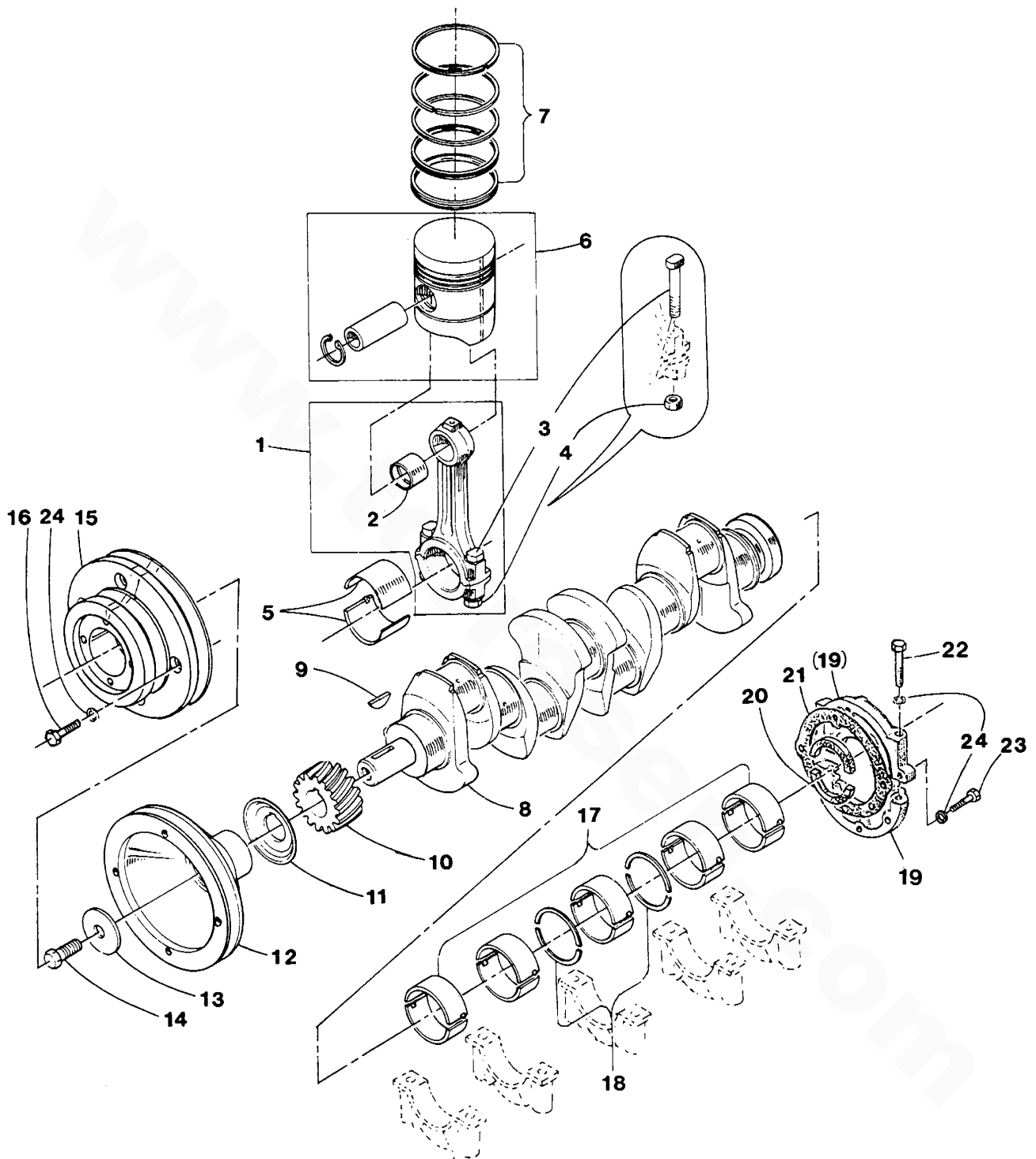
WESTERBEKE 58 - CYLINDER HEAD



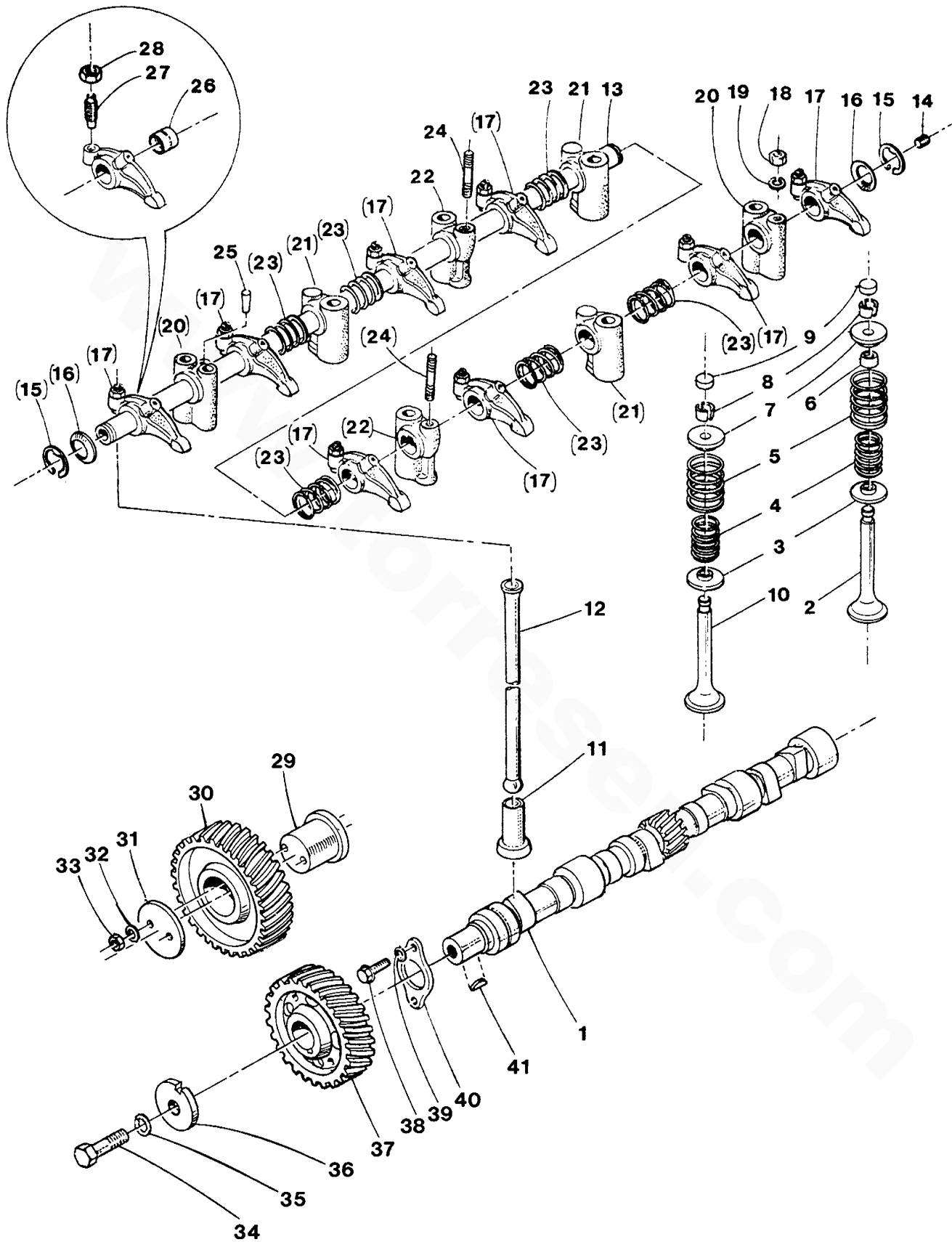
WESTERBEKE 58 - CYLINDER HEAD

REF	PN	NAME	REMARKS	QUAN
1	14709	CAP	OIL FILLER WITH GASKET	1
2	14713	GASKET	OIL FILLER CAP	1
3	24526	NUT	LOCKING-ROCKER COVER	1
4	24342	SEAL	ROCKER COVER STUD	4
5	24522	COVER	ROCKER	4
6	24343	GASKET	ROCKER COVER	1
7	24539	HOSE	BREATHER	1
8	24340	HEAD	CYLINDER	1
9	30131	EYE	LIFTING-FRONT	1
10	24371	BOLT	CYLINDER HEAD 4-1/8 LONG	1
11	17849	WASHER	FLAT-CYLINDER HEAD BOLTS	13
12	24372	BOLT	CYLINDER HEAD 5-7/8 LONG	20
13	24336	PLUG		7
14	24366	GUIDE	VALVE	3
15		STUD	INJECTOR 5/16NF X 1-5/8	8
16		STUD	MANIFOLD 5/16NF X 1-1/4 CAD PLATED	8
17	24367	STUD	HEAD FOR ROCKER COVER	15
18	24377	GASKET	PLATE TO HEAD REAR	2
19	24376	PLATE	CYLINDER HEAD REAR	1
20	31758	LOCKWASHER	5/16	1
21	31578	CAPSCREW	5/16NF X 5/8	AP 4
22 - 1	24582	BRACKET	CIRCUIT BREAKER-SOLENOID-LIFTING EYE	4
22 - 2	24521	EYE	LIFTING-REAR	1
23	31603	CAPSCREW	LIFTING EYES 3/8NF X 3/4	1
24	31764	LOCKWASHER	3/8	4
25	24344	GASKET	CYLINDER HEAD	4
26	24345	PLUG	OIL GALLERY	1
27	24349	PLUG	EXPANSION	1
28		STUD	5/16NF X 3-3/4	7
29	24368	WASHER	WELCH	1
30	24341	INSERT	HEAD	4
31	24370	CAP	WATER JET	4
33	31580	CAPSCREW	5/16NF X 1	4
34		CAPSCREW	5/16NF X 3-3/8	4
35		CAPSCREW	5/16NF X 3-7/8	1
36	24375	GASKET	LOWER THERMOSTAT HOUSING	1
37	24540	HOUSING	LOWER THERMOSTAT	1
38	14433	PLUG	BRASS	1
39 - 1	22205	PLUG	M 16 DIN 910	1
39 - 2	24602	BUSHING	M 16 TO 1/8NPT	1
40	24672	BUSHING	HOUSING TO 1/8NPT FOR SENDER	1
41	23571	SENDER	WATER TEMPERATURE 1/8NPT	1
42	24353	GLOWPLUG		1
43	24354	STRAP	GLOWPLUG CONNECTING	1

WESTERBEKE 58 - CRANKSHAFT - PISTON



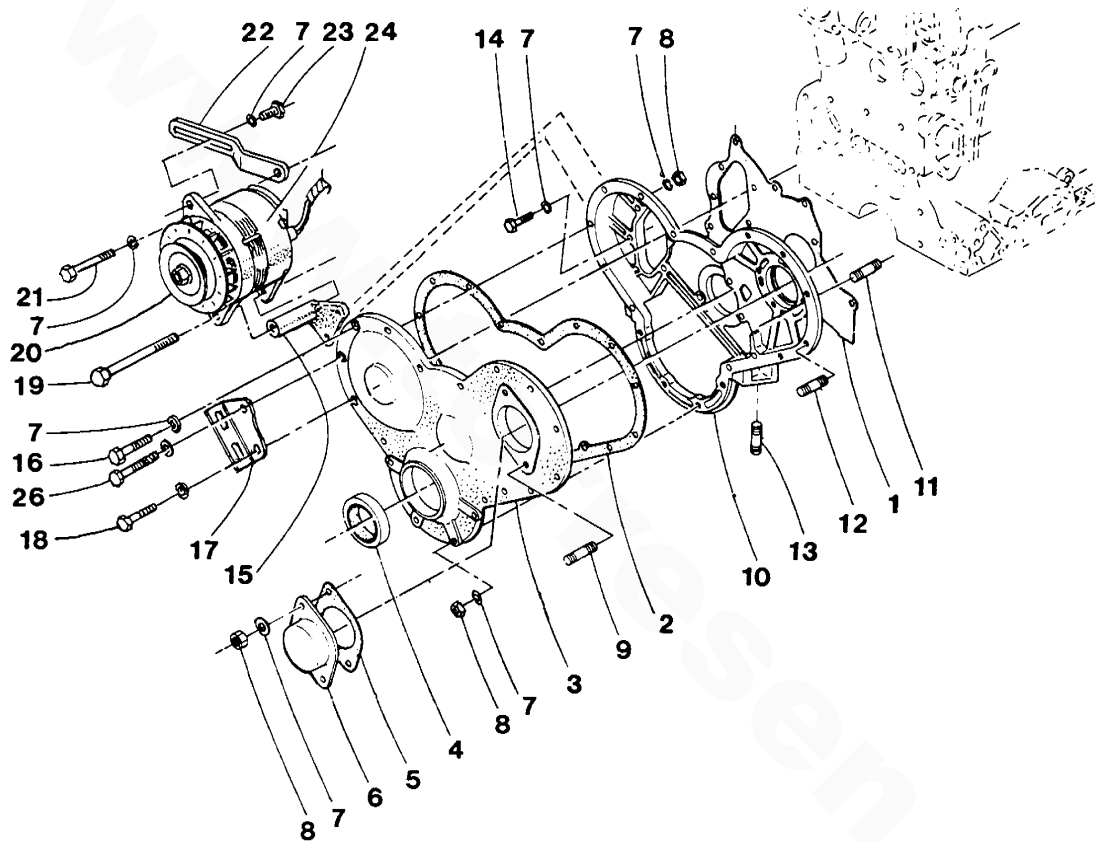
REF	PN	NAME	REMARKS	QUAN
1	24524	ROD	CONNECTING	4
2	24490	BUSHING	CONNECTING ROD	4
3	24401	BOLT	CONNECTING ROD	8
4	24402	NUT	CONNECTING ROD BOLT	8
5- 1	24484	BEARING	SET-CONNECTING ROD-STD	1
5- 2	24485	BEARING	SET-CONNECTING ROD .254MM .010	1
5- 3	24486	BEARING	SET-CONNECTING ROD .508MM .020	1
5- 4	24487	BEARING	SET-CONNECTING ROD .762MM .030	1
6	24355	PISTON	STD	4
7- 1	24356	RING SET	STD	4
7- 2	24357	RING SET	.254MM .010	4
7- 3	24358	RING SET	.508MM .020	4
7- 4	24359	RING SET	.762MM .030	4
8	24403	CRANKSHAFT		1
9	24407	KEY	WOODRUFF	1
10	24405	GEAR	CRANKSHAFT	1
11	24560	SLINGER	CRANKSHAFT-FRONT	1
12	24090	PULLEY	CRANKSHAFT	1
13	12613	BOLT	CRANKSHAFT PULLEY	1
14	24409	WASHER	CRANKSHAFT PULLEY	1
15	24088	PULLEY	DRIVE SEA WATER PUMP	1
16	31581	CAPSCREW	5/16NF X 1.25	4
17- 1	24488	BEARING	SET-MAIN-STD	1
17- 2	24489	BEARING	SET-MAIN .254MM .010	1
17- 3	24490	BEARING	SET-MAIN .508MM .020	1
17- 4	24491	BEARING	SET-MAIN .762MM .030	1
18- 1	24492	WASHER	THRUST-SET-STD	1
18- 2	24493	WASHER	THRUST-SET-US	1
19	24404	FLANGE	OIL SEAL-CRANKSHAFT REAR	1
20	11993	SEAL	OIL-CRANKSHAFT REAR	2
21	12661	GASKET	CRANKSHAFT OIL SEAL FLANGE	1
22	31586	CAPSCREW	5/16NF X 2-1/2	2
23	31581	CAPSCREW	5/16NF X 1-1/4	6
24	31758	LOCKWASHER	5/16	12



WESTERBEKE 58 - VALVES - CAMSHAFT - ROCKER SHAFT

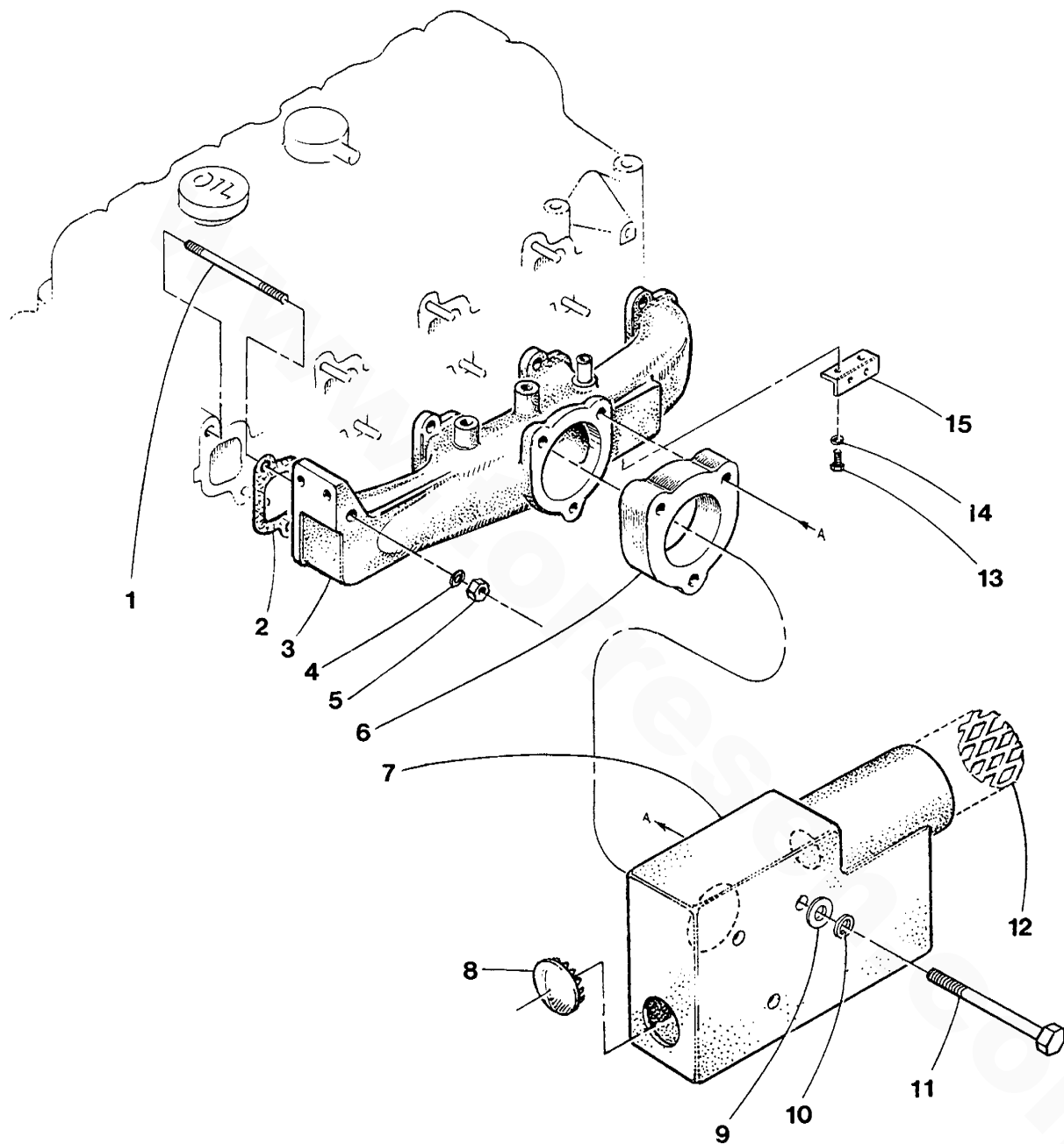
REF	PN	NAME	REMARKS	QUAN
1	24347	CAMSHAFT		1
2	24423	VALVE	INTAKE	4
3	24427	COLLAR	VALVE SPRING-LOWER	8
4	24426	SPRING	VALVE-INNER	8
5	24425	SPRING	VALVE-OUTER	8
6	24428	SEAL	OIL-VALVE STEM	4
7	24424	COLLAR	VALVE SPRING-UPPER	8
8	24429	COTTER	VALVE	16
9	24351	CAP	VALVE STEM	8
10	24346	VALVE	EXHAUST	4
11	24348	TAPPET		8
12	24440	PUSHROD		8
13	24433	SHAFT	ROCKER INCLUDES 2 PLUGS	1
14	12446	PLUG	ROCKER SHAFT END	2
15		CIRCLIP		2
16	24437	WASHER	ROCKER SHAFT	2
17	24430	ROCKER	ARM-INCLUDES BUSHING,SCREW,LOCKNUT	8
18		NUT	3/8NF SELF-LOCKING	2
19	31764	LOCKWASHER	3/8	2
20	24434	BRACKET	ROCKER SHAFT	2
21	24435	BRACKET	ROCKER SHAFT	3
22	24438	BRACKET	ROCKER SHAFT	2
23	24436	SPRING	ROCKER SHAFT	6
24	12501	STUD	5/16NF X 1-7/8	2
25		PIN	TAPER	1
26	24431	BUSHING	ROCKER ARM	8
27	24432	SCREW	TAPPET ADJUSTING	8
28	12433	NUT	5/16NF JAM SELF-LOCKING	8
29	24442	HUB	IDLER GEAR	1
30	24441	GEAR	IDLER	1
31	24443	PLATE	IDLER GEAR	1
32	31758	LOCKWASHER	5/16	2
33		NUT	5/16NF SELF-LOCKING	2
34	24384	CAPSCREW	CAMSHAFT GEAR	1
35	17849	WASHER		1
36	24525	PLATE	LOCK CAMSHAFT GEAR	1
37	24444	GEAR	CAMSHAFT	1
38	31577	CAPSCREW	5/16NF X 5/8	2
39	31758	LOCKWASHER	5/16	2
40	24446	PLATE	CAMSHAFT RETAINING	1
41	24445	KEY	WOODRUFF	1

WESTERBEKE 58 - TIMING GEAR COVER

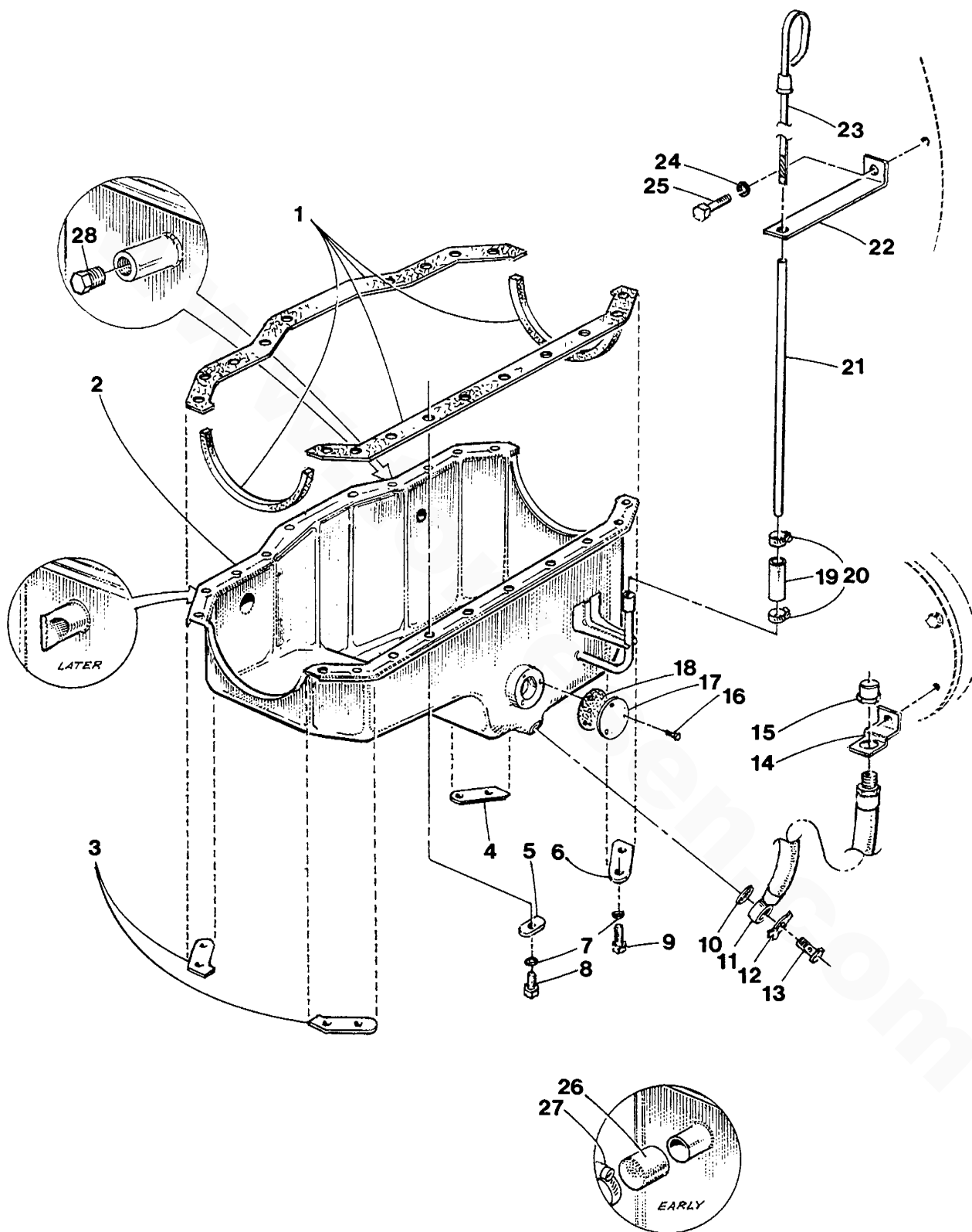


Engine parts from Torrsen Marine - www.torresen.com - 231-759-8596
 WESTERBEKE 58 - TIMING GEAR COVER

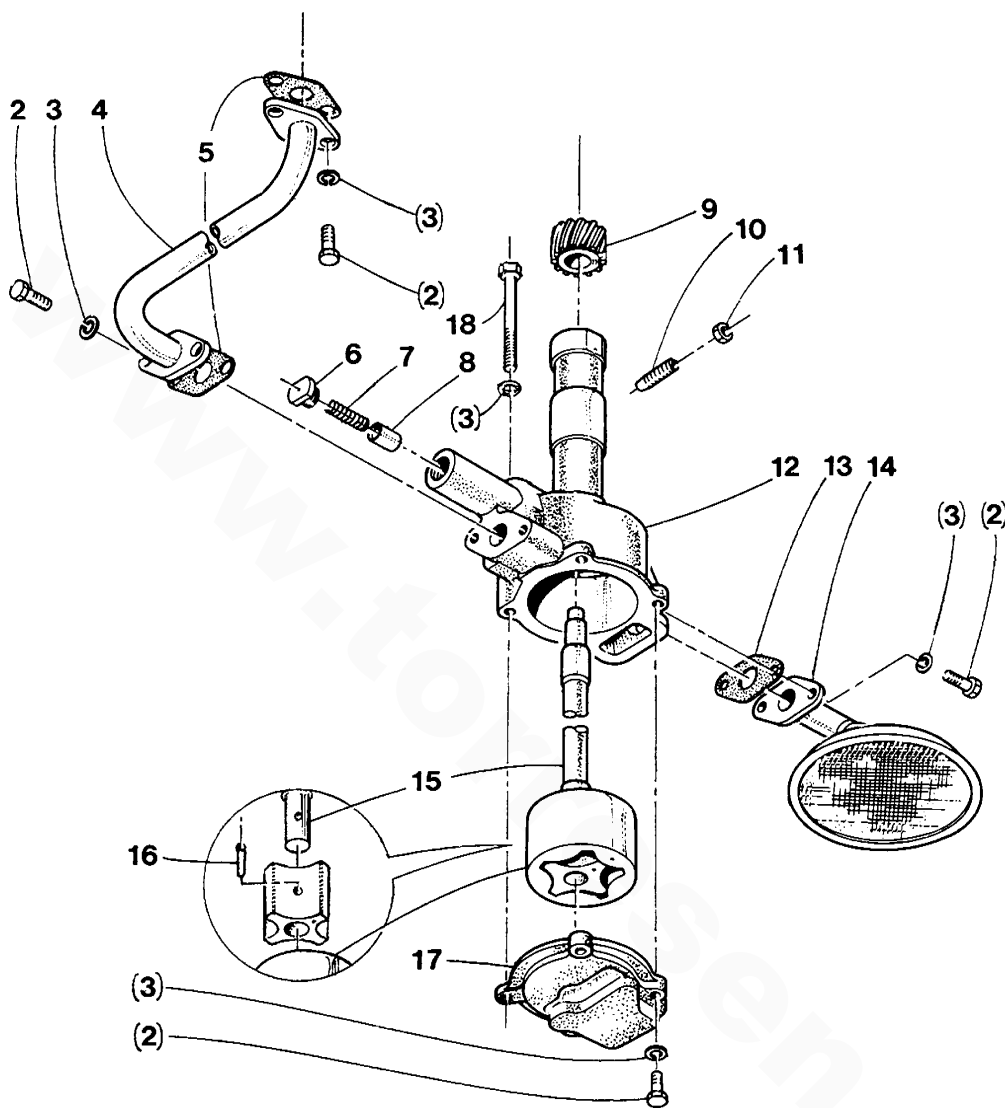
REF	PN	NAME	REMARKS	QUAN
1	24394	GASKET	BLOCK TO TIMING CASE	1
2	24397	GASKET	TIMING COVER TO CASE	1
3	24395	COVER	TIMING	1
4	31056	SEAL	OIL-TIMING COVER	1
5	24399	GASKET	INJECTION PUMP GEAR COVER	1
6	24398	COVER	INJECTION PUMP GEAR	1
7	31758	LOCKWASHER	5/16	29
8	31760	NUT	5/16NF	15
9		STUD	TIMING COVER 5/16NF X 3/4	2
10	24392	CASE	TIMING GEAR	1
11	12495	STUD	INJECTION PUMP 5/16NF X 1-1/2	2
12	14810	STUD	TIMING COVER 5/16NF X 1-3/4	3
13	12495	STUD	TIMING COVER 5/16NF X 1-1/2	6
14	31579	CAPSCREW	COVER TO BLOCK 5/16NF X 7/8	7
15- 1	23962	BRACKET	ALTERNATOR MOUNTING-55AMP	1
15- 2	24038	BRACKET	ALTERNATOR MOUNTING-120AMP	1
16	31587	CAPSCREW	5/16NF X 2-3/4	1
17	23957	BRACKET	SEA WATER PUMP	1
18	31585	CAPSCREW	5/16NF X 2-1/4	7
19	31709	CAPSCREW	1/2NC X 2	1
20- 1	11548	FULLEY	ALTERNATOR DRIVE-55AMP	1
20- 2	22219	FULLEY	ALTERNATOR DRIVE-120AMP	1
21	31578	CAPSCREW	5/16NF X 3/4	1
22- 1	11125	STRAP	ALTERNATOR ADJUSTING-55AMP	1
22- 2	13941	STRAP	ALTERNATOR ADJUSTING-120AMP	1
23	31553	CAPSCREW	5/16NC X 3/4	1
24- 1	24684	ALTERNATOR	55AMP NEG GROUND WITH REGULATOR	1
24- 2	11677	ALTERNATOR	120AMP NEG GROUND WITHOUT REGULATOR	1
25- 1	11672	BELT	ALTERNATOR DRIVE-55AMP	1
25- 2	13878	BELT	ALTERNATOR DRIVE-120AMP	2
26	31589	CAPSCREW	5/16NF X 3-1/4	1



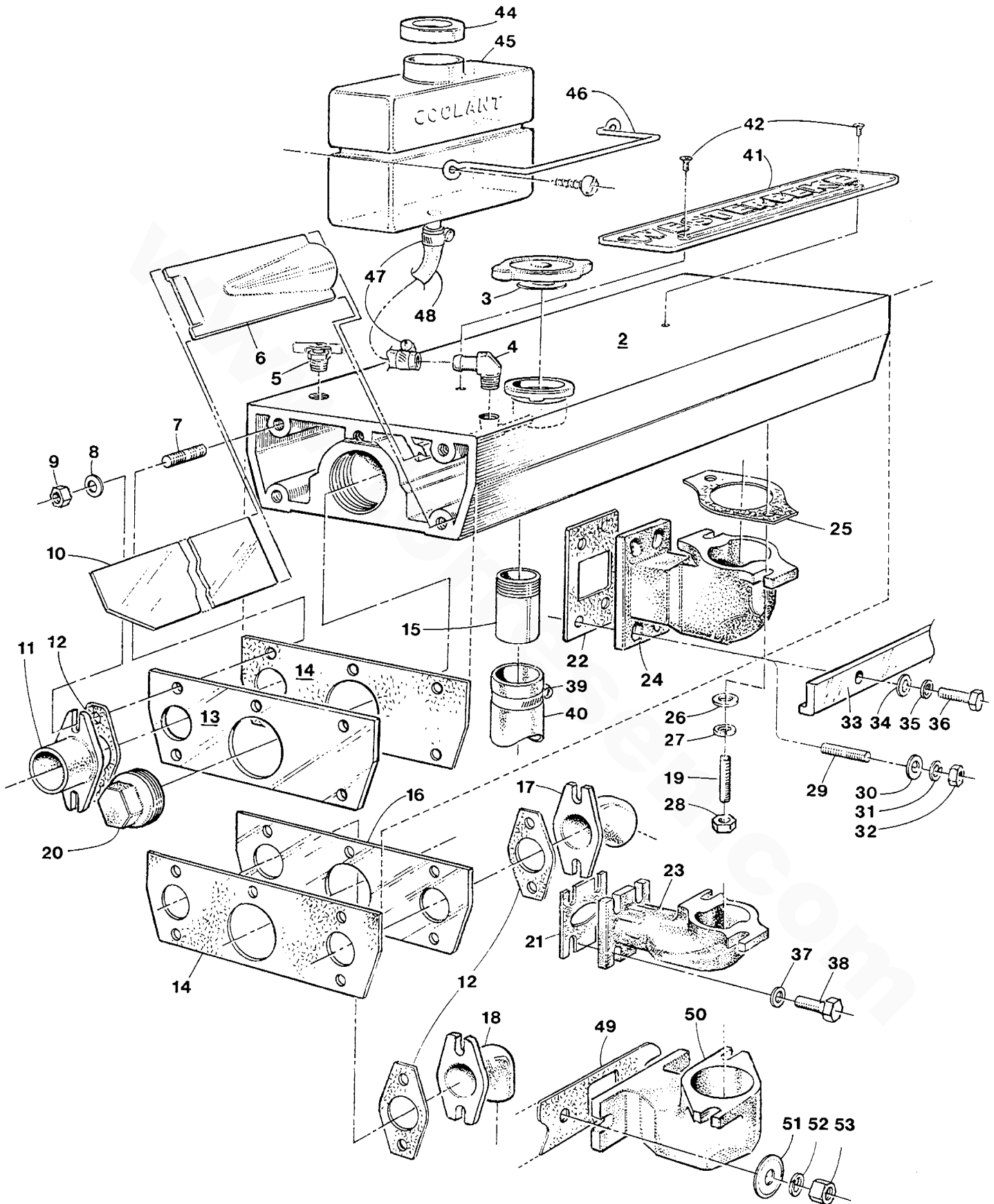
REF	PN	NAME	REMARKS	QUAN
1		STUD	5/16NF X 3-3/4	1
2	24453	GASKET	MANIFOLD TO HEAD	4
3	24548	MANIFOLD	INTAKE	1
4	31758	LOCKWASHER	5/16	8
5	31760	NUT	5/16NF	8
6	30112	SPACER	INTAKE MANIFOLD TO SILENCER	1
7- 1	31320	SILENCER	AIR INTAKE-MARINE	1
7- 2	31321	SILENCER	AIR INTAKE-GENSET	1
8	31145	PLUG	INCLUDED IN REF 7	1
9	31759	WASHER	FLAT 5/16	3
10	31758	LOCKWASHER	5/16	3
11	31594	CAPSCREW	5/16NF X 4-1/2	3
12	30167	SCREEN	INCLUDED IN REF 7	1
13	31527	CAPSCREW	1/4NF X 5/8	2
14	31752	LOCKWASHER	1/4	2
15	24559	BRACKET	MANIFOLD TO INJECTION LINE CLAMP	1



REF	PN	NAME	REMARKS	QUAN
1- 1	24516	GASKET SET	SUMP-COMplete	1
1- 2	12407	GASKET	FRONT AND REAR	2
2	24561	SUMP	OIL	1
3	24388	STIFFENER	SUMP-FRONT	2
4	24390	STIFFENER	SUMP-REAR	1
5	24391	STIFFENER	SUMP-SIDE	12
6	24389	STIFFENER	SUMP-REAR	1
7	31758	LOCKWASHER	5/16	20
8	31577	CAPSCREW	5/16NF X 5/8	18
9	31578	CAPSCREW	5/16NF X 3/4	2
10	30291	WASHER	BANJO	1
11- 1	30750	KIT	SUMP DRAIN HOSE-REF 10-15	1
11- 2	30845	HOSE	ASSEMBLY-SUMP DRAIN	1
12	24913	TABWASHER		1
13- 1	24901	BOLT	BANJO	1
13- 2		LOC-TITE	NO 242 MUST BE USED ON THREADS	
14	24922	BRACKET	SUMP DRAIN HOSE	1
15	24905	CAP	SUMP DRAIN HOSE	1
16		NUT	M6 HEX FLANGE	3
17	24670	COVER	PLATE	1
18	24671	GASKET	COVER PLATE TO SUMP	1
19	16694	HOSE	INCHES REQUIRED	2
20	17298	CLAMP	HOSE	2
21	24609	TUBE	DIPSTICK	1
22	24627	BRACKET	DIPSTICK SUPPORT	1
23	24608	DIPSTICK		1
24	31764	LOCKWASHER	3/8	1
25	31605	CAPSCREW	3/8NC X 1	1
26	24678	CAP	SUMP HOSE SPUD	1
27	17298	CLAMP	HOSE	1
28	13341	PLUG	1/4NPT	1
29	24337	PLUG	SUMP DRAIN WHEN HOSE NOT USED	1
30	24335	GASKET	SUMP DRAIN PLUG	1

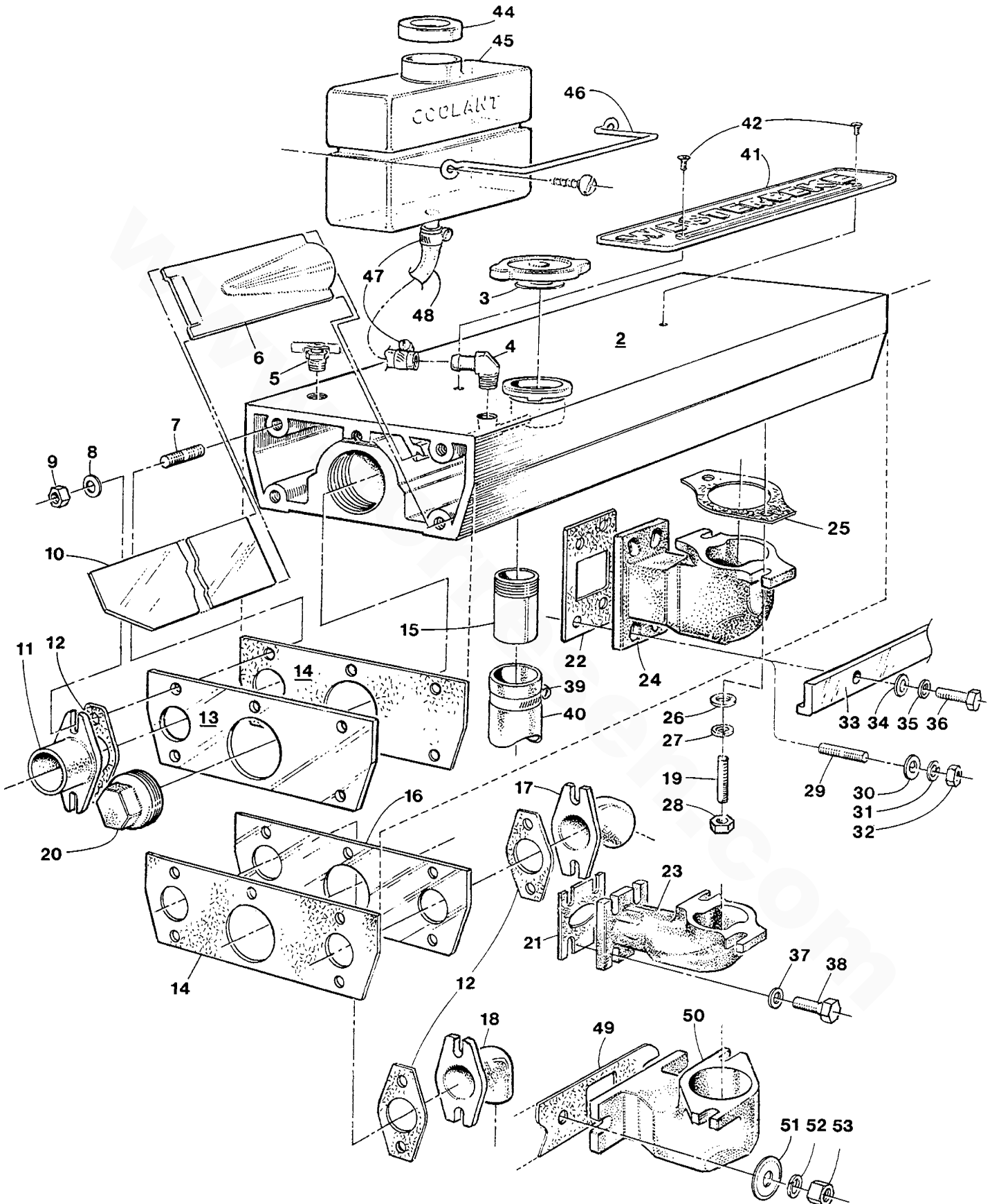


REF	PN	NAME	REMARKS	QUAN
2	31503	CAPSCREW	1/4NF X 3/4	8
3	31752	LOCKWASHER	1/4	10
4	24556	PIPE	OIL	1
5	24472	GASKET	OIL PIPE	2
6	30977	FLUG		1
7	24517	SPRING		1
8	24470	FLUNGER	CONTROL	1
9	24469	GEAR	PUMP DRIVE	1
10	24350	SETSCREW	OIL PUMP RETAINING	1
11	31773	NUT	SETSCREW 7/16-NF	1
12	24551	PUMP	LUBE OIL	1
13	24471	GASKET	STRAINER TO PUMP	1
14	24555	STRAINER	OIL	1
15	24554	SHAFT	PUMP DRIVE	1
16	24468	FIN		2
17	24553	COVER	OIL PUMP	1
18	31512	CAPSCREW	1/4NF X 2-3/4	2



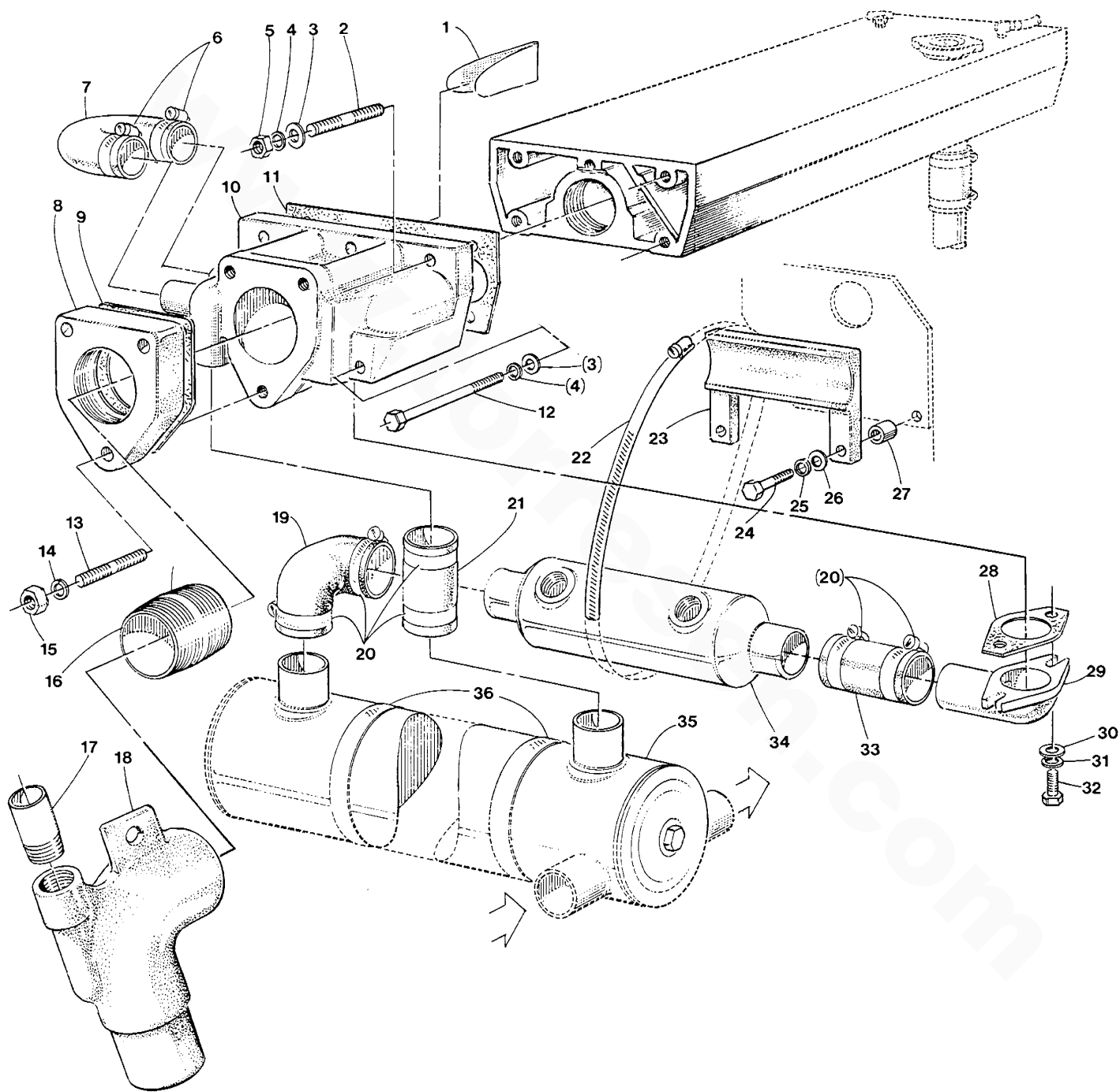
WESTERBEKE EXTRUDED EXHAUST MANIFOLD

REF	PN	NAME	REMARKS	QUAN
2- 1	24298	MANIFOLD	WITH NECK-W13	1
2- 2	24276	MANIFOLD	WITH NECK-W21	1
2- 3	24294	MANIFOLD	WITH NECK-W27	1
2- 4	24300	MANIFOLD	WITH NECK-W33	1
2- 5	30012	MANIFOLD	WITH NECK-W52-58	1
2- 6	30122	MANIFOLD	WITH NECK-W50	1
3	24306	CAP	FILLER	1
4	24907	ELBOW	MANIFOLD TO RECOVERY TANK HOSE	1
5- 1	11471	FETCOCK	MANIFOLD BLEED	1
5- 2	19369	PLUG	BRASS-MANIFOLD BLEED	1
6	24748	DIVERTER		1
7	24838	STUD	MANIFOLD END	10
8	31752	LOCKWASHER	1/4	10
9	31750	NUT	1/4NC	10
10- 1	24843	EAFFLE	W13-21	1
10- 2	30015	BAFFLE	W27	1
10- 3	30016	EAFFLE	W33	1
10- 4	30154	EAFFLE	W52-58	1
10- 5	30153	BAFFLE	W50	1
11	24770	CONNECTOR	FRESH WATER TO MANIFOLD-STRAIGHT	1
12	24763	GASKET	FRESH WATER CONNECTOR	3
13	24779	COVER	MANIFOLD END-FRONT	1
14	24780	GASKET	COVER TO MANIFOLD	2
15	31160	NIPPLE	HOSE	1
16	24775	COVER	MANIFOLD END-REAR	1
17- 1	24772	CONNECTOR	FRESH WATER 45 DEG-W21-27-33-50-52-58	2
17- 2	24772	CONNECTOR	FRESH WATER 45 DEG-W13	1
18	30116	CONNECTOR	FRESH WATER 90 DEG-W13	1
19- 1	11863	STUD	W13	4
19- 2	11863	STUD	W21-50	6
19- 3	11863	STUD	W27-33-52-58	8
20- 1	19324	PLUG	UNUSED EXHAUST OUTLET	1
20- 2		LOC-TITE	ANTI-SEIZE MUST BE USED ON THREADS	
21	30937	GASKET	ELBOW TO HEAD-W13	2
22- 1	24663	GASKET	ELBOW TO HEAD-W21	3
22- 2	24663	GASKET	ELBOW TO HEAD-W27-33-52-58	4
23	24784	ELBOW	MANIFOLD TO HEAD-W13	2
24- 1	24270	ELBOW	MANIFOLD TO HEAD-W21	3
24- 2	24270	ELBOW	MANIFOLD TO HEAD-W27-33-52-58	4
25- 1	24662	GASKET	MANIFOLD TO ELBOW-W13	2
25- 2	24662	GASKET	MANIFOLD TO ELBOW-W21-50	3
25- 3	24662	GASKET	MANIFOLD TO ELBOW-W27-33-52-58	4
26- 1	31759	WASHER	FLAT 5/16-W13	4
26- 2	31759	WASHER	FLAT 5/16-W21-50	6
26- 3	31759	WASHER	FLAT 5/16-W27-33-52-58	8
27- 1	31758	LOCKWASHER	5/16-W13	4
27- 2	31758	LOCKWASHER	5/16-W21-50	6
27- 3	31758	LOCKWASHER	5/16-W27-33-52-58	8
28- 1	31760	NUT	5/16NF-W13	4
28- 2	31760	NUT	5/16NF-W21-50	6
28- 3	31760	NUT	5/16NF-W27-33-52-58	8



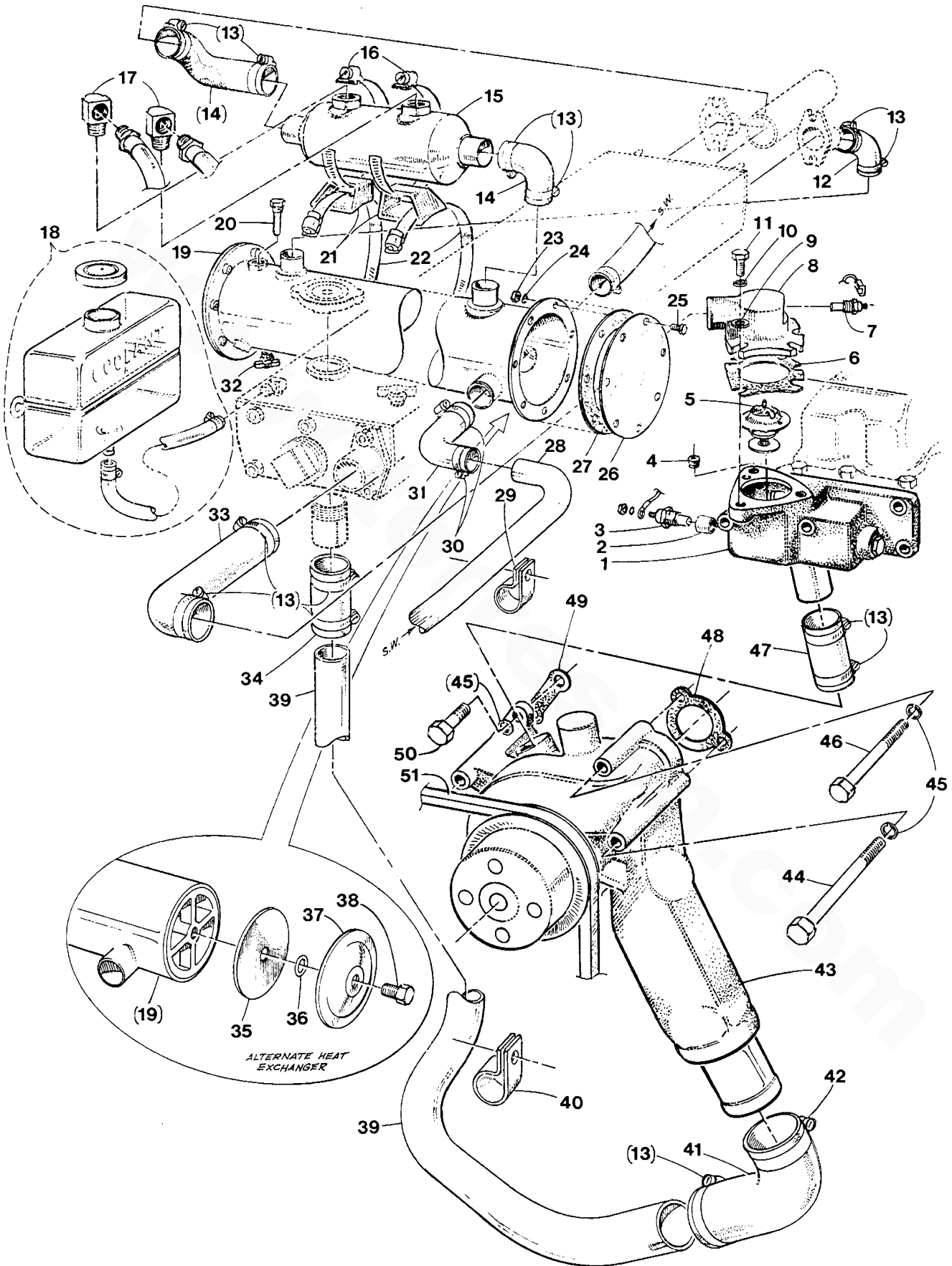
WESTERBEKE EXTRUDED EXHAUST MANIFOLD

REF	PN	NAME	REMARKS	QUAN
29- 1	15830	STUD	ELBOW TO HEAD-W21	6
29- 2	15830	STUD	ELBOW TO HEAD-W27	8
29- 3		STUD	5/16NF X 1-1/4-W52-58	8
30- 1	31787	WASHER	M8 DIN 125-W21	6
30- 2	31787	WASHER	M8 DIN 125-W27	8
30- 3	31759	WASHER	FLAT 5/16-W52-58	8
31- 1	31786	LOCKWASHER	M8 DIN 127-W21	6
31- 2	31786	LOCKWASHER	M8 DIN 127-W27	8
31- 3	31758	LOCKWASHER	5/16-W52-58	8
32- 1	18242	NUT	M8 DIN 934-W21	6
32- 2	18242	NUT	M8 DIN 934-W27	8
32- 3	31760	NUT	5/16NF-W52-58	8
33	30027	BRACE	ELBOW CLAMPING-W33	1
34	31789	WASHER	M10 DIN 125-W33	4
35	19262	LOCKWASHER	M10 DIN 127-W33	6
36	31083	CAPSCREW	M10X1.25X30 JIS-W33	6
37- 1	31789	WASHER	M10 DIN 125-W13	4
37- 2	19262	LOCKWASHER	M10 DIN 127-W13	4
38	31083	CAPSCREW	M10X1.25X30 JIS-W13	4
39	21878	CLAMP	HOSE	1
40		HOSE	MANIFOLD TO TUBE-REFER TO COOLING SYSTEM	1
41	24986	NAMEPLATE		1
42		SCREW	8-32X1/4 OVAL HEAD SS	2
43	24977	KIT	COOLANT RECOVERY REF 44-48	1
44	24858	CAP	COOLANT RECOVERY TANK	1
45	24704	TANK	COOLANT RECOVERY	1
46	24786	STRAP	TANK MOUNTING	1
47	24906	CLAMP	HOSE	2
48	24637	TUBING	INCHES REQUIRED	30
49	11859	GASKET	HEAD TO MANIFOLD ELBOWS AND SILENCER-W50	1
50- 1	24744	ELBOW	MANIFOLD TO HEAD-ENDS-W50	2
50- 2	24226	ELBOW	MANIFOLD TO HEAD-CENTER-W50	1
51- 1	15441	WASHER	ELBOW AND SILENCER RETAINING	4
51- 2	31759	WASHER	5/16 FLAT-W50	2
52	31758	LOCKWASHER	5/16-W50	6
53	31760	NUT	5/16NF-W50	6

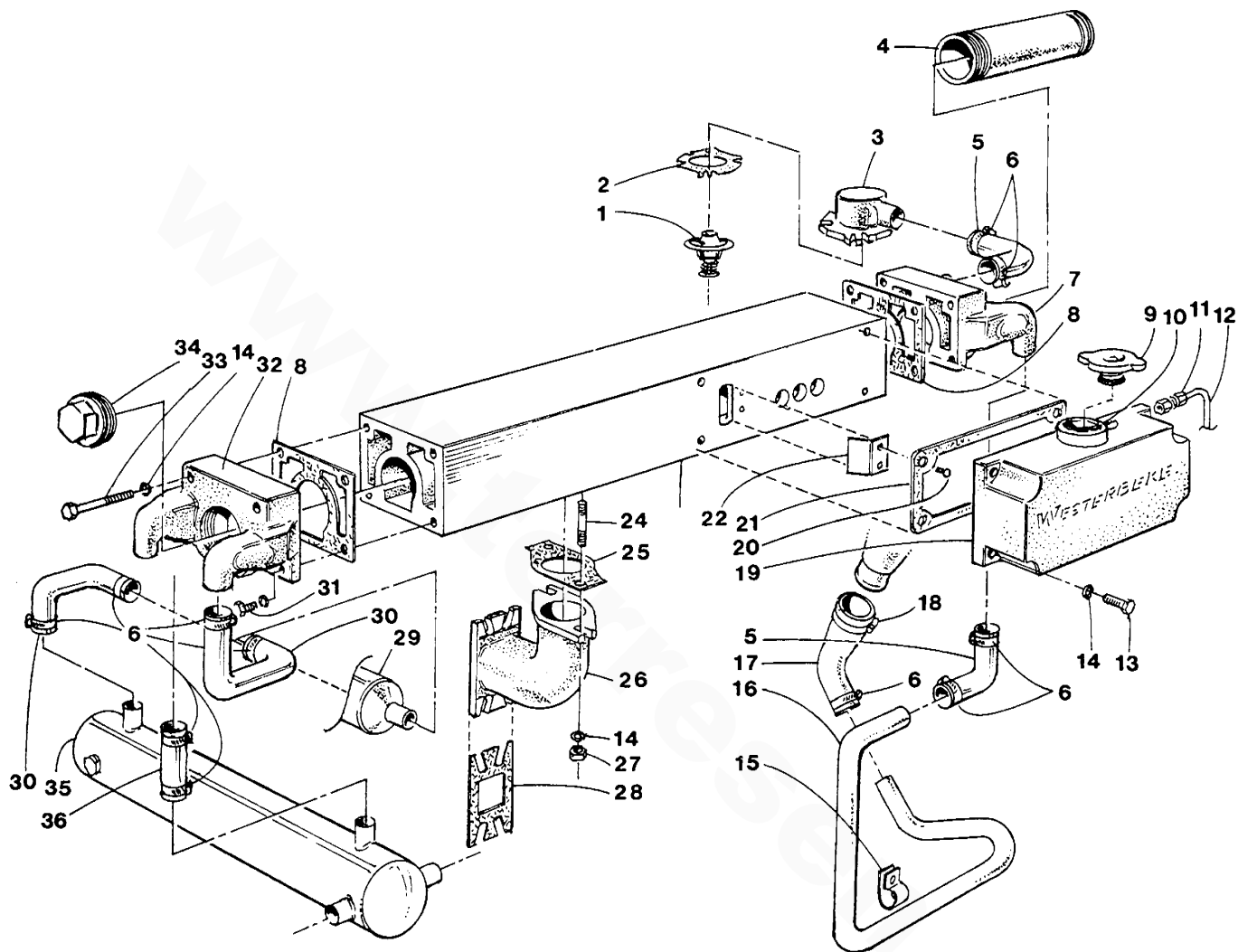


WESTERBEKE FLOWCONTROLLER

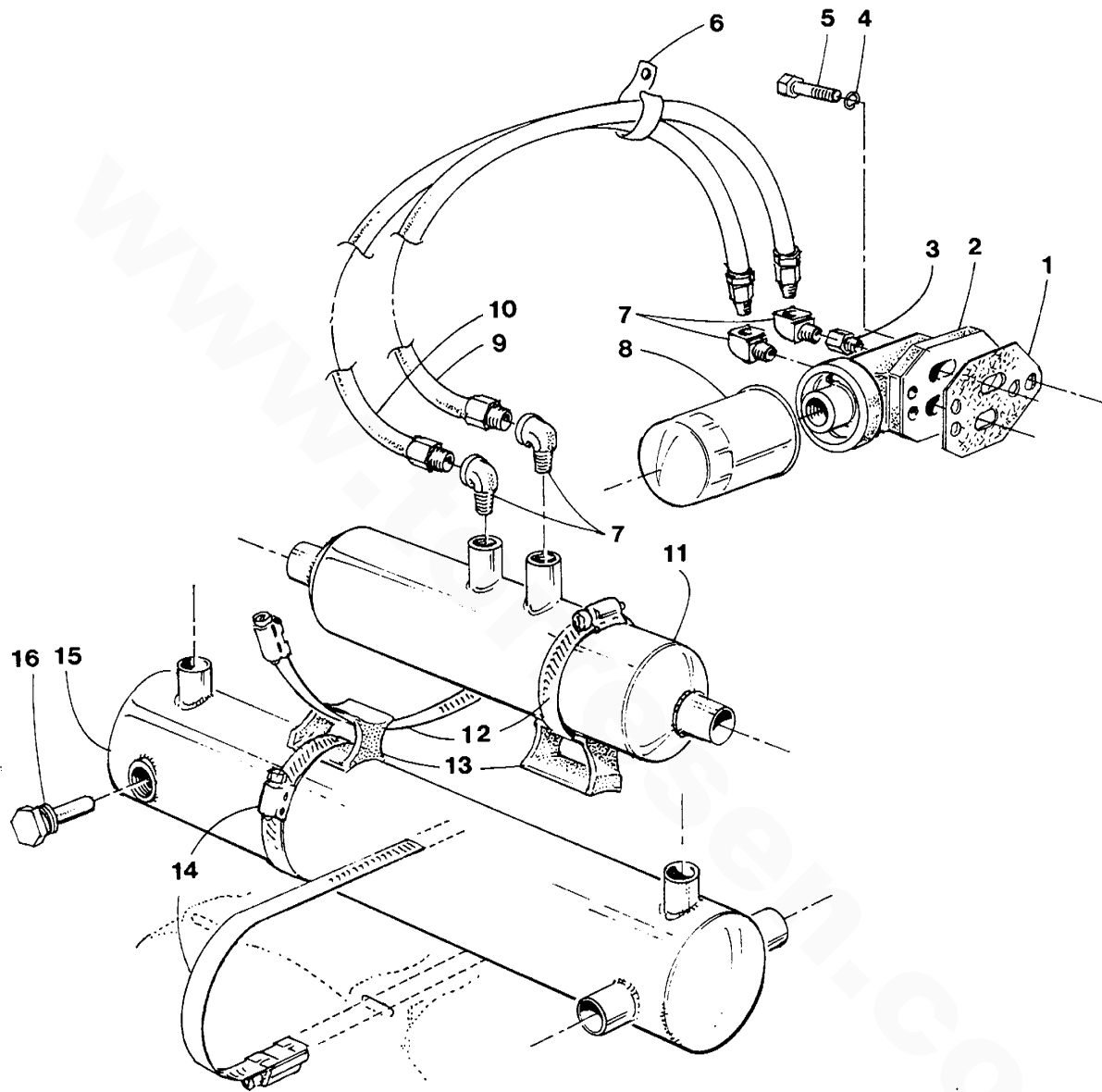
REF	PN	NAME	REMARKS	QUAN
1	30165	SPRING	FLOWCONTROLLER	1
2	24838	STUD	MANIFOLD END	4
3	31753	WASHER	FLAT 1/4	5
4	31752	LOCKWASHER	1/4	5
5	31750	NUT	1/4NC	4
6	11386	CLAMP	HOSE 12	2
7	30962	RETURNBEND	HOSE-WHEN WATER HEATER NOT INSTALLED	1
8	31204	ADAPTER	EXHAUST NIPPLE TO FLOWCONTROLLER	1
9	31206	GASKET	ADAPTER TO FLOWCONTROLLER	1
10	31202	HOUSING	FLOWCONTROLLER	1
11	24780	GASKET	FLOWCONTROLLER TO MANIFOLD	1
12	31514	CAPSCREW	1/4NC X 3-1/4	1
13	31492	STUD	5/16NC X 1-7/8	3
14	31758	LOCKWASHER	5/16	3
15	31756	NUT	5/16NC	3
16	20439	NIPPLE	1.5NPT CLOSE	1
17	19065	NIPPLE	HOSE	1
18	15985	ELBOW	WATER INJECTED EXHAUST	1
19	24305	FOSE	ELBOW	1
20	21878	CLAMP	HOSE 20	6
21	24974	FOSE	WIRE INSERTED 1-3/8ID INCHES REQD	6
22	11411	CLAMP	HOSE 32	2
23	11017	BRACKET		1
24	31583	CAPSCREW	5/16NF X 1-3/4	2
25	31758	LOCKWASHER	5/16	2
26	31759	WASHER	FLAT 5/16	2
27	21885	SPACER		2
28	24763	GASKET	ELBOW TO FLOWCONTROLLER	1
29	31491	ELBOW		1
30	31753	WASHER	FLAT 1/4	2
31	31752	LOCKWASHER	1/4	2
32	31505	CAPSCREW	1/4NC X 1	2
33	24974	FOSE	WIRE INSERTED 1-3/8ID INCHES REQD	3
34	24309	COOLER	OIL	1
35	24308	EXCHANGER	HEAT	1
36	11505	CLAMP	HOSE 48	2
50- 1		LOC-TITE	ANTI-SEIZE MUST BE USED ON THREADS FOR	
50- 2			EXHAUST CONNECTIONS	



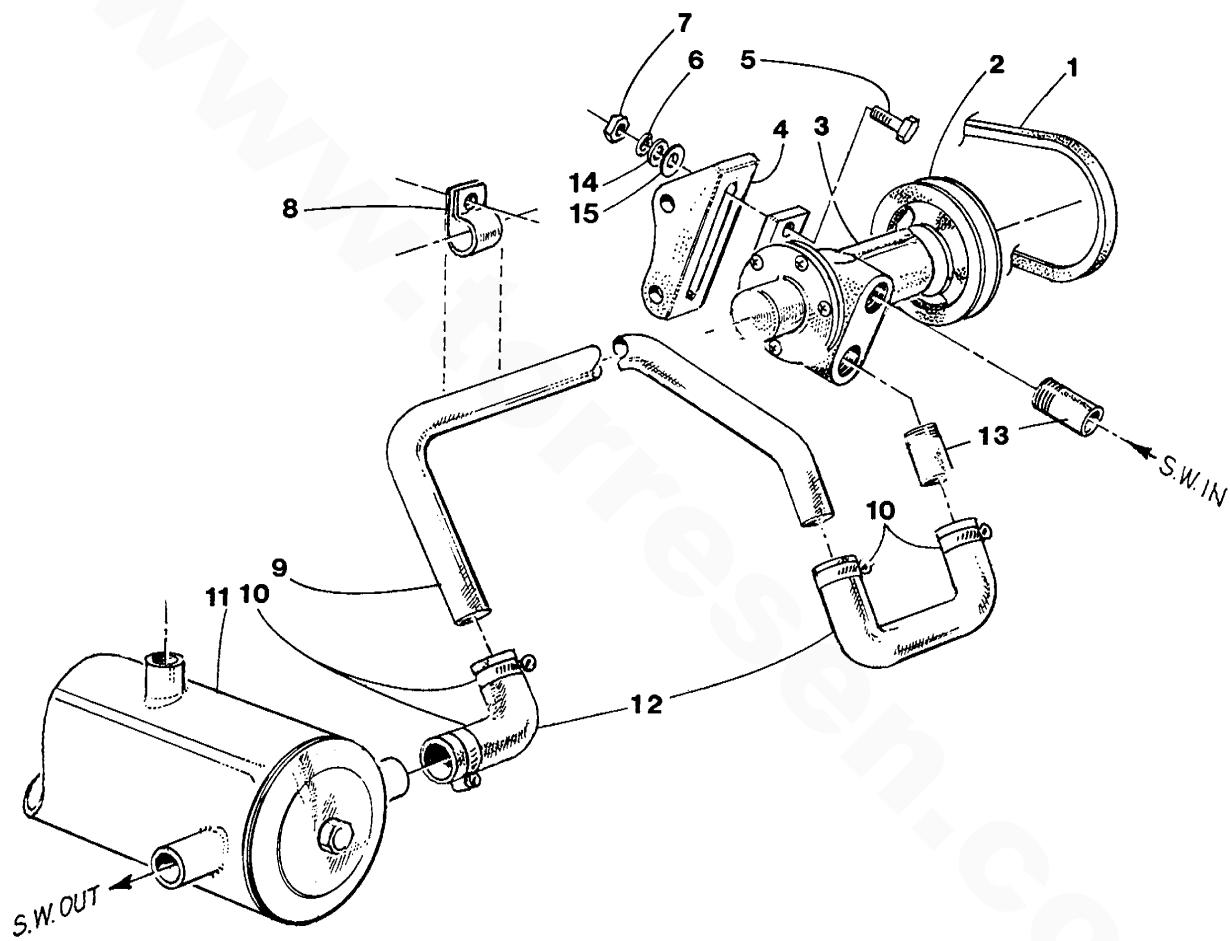
REF	PN	NAME	REMARKS	QUAN
1	24540	HOUSING	LOWER THERMOSTAT	1
2	24672	BUSHING	HOUSING TO 1/8NPT FOR SENDER	1
3	23571	SENDER	WATER TEMPERATURE 1/8NPT	1
4	14433	FLUG	BRASS	1
5	24690	THERMOSTAT	WITH BOTTOM BYPASS AND BLEED HOLE	1
6	24323	GASKET	THERMOSTAT	1
7- 1	30125	SWITCH	WATER TEMPERATURE FOR ALARM	1
7- 2	22131	BUSHING	1/4NPT TO 1/8NPT	1
7- 3	30096	SWITCH	WATER TEMPERATURE FOR SAFETY-GENSET	1
8	24258	HOUSING	UPPER THERMOSTAT	1
9	31759	WASHER	FLAT 5/16	3
10	31758	LOCKWASHER	5/16	3
11	31580	CAPSCREW	5/16NF X 1	3
12	24974	HOSE	WIRE INSERTED 1-3/8ID INCHES REQD	7
13	21878	CLAMP	HOSE 20	13
14	24305	HOSE	ELBOW	2
15	24309	COOLER	OIL	1
16	11411	CLAMP	HOSE 32	2
17	13330	ELBOW		2
18	24977	KIT	COOLANT RECOVERY TANK	1
19	24308	EXCHANGER	HEAT	1
20	11885	ZINC		1
21	24295	ADAPTER	COOLER TO EXCHANGER	2
22	30047	CLAMP	MOUNT EXCHANGER TO HOUSING	2
23	31750	NUT	1/4NC	14
24	31752	LOCKWASHER	1/4	14
25	31502	CAPSCREW	1/4NC X 5/8	14
26	31290	COVER	EXCHANGER END	2
27	31291	GASKET	EXCHANGER END COVER	2
28	24332	TUBE	PUMP TO EXCHANGER	1
29	13760	CLAMP	SUPPORT TUBE	2
30	11341	CLAMP	HOSE 8	2
31	24239	HOSE	RETURNBEND-DOUBLE-CUT AS NEEDED	1
32	11471	PETCOCK		1
33	24334	HOSE	ELBOW	1
34	24974	HOSE	WIRE INSERTED 1-3/8ID INCHES REQD	5
35	22851	GASKET	EXCHANGER END COVER	2
39	19321	C-RING		2
37	22850	COVER	EXCHANGER END	2
38	22852	CAPSCREW	3/8NC X 1/2 BRASS	2
39	30757	TUBE	MANIFOLD TO PUMP	1
40	13741	CLAMP	SUPPORT TUBE	2
41	24289	HOSE	ADAPTER ELBOW	1
42	11411	CLAMP HOSE	32	1
43		PUMP	FRESH WATER-REFER TO PUMP PAGE	
44	31594	CAPSCREW	5/16NF X 4-1/2	1
45	31758	LOCKWASHER	5/16	4
46	31590	CAPSCREW	5/16NF X 3-3/8	1
47	24415	HOSE	THERMOSTAT HOUSING TO PUMP-BYPASS	1
48	24473	GASKET		1
49	24474	GASKET		1
50	31580	CAPSCREW	5/16NF X 1	2
51- 1	11672	BELT	DRIVE PUMP AND 55AMP ALTERNATOR	1
51- 2	13878	BELT	DRIVE PUMP AND 120AMP ALTERNATOR	2



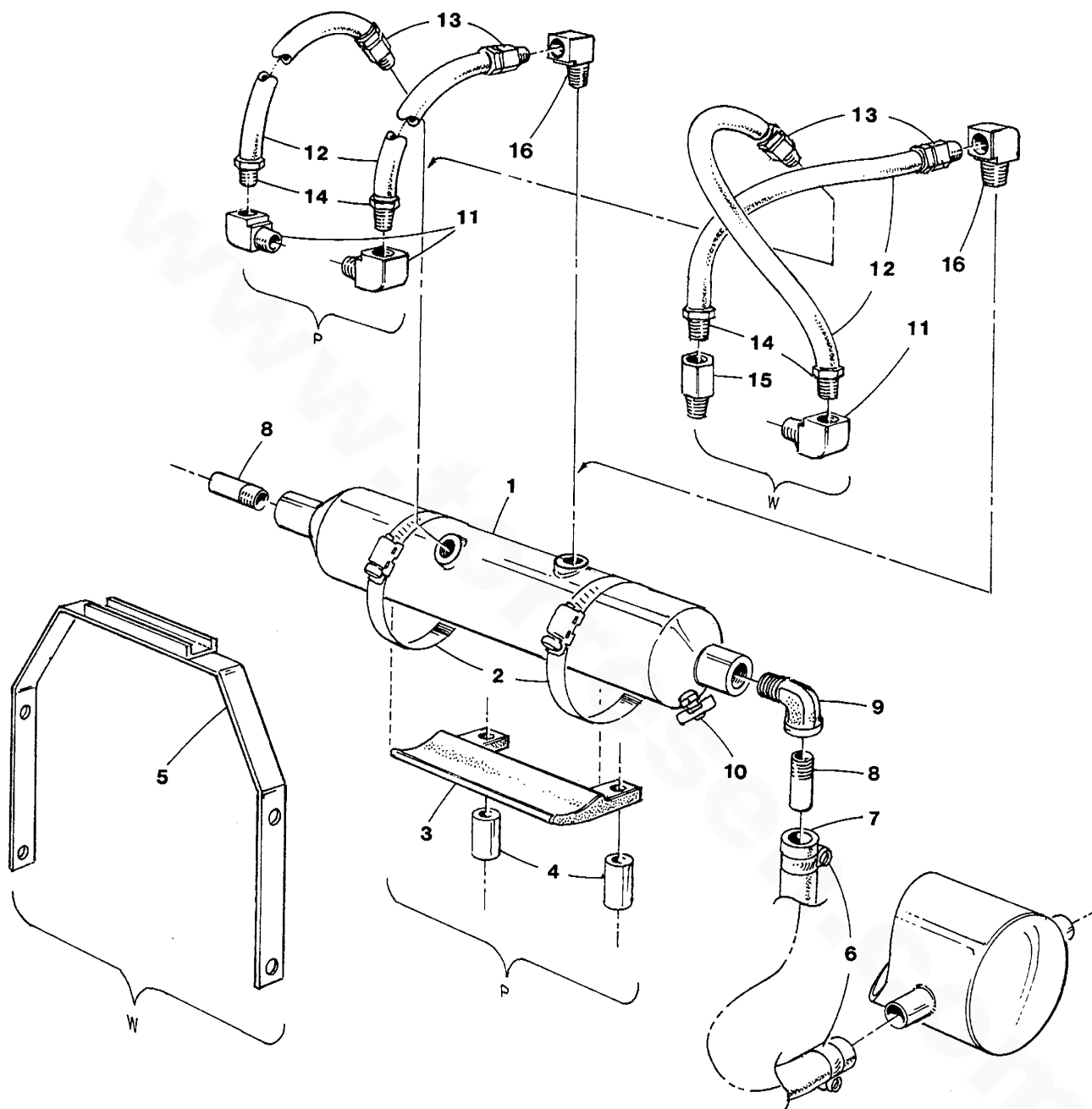
REF	PN	NAME	REMARKS	QUAN
1	24690	THERMOSTAT	WITH BOTTOM BYPASS AND BLEED HOLES	1
2	24323	GASKET	THERMOSTAT	1
3	24256	HOUSING	UPPER THERMOSTAT	1
4- 1	22923	NIPPLE	1-1/2NPT X 6 REAR EXHAUST ELBOW	1
4- 2	24207	NIPPLE	1-1/2NPT X 8 FRONT EXHAUST ELBOW	1
5	24334	ELBOW	HOSE 90 DEGREE	2
6	21878	CLAMP	HOSE	11
7	24310	FLANGE	MANIFOLD END	
8	24277	GASKET	MANIFOLD TO END FLANGE	2
9	24306	CAP	PRESSURE	1
10	11751	NECK	FILLER	1
11	19449	CONNECTOR	OVERFLOW TUBE	1
12	11500	TUBING	OVERFLOW-INCHES REQUIRED	17
13	31554	CAPSCREW	5/16NC X 7/8	4
14	31759	WASHER	5/16 FLAT PLUS LOCKWASHER	20
15	13741	CLAMP	SUPPORT TUBE	1
16	24256	TUBE	MANIFOLD TO PUMP	1
17	24289	ELBOW	HOSE-ADAPTER	1
18	11411	CLAMP	HOSE	1
19	24616	TANK	SURGE	1
20- 1		SCREW	10-32 X 3/8	2
20- 2		LOCKWASHER	10	2
21	24615	GASKET	TANK TO MANIFOLD	1
22	24623	PLATE	DIVERTER	1
23	24274	MANIFOLD	EXHAUST	1
24	11863	STUD	5/16NC X 5/16NF X 1-3/8 LG	8
25	24662	GASKET	MANIFOLD TO ELBOW	4
26	24270	ELBOW	MANIFOLD TO HEAD	4
27	31760	NUT	5/16NF	8
28	24663	GASKET	ELBOW TO HEAD	4
29	24309	COOLER	LUBE OIL	1
30	24305	ELBOW	HOSE-OFFSET	2
31	31555	CAPSCREW	5/16NC X 1	4
32	24156	FLANGE	MANIFOLD END	1
33	31561	CAPSCREW	5/16NC X 2-1/2	4
34	19324	PLUG	EXHAUST	1
35	24308	EXCHANGER	HEAT	1
36		HOSE	USE EXCESS TRIMMED OFF REF 5 ELBOW	1



REF	PN	NAME	REMARKS	QUAN
1	24322	GASKET	OIL ADAPTER TO BLOCK	1
2	24264	ADAPTER	LUBE OIL FILTER	1
3	13332	CONNECTOR		1
4	31770	LOCKWASHER	7/16	2
5	31691	CAPSCREW	7/16NF X 3-3/4	2
6	13741	CLAMP	SUPPORT OIL LINES	1
7	13330	ELBOW		4
8	16655	ELEMENT	LUBE OIL FILTER	1
9	24697	LINE	LUBE OIL ADAPTER TO COOLER	1
10	24698	LINE	LUBE OIL ADAPTER TO COOLER	1
11	24309	COOLER	LUBE OIL	1
12	11411	CLAMP	MOUNT OIL COOLER	2
13	24295	ADAPTER	COOLER TO EXCHANGER	2
14	30047	CLAMP	MOUNT EXCHANGER TO HOUSING	2
15	24308	EXCHANGER	HEAT	1
16	11885	ZINC		1

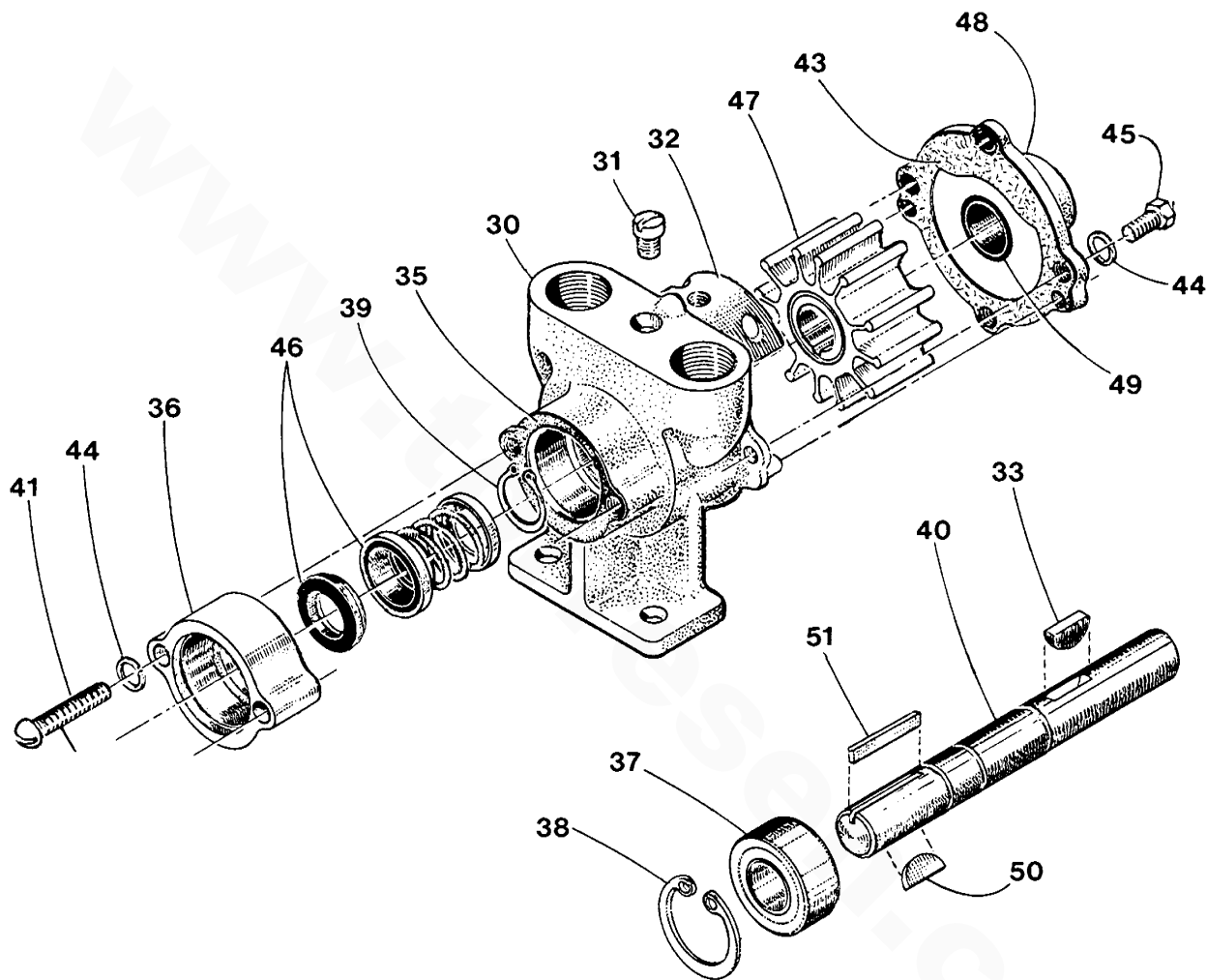


REF	PN	NAME	REMARKS	QUAN
1	31152	BELT	SEA WATER PUMP DRIVING	1
2	24281	PULLEY	SEA WATER PUMP DRIVING	1
3	24102	PUMP	SEA WATER	1
4	23957	BRACKET	SEA WATER PUMP MOUNTING	1
5	31555	CAPSCREW	5/16NC X 1	2
6	31758	LOCKWASHER	5/16	2
7	31756	NUT	5/16NC	2
8	13760	CLAMP	SUPPORT TUBE TO BLOCK	2
9	24332	TUBE	SEA WATER	1
10	11341	CLAMP	HOSE	4
11	24308	EXCHANGER	HEAT	1
12	24239	RETURNBEND	HOSE-DOUBLE-CUT AS NEEDED	1
13	19065	NIPPLE	HOSE	2



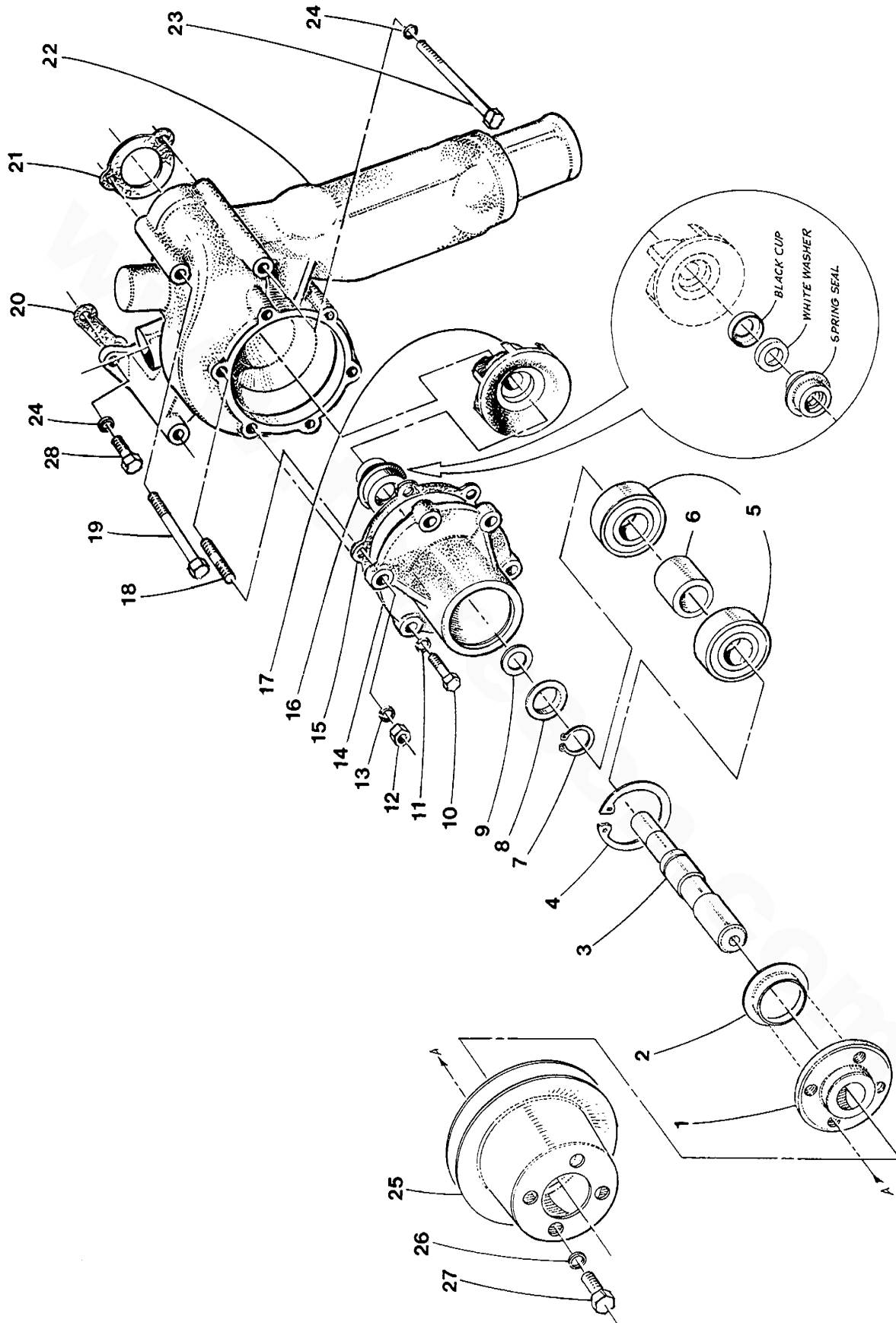
Engine parts from Torrsten Marine - www.torresen.com - 231-759-8596
 HYDRAULIC TRANSMISSION OIL COOLER SYSTEM

REF	PN	NAME	REMARKS	QUAN
1	11657	COOLER	OIL	1
2	11411	CLAMP	HOSE-MOUNT COOLER TO BRACKET	2
3	11017	BRACKET	OIL COOLER MOUNT ON PARAGON HYDRAULIC	1
4	13621	SPACER	OIL COOLER MOUNT ON PARAGON HYDRAULIC	2
5	13057	BRACKET	OIL COOLER MOUNT ON WARNER HYDRAULIC	1
6	11341	CLAMP	HOSE	2
7	19059	HOSE	INCHES REQUIRED	16
8	19065	NIPPLE	HOSE	2
9	24693	ELBOW		2
10	11471	PETCOCK		1
11- 1	13330	ADAPTER	ELBOW-WARNER HYDRAULIC	1
11- 2	13330	ADAPTER	ELBOW-PARAGON HYDRAULIC	3
12	11775	HOSE	INCHES REQUIRED	AR
13	11777	CONNECTOR	HOSE	2
14	11776	CONNECTOR	HOSE-SWIVEL	2
15	13348	ADAPTER	WARNER HYDRAULIC	1
16	13338	ELBOW	3/8NPT BRASS-STREET	2



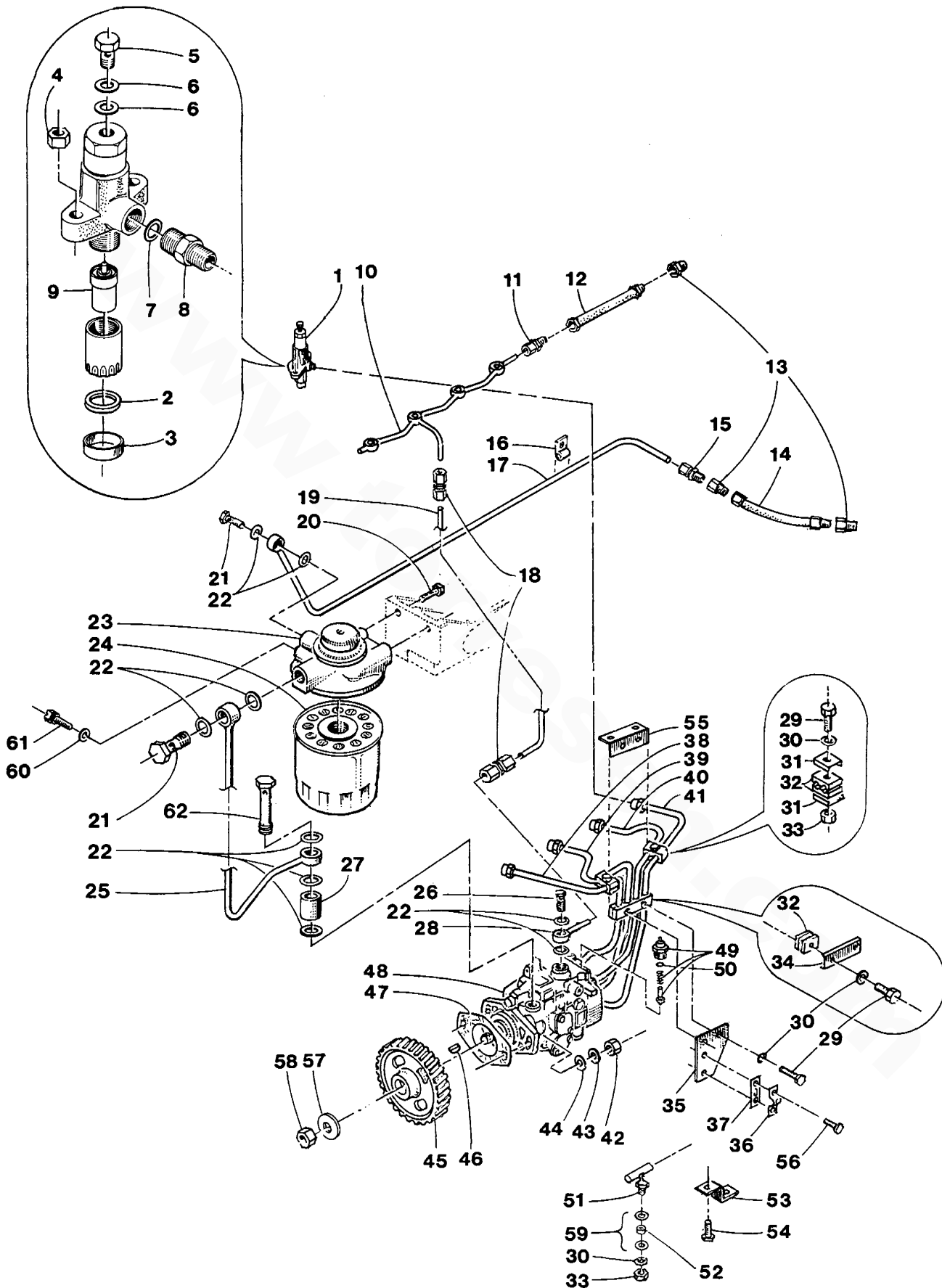
WESTERBEKE 58 - SEA WATER PUMP

REF	PN	NAME	REMARKS	QUAN
30- 1	24102	PUMP	COMPLETE SHERWOOD	1
30- 2	24650	HOUSING	PUMP BODY ASSEMBLY	1
30- 3	24652	KIT	MAJOR REPAIR	1
31	24647	SCREW	PUMP HOUSING TO CAM	1
32	24648	CAM		1
33	12915	KEY	IMPELLER TO SHAFT	1
34	19369	PLUG	DRAIN	1
35	24651	GASKET	BEARING TO PUMP HOUSINGS	1
36	24653	HOUSING	BEARING-ASSEMBLY	1
37	24654	BEARING		1
38	24655	RING	RETAINING	1
39	24656	RING	RETAINING	3
40	24657	SHAFT		1
41	24659	SCREW	BEARING TO PUMP HOUSINGS	2
42	18142	COWL	COVER TO PUMP HOUSING	2
43	24646	GASKET	IMPELLER COVER	1
44	24645	LOCKWASHER	BRASS	8
45	24644	SCREW	BRASS-IMPELLER COVER	6
46	24649	SEAL	WITH SEAT	1
47	11764	IMPELLER		1
48	24643	COVER	IMPELLER	1
49	24642	BUSHING	GRAPHITE	1
50	24658	KEY	DRIVE PULLEY TO SHAFT	1



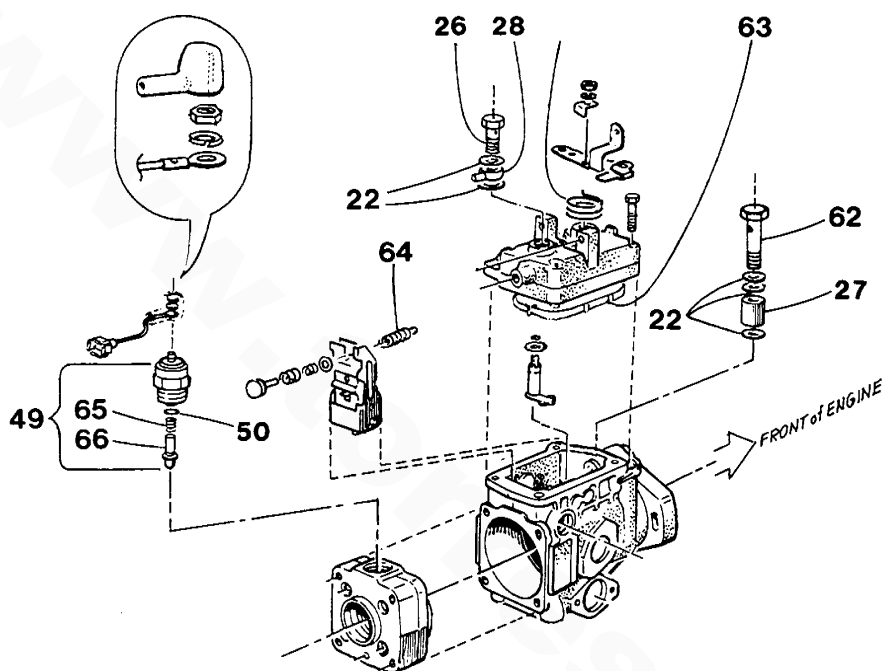
WESTERBEKE 58 - FRESH WATER PUMP

REF	PN	NAME	REMARKS	QUAN
1	24518	FLANGE	WATER PUMP PULLEY	1
2		PLATE	SEE REF 14 OR 29	1
3		SHAFT	SEE REF 14 OR 29	1
4	24413	CIRCLIP		1
5	24568	BEARING		2
6	24477	SPACER	BEARING	1
7	24414	CIRCLIP		1
8	24479	PLATE	DUST SEAL	1
9	24481	SLINGER		1
10	31527	CAPSCREW	1/4NF X 5/8	4
11	31752	LOCKWASHER	1/4	4
12	31754	NUT	1/4NF	2
13	31752	LOCKWASHER	1/4	2
14	24557	HOUSING	PUMP BEARING ASSY-REF 1 THRU 9,14,16,17	1
15	24478	GASKET		1
16	24480	SEAL		1
17		IMPELLER	SEE REF 14 OR 29	1
18		STUD	1/4NF X 7/8	2
19	31590	CAPSCREW	5/16NF X 3-3/8	1
20	24474	GASKET		1
21	24473	GASKET		1
22	32214	BODY	WATER PUMP	1
23	31594	CAPSCREW	5/16NF X 4-1/2	1
24	31758	LOCKWASHER	5/16	4
25 - 1	24558	PULLEY	FRESH WATER PUMP	1
25 - 2	24108	FULLEY	FRESH WATER PUMP 2 GROOVE	1
26	31758	LOCKWASHER	5/16	4
27	31576	CAPSCREW	5/16NF X 1/2	4
28	31580	CAPSCREW	5/16NF X 1	2
29	24538	KIT	PUMP REBUILD-REF 2 THRU 9,15,16,17	1



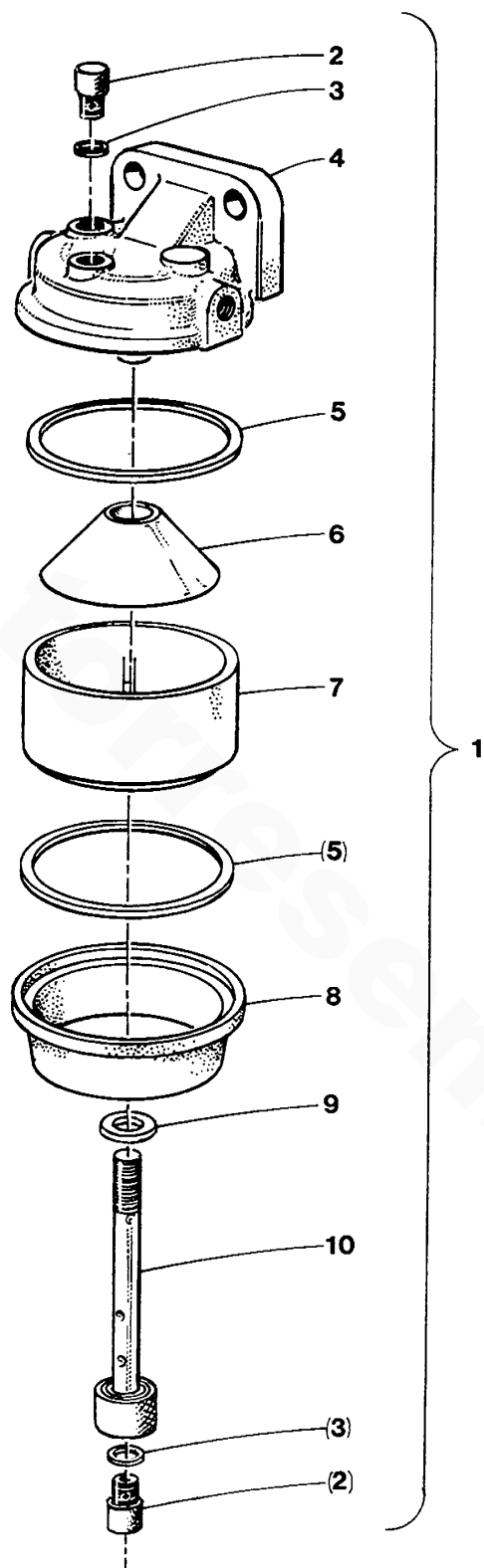
WESTERBEKE 58 - FUEL SYSTEM

REF	PN	NAME	REMARKS	QUAN
1- 1	24563	INJECTOR	ASSEMBLY-EXCLUDING REF 2 & 4	4
1- 2	24564	INJECTOR	HOLDER-EXCLUDING REF 2,4 & 9	4
2	24454	WASHER	INJECTOR NOZZLE	4
3	24527	SEAL	INJECTOR DUST	4
4	31760	NUT	5/16NF	2
5	24500	BOLT	BANJO-INJECTOR LEAK-OFF	4
6	11943	WASHER	BANJO BOLT	8
7	24499	WASHER		4
8	24505	ADAPTER	CONNECT FUEL LINES TO INJECTORS	4
9	24565	NOZZLE	INJECTOR	4
10	24528	LINE	INJECTOR RETURN	1
11	24633	CONNECTOR	LINE TO RETURN HOSE	1
12	20950	HOSE	FUEL RETURN 18 IN LONG	1
13	15289	ADAPTER		3
14	24682	HOSE	FUEL SUPPLY 18 IN LONG	1
15	24634	CONNECTOR		1
16	24534	CLAMP	FUEL LINE SUPPORT	2
17	24550	LINE	FUEL SUPPLY	1
18	24600	UNION	COMPRESSION	2
19	32117	LINE	PUMP TO INJECTOR LEAK-OFF	1
20	31630	CAPSCREW	3/8NF X 1	2
21	24506	BOLT	BANJO	2
22	24498	WASHER	BANJO BOLT	9
23	24549	FILTER	FUEL WITH PRIMING PUMP	1
24	24363	ELEMENT	FUEL FILTER	1
25	24464	LINE	FILTER TO INJECTION PUMP	1
26	24501	BOLT	BANJO-INJECTION PUMP OUTLET	1
27	24504	SPACER	FUEL LINE TO PUMP INLET	1
28	24502	BANJO	FUEL RETURN FROM PUMP	1
29		CAPSCREW	10-32 X 1	4
30		LOCKWASHER	10	7
31	24456	CLAMP	CHANNEL	4
32	24455	CLAMP	INJECTOR LINES	8
33		NUT	10-32	3
34	24460	CLAMP	CHANNEL	1
35	24622	BRACKET	THROTTLE CABLE	1
36	13325	CLAMP	THROTTLE CABLE	1
37	13870	SHIM	THROTTLE CABLE	1
38	24529	LINE	INJECTOR 1	1
39	24530	LINE	INJECTOR 2	1
40	24531	LINE	INJECTOR 3	1
41	24532	LINE	INJECTOR 4	1
42	31760	NUT	5/16NF	2
43	31758	LOCKWASHER	5/16	2
44	31759	WASHER	5/16 FLAT	2
45	24533	GEAR	INJECTION PUMP DRIVING	1



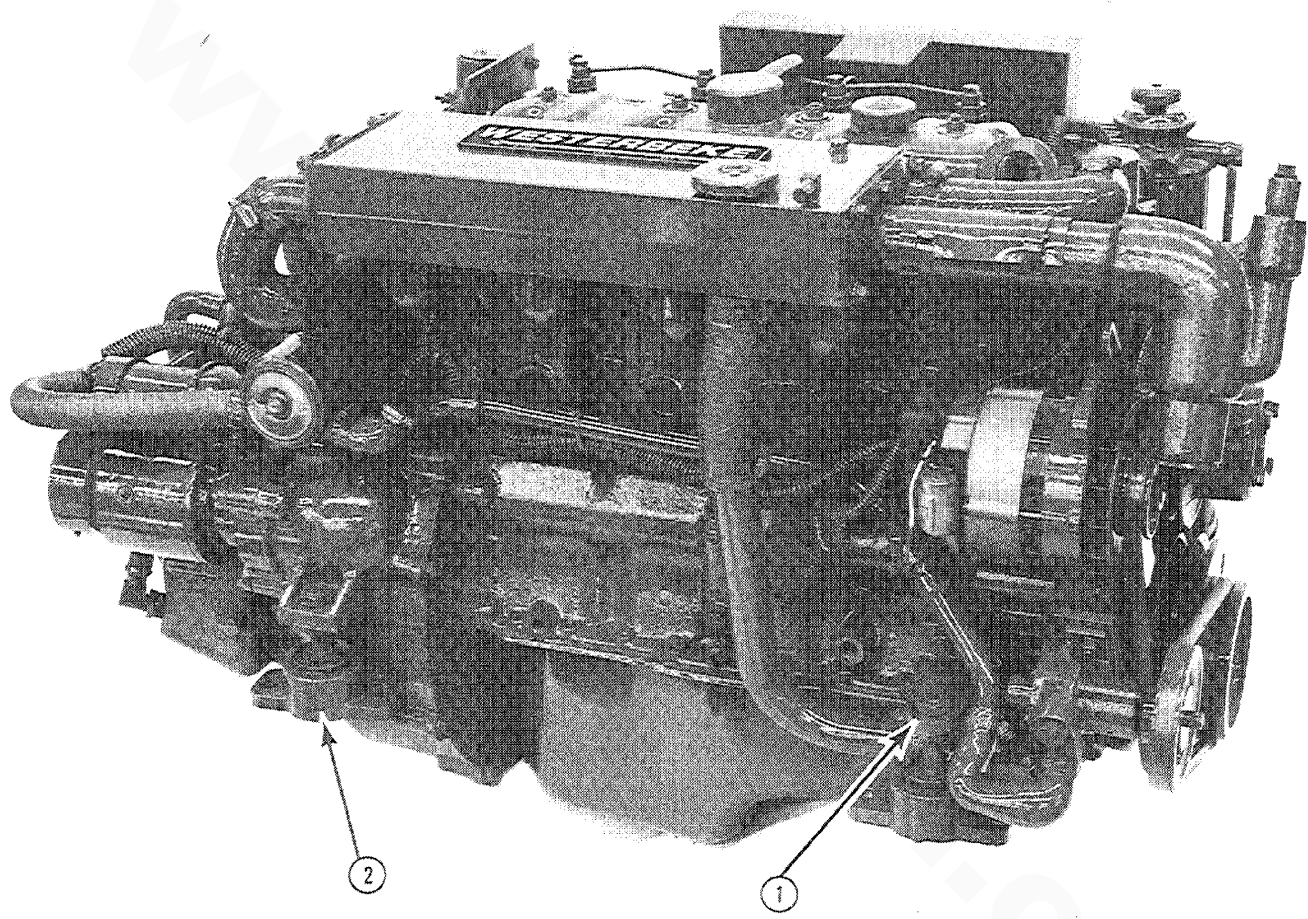
WESTERBEKE 58 - FUEL SYSTEM

REF	PN	NAME	REMARKS	QUAN
46	24515	KEY	WOODRUFF	1
47	24461	GASKET	INJECTION PUMP TO TIMING CASE	1
48	24569	PUMP	FUEL INJECTION	1
49	24338	SOLENOID	FUEL SHUT-OFF IN PUMP	1
50	24339	O-RING	FUEL SOLENOID	1
51	19364	BALL JOINT	THROTTLE CABLE	1
52	24673	SPACER	BALL JOINT TO THROTTLE LEVER	1
53	24618	BRACKET	SUPPORT INJECTION PUMP	1
54	18813	CAPSCREW	M10 X 20 DIN 933	1
55	24459	BRACKET	MANIFOLD TO INJECTOR LINE CLAMP	1
56		SCREW	10-32 X 1/2	2
57	31792	LOCKWASHER	M12 DIN 127	1
58	31791	NUT	M12 DIN 934	1
59		WASHER	10	2
60	17567	WASHER	BLEED SCREW	1
61		SCREW	BLEED	1
62	24503	BOLT	BANJO-INJECTION PUMP INLET	1
63	24542	GASKET	COVER INJECTION PUMP GOVERNOR	1
64- 1	24537	SPRING	GOVERNOR-MARINE ENGINE	1
64- 2	24571	SPRING	GOVERNOR-GENERATOR	1
65	32131	SPRING	FUEL SOLENOID PLUNGER	1
66	32114	FLUNGER	FUEL SOLENOID	1



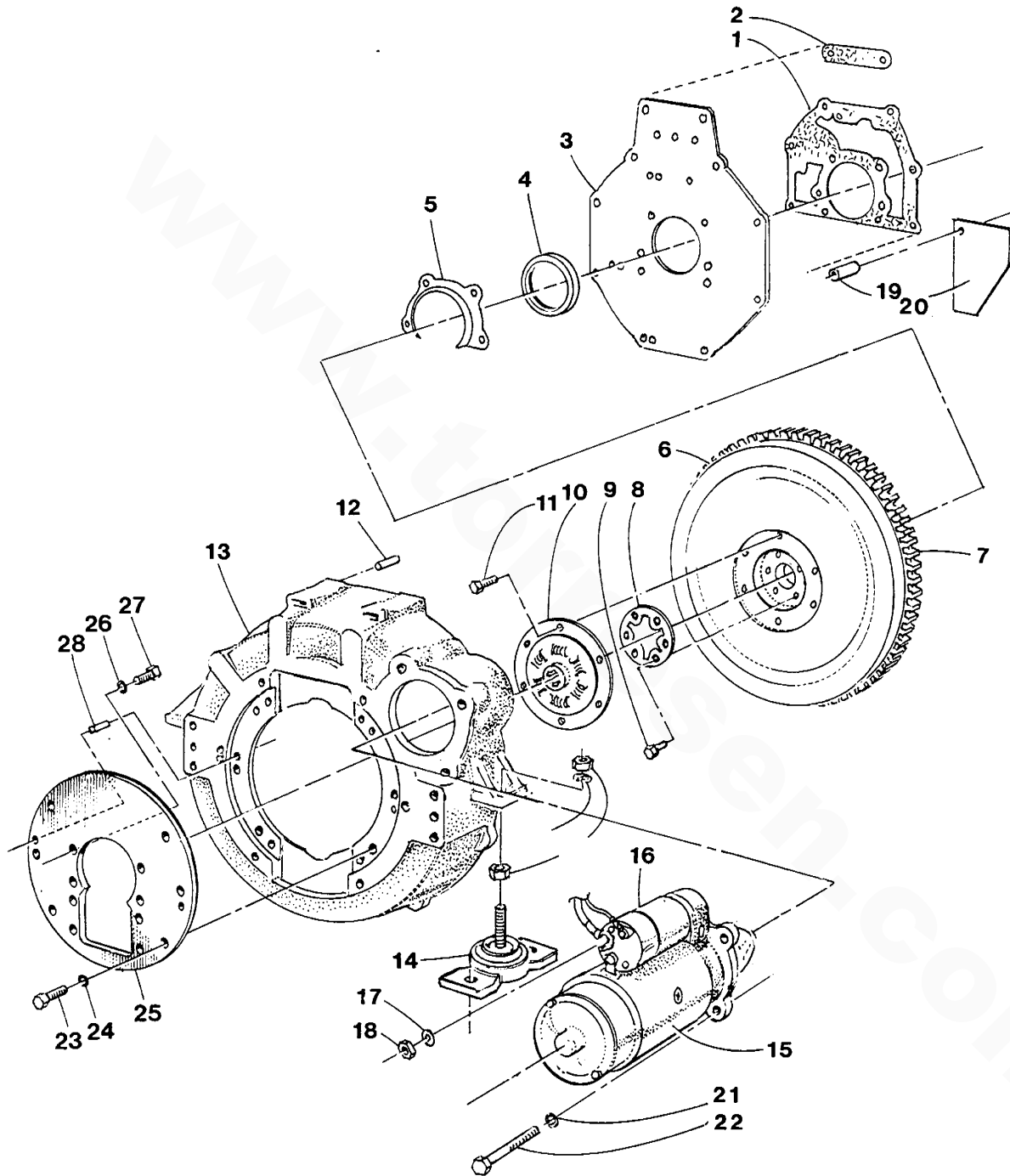
REF	PN	NAME	REMARKS	QUAN
1	24985	FILTER	PRIMARY FUEL - WATER SEPARATOR	1
2	31176	SCREW	VENT AND DRAIN	2
3	31175	SEAL	VENT AND DRAIN SCREW	2
4	31183	HEAD	FILTER	1
5	31178	GASKET		2
6	31181	CONE		1
7	31180	BODY		1
8	31177	BOWL	SEDIMENT	1
9	31179	SEAL	BOWL SCREW	1
10	31182	SCREW	BOWL	1

www.torresen.com

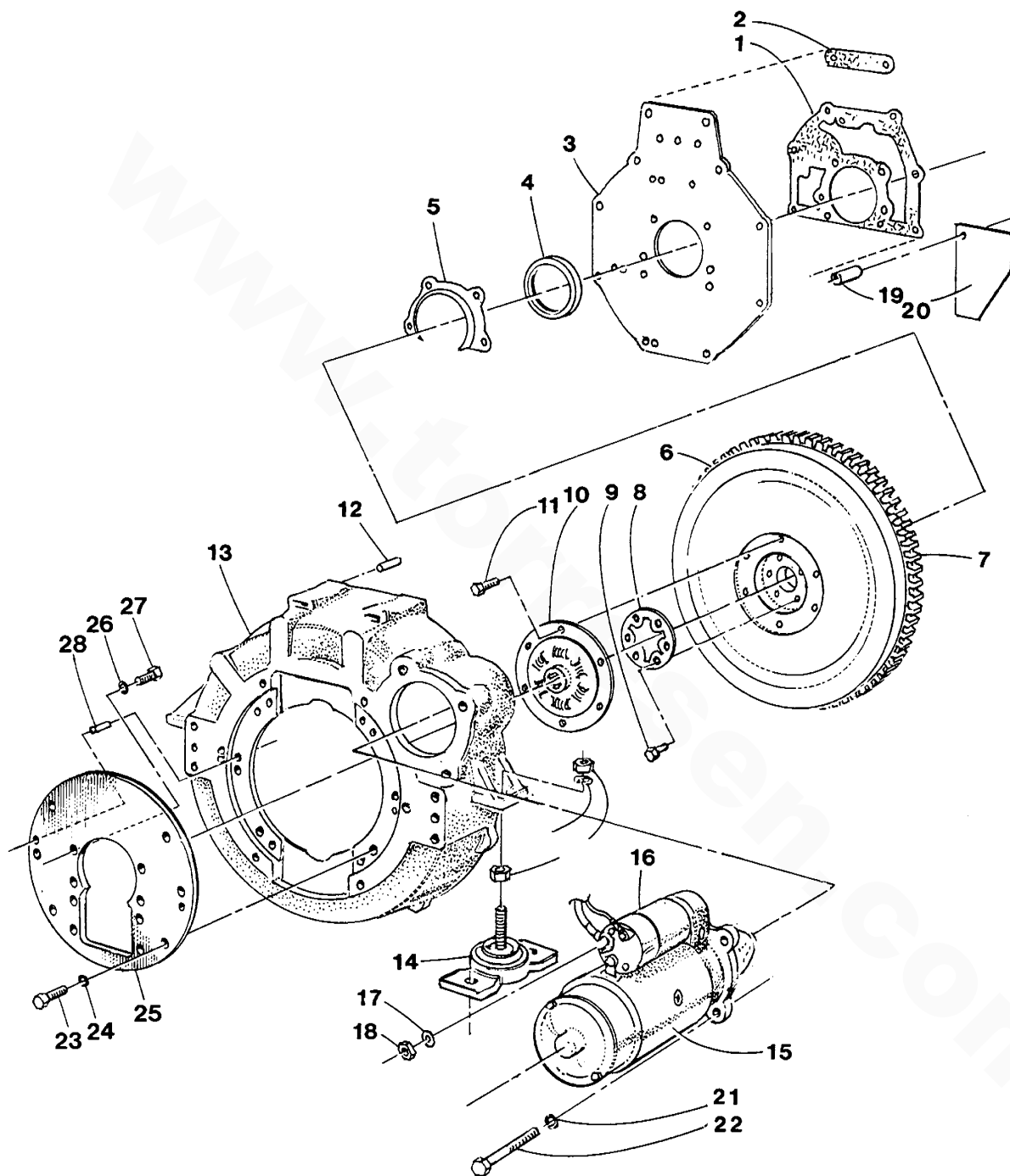


REF	PN	NAME	REMARKS	QUAN
1	23954	MOUNT	FRONT	2
2	11687	ISOLATOR		4

www.torresen.com

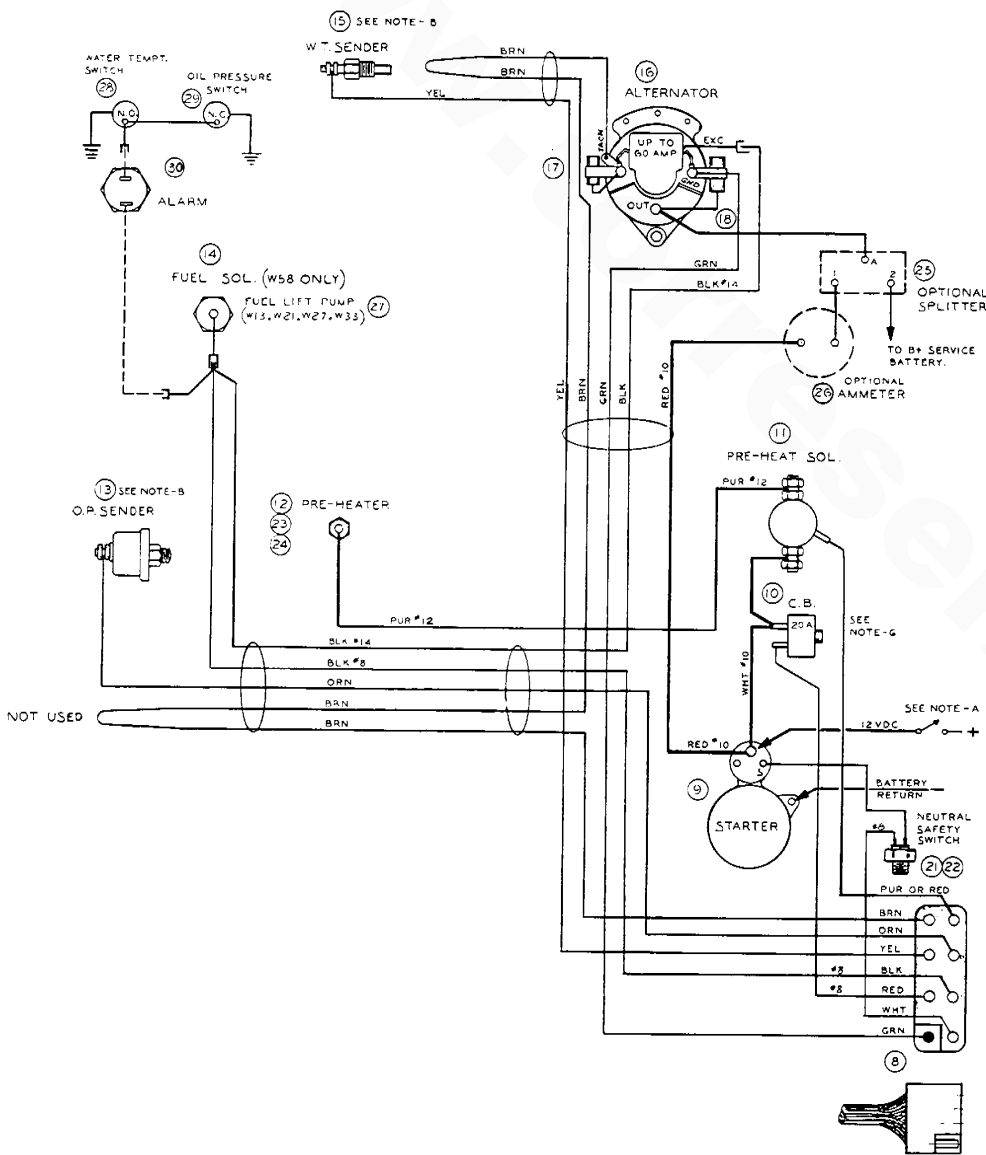


REF	PN	NAME	REMARKS	QUAN
		NOTE	ABSENCE OF A LISTING INDICATE NO PART USED ON THAT MODEL	
1- 1	30130	GASKET	BACKPLATE TO BLOCK-W30,W50	1
1- 2	17583	GASKET	BACKPLATE TO BLOCK-W60	1
2- 1	23174	GASKET	BACKPLATE TO BLOCK-UPPER-W50	1
2- 2	17748	GASKET	BACKPLATE TO BLOCK-UPPER-W60	1
3- 1	23788	BACKPLATE	W30,W50,W60	1
3- 2	23948	BACKPLATE	W40,W52,W58	1
4	16519	SEAL	OIL-W50,W60	1
5	23173	RETAINER	OIL SEAL TO BACKPLATE-W50	1
6- 1	24722	FLYWHEEL	WITH RING GEAR-W30	1
6- 2	24723	FLYWHEEL	WITH RING GEAR-W40	1
6- 3	24724	FLYWHEEL	WITH RING GEAR-W50	1
6- 4	24725	FLYWHEEL	WITH RING GEAR-W52,W58	1
6- 5	24726	FLYWHEEL	WITH RING GEAR-W60	1
7	23579	GEAR	RING	1
8- 1	24142	TABWASHER	W30	1
8- 2	14720	TABWASHER	W40	1
8- 3	13072	TABWASHER	W50,W60	1
8- 4	31166	TABWASHER	W52,W58	1
9- 1	24124	NUT	FLYWHEEL-W30	6
9- 2		BOLT	FLYWHEEL-W40-7/16NF X 1-1/8 GR-5	5
9- 3	31684	BOLT	FLYWHEEL-W50-7/16NF X 2 GR-5	5
9- 4	24411	BOLT	FLYWHEEL-W52,W58	6
9- 5	17727	BOLT	FLYWHEEL-W60	6
10- 1	11618	DAMPER	HYDRAULIC,HBW20,HBW220	1
10- 2	19398	DAMPER	HBW10,50,100,150,150V	1
10- 3	30940	DAMPER	BW7	1
11	24778	CAPSCREW	DAMPER TO FLYWHEEL	5
12	19039	DOWEL	HOUSING TO BACKPLATE	2
13- 1	23606	HOUSING	FLYWHEEL-MOUNT 18IN CENTERS	1
13- 2	32040	HOUSING	FLYWHEEL-MOUNT 22.5IN CENTERS	1
14- 1	32013	ISOLATOR	REAR-W30,W40,W50,W52	2
14- 2	11687	ISOLATOR	REAR-W58,W60	2
15	16762	MOTOR	STARTER INCLUDING SOLENOID	1
16	23338	SOLENOID	STARTER MOTOR	1
17	16502	WASHER	BRASS-SOLENOID BATTERY TERMINAL	1
18	16091	NUT	BRASS-SOLENOID BATTERY TERMINAL	1
19	21722	SPACER	BACKPLATE TO CIRCUIT BREAKER BRACKET	2
20	24065	BRACKET	CIRCUIT BREAKER	1

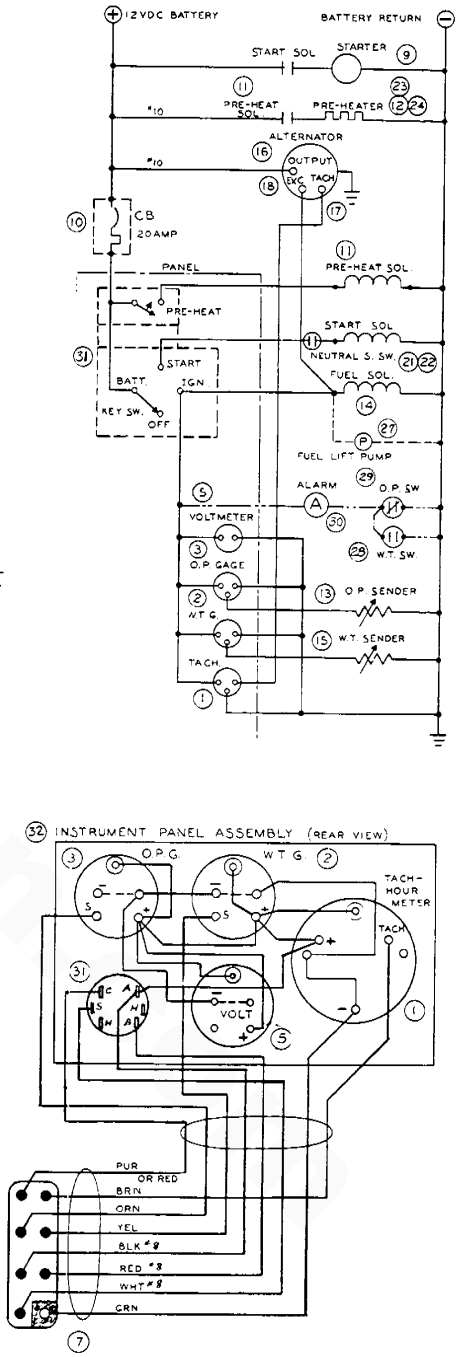


REF	PN	NAME	REMARKS	QUAN
21	31754	LOCKWASHER	3/8	3
22	31606	CAPSCREW	3/8NC X 1-1/4	3
23	31655	CAPSCREW	7/16NC X 1	6
24	31770	LOCKWASHER	7/16	6
25- 1	31267	ADAPTER	HBW10,50,100,150,BW7	1
25- 2	30063	ADAPTER	HBW150V	1
25- 3	31256	ADAPTER	HBW20,HBW220	1
25- 4	19309	ADAPTER	HBW10,50,100,150-TO NOV 81-NO DOWELS	1
26- 1	31788	LOCKWASHER	M 8 DIN 137B-HBW-BW	6
26- 2	31790	LOCKWASHER	M 10 DIN 137B-HBW150V	6
27- 1	20650	CAPSCREW	M 8 X 16 DIN 933-HBW10,50,100,150	6
27- 2	31452	CAPSCREW	M8 X 22 DIN 933-BW7	6
27- 3	13630	CAPSCREW	M 8 X 25 DIN 933-HBW20,HBW220	6
27- 4	13629	CAPSCREW	M 10 X 25 DIN 933-HBW150V	6
28	19039	DOWEL	ALIGN 31267 ADAPTER TO HOUSING	2

WIRING DIAGRAM

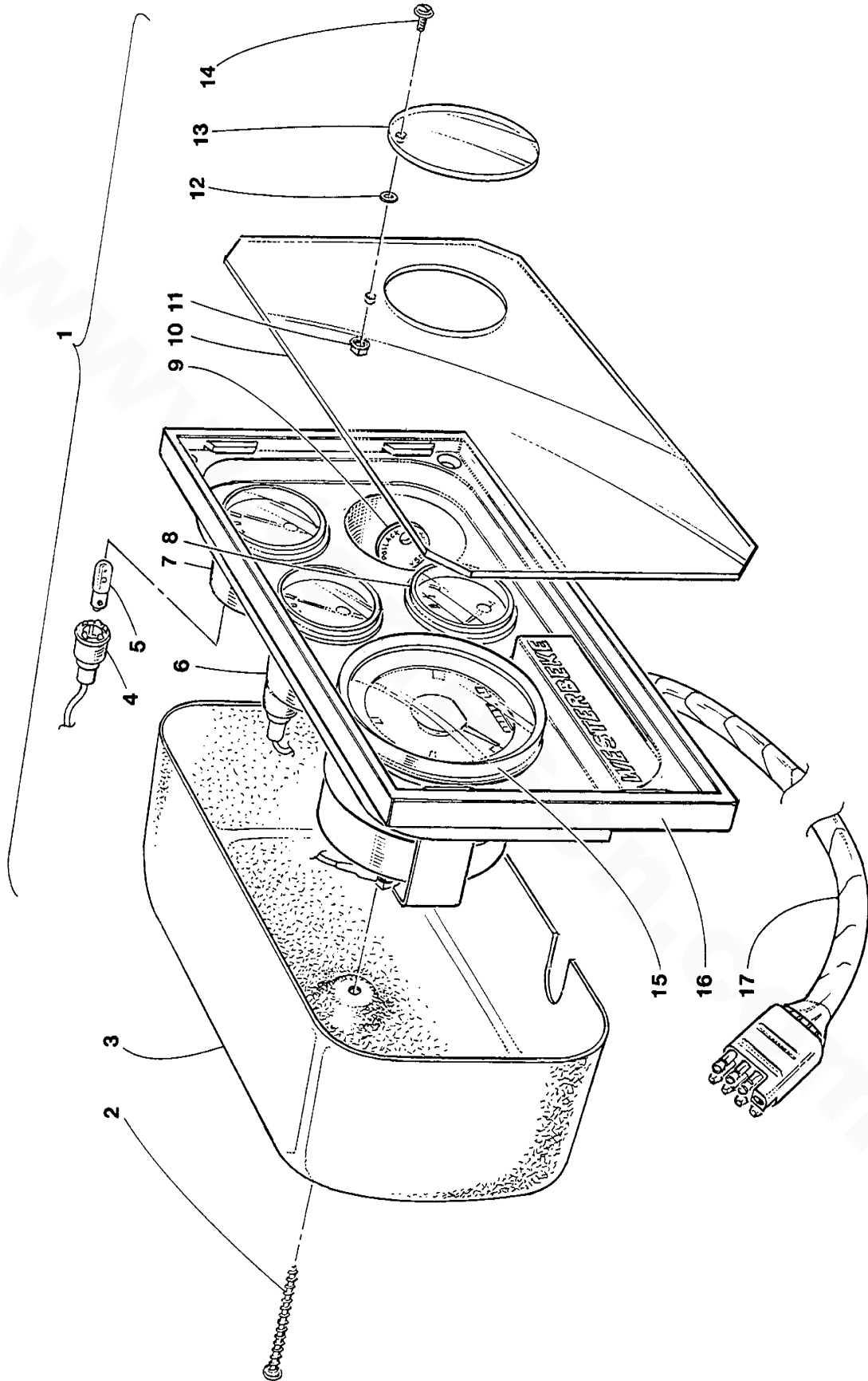


SCHEMATIC DIAGRAM



Engine parts from Torrsen Marine - www.torresen.com - 231-759-8596
 ELECTRICAL SYSTEM-MARINE ENGINE-ACTIVATION BY KEYSWITCH

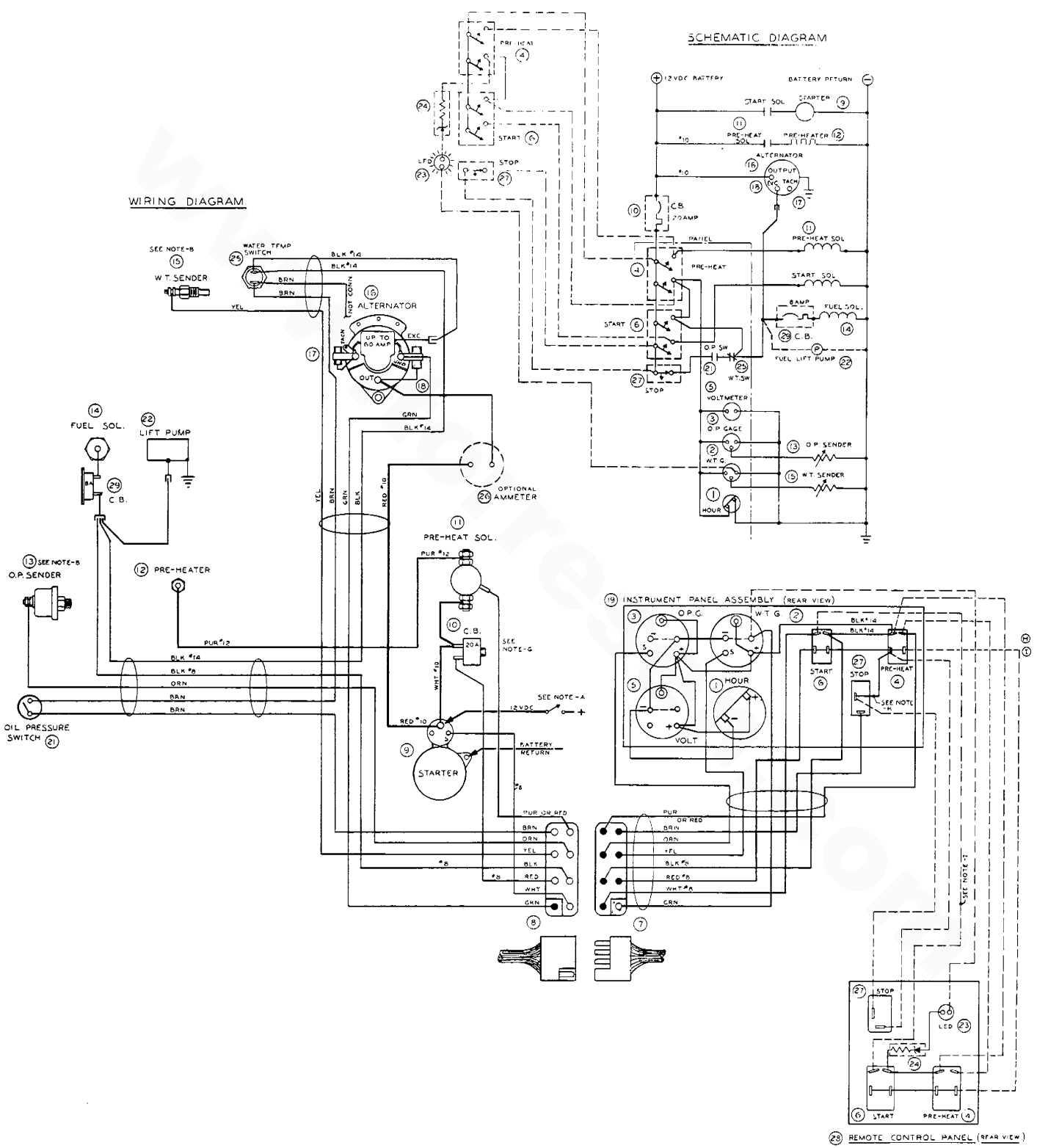
REF	PN	NAME	REMARKS	QUAN
1	11917	METER	TACHOMETER-HOURMETER	1
2	11545	GAUGE	WATER TEMPERATURE	1
3	24133	GAUGE	OIL PRESSURE 0-100 PSI	1
4- 1	11957	SWITCH	PUSHBUTTON PRE-HEAT	1
4- 2	19031	CAP	SWITCH PROTECTIVE COVER	1
5	23090	VOLTMETER	12VDC NEG GROUND	1
7	30148	CABLE	PANEL	1
8- 1	31127	HARNES	ENGINE WIRING-W30,W40,W50	1
8- 2	31128	HARNES	ENGINE WIRING-W52	1
8- 3	31129	HARNES	ENGINE WIRING-W58	1
9- 1	16762	MOTOR	STARTER	1
9- 2	23338	SOLENOID	START-FOR 16762 STARTER	1
10	24683	BREAKER	CIRCUIT-20 AMP	1
11	24639	SOLENOID	PRE-HEAT	1
12- 1	24353	GLOWPLUG	W58	4
12- 2	24354	STRAP	GLOWPLUG CONNECTING-W58	3
13	24132	SENDER	OIL PRESSURE 0-100 PSI	1
14	24338	SOLENOID	FUEL SHUT-OFF-W58	1
15	23571	SENDER	WATER TEMPERATURE 1/8 NPT	1
16- 1	24684	ALTERNATOR	55AMP NEG GROUND WITH REGULATOR	1
16- 2	11548	FULLEY	ALTERNATOR DRIVE	1
16- 3	24579	REGULATOR	55 AMP	1
16- 4	24580	GASKET	ALTERNATOR TO REGULATOR	1
16- 5	11677	ALTERNATOR	120AMP-12VDC	1
16- 6	11682	REGULATOR	120AMP	1
16- 7	23088	CABLE	REGULATOR 11682	1
16- 8	11675	CABLE	ALTERNATOR TO REGULATOR	1
16- 9	11676	RESISTOR	75 OHM	1
17	12959	KIT	ALTERNATOR MOD FOR ELEC TACHOMETER	1
18	11532	KIT	ALTERNATOR SUPPRESSION	1
21	23309	SWITCH	NEUTRAL SAFETY WARNER TRANSMISSION	1
22	23433	SWITCH	NEUTRAL SAFETY PARAGON TRANSMISSION P200	1
23	11530	PREHEATER	MANIFOLD W40	1
24- 1	14529	GLOWPLUG	W30,W50	4
24- 2	14494	WIRE	6LOWPLUG CONNECTING 4.25 LONG-W30,W50	AR
25	20654	SPLITTER	ALTERNATOR OUTPUT-OPTIONAL	1
26	11581	AMMETER	60-0-60-OPTIONAL	1
28	30125	SWITCH	WATER TEMPERATURE-NO-ALARM	1
29	30944	SWITCH	OIL PRESSURE-NC-ALARM	1
30	13355	ALARM	BUZZER	1
31	24777	KEYSWITCH	OFF-ON-START-PUSH TO PRE-HEAT	1
32	24880	PANEL	INSTRUMENT-COMPLETE	1
33	24751	PANEL	INSTRUMENT-PLATE ONLY	1



WESTERBEKE MARINE INSTRUMENT PANEL

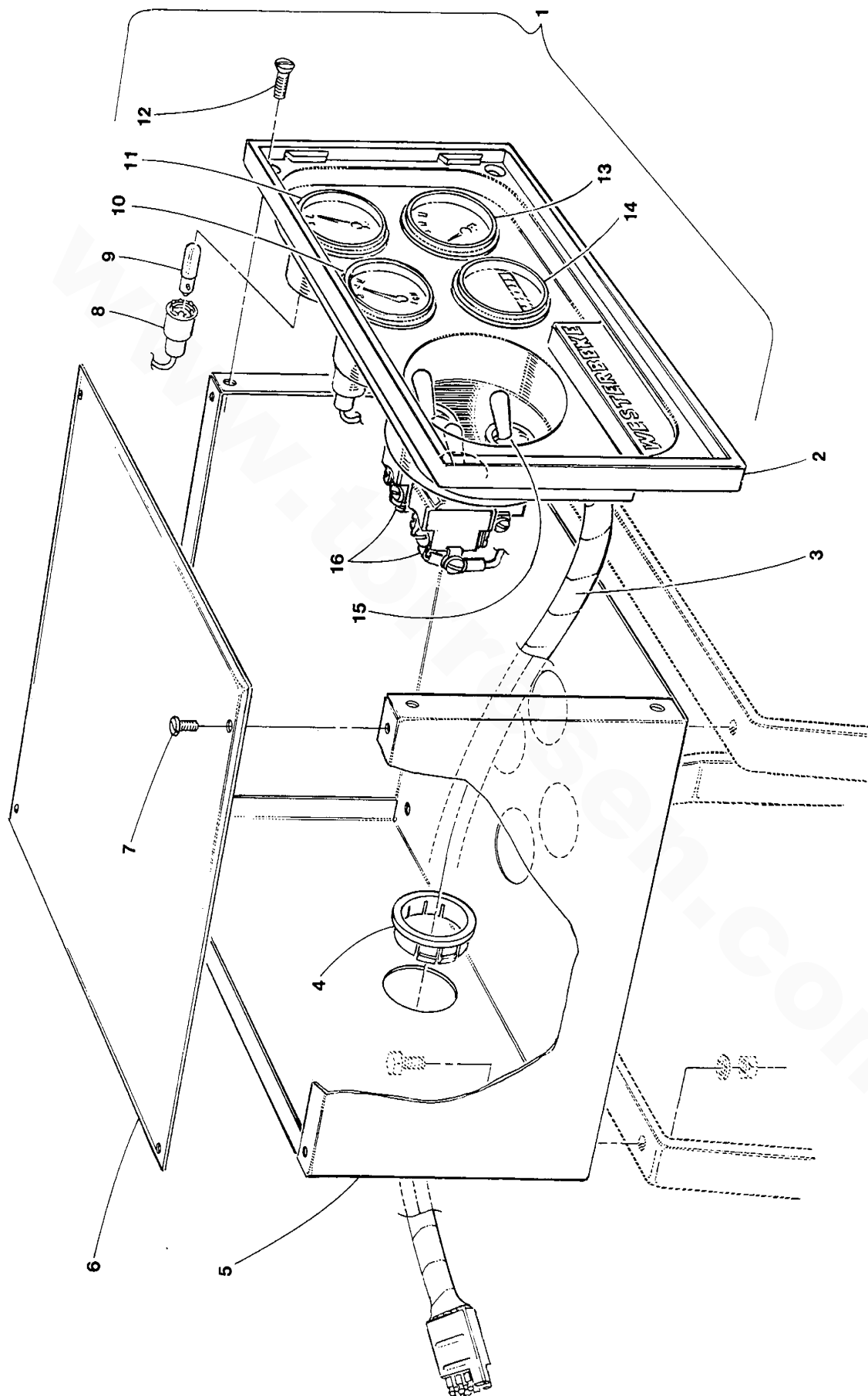
REF	PN	NAME	REMARKS	QUAN
1	24880	PANEL	INSTRUMENT-ASSEMBLY	1
2	30913	SCREW		1
3	30119	COVER	PANEL REAR	1
4	24946	HOLDER	LAMP	4
5	24947	LAMP	INSTRUMENT METERS	4
6	11545	METER	WATER TEMPERATURE	1
7	24133	METER	OIL PRESSURE 0-100 PSI	1
8	23090	VOLTMETER	12 VDC NEG GROUND	1
9	24777	SWITCH	KEY	1
10	24994	COVER	FACEPLATE WINDOW	1
11	30003	NUT	NYLON LOCKING 6-32	1
12	30002	SPACER	NYLON	1
13	24996	WINDOW	KEYSWITCH COVER	1
14	30001	SCREW	NYLON 6-32 X 1/2 WASHER HEAD	1
15	11917	METER	TACHOMETER-HOUR	1
16	24751	PANEL	FACEPLATE	1
17	30148	CABLE	PANEL TO ENGINE	1
18	24999	DRAWING	TEMPLATE TO INSTALL PANEL	1

www.torresen.com



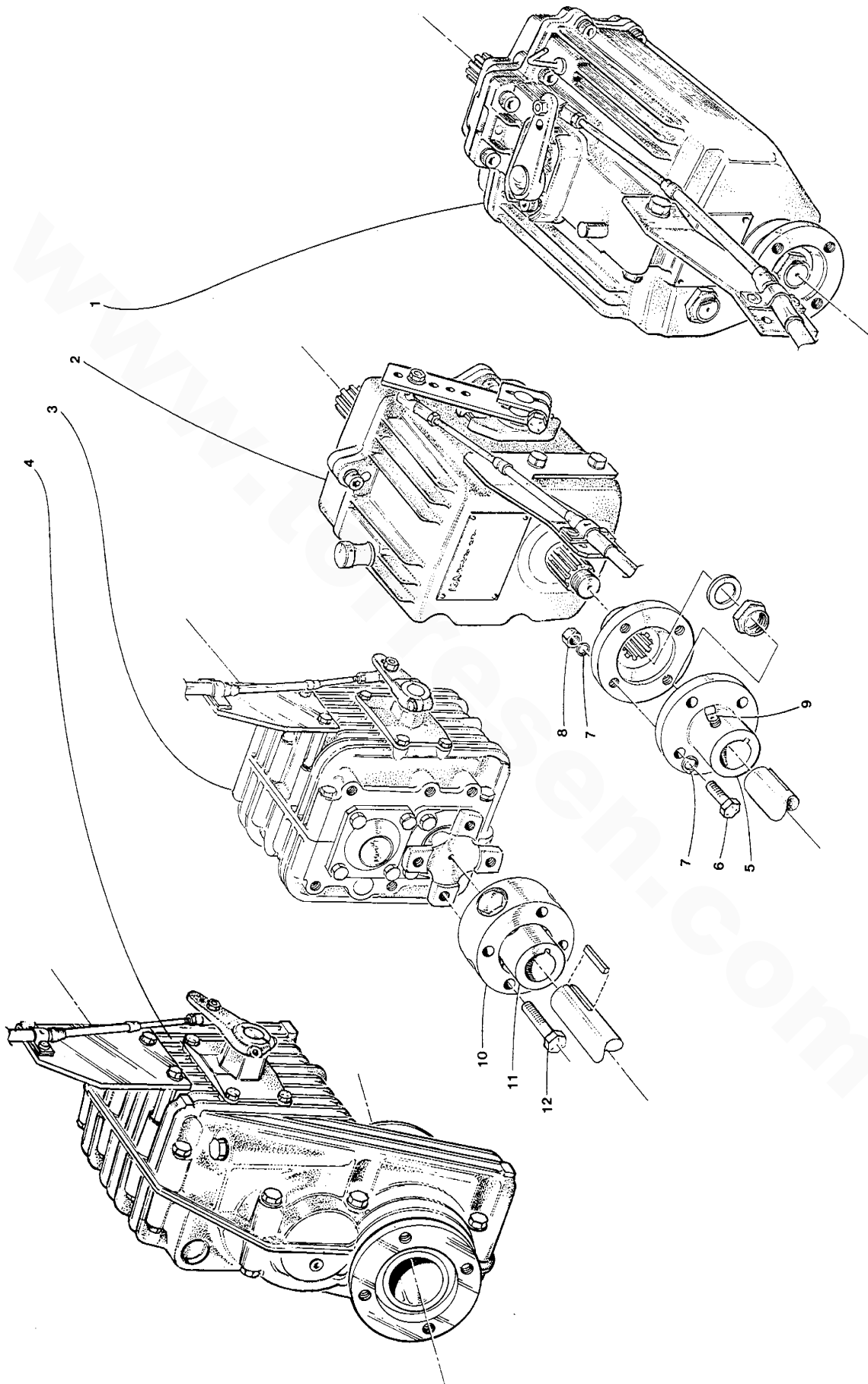
GENERATOR CONTROL-MANUAL START DISCONNECT-TOGGLE SWITCHES

REF	PN	NAME	REMARKS	QUAN
1	12892	METER	HOUR	1
2	11545	GAUGE	WATER TEMPERATURE	1
3	24133	GAUGE	OIL PRESSURE 0-100 PSI	1
4	24732	SWITCH	PRE-HEAT	1
5	23090	VOLTMETER	12VDC NEG GROUND	1
6	24732	SWITCH	START	1
7	30147	CABLE	PANEL	1
8- 1	31137	HARNESS	ENGINE-W52 15KW	1
8- 2	31138	HARNESS	ENGINE-W58 20KW	1
9- 1	23953	MOTOR	STARTER	1
9- 2	23338	SOLENOID	START-FOR 23953 STARTER	1
10	24683	BREAKER	CIRCUIT-20 AMP	1
11	24639	SOLENOID	PRE-HEAT	1
12- 1	24353	GLOWPLUG	W52 15KW-W58 20KW	4
12- 2	24354	STRAP	GLOWPLUG CONNECTING	3
13	24132	SENDER	OIL PRESSURE 0-100 PSI	1
14	24338	SOLENOID	FUEL SHUT-OFF-W52,W58	1
15	23571	SENDER	WATER TEMPERATURE 1/8 NPT	1
16- 1	24684	ALTERNATOR	55 AMP NEG GROUND WITH REGULATOR	1
16- 2	11548	PULLEY	ALTERNATOR DRIVE	1
16- 3	24579	REGULATOR		1
16- 4	24580	GASKET	ALTERNATOR TO REGULATOR	1
17	12959	KIT	ALTERNATOR MOD FOR ELEC TACHOMETER	1
18	11532	KIT	ALTERNATOR SUPPRESSION	1
19- 1	24873	PANEL	COMPLETE-15KW,20KW	1
19- 2	30781	PANEL	COMPLETE-15-20KW YD INCL VOLT REGULATOR	1
20	24751	PANEL	PLATE ONLY	1
21	11383	SWITCH	OIL PRESSURE-NO	1
22	24831	PUMP	ELECTRIC FUEL LIFT	1
23	15243	LED	REMOTE CONTROL PANEL	1
24- 1	13723	RESISTOR	REMOTE CONTROL PANEL	1
24- 2	13724	DIODE	REMOTE CONTROL PANEL	1
25	30096	SWITCH	WATER TEMPERATURE-NC	1
26	11581	AMMETER	60-0-60-OPTIONAL	1
27	24731	SWITCH	STOP	1
28- 1	24943	PANEL	REMOTE CONTROL-OPTIONAL	1
28- 2	24918	PLATE	REMOTE CONTROL PANEL	1
29	24762	BREAKER	CIRCUIT-8 AMP	1
50	24968	DECAL	GENERATOR OPERATING INSTRUCTIONS	1



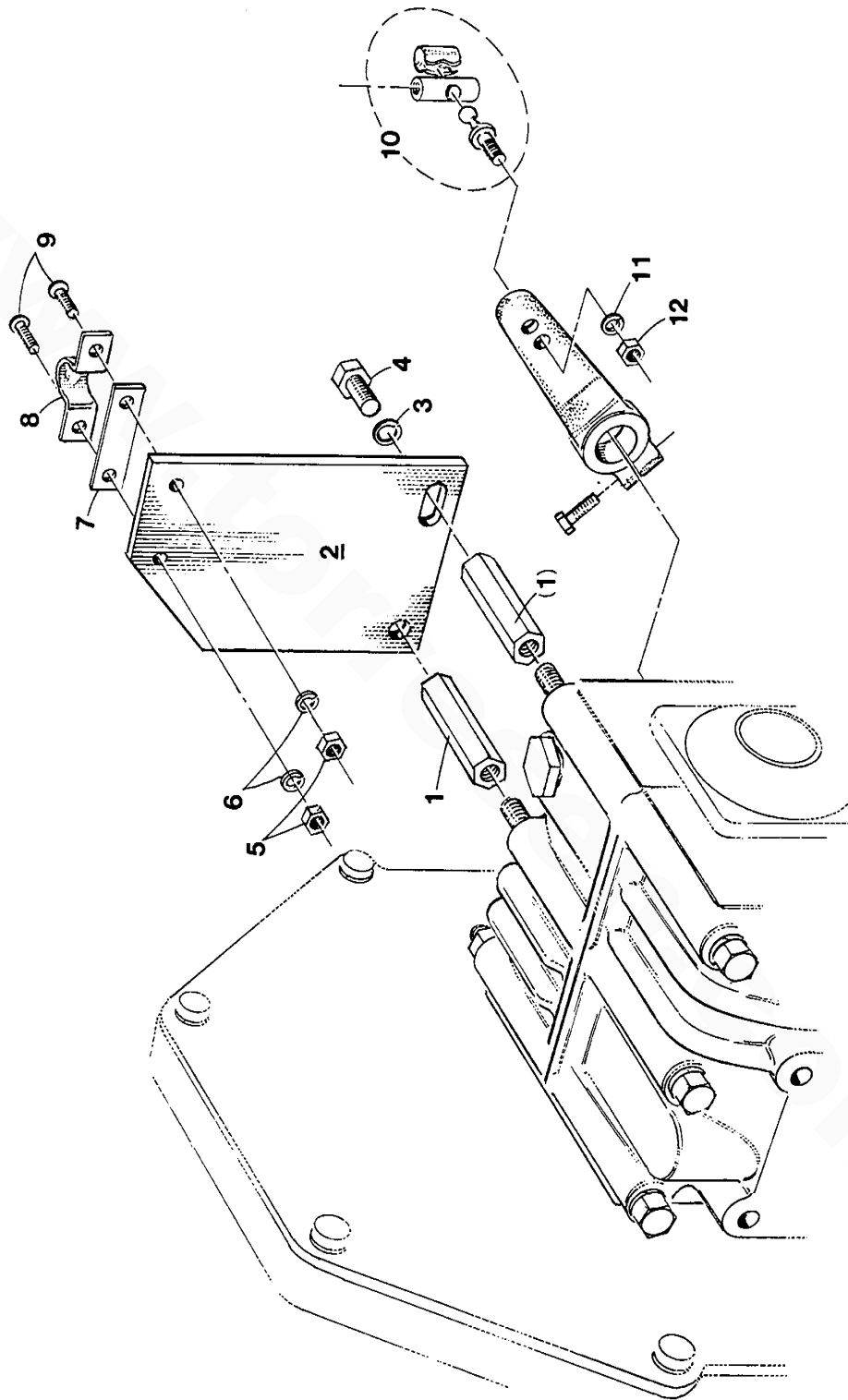
WESTERBEKE GENERATOR CONTROL PANEL

REF	PN	NAME	REMARKS	QUAN
1	24873	PANEL	ASSEMBLY INCLUDING BOX	1
2	24751	PANEL	FACEPLATE	1
3	30147	CABLE	PANEL TO ENGINE	1
4	23939	BUSHING	1-3/4 HOLE	3
5	24794	BOX	PANEL	1
6	24795	COVER	PANEL BOX	1
7		SCREW	8-32 X 3/8 RH SS	4
8	24946	HOLDER	LAMP	3
9	24947	LAMP	INSTRUMENT METERS	3
10	11545	METER	WATER TEMPERATURE	1
11	24133	METER	OIL PRESSURE 0-100 PSI	1
12		SCREW	8-32 X 3/8 OVAL HD SS	4
13	23090	VOLTMETER	12 VDC NEG GROUND	1
14	12892	METER	HOUR	1
15	24731	SWITCH	STOP	1
16	24732	SWITCH	START-PREHEAT	2
17	32031	COVER	PANEL BOX WHEN FACEPLATE REMOTE MOUNTED	1

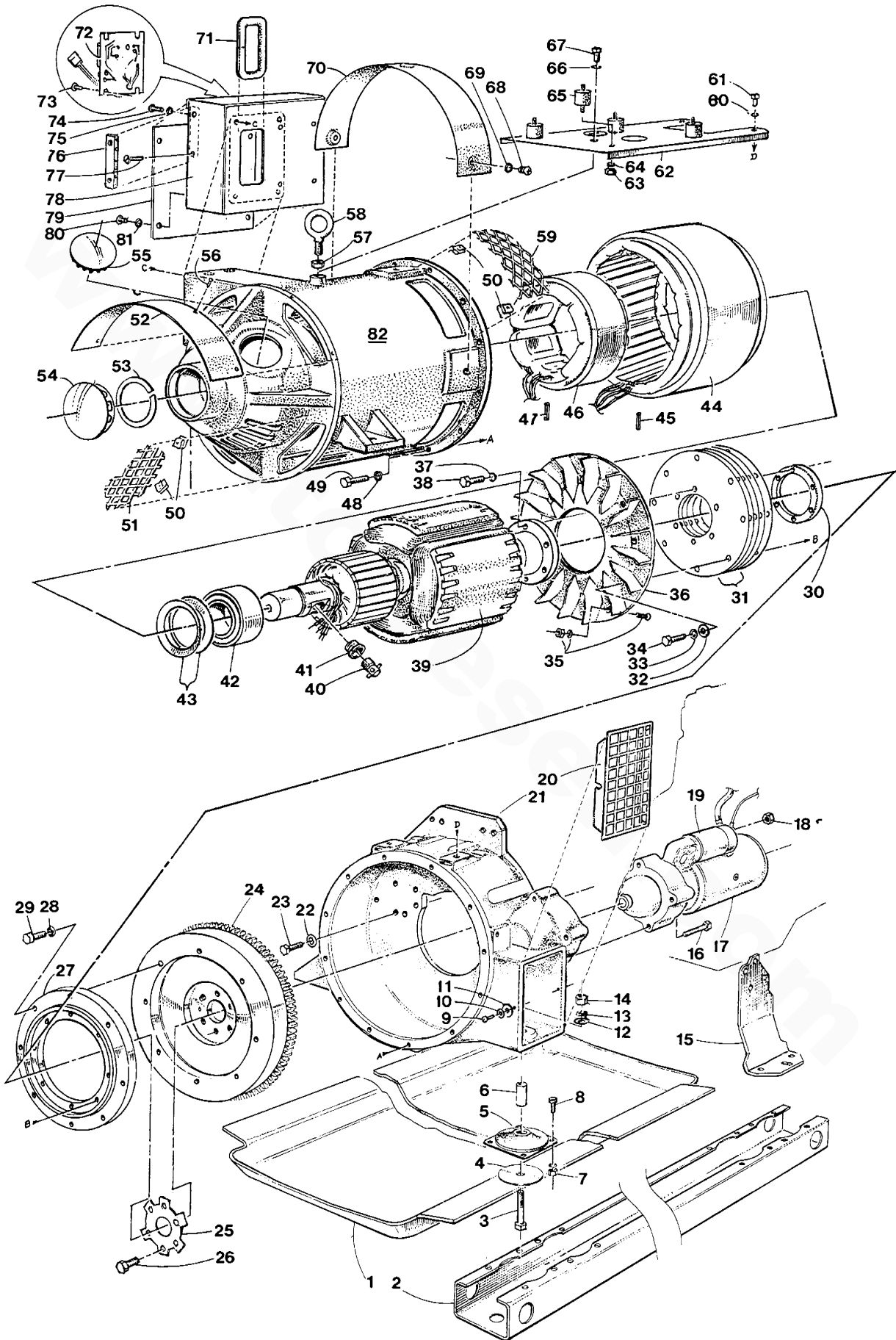


WESTERBEKE 58 - TRANSMISSION - COUPLING

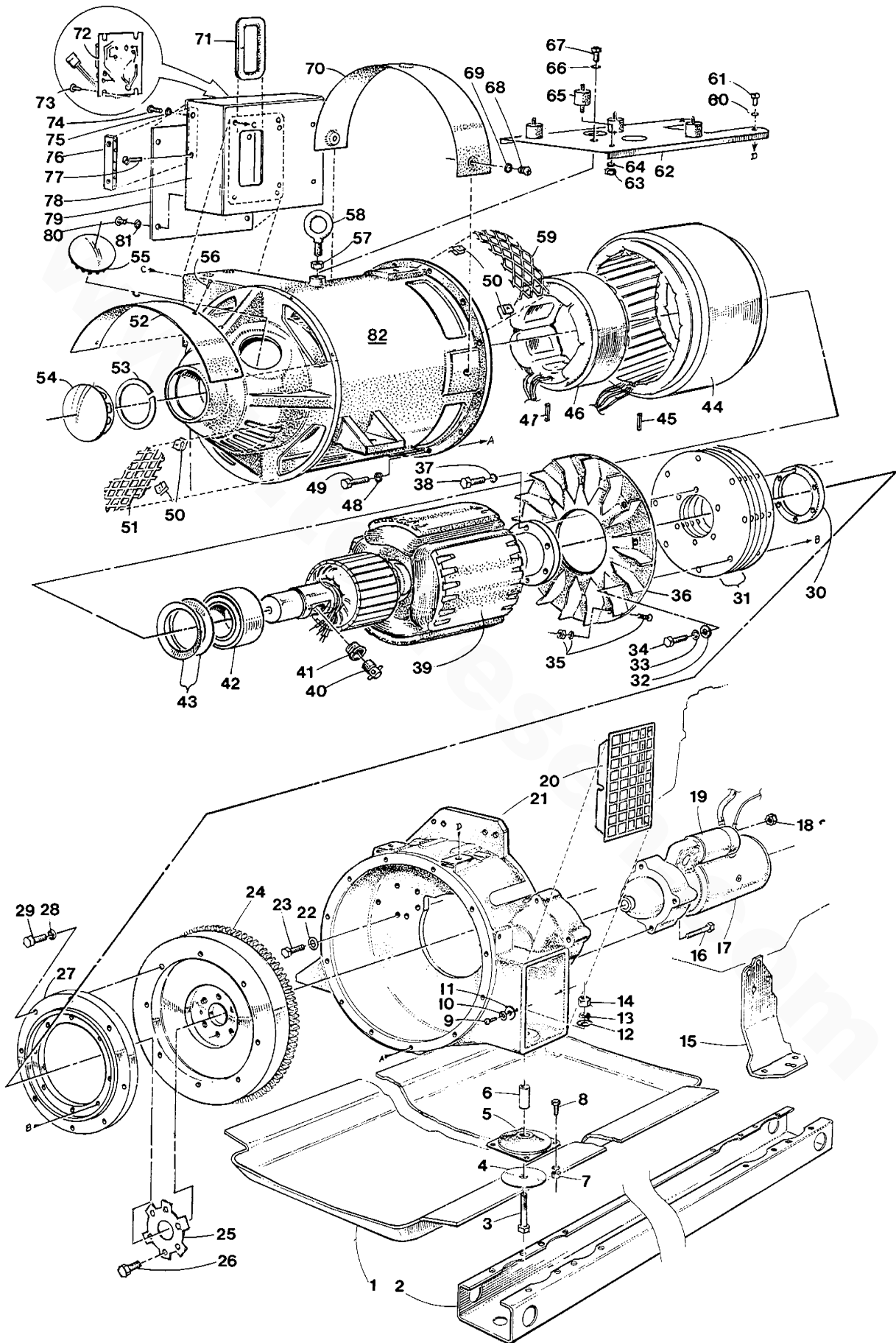
REF	PN	NAME	REMARKS	QUAN
3- 1	31248	FBW GEAR	MODEL 150 1.6 TO 1	1
3- 2	24631	FBW GEAR	MODEL 150 1.9 TO 1	1
3- 3	31252	FBW GEAR	MODEL 220 2.7 TO 1	1
4- 1	31249	HBW GEAR	V-DRIVE 1.8 TO 1	1
4- 2	30048	FBW GEAR	V-DRIVE 2.1 TO 1	1
5- 1	23679	COUPLING	BW-HBW-S1000-BORE 0.75	1
5- 2	23680	COUPLING	BW-HBW-S1000-BORE 0.875	1
5- 3	23681	COUPLING	BW-HBW-S1000-BORE 1.0	1
5- 4	23682	COUPLING	BW-HBW-S1000-BORE 1.125	1
5- 5	23683	COUPLING	BW-HBW-S1000-BORE 1.25	1
5- 6	23684	COUPLING	BW-HBW-S1000-BORE 1.375	1
5- 7	23685	COUPLING	BW-HBW-S1000-BORE 1.5	1
5- 8	23706	COUPLING	HBW V-DRIVE-BORE 0.75	1
5- 9	23707	COUPLING	HBW V-DRIVE-BORE 0.875	1
5-10	23708	COUPLING	HBW V-DRIVE-BORE 1.0	1
5-11	23709	COUPLING	HBW V-DRIVE-BORE 1.125	1
5-12	23710	COUPLING	HBW V-DRIVE-BORE 1.25	1
5-13	23711	COUPLING	HBW V-DRIVE-BORE 1.375	1
5-14	23712	COUPLING	HBW V-DRIVE-BORE 1.5	1
5-15	23686	COUPLING	WARNER HYDRAULIC 5IN FLANGE-BORE 1.0	1
5-16	23687	COUPLING	WARNER HYDRAULIC 5IN FLANGE-BORE 1.125	1
5-17	23688	COUPLING	WARNER HYDRAULIC 5IN FLANGE-BORE 1.25	1
5-18	23689	COUPLING	WARNER HYDRAULIC 5IN FLANGE-BORE 1.375	1
5-19	23690	COUPLING	WARNER HYDRAULIC 5IN FLANGE-BORE 1.5	1
6- 1	31606	CAPSCREW	3/8NC X 1-1/4	4
6- 2	18813	CAPSCREW	M10 X 20 DIN 933-HBW V-DRIVE	4
7- 1	31764	LOCKWASHER	3/8	8
7- 2	31790	LOCKWASHER	M10 DIN 137B-HBW V-DRIVE	4
8	31762	NUT	3/8NC	4
9- 1	23450	SETSCREW	COUPLING 7/16NC X 1	2
9- 2	23651	SETSCREW	COUPLING 3/8NC X 3/4	2
9- 3	23652	SETSCREW	COUPLING 3/8NC X 1	2
10- 1	11877	FLANGE	FLEXIBLE COUPLING-BW-HBW-WARNER 4IN	1
10- 2	12882	FLANGE	FLEXIBLE COUPLING-WARNER 5IN	1
11- 1	11878	HUB	FLEXIBLE COUPLING-BORE 0.875	1
11- 2	11879	HUB	FLEXIBLE COUPLING-BORE 1.0	1
11- 3	11880	HUB	FLEXIBLE COUPLING-BORE 1.125	1
11- 4	11881	HUB	FLEXIBLE COUPLING-BORE 1.25	1
11- 5	11882	HUB	FLEXIBLE COUPLING-BORE 1.375	1
11- 6	11883	HUB	FLEXIBLE COUPLING-BORE 1.5	1
11- 7	23064	HUB	FLEXIBLE COUPLING-BORE 1.0-5IN FLANGE	1
11- 8	19193	HUB	FLEXIBLE COUPLING-BORE 1.25-5IN FLANGE	1
11- 9	19194	HUB	FLEXIBLE COUPLING-BORE 1.375-5IN FLANGE	1
11-10	19195	HUB	FLEXIBLE COUPLING-BORE 1.5-5IN FLANGE	1
12	31612	CAPSCREW	3/8NC X 2-3/4	4
		NOTE	SEE NEXT PAGE FOR SHIFTING BRACKET	



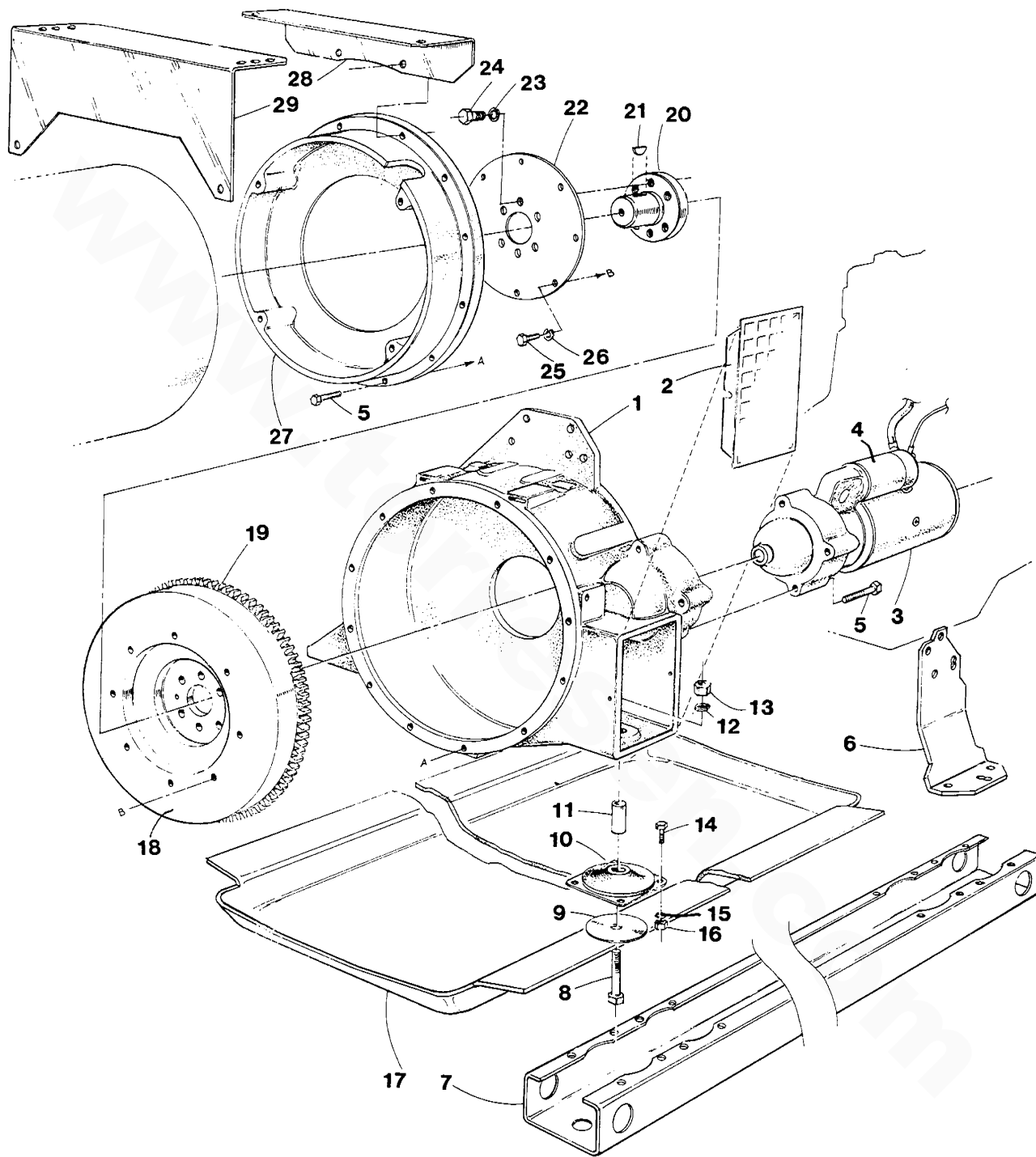
REF	PN	NAME	REMARKS	QUAN
1	30756	NUT	PILLAR-M8	2
2	30181	BRACKET	MOUNT SHIFTING CABLE TO HBW GEARS	1
3	31786	LOCKWASHER	M8 DIN 127	2
4	13630	CAPSCREW	M8 X 25 DIN 933	2
5		NUT	10-32	2
6		LOCKWASHER	10	2
7	13870	SHIM	CABLE CLAMP	1
8	13325	CLAMP	CABLE	1
9		SCREW	10-32 X 5/8	2
10	19364	BALL JOINT		1
11		LOCKWASHER	10	1
12		NUT	10-32	1



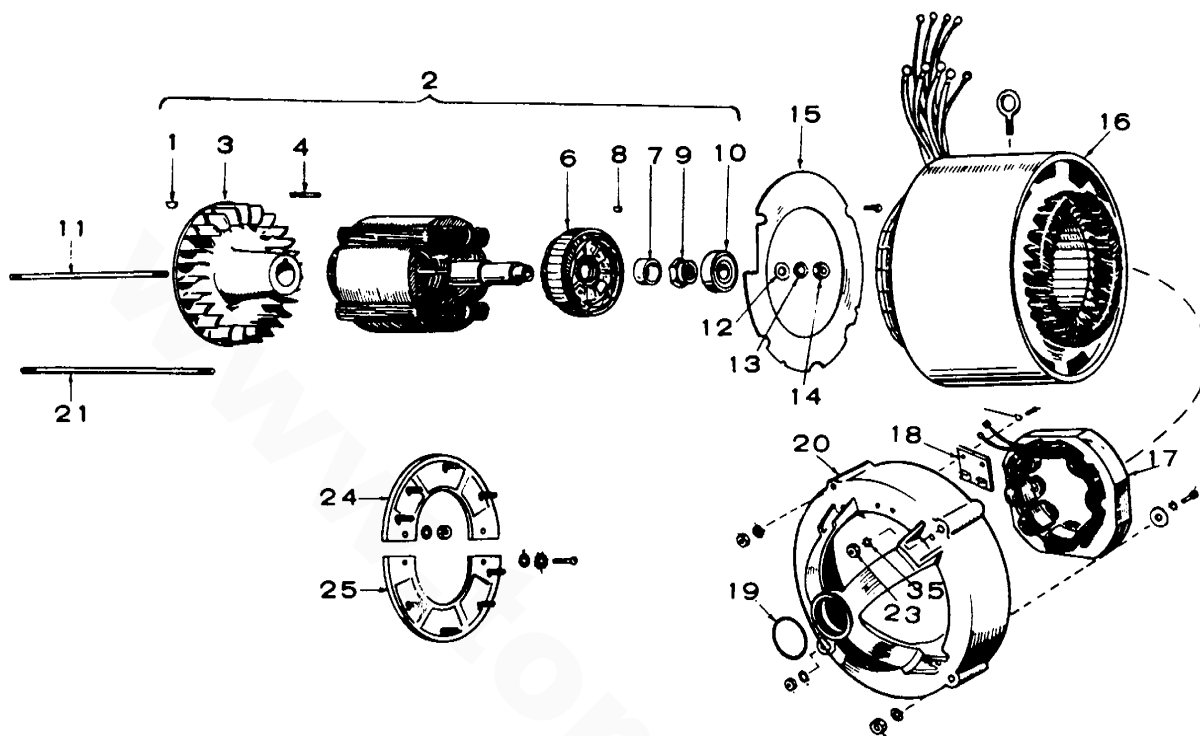
REF	PN	NAME	REMARKS	QUAN
1	24675	CRIPTRAY		1
2	24701	RAIL		2
3- 1	31714	CAPSCREW	FRONT 1/2NC X 3-1/4	2
3- 2	31721	CAPSCREW	REAR 1/2NC X 5	2
4	24674	WASHER	SNUBBING	4
5- 1	21529	ISOLATOR	FRONT	2
5- 2	15239	ISOLATOR	REAR	2
6	16714	SPACER	ISOLATOR TO MOUNT	4
7	31756	NUT	5/16NC	16
8	31553	CAPSCREW	5/16NC X 3/4	16
9		SCREW	10-32 X 1/2	2
10		LOCKWASHER	10	2
11		WASHER	FLAT 10	2
12	31777	WASHER	FLAT 1/2	2
13	31776	LOCKWASHER	1/2	4
14	31774	NUT	1/2NC	4
15- 1	24703	MOUNT	FRONT-RIGHT 15KW	1
15- 2	30134	MOUNT	FRONT-LEFT 15KW	1
15- 3	24703	MOUNT	FRONT 20KW	2
16	31606	CAPSCREW	3/8NC X 1-1/4	3
17	23953	MOTOR	STARTER INCLUDING SOLENOID	1
18	16091	NUT	3/8NC JAM BRASS	1
19	23338	SOLENOID	STARTER MOTOR	1
20	24783	GUARD	AIR DUCT	1
21	24257	HOUSING	FLYWHEEL	1
22	31764	LOCKWASHER	3/8	8
23	31630	CAPSCREW	3/8NC X 1-3/4	8
24	24728	FLYWHEEL	WITH RING GEAR	1
25	31166	TABWASHER		1
26	24411	BOLT	FLYWHEEL	6
27	32244	ADAPTER	FLYWHEEL TO GENERATOR DRIVE DISC	1
28	31764	LOCKWASHER	3/8	8
29	31608	CAPSCREW	3/8NC X 1-3/4	8
30	32245	RING	CLAMPING	1
31	32246	DISC	DRIVE	5
32	31759	WASHER	FLAT 5/16	8
33	31758	LOCKWASHER	5/16	8
34	31556	CAPSCREW	5/16NC X 1-1/4	8
35- 1		NOTE	SCREW-WASHERS-NUT ARE PART OF FACTORY	
35- 2			BALANCING-DO NOT REMOVE	
36	32247	FAN		1
37	31758	LOCKWASHER	5/16	6
38	31556	CAPSCREW	5/16NC X 1 1/4	6
39	32238	ROTOR		1
40	32242	RECTIFIER	BRIDGE	1
42	32243	BEARING		1
43	32233	WASHER	BELLEVILLE	2
44	32236	STATOR		1
45	32186	FIN	SPRING	1



REF	PN	NAME	REMARKS	QUAN
46	32237	STATOR	EXCITER	1
47	32186	FIN	SPRING	1
48	31764	LOCKWASHER	3/8	12
49	31606	CAPSCREW	3/8NC X 1-1/4	12
50	32185	CLIP	SCREEN RETAINING	16
51	32250	SCREEN	INLET AIR	4
52	32253	SHROUD	INLET AIR	1
53	32241	RING	RETAINING	1
54	32232	FLUG	BUTTON 3 DIA	1
55	32231	PLUG	BUTTON 2-1/4 DIA	1
56	32188	SCREW	DRIVE	4
57	31762	NUT	3/8NC	1
58	32234	EYEBOLT		1
59	32249	SCREEN	EXHAUST AIR	4
60	31758	LOCKWASHER	5/16	2
61	31553	CAPSCREW	5/16NX X 3/4	2
62	31167	BRACKET	PANEL MOUNT	1
63	31750	NUT	1/4NC	8
64	31752	LOCKWASHER	1/4	8
65	19024	ISOLATOR	PANEL MOUNT	4
66	31764	LOCKWASHER	3/8	1
67	31603	CAPSCREW	3/8NC X 3/4	1
68		SCREW	1/4NC X 1/2	3
69	31752	LOCKWASHER	1/4	3
70	32251	SHROUD	EXHAUST AIR	1
71	32252	GROMMET	BOX TO HOUSING	1
72	32240	REGULATOR	VOLTAGE	1
73	32187	STANDOFF	VOLTAGE REGULATOR MOUNT	4
74		SCREW	1/4NC X 1/2	4
75	31752	LOCKWASHER	1/4	4
76	32248	BLOCK	TERMINAL, NEUTRAL-GROUND	1
77		SCREW	1/4NF X 7/8	2
78	32239	BOX		1
79		COVER	INCL IN REF 52	
80		SCREW	10-32	4
81		LOCKWASHER	10	4
82- 1	30875	GENERATOR		1
82- 2	32235	HOUSING	STATOR	1



REF	PN	NAME	REMARKS	QUAN
1	24257	HOUSING	FLYWHEEL-SAE-4	1
2	24783	GUARD	AIR DUCT	1
3	23953	MOTOR	STARTER INCLUDING SOLENOID	1
4	23338	SOLENOID	STARTER MOTOR	1
5	31606	CAPSCREW	3/8NC X 1-1/4 WITH LOCKWASHER	15
6	24703	MOUNT	FRONT	2
7	24701	RAIL	MOUNTING	2
8- 1	31717	CAPSCREW	REAR-WTO 1/2NC X 4	2
8- 2	31715	CAPSCREW	REAR-WPO 1/2NC X 3-1/2	2
8- 3	31713	CAPSCREW	FRONT-WTO 1/2NC X 3	2
8- 4	31711	CAPSCREW	FRONT-WPO 1/2NC X 2-1/2	2
9	24674	WASHER	ISOLATOR CAPTIVATING	4
10- 1	21529	ISOLATOR	FRONT	2
10- 2	15239	ISOLATOR	REAR	2
11	16714	SPACER	WTO MOUNTS	4
12- 1	31777	WASHER	FLAT 1/2	4
12- 2	31776	LOCKWASHER	1/2	4
13	31774	NUT	1/2NC	4
14	31553	CAPSCREW	5/16NC X 3/4	16
15- 1	31759	WASHER	FLAT 5/16	16
15- 2	31758	LOCKWASHER	5/16	16
16	31756	NUT	5/16NC	16
17	24675	TRAY	DRIP	1
18- 1	24728	FLYWHEEL	WITH RING GEAR-WTO	1
18- 2	24727	FLYWHEEL	WITH RING GEAR-WPO	1
19	23579	GEAR	RING	1
20	20944	COUPLING	DRIVE	1
21	21804	KEY	WOODRUFF	1
22	12004	PLATE	DRIVE DISC	1
23	31770	LOCKWASHER	7/16	6
24	31678	CAPSCREW	7/16NF X 3/4	6
25	31553	CAPSCREW	5/16NC X 3/4	8
26	31758	LOCKWASHER	5/16	8
27	23838	ADAPTER	YD ALTERNATOR TO HOUSING	1
28	24679	BRACKET	CONTROL PANEL MOUNT-FRONT	1
29	24699	BRACKET	CONTROL PANEL MOUNT-REAR	1
30- 1	31166	TABWASHER	FLYWHEEL-WTO	1
30- 2	14720	TABWASHER	FLYWHEEL-WPO	1
31- 1	24411	BOLT	FLYWHEEL-WTO	6
31- 2		BOLT	FLYWHEEL-WPO-7/16NF X 1-1/8 GR-5	5



20 KW GENERATOR-EXCITER-YD SERIES

REF	PN	NAME	REMARKS	QUAN
1	21804	KEY	ENGINE DRIVE ADAPTER	1
2	21784	ROTOR	ASSEMBLY	1
3	21793	FAN		1
4	21794	KEY	FAN	1
6	21791	EXCITER	ROTOR INCLUDING DIODES AND HEAT SINKS	1
7	22382	SPACER	BEARING	1
8	21792	KEY	EXCITER ROTOR	1
9	22383	NUT	LOCKING WITH NYLON INSERT	1
10	21789	BEARING	ROTOR	1
11	22938	STUD	ROTOR THROUGH	1
12	22394	WASHER	CONE SHAPPED	1
15	22385	BAFFLE	AIR	1
16	22381	STATOR	ASSEMBLY 20KW,60HZ,1PH	1
17	21798	EXCITER	STATOR	1
18	21806	BOARD	CONNECTION	1
19	21800	C-RING	BEARING SEAL	1
20	22386	BELL	END	1
21	22391	STUD	ALTERNATOR THROUGH	4
24	21795	DIODE	ASSEMBLY POSITIVE WITH HEAT SINK	1
25	21796	DIODE	ASSEMBLY NEGATIVE WITH HEAT SINK	1
30	20916	GENERATOR	COMPLETE YD SERIES 20KW,60HZ,1PH	1
40	21808	BREAKER	CIRCUIT 3 AMP	1
41	21799	BOARD	VOLTAGE REGULATOR ASSEMBLY	1
42	22399	ELOCK	TERMINAL	1
43	21809	TRANSFORMR	VOLTAGE	1
44	21810	REACTOR		1

REF	PN	NAME	REMARKS	QUAN
1- 1	24572	KIT A	SPARE PARTS	1
1- 2	24573	KIT B	SPARE PARTS-EXTENDED CRUISING	1
2- 1	24575	GASKET	SET-UPPER	1
2- 2	24576	GASKET	SET-COMPLETE	1
3	11592	PUMP	HAND-TO PUMP LUBE OIL FROM SUMP	1
4- 1	24993	FILTER	PRIMARY FUEL	1
4- 2	22266	SEPARATOR	WATER-FUEL	1
5	13174	MUFFLER	HYDRO-HUSH WATER LIFT	1
6	15010	STRAINER	SEA WATER	1
7	24177	KIT	REMOTE FRESH WATER SURGE	1
8- 1	17232	KIT	MORSE CABLE CONNECTING-PARAGON HYDRAULIC	1
8- 2	17252	KIT	MORSE CABLE CONNECTING-WARNER HYDRAULIC	1
9	13758	PAINT	RED-AEROSOL SPRAY CAN	1
10	12169	LINE	FLEXIBLE EXHAUST 1-1/2 X 12	1
13- 1	23792	FULLEY	ACCESSORY CRANKSHAFT 3 GROOVE 5IN	1
13- 2	23790	FULLEY	ACCESSORY CRANKSHAFT 2 GROOVE 6IN	1
13- 3	23784	PULLEY	ACCESSORY CRANKSHAFT 2 GROOVE 7IN	1
13- 4	23478	PULLEY	ACCESSORY CRANKSHAFT 1 GROOVE 9IN	1
14	21513	FILTER	REMOTE LUBE OIL	1
15	20654	SPLITTER	ALTERNATOR OUTPUT	1
16	30760	FARNES	15 FOOT PANEL EXTENSION	1
17- 1	32010	SWITCH	GENERATOR SHIP-SHORE-20KW-3 WIRE	1
17- 2	32133	SWITCH	GENERATOR SHIP-SHORE-20KW-2 WIRE	1
18- 1	24828	BRACKET	EXTRA 55AMP ALTERNATOR	1
18- 2	13859	BELT	EXTRA 55AMP ALTERNATOR	1

www.torresen.com