

PARTS LIST

MARINE GASOLINE GENERATOR

3.0 BPMG

PUBLICATION NO. NA
Preliminary Copy Do Not Distribute
May 2007



WESTERBEKE CORPORATION
150 JOHN HANCOCK ROAD
TAUNTON, MA 02780-7319 U.S.A.
WWW.WESTERBEKE.COM

Parts List

Westerbeke

3.0 BPMG



Westerbeke Corporation
Myles Standish Industrial Park
150 John Hancock Rd.
Taunton, MA 02780-7319
www.westerbeke.com

IMPORTANT

Product Software Disclaimer

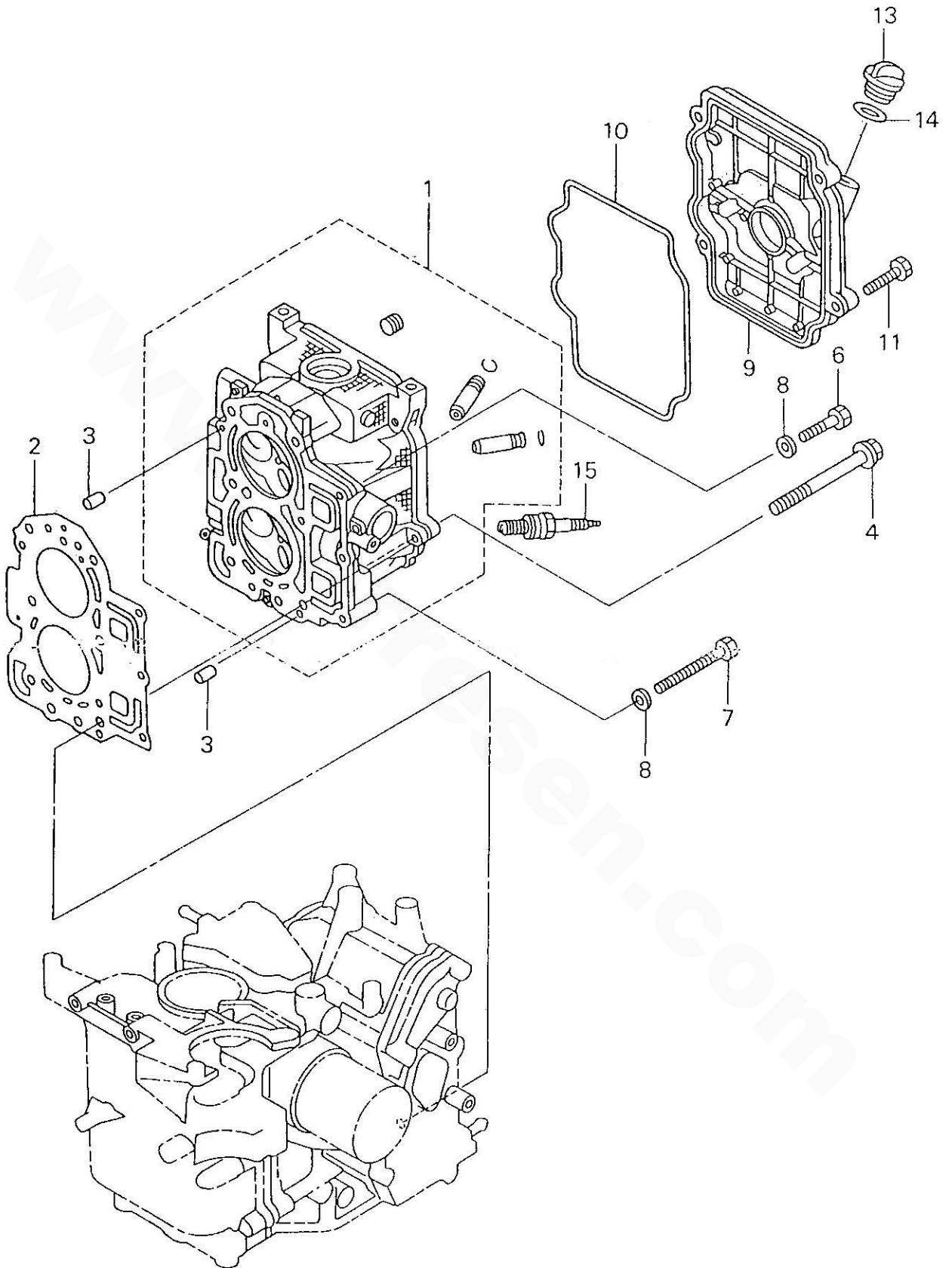
Product software of all kinds, such as brochures, drawing, technical data, operator's and workshop manuals, parts lists and parts price lists, and other information, instructions and specifications provided from sources other than Westerbeke, is not within Westerbeke's control and; accordingly, is provided to Westerbeke customers only as a courtesy and service. Westerbeke cannot be responsible for the content of such software, makes no warranties or representations with respect thereto, including the accuracy, timeliness or completeness thereof, and will in no event be liable for any type of damages or injury incurred in connection with, or arising out of, the furnishing or use of such software.

For example, components and subassemblies incorporated in Westerbeke's products and supplied by others (such as engine blocks, fuel systems and components, transmissions, electrical components, pumps and other products) are generally supported by their manufacturers with their own software, and Westerbeke must depend on such software for the design of Westerbeke's own product software. Such software may be outdated and no longer accurate. Routine changes made by Westerbeke's suppliers, of which Westerbeke rarely has notice in advance, are frequently not reflected in the supplier's software until after such changes take place.

Westerbeke customers should also keep in mind the time span between printings of Westerbeke product software and the unavoidable existence of earlier, non-current, Westerbeke software editions in the field. Additionally, most Westerbeke products include customer-requested special features that frequently do not include complete documentation.

In summation, product software provided with Westerbeke products, whether from Westerbeke or other suppliers, must not and cannot be relied upon exclusively as the definitive authority on the respective product. It not only makes good sense but is imperative that appropriate representatives of Westerbeke or the supplier in question be consulted to determine the accuracy and currency of the product software being consulted by the customer.

WESTERBEKE 3.0 BPMG GENERATOR - CYLINDER HEAD

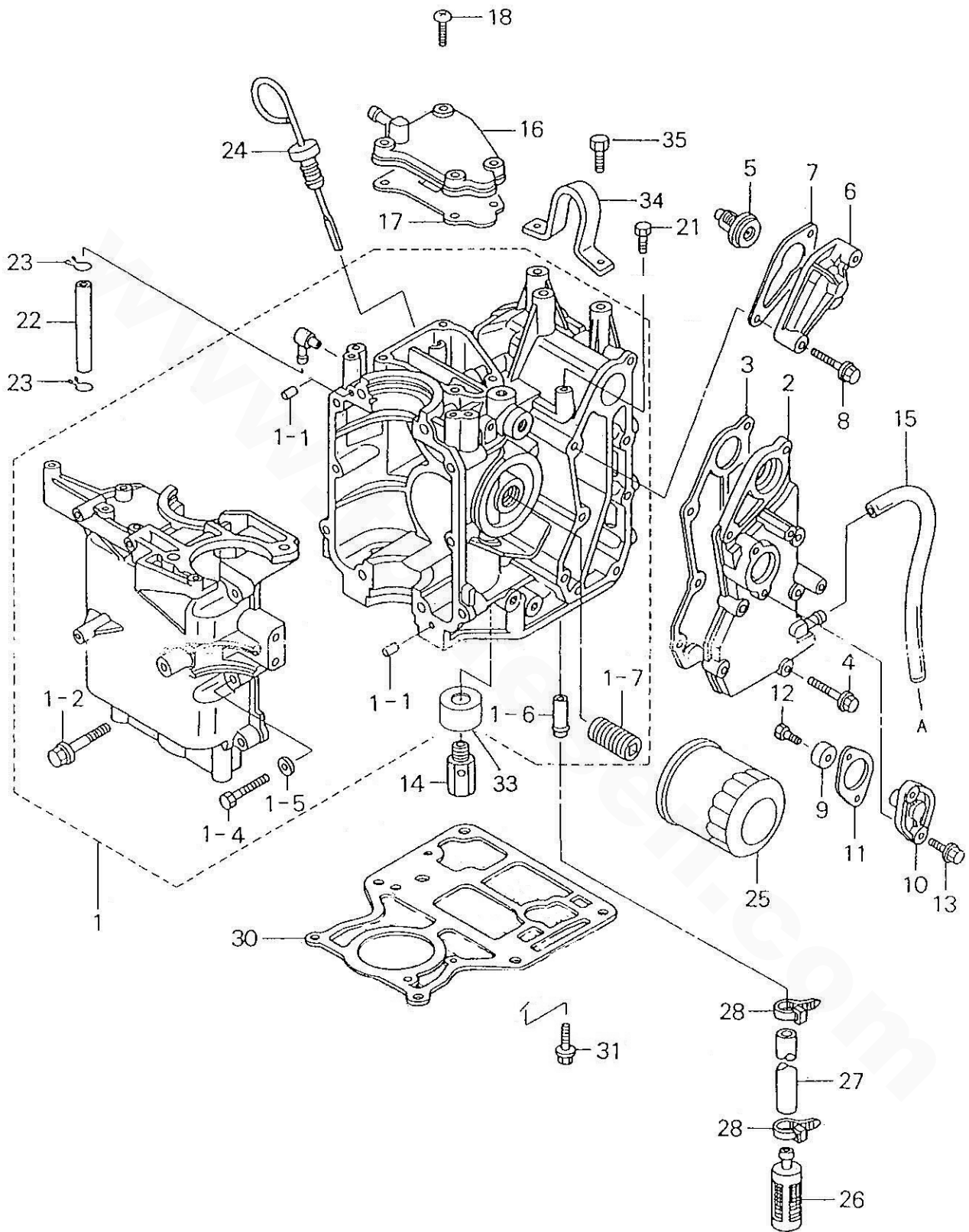


P100

WESTERBEKE 3.0 BPMG GENERATOR - CYLINDER HEAD

REF	PN	NAME / REMARKS	QUAN
1	048833	HEAD,CYLINDER 3.0 BPMG	1
2	048153	GASKET,HEAD 3.0 BPMG	1
3	048899	DOWEL,TUBULAR 3.0 BPMG	2
4	048835	BOLT,CYLINDER HEAD 3.0 BPMG	6
5	NA		
6	NA		
7	NA		
8	NA		
9	048836	COVER,CYLINDER HEAD 3.0 BPMG	1
10	048163	GASKET,HEAD COVER 3.0 BPMG	1
11	NA		
12	NA		
13	048162	CAP,OIL FILL 3.0 BPMG	1
14	048169	O-RING,OIL FILL CAP 3.0 BPMG	1
15	045352	SPARKPLUG 3.0 BPMG	2

WESTERBEKE 3.0 BPMG GENERATOR - CYLINDER

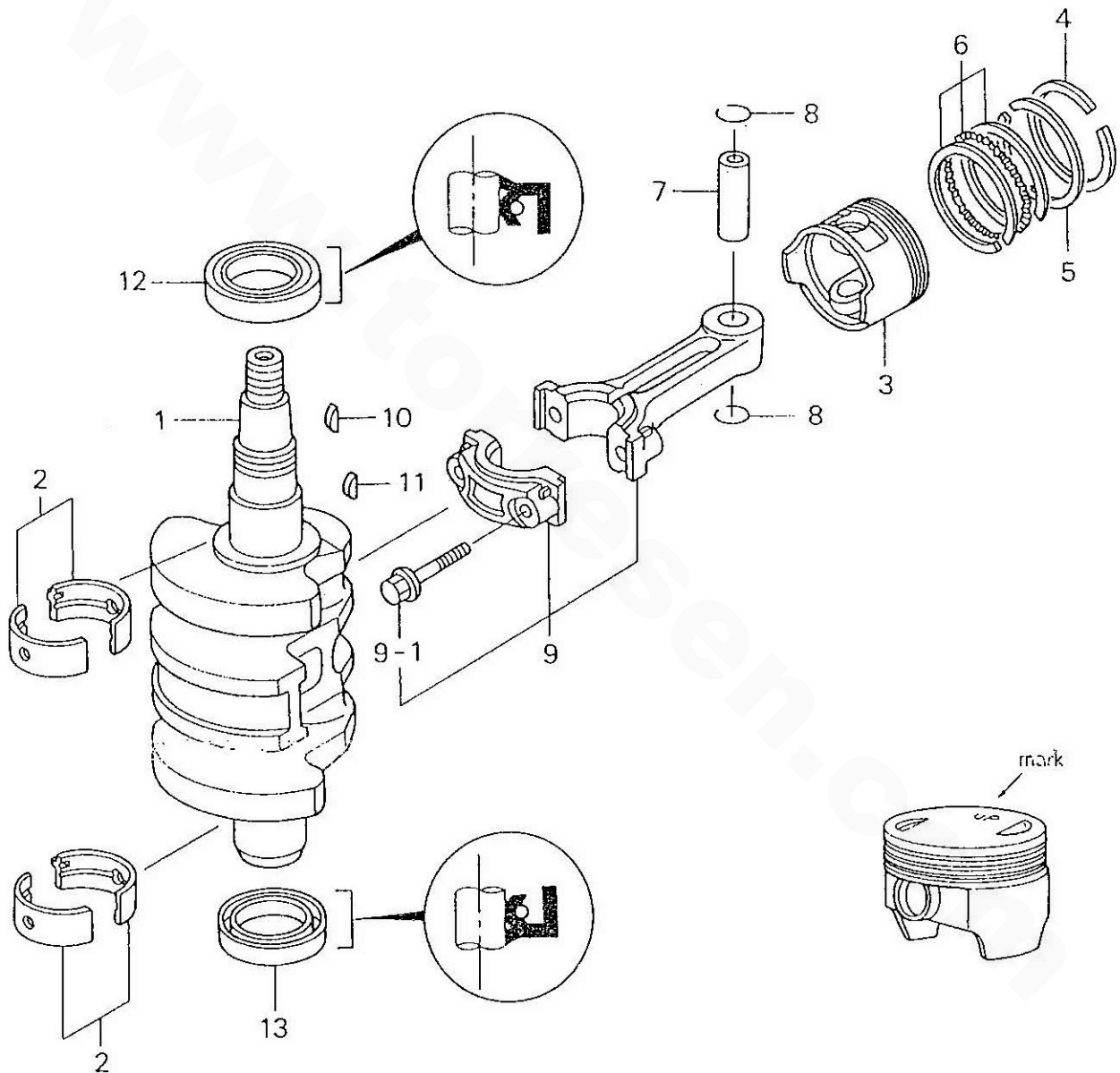


P102

WESTERBEKE 3.0 BPMG GENERATOR - CYLINDER

REF	PN	NAME / REMARKS	QUAN
	049402	ENGINE,BLOCK ASSY (INC. HEAD, BLOCK, CRANK, PISTONS)	
1	048837	BLOCK,BARE	1
1-1	048899	DOWEL,TUBULAR	2
1-2	048834	BOLT,CYLINDER BLOCK	4
1-3	NA		
1-4	NA		
1-5	NA		
1-6	048839	NIPPLE	1
1-7	048865	NIPPLE,OIL FILTER	1
2	048592	HOUSING,THERMOSTAT LOWER	1
3	048171	GASKET,EXHAUST COVER	1
4	NA		
5	048157	THERMOSTAT	1
6	048829	COVER,THERMOSTAT	1
7	048150	GASKET,THERMOSTAT	1
8	NA		
9	048071	ZINC & GASKET 3.0 BPMG	1
10	048838	COVER,ZINC	1
11	048156	GASKET,ZINC	1
12	NA		
13	NA		
14	048889	VALVE,OIL RELIEF	1
16	048888	COVER,BREATHER	1
17	048174	GASKET,BREATHER	1
18	NA		
21	NA		
22	048902	HOSE	1
23	NA		
24	047828	DIPSTICK 3.0 BPMG SERVICE SIDE	1
25	048078	FILTER,OIL	1
26	047672	STRAINER,OIL PICKUP	1
27	048064	HOSE,OIL	1
28	024906	CLAMP,HOSE	2
30	047992	GASKET,SUMP PLATE	1
31	048891	BOLT,SUMP	6
33	048864	COVER,OIL RELIEF VALVE	1
34	048818	EYE,LIFTING	1
35	NA		

WESTERBEKE 3.0 BPMG GENERATOR - PISTON & CRANKSHAFT

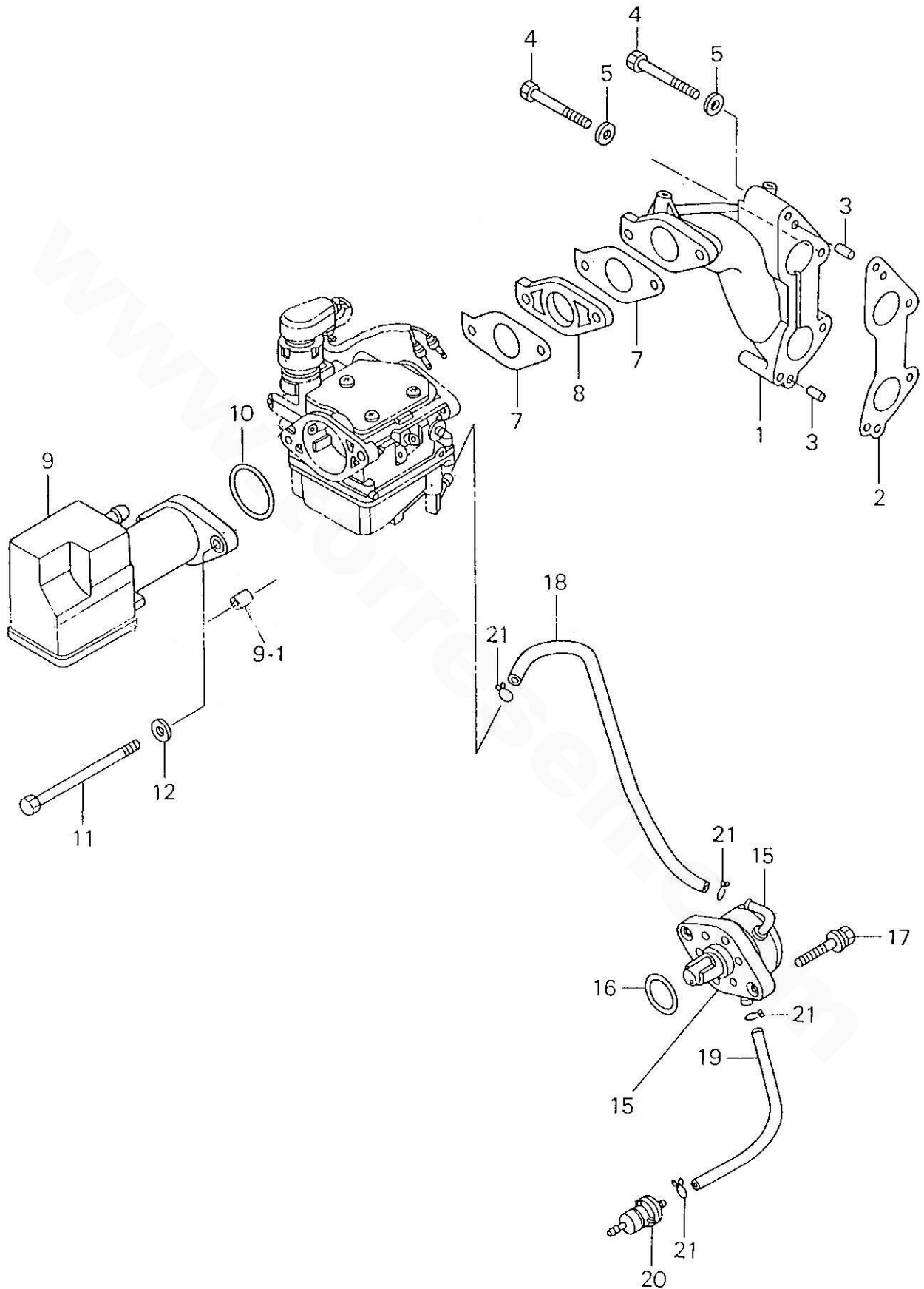


P104

WESTERBEKE 3.0 BPMG GENERATOR - PISTON & CRANKSHAFT

REF	PN	NAME / REMARKS	QUAN
1	048874	CRANKSHAFT 3.0 BPMG	1
2	048861	BEARING,MAIN BLACK HALF	4
2	048862	BEARING,MAIN BROWN HALF	4
3	048830	PISTON STD	2
3	048831	PISTON 0.50	2
4	NA		2
4	NA		2
5	NA		2
5	NA		2
6	NA		2
6	NA		2
SET	048900	RING SET STD	2
SET	048903	RING SET 0.50	2
7	048826	PIN,PISTON	2
8	048827	RING,RETAINING PISTON PIN	4
9	048875	ROD,CONNECTING	2
9-1	048828	BOLT,CONNECTING ROD	4
10	048895	KEY,CRANKSHAFT MAGNETO	1
11	048894	KEY,CRANKSHAFT DRIVE PULLEY	1
12	048161	SEAL,OIL CRANKSHAFT UPPER	1
13	048168	SEAL,OIL CRANKSHAFT LOWER	1

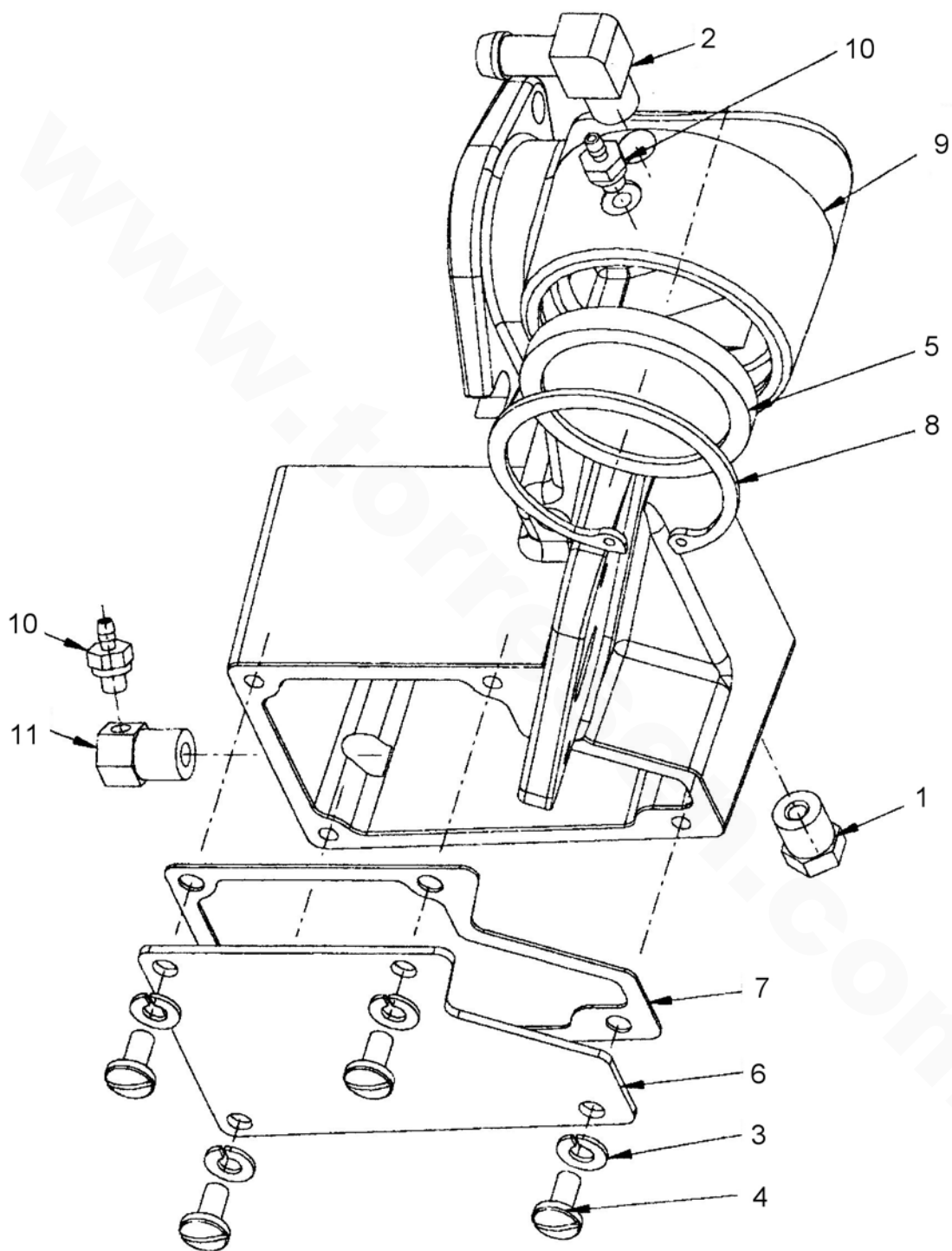
WESTERBEKE 3.0 BPMG GENERATOR - INLET MANIFOLD & FUEL PUMP



WESTERBEKE 3.0 BPMG GENERATOR - INLET MANIFOLD & FUEL PUMP

REF	PN	NAME / REMARKS	QUAN
1	045349	MANIFOLD,INTAKE	1
2	048170	GASKET,INTAKE MANIFOLD	1
3	048899	DOWEL,TUBULAR	2
4	NA		
5	NA		
7	047993	GASKET,CARBURETOR SPACER	2
8	047640	PLATE,CARBURETOR SPACER	1
9	046872	SILENCER,INTAKE ASSY (SEE DETAIL PAGES 106-1, 107-1)	1
10	047826	GASKET,CARBURETOR INTAKE	1
11	047994	CAPSCREW M 6x100	2
12	NA		
15	045354	PUMP,FUEL LIFT	1
16	048159	O-RING,FUEL PUMP MOUNT	1
17	NA		
18	048003	HOSE,FUEL (FUEL PUMP TO FILTER)	1
19	048004	HOSE,FUEL (FUEL FILTER TO CARBURETOR)	1
20	046800	FILTER,FUEL ASSEMBLY (SEE DETAIL PAGES 106-2, 107-2)	1
21	024906	CLAMP,HOSE	4

WESTERBEKE 3.0 BPMG GENERATOR - INTAKE SILENCER

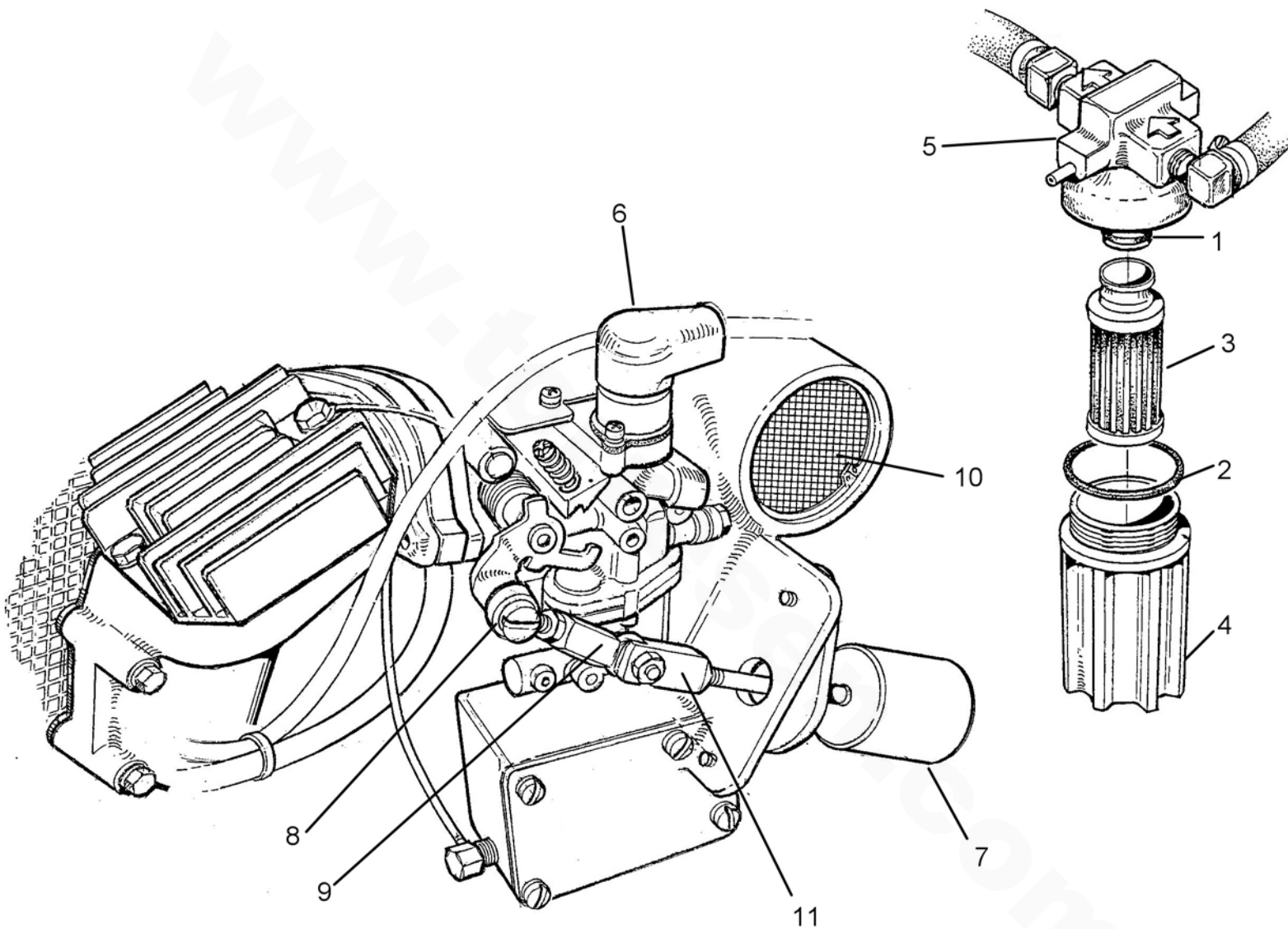


P106-1

WESTERBEKE 3.0 BPMG GENERATOR - INTAKE SILENCER

REF	PN	NAME / REMARKS	QUAN
1	019369	PLUG 1/8 NPT	1
2	024907	ELBOW 1/8NPT x 5/16 HOSE	1
3	031849	LOCKWASHER 10 SPLIT	4
4	031871	SCREW 10-32x3/8	4
5	043438	ARRESTOR,FLAME ASSY (to serial number E712)	1
5-1	053831	ARRESTOR,FLAME ASSY (post serial number E712)	1
6	046815	COVER,INTAKE FUEL SUMP	1
7	046816	GASKET,INTAKE FUEL SUMP	1
8	046846	RING,RETAINING	1
9	046849	SILENCER,INTAKE	1
10	047827	NIPPLE 10-32 O-RING x 5/32HOSE	2
11	047841	ELBOW 1/8NPTx10-32	1
	046872	SILENCER,INTAKE ASSY (COMPLETE ASSY)	1

WESTERBEKE 3.0 BPMG GENERATOR - ACTUATOR & FUEL FILTER



P106-2

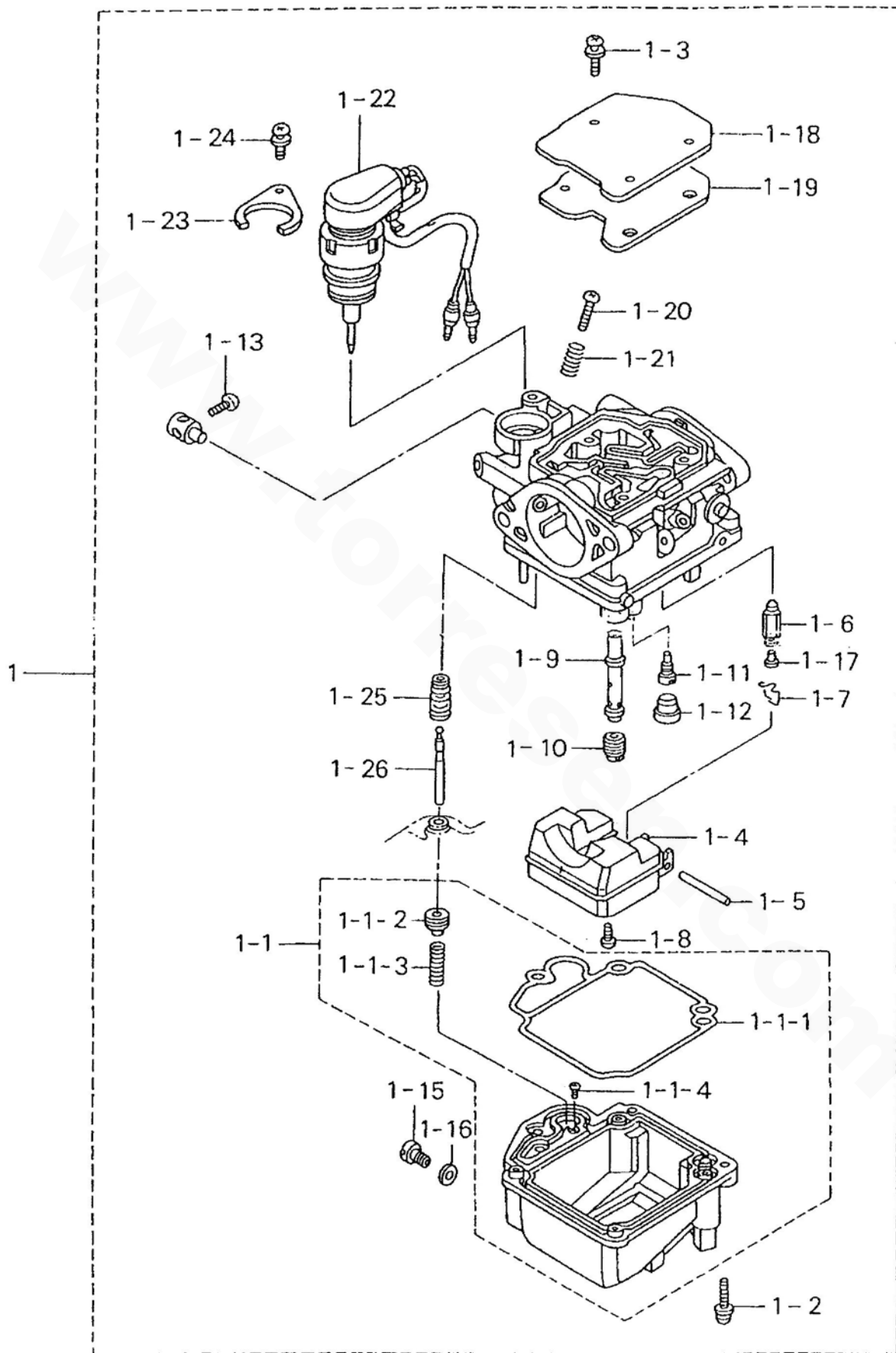
WESTERBEKE 3.0 BPMG GENERATOR - ACTUATOR & FUEL FILTER

REF	PN	NAME / REMARKS	QUAN
	046800	FILTER,FUEL ASSEMBLY (INCLUDES BELOW LIST)	1
1	030201	O-RING,FUEL FILTER	1
2	030705	O-RING,FUEL FILTER	1
3	047006	ELEMENT,FUEL FILTER (INCLUDES O-RINGS)	1
4	047059	CUP,FILTER HOUSING-ANODIZED	1
5	047060	HOUSING,FUEL FILTER-ANODIZED	1
6	048882	CHOKE VALVE INCL O-RING BPMG	1
7	046490	ACTUATOR 12VDC	1
8	048516	BALLJOINT 10-32 ROD END MALE	1
9	048517	BALLJOINT 10-32 ROD END FEMALE	1
10	043438	ARRESTOR,FLAME ASSY (to serial number E712)	1
10-1	053831	ARRESTOR,FLAME ASSY (post serial number E712)	1
11	045606	CLEVIS,ACTUATOR 1/4-28	1

NOT SHOW ON ILLUSTRATION

047842	BRACKET,FUEL FILTER 3.0 BPMG	1
--------	------------------------------	---

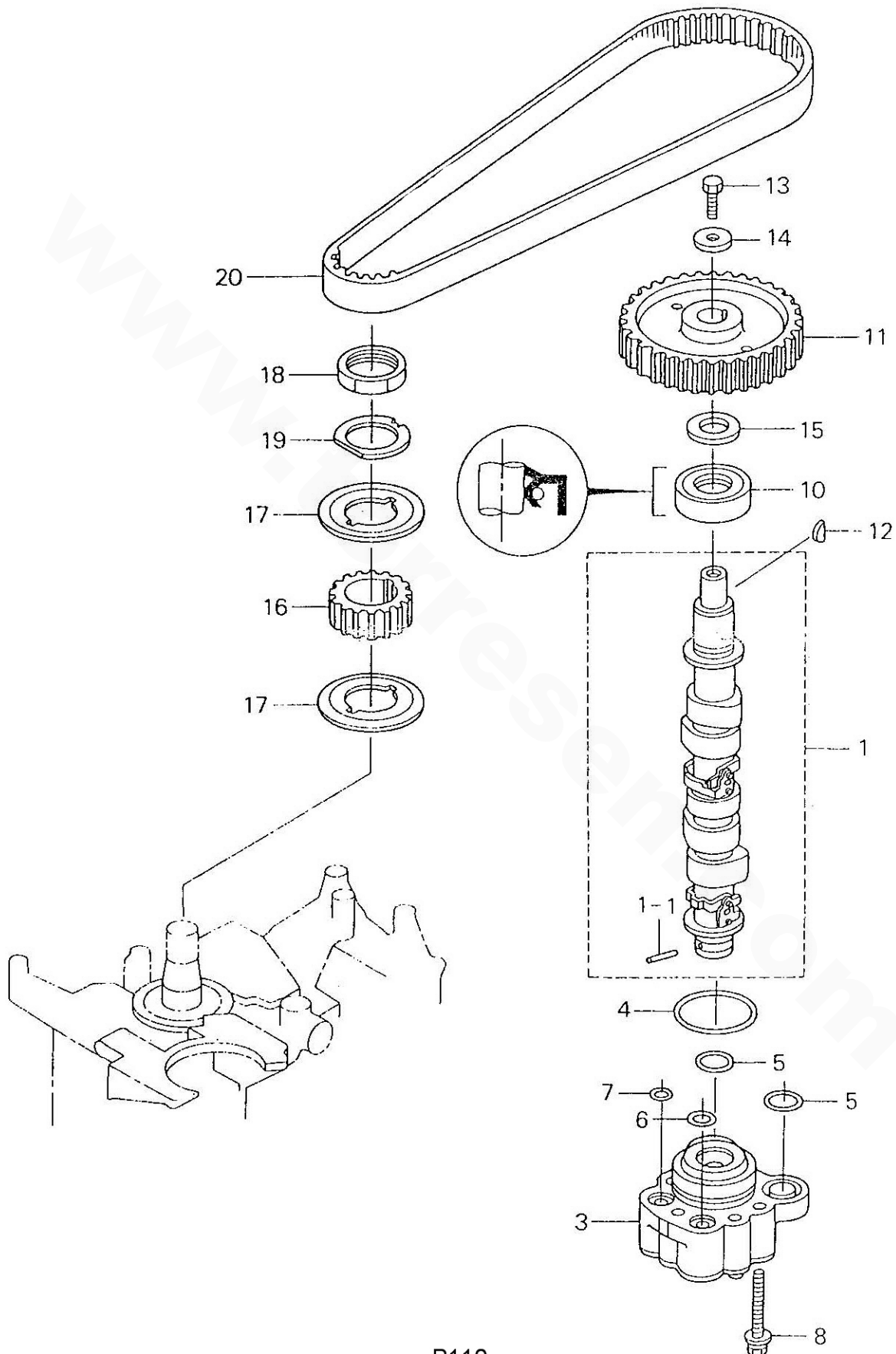
WESTERBEKE 3.0 BPMG GENERATOR - CARBURETOR



WESTERBEKE 3.0 BPMG GENERATOR - CARBURETOR

REF	PN	NAME / REMARKS	QUAN
1	045348	CARBURETOR 3.0 BPMG (to serial number E712)	1
1(-1)	053833	CARBURETOR 3.0 BPMG (post serial number E712)	
1-1	NA		
1-1-1	048876	GASKET,FLOAT HOUSING	1
1-1-2	NA		
1-1-3	NA		
1-1-4	NA		
1-5	NA		
1-6	048878	VALVE,FLOAT	1
1-7	048898	CLIP,FLOAT VALVE	1
1-8	048877	SCREW,CARBURETOR FLOAT	1
1-9	048841	NOZZLE,CARBURETOR 45348 MAIN	1
1-10	048840	JET,CARBURETOR MAIN 68	1
1-11	048842	JET,IDLE 42	1
1-12	048901	CAP,RUBBER-IDLE JET	1
1-13	NA		
1-15	NA		
1-16	048881	GASKET,CARBURETOR DRAIN	1
1-17	048897	PIN,FLOAT VALVE	1
1-18	047990	COVER,CARBURETOR W/VENT	1
1-19	047988	GASKET,CARBURETOR COVER W/VENT	1
1-20	NA		
1-21	048879	SPRING,CARBURETOR	1
1-22	048882	CHOKE VALVE (INCL O-RING)	1
1-23	048883	HOLDER,CHOKE VALVE	1
1-24	NA		
1-25	NA		
1-26	NA		
	052690	KIT,CARBURETOR 45348 REPAIR	1

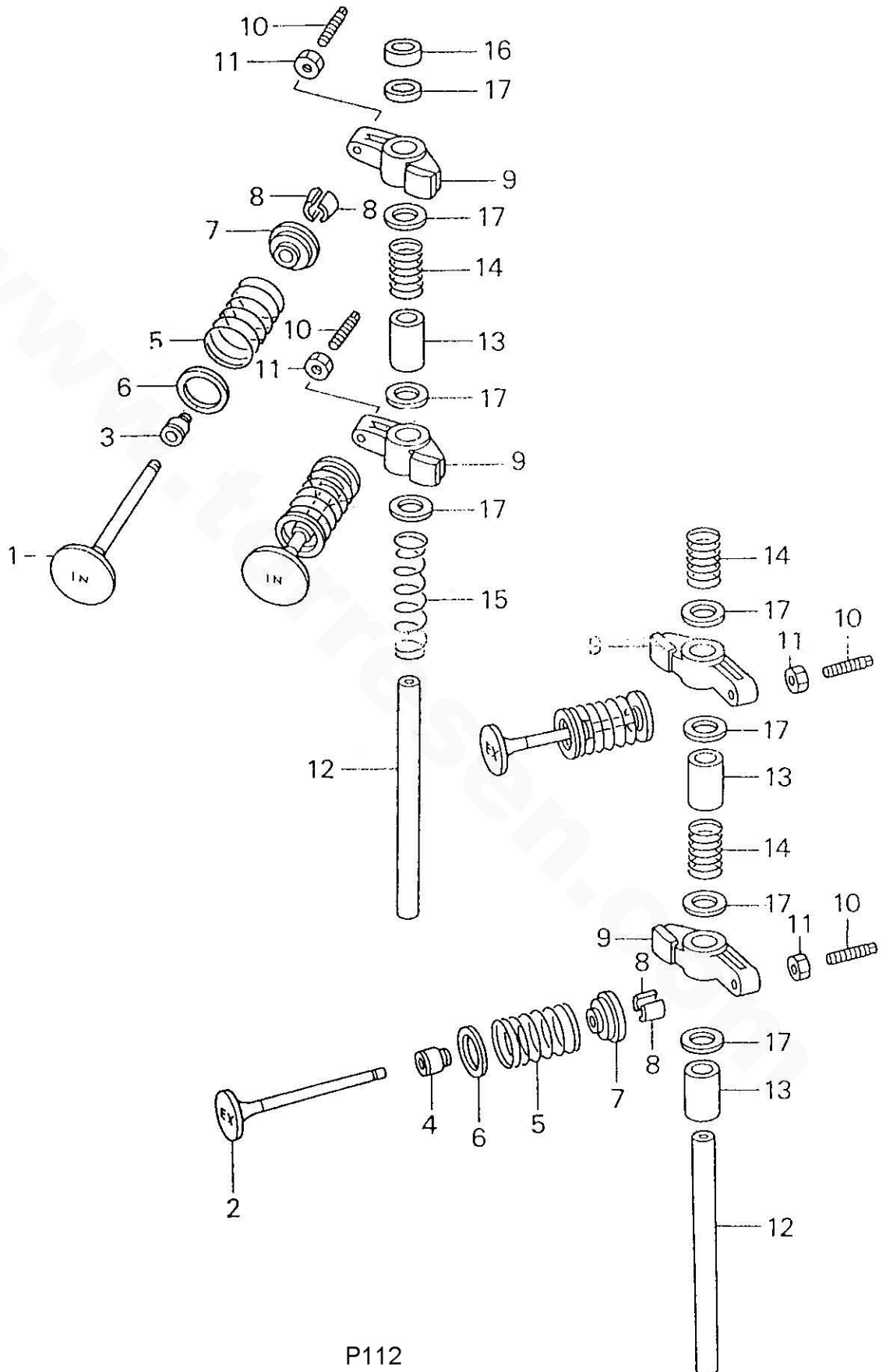
WESTERBEKE 3.0 BPMG GENERATOR - CAMSHAFT & OIL PUMP



WESTERBEKE 3.0 BPMG GENERATOR - CAMSHAFT & OIL PUMP

REF	PN	NAME / REMARKS	QUAN
1	048884	CAMSHAFT	1
1-1	048860	PIN,CAMSHAFT	1
3	048863	PUMP,OIL (INC 48866 O-RING)	1
4	048866	O-RING,OIL PUMP MOUNT	1
5	048167	O-RING,OIL PUMP LARGE	2
6	048166	O-RING,OIL PUMP MED	1
7	048165	O-RING,OIL PUMP SMALL	1
8	NA		
10	048164	SEAL,OIL CAMSHAFT	1
11	048868	PULLEY,CAMSHAFT	1
12	048896	KEY,CAMSHAFT PULLEY	1
13	NA		
14	048870	WASHER,CAMSHAFT PULLEY SMALL	1
15	048890	WASHER,CRANKSHAFT PULLEY LARGE	1
16	048867	PULLEY,CRANKSHAFT TIMING BELT	1
17	048869	FLANGE,CRANKSHAFT TIMING BELT	2
18	048871	NUT,CRANKSHAFT PULLEY	1
19	048872	LOCKWASHER,CRANKSHAFT NUT	1
20	048154	BELT,TIMING	1

WESTERBEKE 3.0 BPMG GENERATOR - INTAKE & EXHAUST VALVES

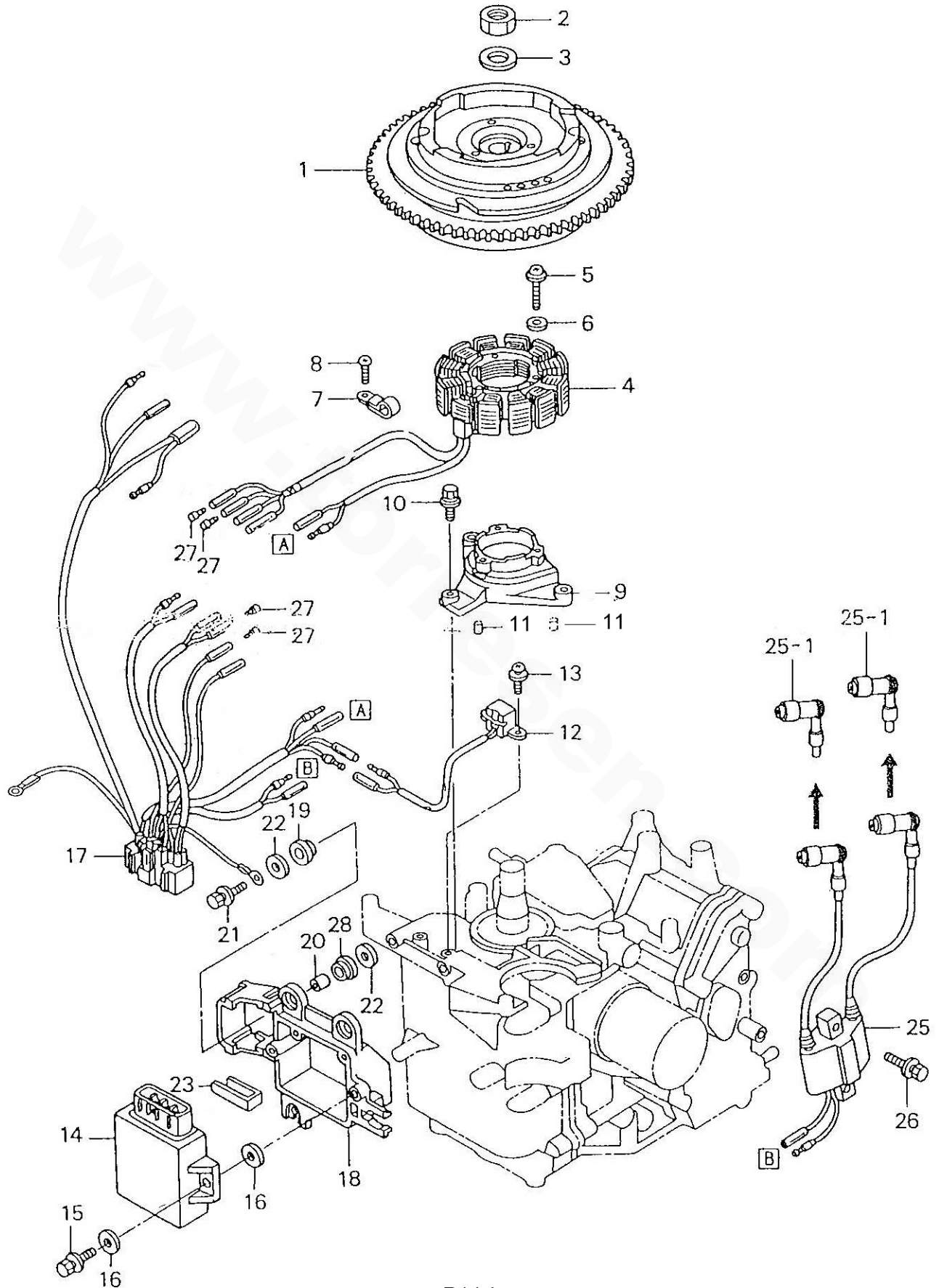


P112

WESTERBEKE 3.0 BPMG GENERATOR - INTAKE & EXHAUST VALVES

REF	PN	NAME / REMARKS	QUAN
1	048885	VALVE,INTAKE	2
2	048847	VALVE,EXHAUST	2
3	048172	SEAL,VALVE STEM-INTAKE BLACK	2
4	048173	SEAL,VALVE STEM-EXHAUST GREEN	2
5	048848	SPRING,VALVE	4
6	048849	SEAT,VALVE SPRING-LOWER	4
7	048850	SEAT,VALVE SPRING-UPPER	4
8	048851	COTTER,VALVE	8
9	048856	ROCKER	4
10	048858	SCREW,ROCKER ADJUST	4
11	048857	NUT,ROCKER ADJUST	4
12	048853	SHAFT,ROCKER	2
13	048859	SPACER,ROCKER	3
14	048852	SPRING,ROCKER	3
15	048855	SPRING,ROCKER	1
16	048886	WASHER,ROCKER SHAFT	1
17	048854	WASHER,ROCKER SHAFT	8

WESTERBEKE 3.0 BPMG GENERATOR - MAGNETO

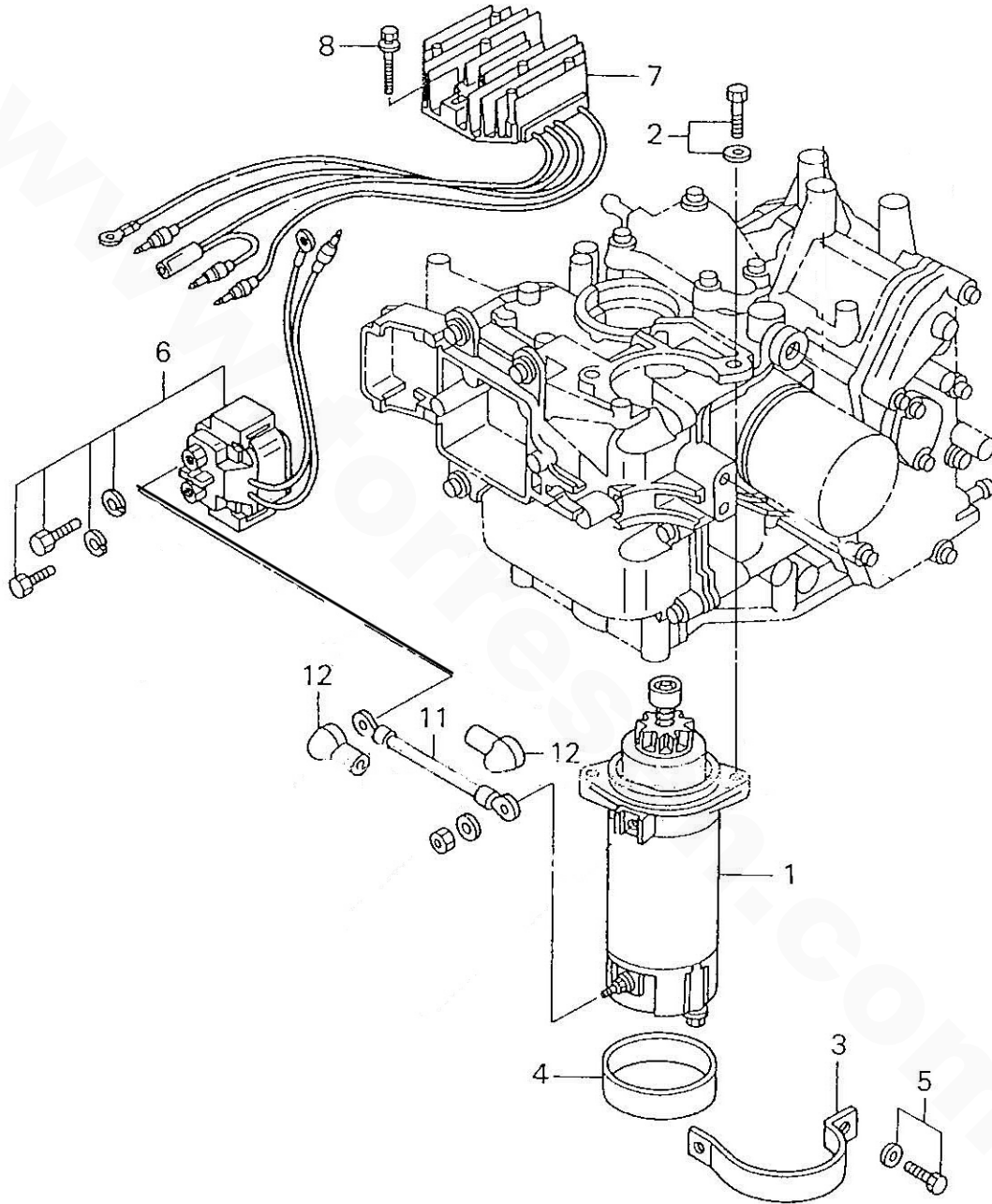


P114

WESTERBEKE 3.0 BPMG GENERATOR - MAGNETO

REF	PN	NAME / REMARKS	QUAN
1	047830	FLYWHEEL ASSEMBLY	1
2	NA		
3	048832	WASHER,FLYWHEEL	1
4	048844	ALTERNATOR 12VDC	1
5	NA		
6	NA		
7	NA		
8	NA		
9	048843	BRACKET,ALTERNATOR	1
10	NA		
11	048899	DOWEL,TUBULAR	2
12	048845	COIL,PULSER	1
13	NA		
14	045351	MODULE,IGNITION CTL	1
15	NA		
16	048873	WASHER,IGNITION MODULE	4
17	048160	HARNESS,IGNITION MODULE	1
18	NA		
19	NA		
20	NA		
21	NA		
22	NA		
23	NA		
25	045350	COIL,IGNITION	1
26	NA		
27	NA		
28	NA		

WESTERBEKE 3.0 BPMG GENERATOR - ELECTRICAL PARTS



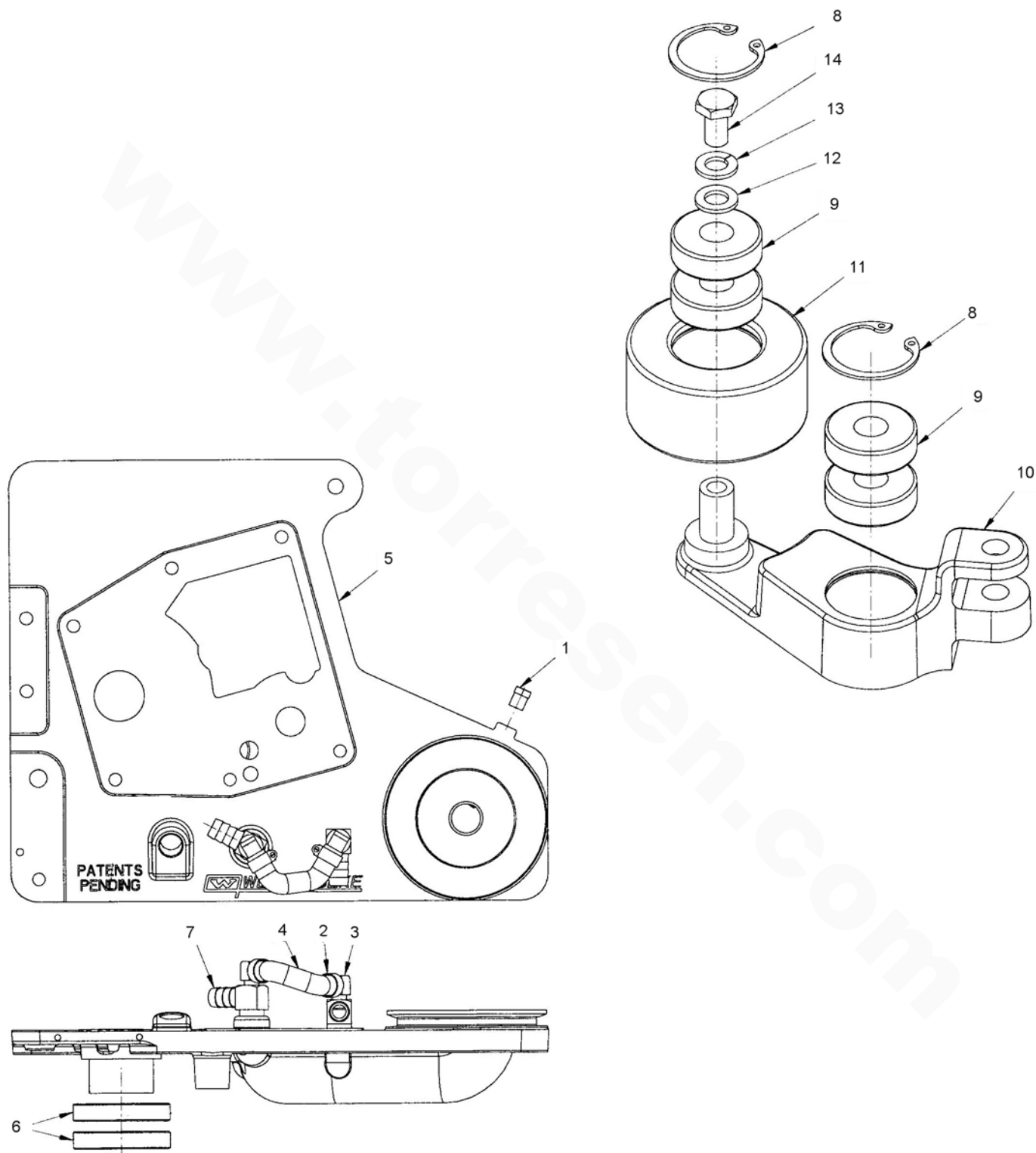
WESTERBEKE 3.0 BPMG GENERATOR - ELECTRICAL PARTS

REF	PN	NAME / REMARKS	QUAN
1	048152	MOTOR,STARTER 12VDC	1
2	NA		
3	048892	CLAMP,STARTER MOUNT	1
4	048819	BAND,STARTER MOUNT	1
5	015830	STUD M 8x25 DIN 939	2
6	048155	SOLENOID,STARTER	1
7	048158	RECTIFIER,VOLTAGE REG	1
8	NA		
11	048893	WIRE,STARTER TO SOLENOID	1
12	048817	BOOT,STARTER	1

Not shown on illustration.

047832	BRACKET,STARTER SOLENOID 3BPMG	1
--------	--------------------------------	---

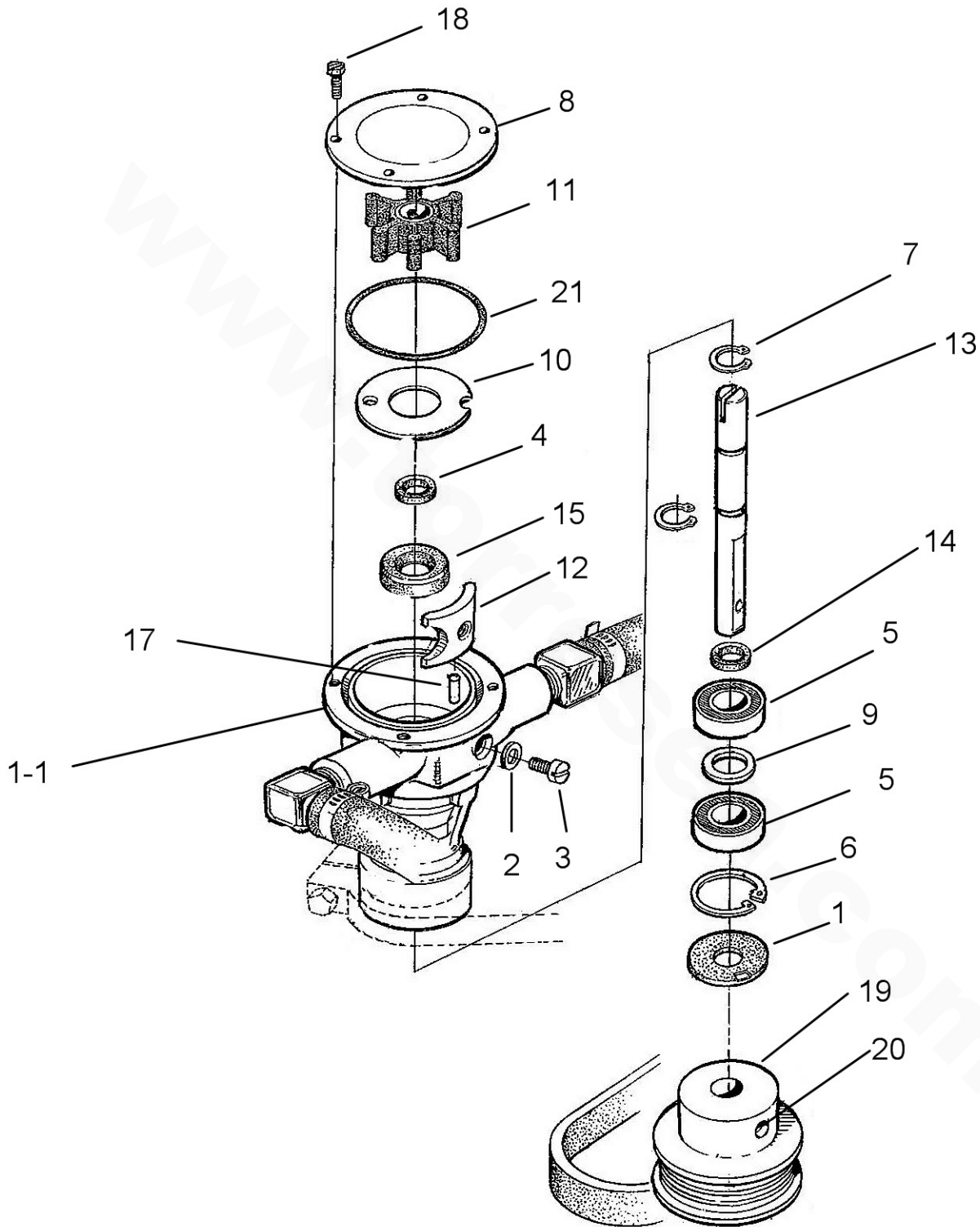
WESTERBEKE 3.0 BPMG GENERATOR - IDLER & SUMP PLATE



WESTERBEKE 3.0 BPMG GENERATOR - IDLER & SUMP PLATE

REF	PN	NAME / REMARKS	QUAN
1	019369	PLUG 1/8 NPT	1
2	024906	CLAMP,HOSE	2
3	024907	ELBOW 1/8NPT x 5/16 HOSE	2
4	300236	HOSE,THERMOSTAT BYPASS	1
5	046826	PLATE,OIL SUMP BPMG	1
6	046842	BEARING,BALL	2
7	047845	TEE 3/8NPTMx1/8NPTFx1/2 HOSE	2
8	046845	RING,RETAINING	2
9	046843	BEARING,BALL	4
10	046838	ARM,IDLER	1
11	046836	PULLEY,IDLER	1
12	031787	WASHER M 8	1
13	031786	LOCKWASHER M 8	1
14	044243	CAPSCREW M 8x14	1

WESTERBEKE 3.0 BPMG GENERATOR - SEA WATER PUMP

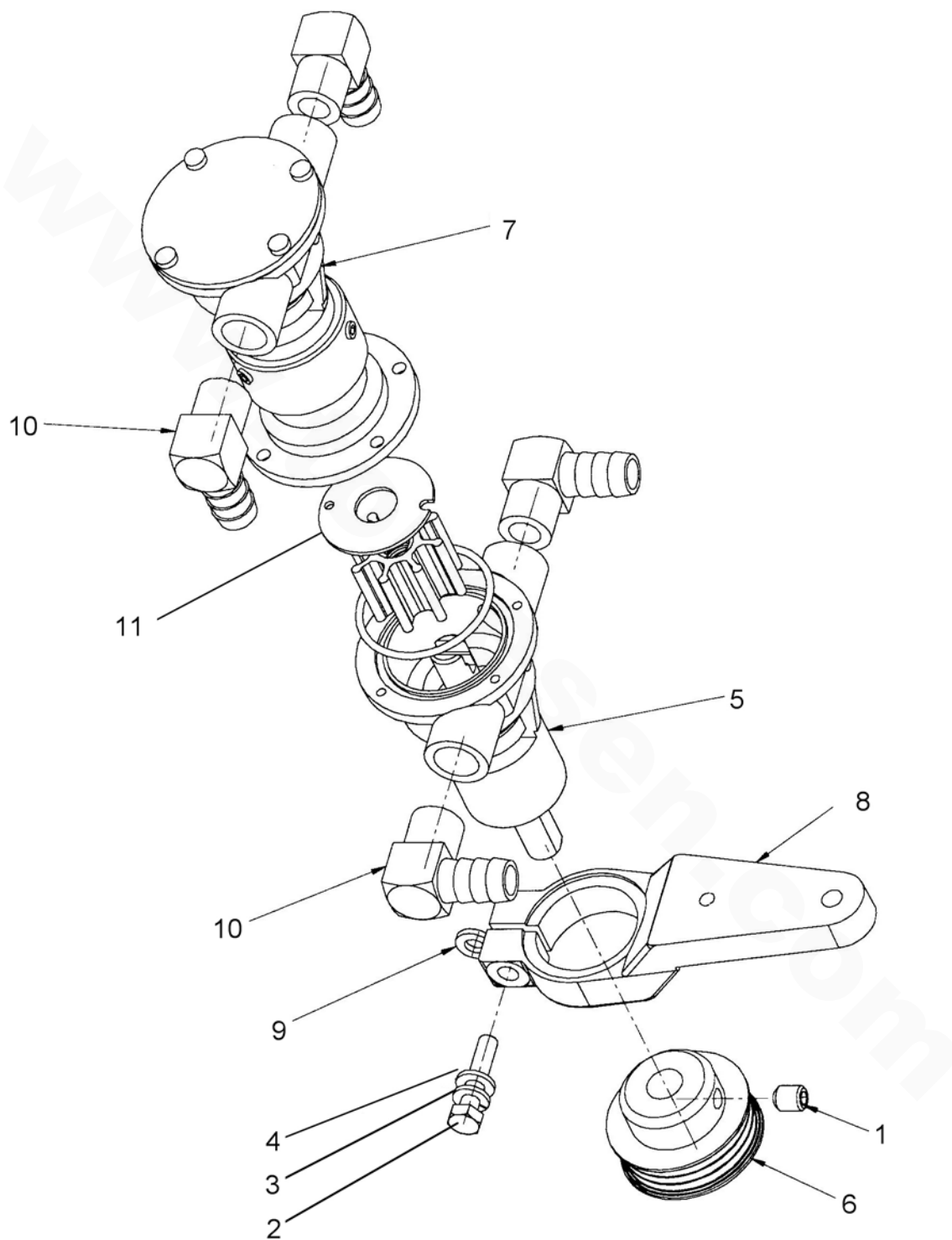


P120

WESTERBEKE 3.0 BPMG GENERATOR - SEA WATER PUMP

REF	PN	NAME / REMARKS	QUAN
1-1	046814	PUMP,SEA WATER (PUMP BODY ONLY IS NOT AVAILABLE)	1
1	033033	COVER,BEARING	1
2	033037	WASHER,CAM SCREW	1
3	033038	SCREW,CAM	1
4	033041	O-RING,PUMP	1
5	033042	BEARING,PUMP	2
6	033044	RING,RETAINING EXT	1
7	033045	RING,RETAINING INT	2
8	046625	COVER,IMPELLER	1
9	046630	SPACER,BEARING	1
10	046661	PLATE,WEAR	1
11	048065	IMPELLER KIT (INC. O-RING & 4 COVER SCREWS)	1
12	048251	CAM,PUMP	1
13	048252	SHAFT,WATER	1
15	048254	SEAL,SPRING	1
16	048255	RING,RETAINING	1
17	302575	DOWEL	1
18	034463	SCREW,IMPELLER COVER-STAINLESS	4
19	046864	PULLEY,WATER PUMP	1
20	011357	SETSCREW	1
21	046624	O-RING,PUMP	1

WESTERBEKE 3.0 BPMG GENERATOR - FRESH / SEA WATER PUMP ASSEMBLY

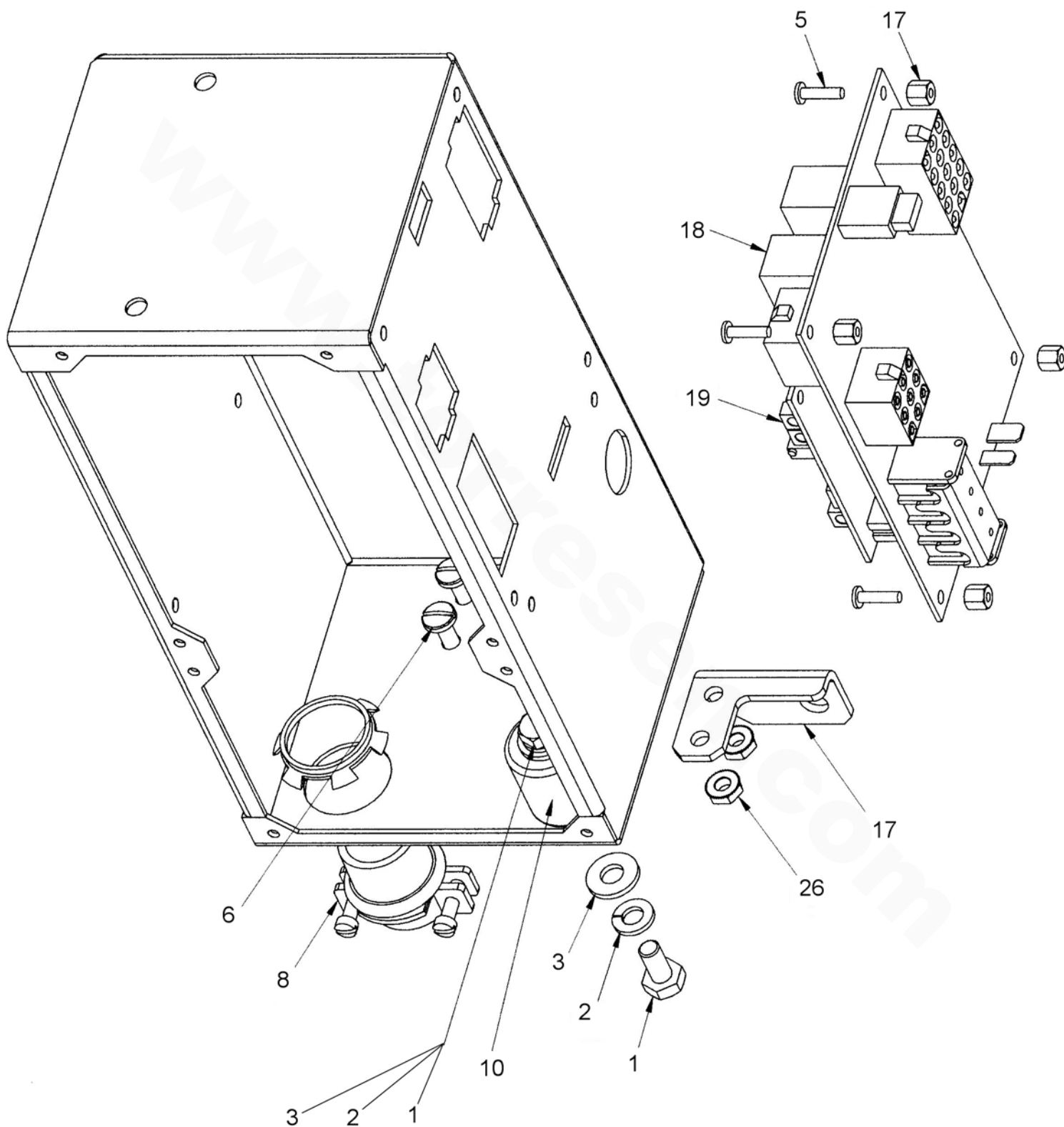


P122

WESTERBEKE 3.0 BPMG GENERATOR - FRESH / SEA WATER PUMP ASSEMBLY

REF	PN	NAME / REMARKS	QUAN
1	011357	SETSCREW	1
2	013590	CAPSCREW	1
3	031783	LOCKWASHER M 6	1
4	031784	WASHER M 6	1
5	046814	PUMP,SEA WATER	1
6	046864	PULLEY,WATER PUMP	1
7	047970	PUMP,SEA WATER UPPER	1
8-1	046866	BRACKET,WATER PUMP (To date code E304)	1
8-2	048291	BRACKET,WATER PUMP (Post date code E304)	1
9	048323	SPACER	1
10	241019	ELBOW 3/8NPT x 1/2 HOSE BARB	4
11	046661	PLATE,WEAR	1

WESTERBEKE 3.0 BPMG GENERATOR - PANEL BOX AND HARNESS

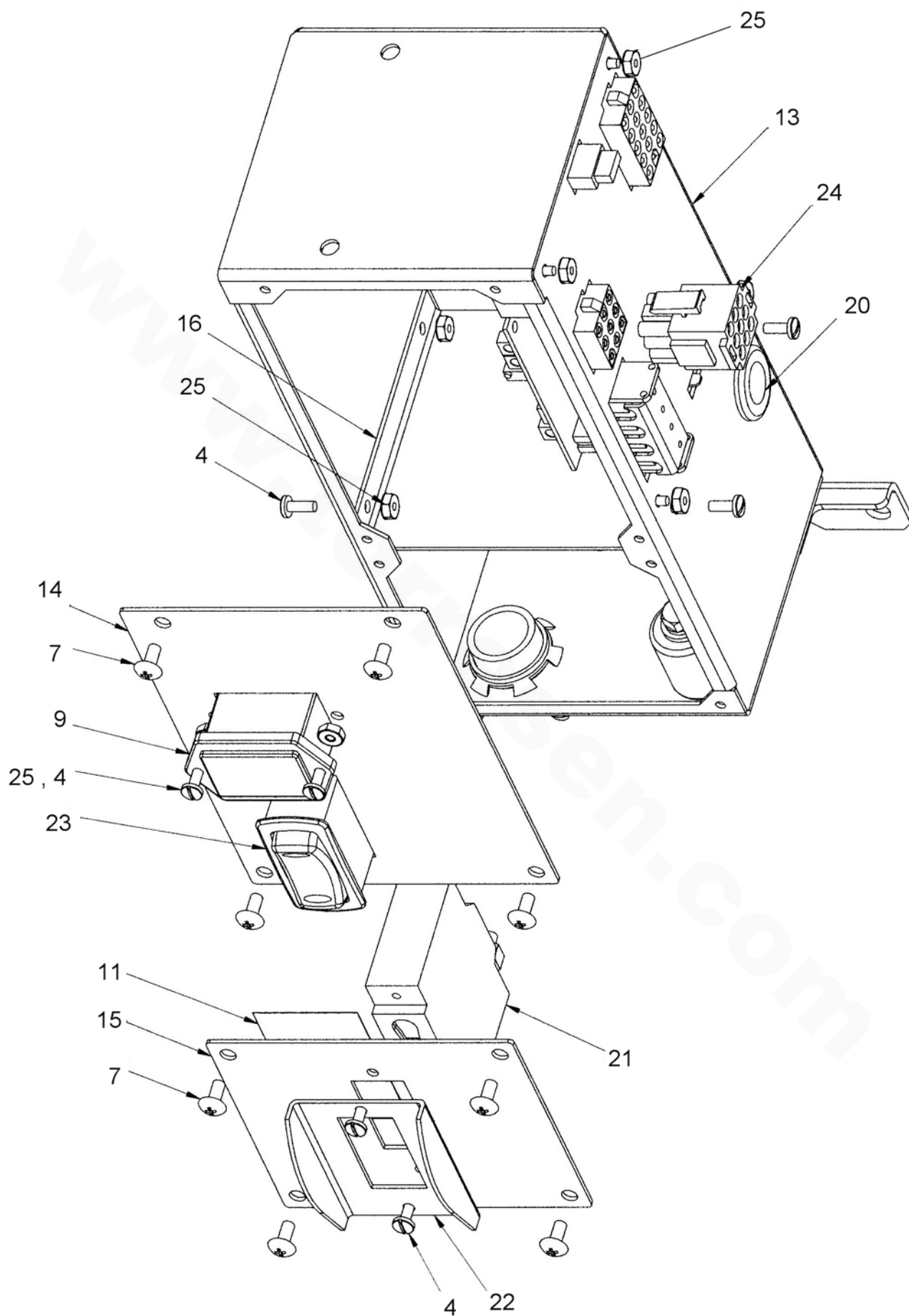


P124

WESTERBEKE 3.0 BPMG GENERATOR - PANEL BOX AND HARNESS

REF	PN	NAME / REMARKS	QUAN
1	031501	CAPSCREW 1/4NCx1/2	2
2	031752	LOCKWASHER 1/4 SPLIT	2
3	031753	WASHER,FLAT 1/4	2
5	031854	SCREW 6-32x1/2	4
6	031872	SCREW 10-32x1/2	4
8	038905	CONNECTOR,BOX (INC. NUT)	1
10	043086	TERMINAL,BATTERY CHARGER OUT	1
12	045342	STANDOFF 6-32x1/4	4
17	045347	BRACKET,CONTROL BOX	2
18	045369	PC BOARD ASSY,MAIN CTL	1
19	045377	PC BOARD ASSY,OVRSPD/GOV/SGINV	1

WESTERBEKE 3.0 BPMG GENERATOR - PANEL BOX AND HARNESS



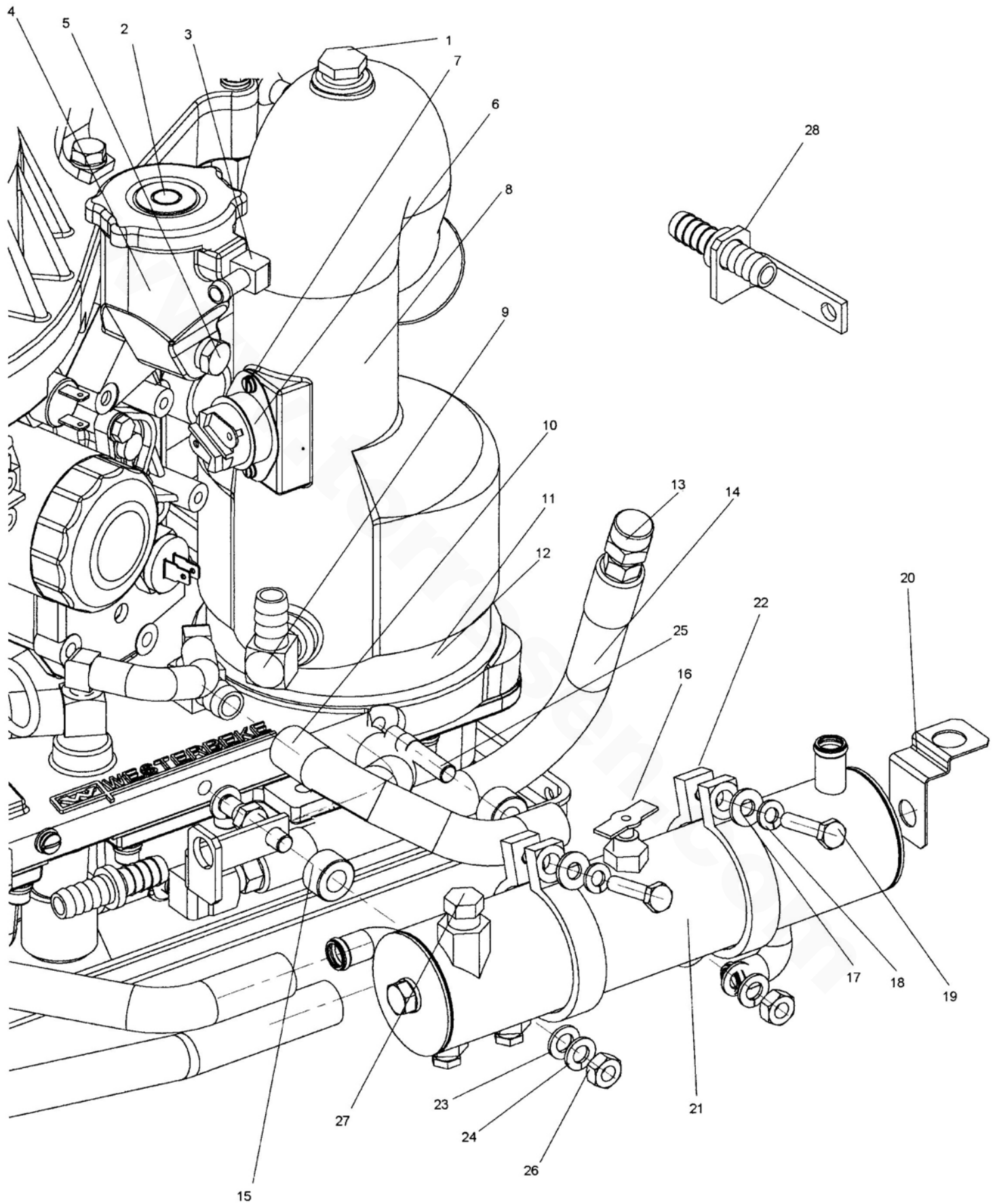
WESTERBEKE 3.0 BPMG GENERATOR - PANEL BOX AND HARNESS

REF	PN	NAME / REMARKS	QUAN
4	031853	SCREW 6-32x3/8	8
7	031891	SCREW 8-32x3/8	8
9	042388	METER,HOUR 12-24VDC	1
11	044592	LABEL,AC OUTPUT 3.0 BPMG 1PH	1
13	045343	BOX,GENSET CTL PNL 3.0 BPMG	1
14	045344	COVER,CONTROL BOX	1
15	045345	COVER,CONTROL BOX BREAKER	1
16	045346	DIVIDER,CONTROL BOX	1
20	046166	GROMMET	1
21	046867	BREAKER,CIRCUIT 25AMP 1POLE-IP	1
22	046868	GUARD,CIRCUIT BREAKER HANDLE	1
23	047202	SWITCH,ROCKER START-STOP W/LED	1
24	048187	CONNECTOR,MALE 9 PIN W/PLUGS	1
25	050234	NUT 6-32 KEPS	10

NOT INCLUDED ON ILLUSTRATION

048006	WIRE,GROUND 3.0 BPMG	1
048005	HARNESS,GEN PANEL (INSIDE PANEL BOX)	1
046860	HARNESS,GENSET (ENGINE HARNESS)	1
045365	PANEL,GENSET CTL (COMPLETE)	1
048155	SOLENOID,STARTER 3.0 BPMG	1
037323	SWITCH,OIL PRESS NO	1
037833	RELAY 12VDC 40A	1
046490	ACTUATOR 12VDC	1
048057	SENSOR,MAGNETIC W/TERM 3.0BPMG	1
048882	CHOKE VALVE INCL O-RING BPMG	1
048087	FUSE 20A	1
043622	HOLDER,FUSE (FOR 20A FUSE)	1
048072	FUSE 10A	1

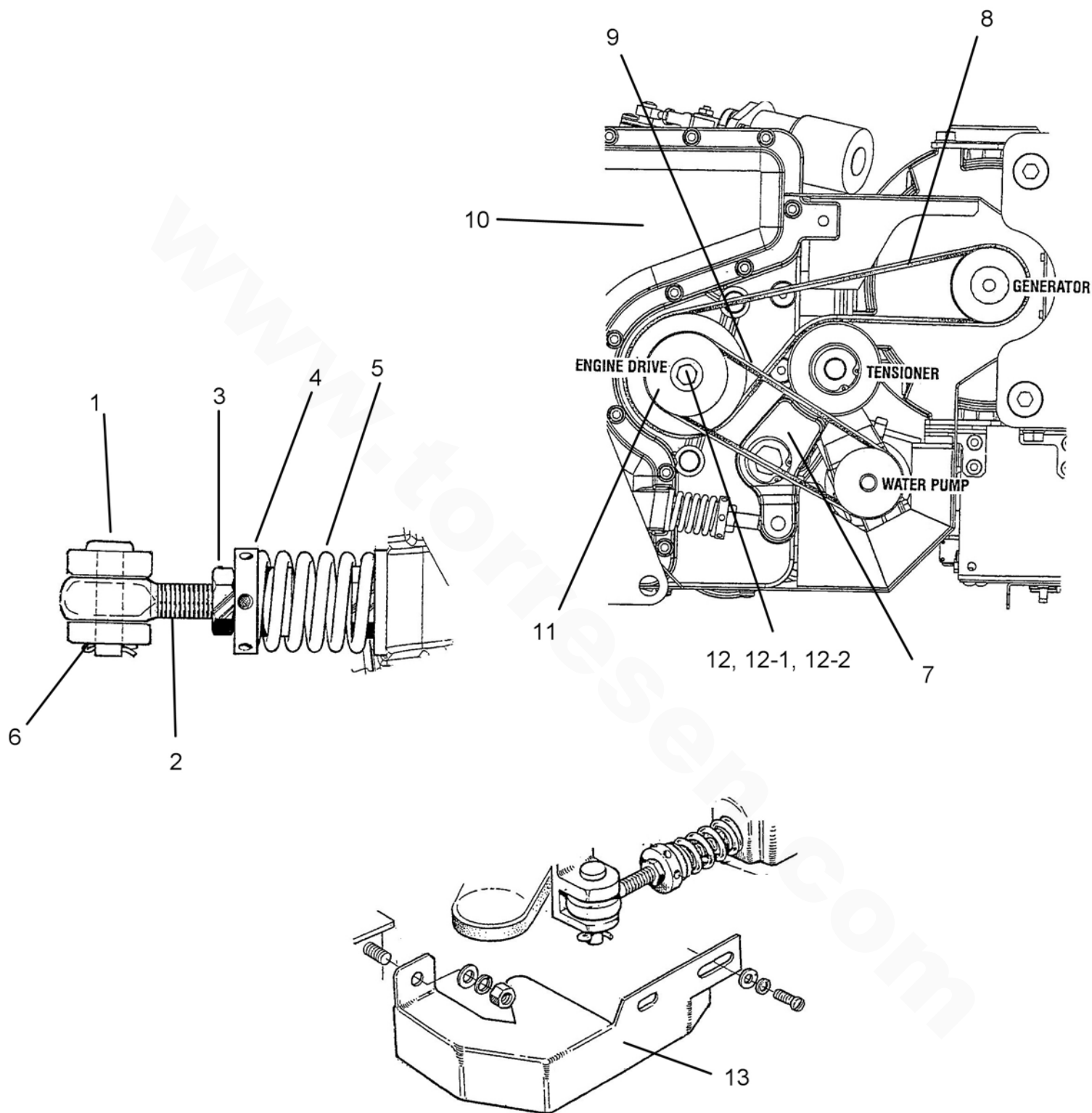
WESTERBEKE 3.0 BPMG GENERATOR - FRESH WATER COOLING SYSTEM



WESTERBEKE 3.0 BPMG GENERATOR - FRESH WATER COOLING SYSTEM

REF	PN	NAME / REMARKS	QUAN
1	013716	PLUG 3/8 NPT HEX HEAD	1
2	053408	CAP,PRESSURE 7PSI COOLANT REC	1
3	024907	ELBOW 1/8NPT x 5/16 HOSE	1
4	048363	HOUSING,THERMOSTAT FW	1
5	013341	PLUG 1/4 NPT HEX HEAD	1
6	032923	SWITCH,TEMPERATURE GEN EXHAUST	1
7	035711	SCREW 6x1/4	2
8	048070	KIT,WATER INJECTD EXHAUST (INC. GASKET & CLAMP)	1
9	241019	ELBOW 3/8NPT x 1/2 HOSE BARB	1
10	011341	CLAMP,HOSE 08	8
11	046123	GASKET,EXHAUST ELBOW-MAN 4.37"	1
12	046030	CLAMP,EXHAUST ELBOW 4.37"	1
13	024905	CAP 1/4 NPT BRASS	1
14	046785	HOSE,SUMP DRAIN 9.50 IN	1
15	040602	SPACER 0.750OD,0.380ID,0.440LG	2
16	011471	PETCOCK 1/8NPT EXT SEAT BRASS	1
17	031753	WASHER,FLAT 1/4 SAE STEEL	2
18	031752	LOCKWASHER 1/4 SPLIT	2
19	031506	CAPSCREW 1/4NCx1-1/4	2
20	024922	BRACKET,SUMP DRAIN HOSE	1
21	048296	EXCHANGER,HEAT 3.0 BPMG	1
22	034952	CLAMP,EXCHANGER	2
23	031787	WASHER M 8	2
24	031786	LOCKWASHER M 8	2
25	015831	STUD M 8x32	2
26	018242	NUT M 8	2
27	011885	ZINC 1/4NPT	1
28	053359	CONNECTOR ASSY,HOSE 1/2" 3BPMG	1

WESTERBEKE 3.0 BPMG GENERATOR - DRIVE BELTS



P130

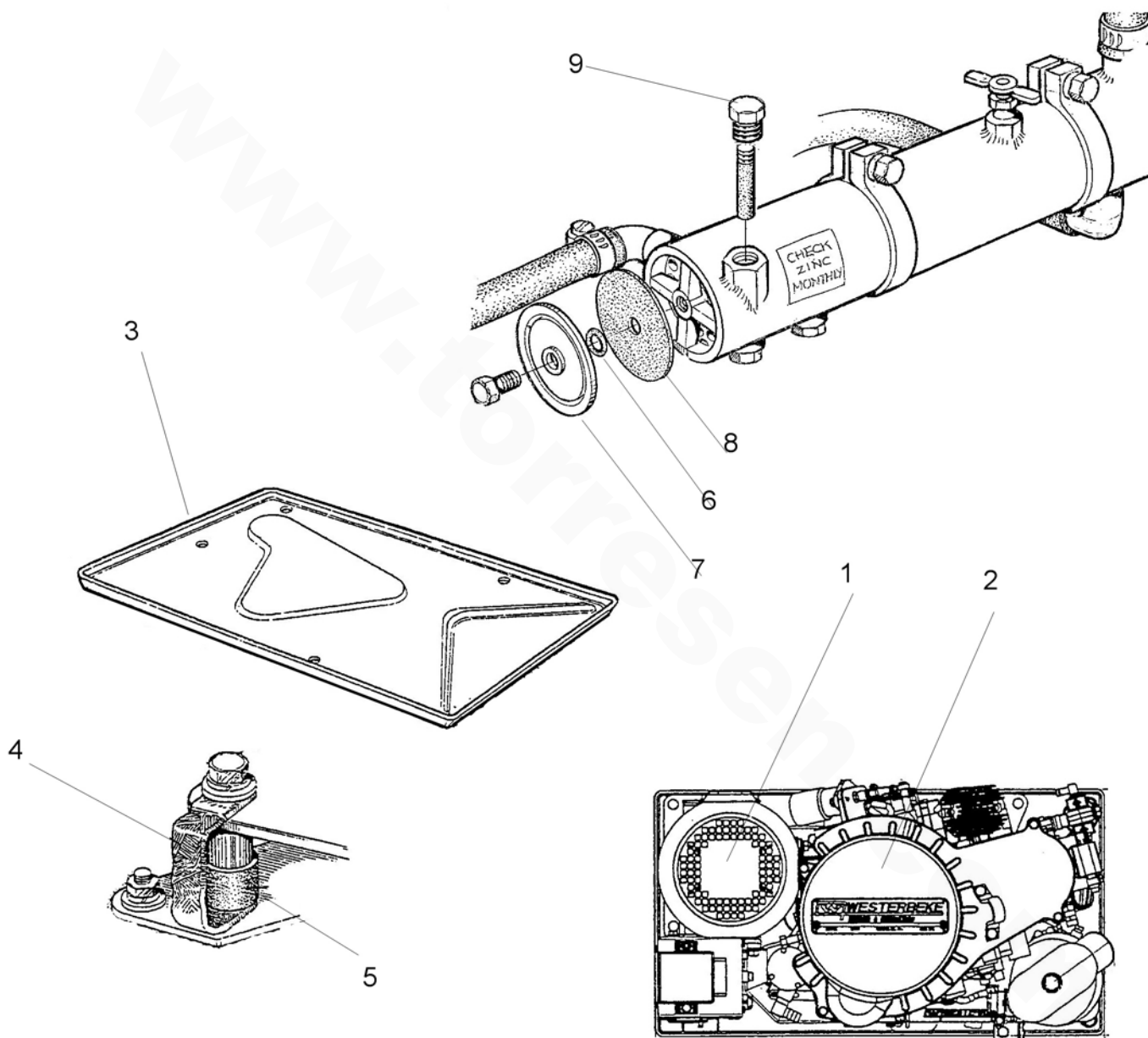
WESTERBEKE 3.0 BPMG GENERATOR - DRIVE BELTS

REF	PN	NAME / REMARKS	QUAN
1	047836	PIN,CLEVIS	1
2	047835	BALLJOINT,ROD END	1
3	031767	NUT 3/8-24 NF JAM HEX	1
4	047825	RETAINER,SPRING-ADJUSTABLE	1
5	047834	SPRING,COMPRESSION	1
6	047837	PIN,COTTER	1
7	046959	ARM,IDLER ASSY	1
8	046851	BELT,POLY-VGR (GENERATOR DRIVE)	1
9	046869	BELT,POLY-VGR (PUMP DRIVE)	1
10	046828	SUMP,OIL 3.0 BPMG	1
11	046834	PULLEY,CRANKSHAFT	1
12	013630	CAPSCREW M 8x25	1
12-1	031786	LOCKWASHER M 8	1
12-2	031787	WASHER M 8	1
13	046878	GUARD,BELT FRONT BPMG	1

NOT SHOWN ON ILLUSTRATION

048292	GUARD,BELT FRONT 3 BPMG	1
047303	GUARD,BELT REAR BPMG	1

WESTERBEKE 3.0 BPMG GENERATOR - EXCHANGER, MOUNTS & GENERATOR END



WESTERBEKE 3.0 BPMG GENERATOR - GENERATOR, MOUNTS, DRIP PAN, EXCHANGER

REF	PN	NAME / REMARKS	QUAN
1-1	049250	GENERATOR 3.0KW BPM (60HZ)	1
1-2	049731	GENERATOR 3.0KW BPM (50HZ)	1
2	047985	HOUSING,FLYWHEEL 3.0 BPMG	1
3	046879	DRIPTRAY 3.0 BPMG	1
4	046491	STRAP,RETAINING	2
5	046272	ISOLATOR,GEN STUD MNT	4
6	019320	O-RING 5/16 ID x 1/16	2
7	033297	CAP,EXCHANGER*1-7/8 IN	2
8	033298	GASKET,EXCHANGER 1-7/8 IN	2
9	011885	ZINC 1/4NPT	1

NOT SHOWN ON ILLUSTRATION

048294	BRACKET,GENERATOR 3.0 BPMG	1
046854	PLATE,ISOLATOR MOUNT FRONT BPM	1
046235	SCREW FLAT SOCKT	4
046855	PLATE,ISOLATOR MOUNT REAR BPMG	1
046856	MOUNT,REAR ISOLATOR BPMG	1



3.0 BPMG Carburetor 45348 repair kit

48876 GASKET,FLOAT HOUSING 3.0 BPMG
48878 VALVE,FLOAT 3.0 BPMG
48898 CLIP,FLOAT VALVE 3.0 BPMG
48877 SCREW,CARBURETOR FLOAT 3.0BPMG
48901 CAP,RUBBER-IDLE JET 3.0 BPMG
48881 GASKET,CARBURETOR DRAIN 3 BPMG
48897 PIN,FLOAT VALVE 3.0 BPMG
48879 SPRING,CARBURETOR 3.0 BPMG
48882 CHOKE VALVE INCL O-RING BPMG
48883 HOLDER,CHOKE VALVE 3.0 BPMG

R.C.B. 3/30/06



048066 KIT,WATER PUMP 46814

PART NUMBER	DESCRIPTION	QTY.
033033	COVER,BEARING OUTER PUMP 32617	1.000 EA
033037	WASHER,CAM SCREW	1.000 EA
033038	SCREW,CAM	1.000 EA
033041	O-RING,PUMP 32617,46120	1.000 EA
033042	BEARING,PUMP 32617,46120	2.000 EA
033044	RING,RETAINING EXT	1.000 EA
033045	RING,RETAINING INT	1.000 EA
046625	COVER,IMPELLER PUMP 46120	1.000 EA
046630	SPACER,BEARING PUMP 46120	1.000 EA
046661	PLATE,WEAR PUMP 46120	1.000 EA
048065	IMPELLER KIT 46814 PUMP	1.000 EA
048251	CAM,PUMP 46814	1.000 EA
048252	SHAFT,WATER PUMP 46814	1.000 EA
048253	WASHER,SPRING SEAL 48254	1.000 EA
048254	SEAL,SPRING PUMP 46814	1.000 EA
048255	RING,RETAINING EXT	1.000 EA
302575	DOWEL	1.000 EA

R.C.B. 2/22/06



48081 GASKET SET, COMPLETE 3.0 BPMG

PART NUMBER/ DESCRIPTION	QTY PER
046123 GASKET, EXHAUST ELBOW-MAN 4.37"	1.000 EA
046816 GASKET, INTAKE FUEL SUMP BPMG	1.000 EA
047821 GASKET, SUMP 3.0 BPMG	1.000 EA
047826 GASKET, CARBURETOR INTAKE 3BPMG	1.000 EA
047992 GASKET, SUMP PLATE 3.0 BPMG	1.000 EA
047993 GASKET, CARBURETOR SPACER BPMG	2.000 EA
048150 GASKET, THERMOSTAT 3.0 BPMG	1.000 EA
048153 GASKET, HEAD 3.0 BPMG	1.000 EA
048156 GASKET, ZINC 3.0 BPMG	1.000 EA
048159 O-RING, FUEL PUMP MOUNT 3.0BPMG	1.000 EA
048161 SEAL, OIL CRANKSHAFT UPPER BPMG	1.000 EA
048163 GASKET, HEAD COVER 3.0 BPMG	1.000 EA
048164 SEAL, OIL CAMSHAFT 3.0 BPMG	1.000 EA
048165 O-RING, OIL PUMP SMALL 3.0 BPMG	1.000 EA
048166 O-RING, OIL PUMP MED 3.0 BPMG	1.000 EA
048167 O-RING, OIL PUMP LARGE 3.0 BPMG	2.000 EA
048168 SEAL, OIL CRANKSHAFT LOWER BPMG	1.000 EA
048170 GASKET, INTAKE MANIFOLD 3.0BPMG	1.000 EA
048171 GASKET, EXHAUST COVER 3.0 BPMG	1.000 EA
048172 SEAL, VALVE STEM-INTAKE BLACK	2.000 EA
048173 SEAL, VALVE STEM-EXHAUST GREEN	2.000 EA
048174 GASKET, BREATHER 3.0 BPMG	1.000 EA
048866 O-RING, OIL PUMP MOUNT 3.0 BPMG	1.000 EA

R.C.B. 05/30/07



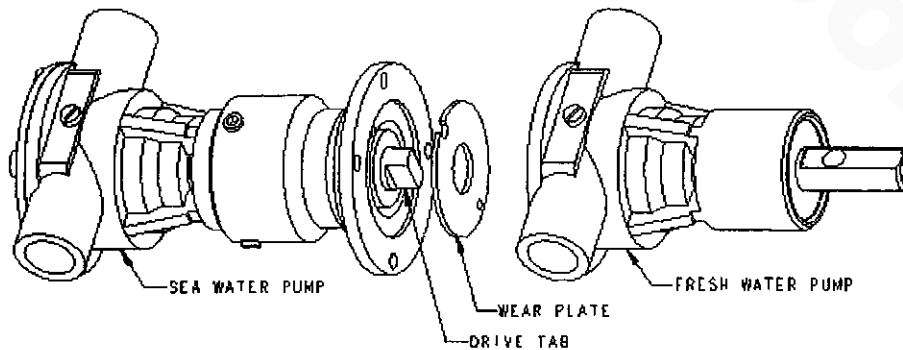
FRESH WATER COOLING KIT
3.0 BPMG

PARTS LIST:

ITEM #	P/N	DESCRIPTION	QTY
1	11341	CLAMP, HOSE 08	8
2	241019	ELBOW 3/8 NPT x 1/2 HOSE	2
3	24977	TANK KIT, COOLANT RECOVERY	1
4	47970	PUMP, SEA WATER UPPER BPMG	1
5	48065	IMPELLER KIT PUMP 46814	1
6	48364	HOUSING, THERMOSTAT FW SUB-ASSY	1
7	48150	GASKET, THERMOSTAT HOUSING	1
8	48156	GASKET, ZINC ANODE	1
9	48296	EXCHANGER, HEAT 3.0 BPMG	1
10	31506	1/4-20 x 1 1/4 CAPSCREW	2
11	31752	1/4 LOCK WASHER	2
12	31753	1/4 FLAT WASHER	2
13	40602	SPACER 0.750OD,0.390ID,0.440LG	2
14	15831	M8 x 1.25 x 32 STUD	2
15	31786	M8 LOCK WASHER	2
16	31787	M8 FLAT WASHER	2
17	18242	M8 NUT	2
18	48370	HOSE, SEA PUMP TO EXCHANGER	1
19	48371	HOSE, BLOCK TO EXCHANGER	1
20	48485	HOSE 1/2 WIRE INSERTED 9.25 LG	1

INSTALLATION INSTRUCTIONS:

1. Completely flush any seawater out of the engine. Refer to the *LAY-UP AND RECOMMISSIONING* section within the operator's manual.
2. Disconnect the battery.
3. Remove the impeller cover from the water pump already on the engine, it will not be reused. Replace the old impeller and o-ring. This pump will circulate coolant through the engine and heat exchanger.
4. Orient the 1/2" hose fittings in the desired position on the second pump (supplied with kit). Install the new pump assembly on top of the original pump by lining up the shaft drive tab and mounting holes. *Attach the seawater hose going to the heat exchanger before mounting the pump assembly.* Make sure to include the wear plate between the old and new pumps. This pump will circulate seawater through the heat exchanger and into the exhaust system.



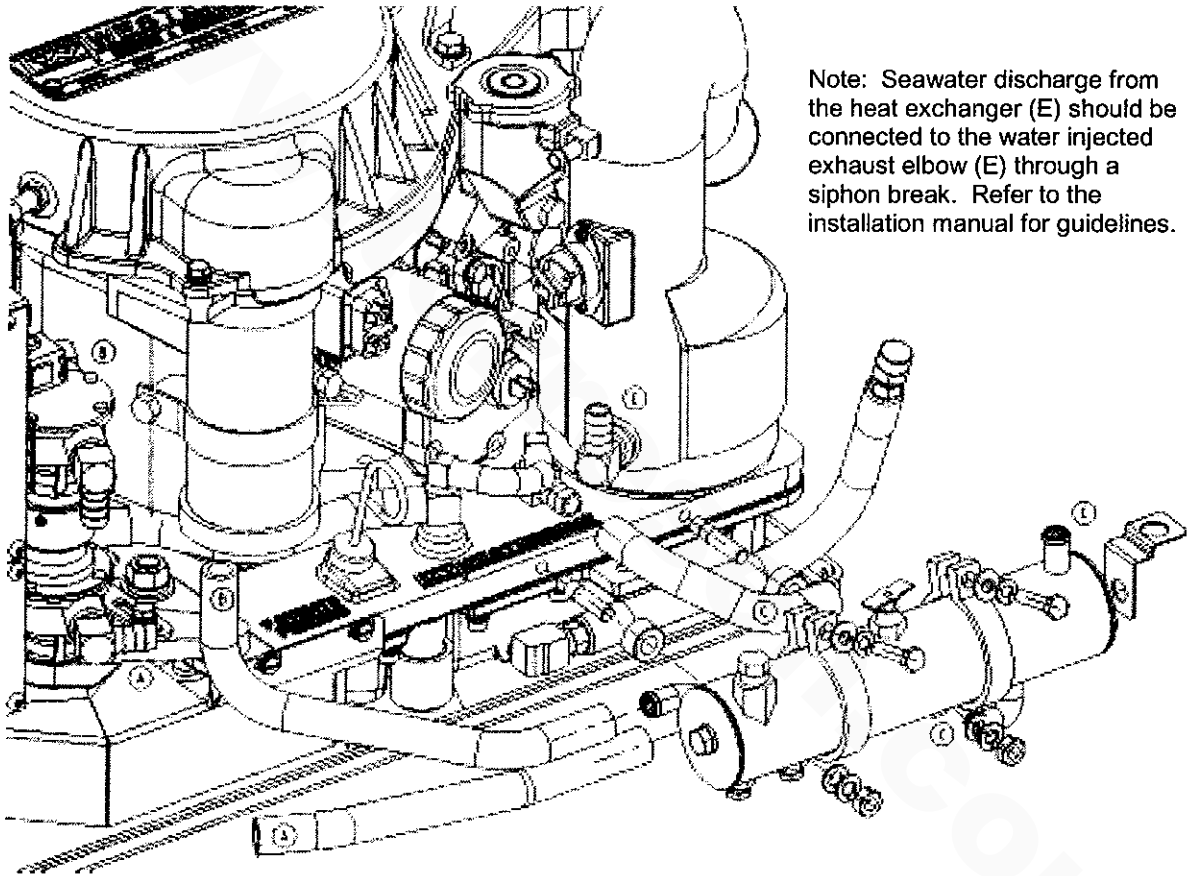
5. Remove the cover containing the engine's zinc anode. It is located below the engine thermostat housing. Discard the zinc anode and replace the cover using the new gasket (supplied with kit). Make sure to remove all of the old gasket material.





INSTALLATION INSTRUCTIONS:

6. Remove the thermostat housing already on the engine, it will not be reused. Leave the original thermostat in place. Install the new housing containing the pressure cap using a new gasket (supplied with kit). Again, make sure to remove all of the old gasket material. Use a good gasket sealant when mounting the thermostat housing.
7. Mount the coolant recovery tank (supplied with kit) above the thermostat housing and somewhere near the engine. Connect the 5/16" hose from the tank to the elbow located at the top of the new thermostat housing.
8. Install the M8 studs into the 2 threaded holes on the engine plate located above the lube oil drain hose. Assemble the two spacers and heat exchanger to the engine plate as shown in the drawing below. Connect and tighten the remaining hoses.



Note: Seawater discharge from the heat exchanger (E) should be connected to the water injected exhaust elbow (E) through a siphon break. Refer to the installation manual for guidelines.

The heat exchanger can also be remote mounted within 5 feet of the generator. The best position is below the thermostat housing as this will help eliminate air pockets. Connect the heat exchanger to the engine and water pumps using 1/2" reinforced hose.

Seawater: strainer – water pump (upper) – heat exchanger – siphon break – exhaust elbow
Freshwater: water pump (lower) – engine – heat exchanger – back to water pump (lower)

9. Fill the unit full with a 50/50 mix of distilled water and antifreeze. Use the petcock located on the heat exchanger to help eliminate any trapped air. Reconnect the battery. After briefly running the engine, check for any leaks and top off the coolant level if necessary. Also check to make sure seawater is flowing properly through the exhaust system.

