

PARTS LIST

WESTERBEKE

20B Two

30B Three

Marine Diesel Engines

Publication #037115

Edition Two

October 1994



PARTS LIST

WESTERBEKE

20B Two

30B Three

Marine Diesel Engines

Publication #037115

Edition Two

October 1994



IMPORTANT

PRODUCT SOFTWARE DISCLAIMER

Product software of all kinds such as brochures, drawings, technical data, operator's and workshop manuals, parts lists and parts price lists, and other information, instructions and specifications provided from sources other than Westerbeke, is not within Westerbeke's control and, accordingly, is provided to Westerbeke customers only as a courtesy and service. **Westerbeke cannot be responsible for the content of such software, makes no warranties or representations with respect thereto, including the accuracy, timeliness or completeness thereof, and will in no event be liable for any type of damages or injury incurred in connection with, or arising out of, the furnishing or use of such software.**

For example, components and subassemblies incorporated in Westerbeke's products and supplied by others (such as engine blocks, fuel systems and components, transmissions, electrical components, pumps and other products) are generally supported by their manufacturers with their own software, and Westerbeke must depend on such software for the design of Westerbeke's own product software. Such software may be outdated and no longer accurate. Routine changes made by Westerbeke's suppliers, of which Westerbeke rarely has notice in advance, are frequently not reflected in the supplier's software until after such changes take place.

Westerbeke customers should also keep in mind the time span between printings of Westerbeke product software, and the unavoidable existence of earlier, non-current Westerbeke software editions in the field. Additionally, most Westerbeke products include customer-requested special features that frequently do not include complete documentation.

In summation, product software provided with Westerbeke products, whether from Westerbeke or other suppliers, must not and cannot be relied upon exclusively as the definitive authority on the respective product. It not only makes good sense but is imperative that appropriate representatives of Westerbeke or the supplier in question be consulted to determine the accuracy and currency of the product software being consulted by the customer.

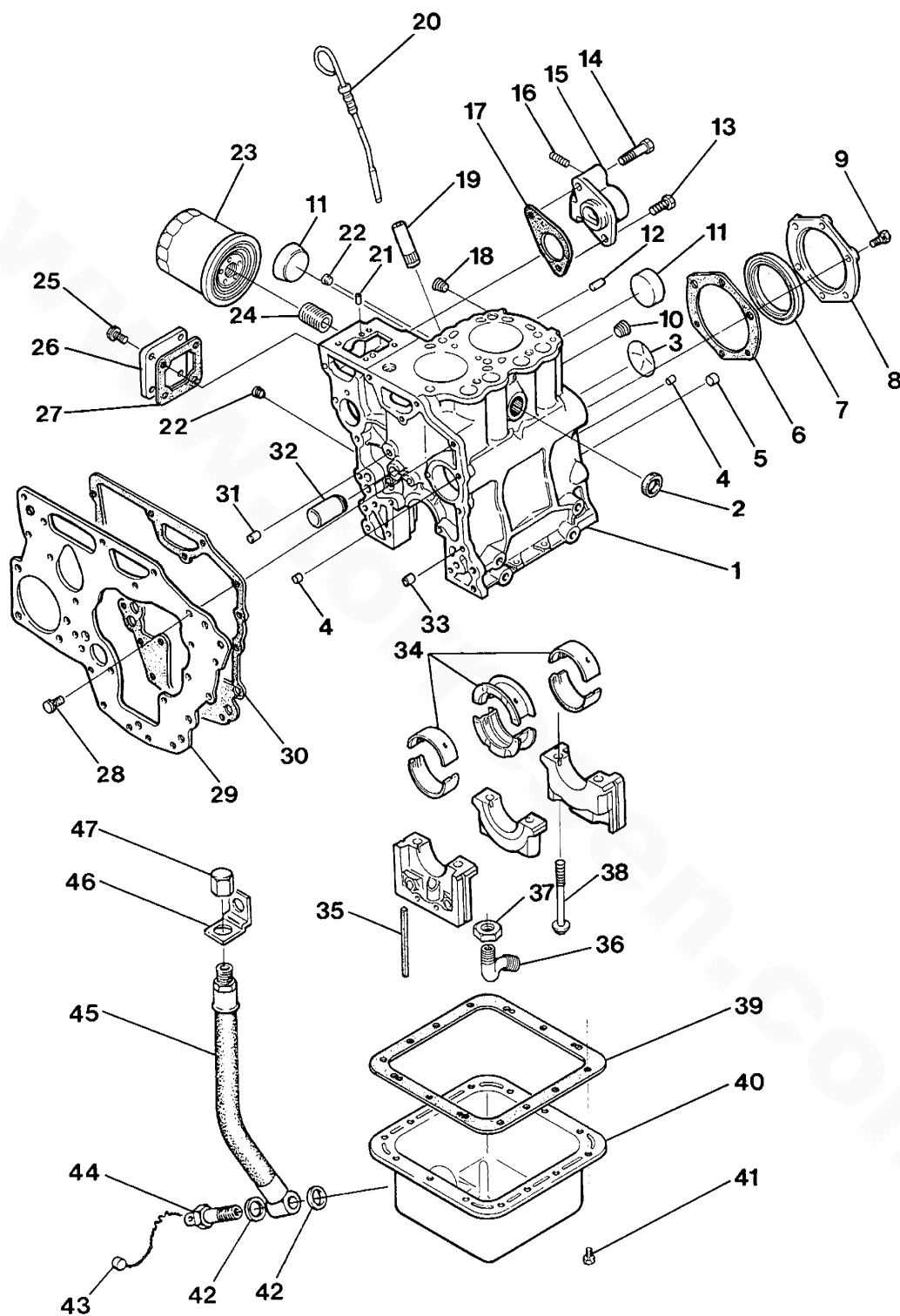
20B TWO PROPULSION ENGINE

30B THREE PROPULSION ENGINE

TABLE OF CONTENTS

PAGE	DESCRIPTION
100	20B TWO - CYLINDER BLOCK
104	30B THREE CYLINDER BLOCK
108	20B TWO - CYLINDER HEAD - VALVES - ROCKER SHAFT
110	30B THREE - CYLINDER HEAD - VALVES - ROCKER SHAFT
112	20B TWO - CRANKSHAFT - PISTONS
114	30B THREE - CRANKSHAFT - PISTONS
116	20B TWO - 30B THREE - CAMSHAFT - TIMING SYSTEM
120	20B TWO - COOLING SYSTEM
124	30B THREE - COOLING SYSTEM
128	20B TWO - 30B THREE - SEA WATER PUMP
130	20B TWO - 30B THREE - GOVERNOR SYSTEM
134	20B TWO - FUEL SYSTEM
138	30B THREE - FUEL SYSTEM
142	20B TWO - 30B THREE - ELECTRICAL SYSTEM
146	20B TWO - 30B THREE - INSTRUMENT PANELS
148	20B TWO - 30B THREE - BACK END - MODEL JS TRANSMISSION
152	30B THREE - V-DRIVE BACK END TO DECEMBER 1993
156	20B TWO - 30B THREE - HBW BACK END FROM DEC. 1993
158	20B TWO - 30B THREE - TRANSMISSION SHIFTING BRACKET
160	20B TWO - 30B THREE - MISCELLANEOUS
	20B TWO - 30B THREE - NUMERICAL INDEX

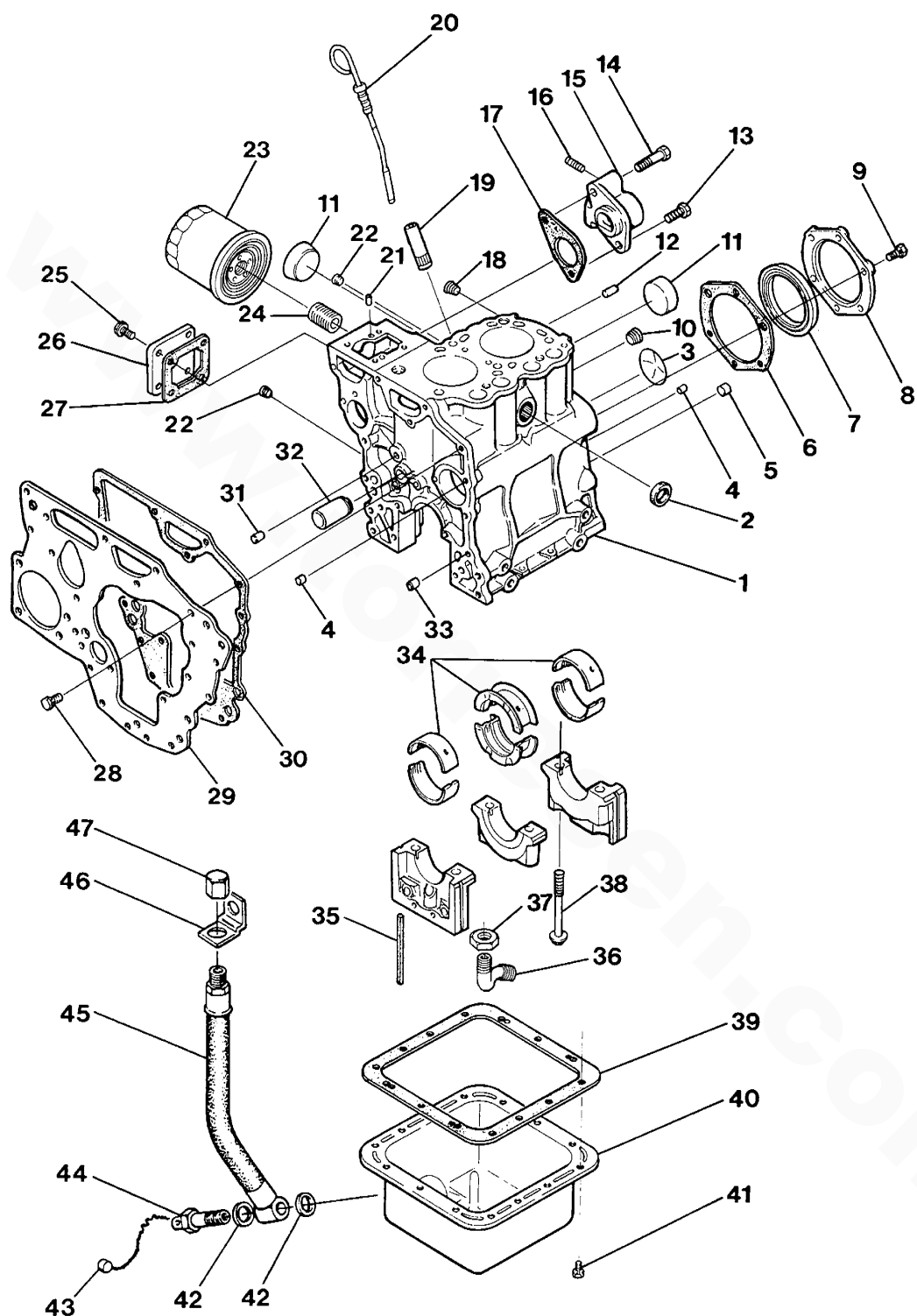
WESTERBEKE 20B TWO - CYLINDER BLOCK



WESTERBEKE 20B TWO - CYLINDER BLOCK

REF	PN	NAME	REMARKS	QUAN
1-1	037173	BLOCK	ASSEMBLY INCLUDING HEAD	1
1-2	036985	BLOCK	BARE	1
2	024373	PLUG	EXPANSION 25MM DIN 443	1
3	036940	PLUG	EXPANSION 35MM DIN 470	1
4	033212	DOWEL	TUBULAR 6 X 9	2
5	030708	DOWEL	TUBULAR 10 X 9	3
6	036963	GASKET	OIL SEAL FLANGE	1
7	036917	SEAL	OIL	1
8	036945	FLANGE	OIL SEAL	1
9	018804	CAPSCREW	M 6 X 20 DIN 933	6
10	030712	PLUG	1/4 BSPT DIN 906	1
11	033657	PLUG	EXPANSION 40MM DIN 443	2
12	030272	DOWEL		1
13	017196	CAPSCREW	M 8 X 20 DIN 933	1
14	024948	CAPSCREW	M 8 X 45 DIN 931	1
15	037074	ADAPTER	LIFT PUMP	1
16	018249	STUD	M 6 X 16 DIN 939	2
17	036987	GASKET	LIFT PUMP ADAPTER TO BLOCK	1
18	013341	PLUG	1/4 NPT HEX HEAD BRASS	1
19	037073	TUBE	DIPSTICK	1
20	037072	DIPSTICK		1
21	036943	DOWEL		2
22	030239	PLUG	1/16	3
23	036918	FILTER	OIL	1
24	030214	NIPPLE	OIL FILTER	1
25-1	031810	CAPSCREW	M 6 X 14 DIN 933	4
25-2	031783	LOCKWASHER	M 6 DIN 127	4
26	037045	COVER	TIE ROD	1
27	036981	GASKET	TIE ROD COVER	1
28-1	031810	CAPSCREW	M 6 X 14 DIN 933	7
28-2	031783	LOCKWASHER	M 6 DIN 127	7
29	036997	PLATE	FRONT	1
30	037004	GASKET	FRONT PLATE	1
31	030707	DOWEL	TUBULAR 8 X 13	2
32	037005	SHAFT	IDLER	1
33	037114	DOWEL	TUBULAR 6 X 13	1
34-1	037031	BEARING	SET-MAIN STD	1
34-2	037064	BEARING	SET-MAIN 0.25 MM	1
34-3	037065	BEARING	SET-MAIN 0.50 MM	1

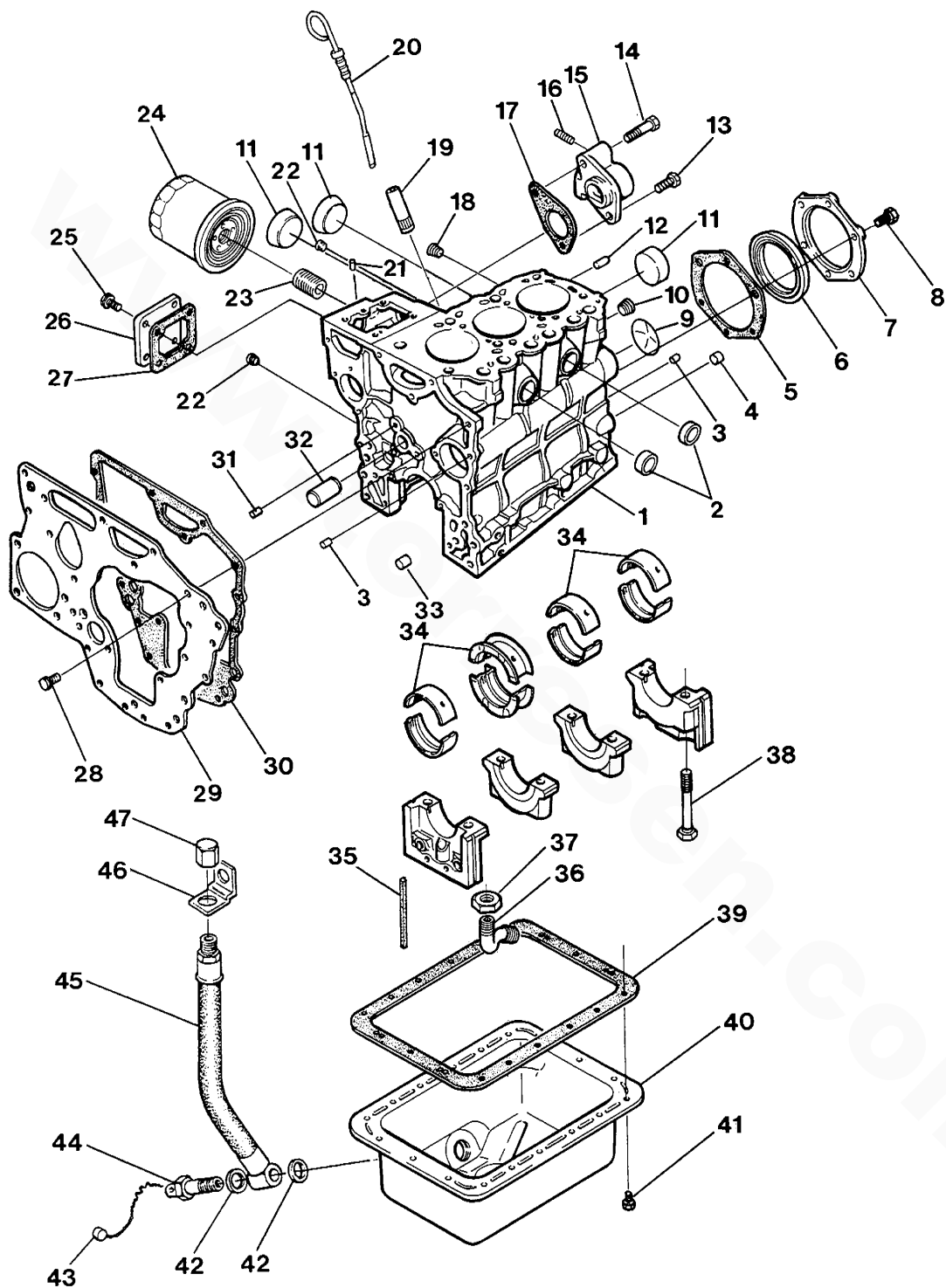
WESTERBEKE 20B TWO - CYLINDER BLOCK



WESTERBEKE 20B TWO - CYLINDER BLOCK

REF	PN	NAME	REMARKS	QUAN
35	036962	SEAL	SIDE MAIN BEARING CAP	4
36	037068	STRAINER	OIL PICKUP INCLUDING NUT	1
37	031809	NUT	M14 X 1.5 JAM	1
38	036916	BOLT	MAIN BEARING CAP	6
39	037032	GASKET	SUMP	1
40	037094	SUMP	LUBE OIL	1
41-1	031825	CAPSCREW	M 6 X 12 DIN 933	14
41-2	031783	LOCKWASHER	M 6 DIN 127	14
42	036493	WASHER	SUMP DRAIN BANJO	2
43	037393	SEAL	LEAD WIRE	1
44	036819	BOLT	BANJO-SUMP DRAIN	1
45	033056	HOSE	SUMP DRAIN	1
46	024922	BRACKET	SUMP DRAIN HOSE	1
47	024905	CAP	SUMP DRAIN HOSE	1

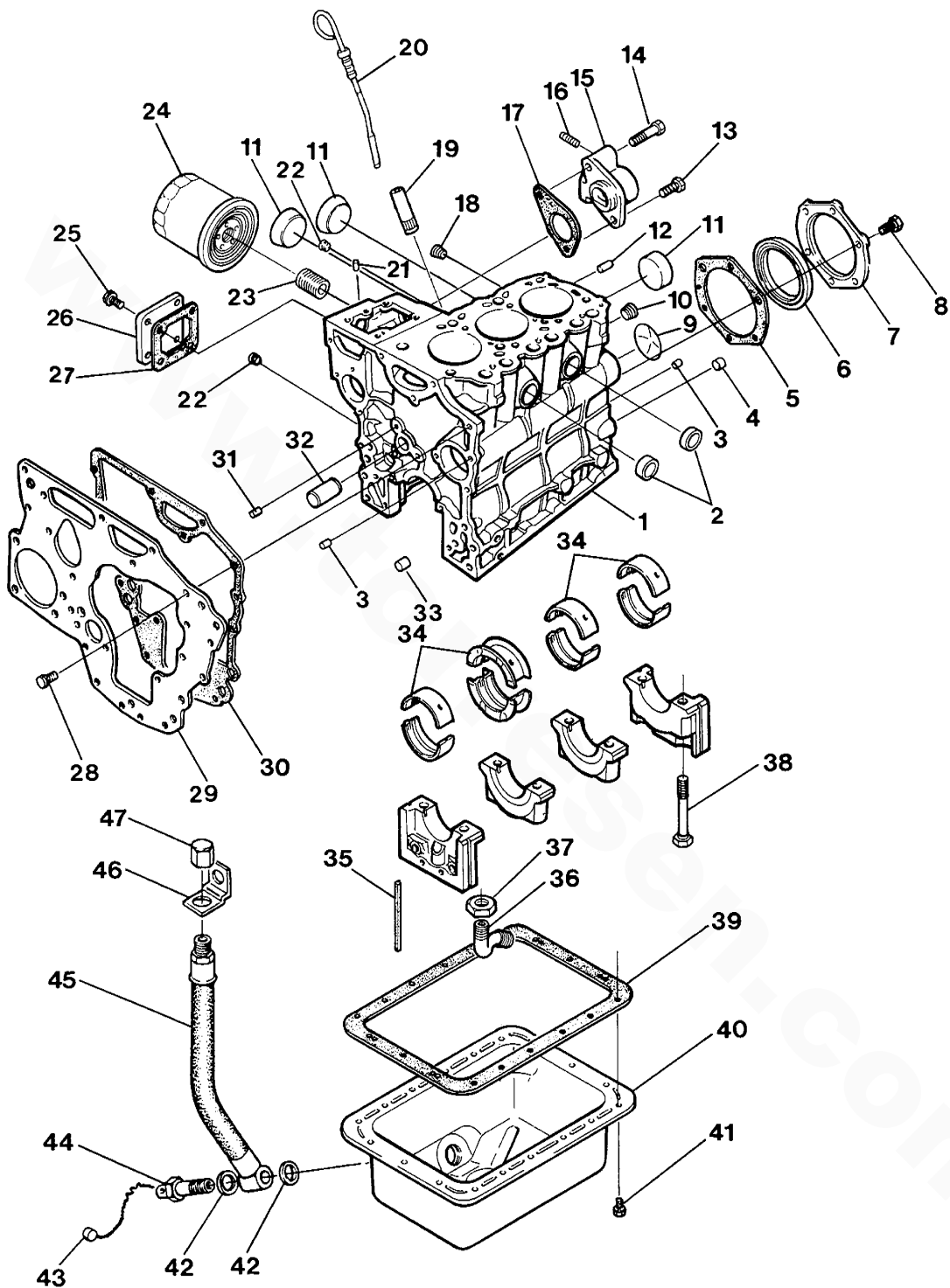
WESTERBEKE 30B THREE - CYLINDER BLOCK



WESTERBEKE 30B THREE - CYLINDER BLOCK

REF	PN	NAME	REMARKS	QUAN
1-1	037604	BLOCK	ASSEMBLY INCLUDING HEAD	1
1-2	036984	BLOCK	BARE	1
2	024373	PLUG	EXPANSION 25MM DIN 443	2
3	033212	DOWEL	TUBULAR 6 X 9	2
4	030708	DOWEL	TUBULAR 10 X 9	3
5	036963	GASKET	OIL SEAL FLANGE	1
6	036917	SEAL	OIL	1
7	036945	FLANGE	OIL SEAL	1
8	018804	CAPSCREW	M 6 X 20 DIN 933	6
9	036940	PLUG	EXPANSION 35MM DIN 470	1
10	030712	PLUG	1/4 BSPT DIN 906	1
11	033657	PLUG	EXPANSION 40MM DIN 443	3
12	030272	DOWEL		1
13	017196	CAPSCREW	M 8 X 20 DIN 933	1
14	024948	CAPSCREW	M 8 X 45 DIN 931	1
15	037074	ADAPTER	LIFT PUMP	1
16	018249	STUD	M 6 X 16 DIN 939	2
17	036987	GASKET	LIFT PUMP ADAPTER TO BLOCK	1
18	013341	PLUG	1/4 NPT HEX HEAD BRASS	1
19	037073	TUBE	DIPSTICK	1
20	037072	DIPSTICK		1
21	036943	DOWEL		2
22	030239	PLUG	1/16	3
23	030214	NIPPLE	OIL FILTER	1
24	036918	FILTER	LUBE OIL	1
25-1	031810	CAPSCREW	M 6 X 14 DIN 933	4
25-2	031783	LOCKWASHER	M 6 DIN 127	4
26	037045	COVER	TIE ROD	1
27	036981	GASKET	TIE ROD COVER	1
28-1	031810	CAPSCREW	M 6 X 14 DIN 933	7
28-2	031783	LOCKWASHER	M 6 DIN 127	7
29	036997	PLATE	FRONT	1
30	037004	GASKET	FRONT PLATE	1
31	030707	DOWEL	TUBULAR 8 X 13	2
32	037005	SHAFT	IDLER	1
33	037114	DOWEL	TUBULAR 6 X 13	1
34-1	037018	BEARING	SET-MAIN STD	1
34-2	037062	BEARING	SET-MAIN 0.25 MM	1
34-3	037063	BEARING	SET-MAIN 0.50 MM	1

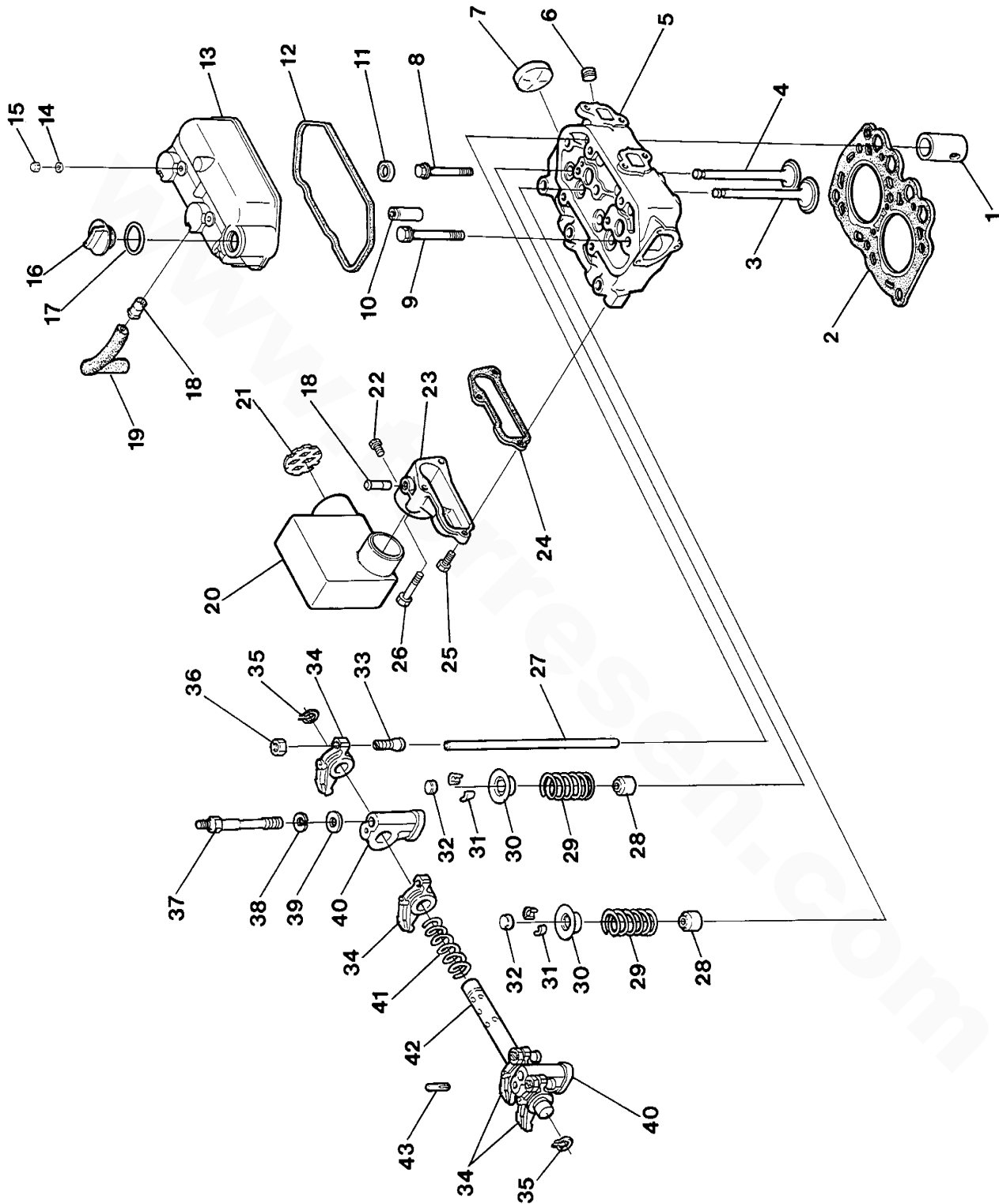
WESTERBEKE 30B THREE - CYLINDER BLOCK



WESTERBEKE 30B THREE - CYLINDER BLOCK

REF	PN	NAME	REMARKS	QUAN
35	036962	SEAL	SIDE MAIN BEARING CAP	4
36	037068	STRAINER	OIL PICKUP INCLUDING NUT	1
37	031809	NUT	M14 X 1.5 JAM	1
38	036916	BOLT	MAIN BEARING CAP	8
39	036988	GASKET	LUBE OIL SUMP	1
40	037095	SUMP	LUBE OIL	1
41-1	031825	CAPSCREW	M 6 X 12 DIN 933	18
41-2	031783	LOCKWASHER	M 6 DIN 127	18
42	036493	WASHER	SUMP DRAIN BANJO	2
43	037393	SEAL	LEAD WIRE	1
44	036819	BOLT	BANJO-SUMP DRAIN	1
45-1	033691	HOSE	SUMP DRAIN	1
45-2	034746	HOSE	SUMP DRAIN V-DRIVE	1
46	024922	BRACKET	SUMP DRAIN HOSE	1
47	024905	CAP	SUMP DRAIN HOSE	1

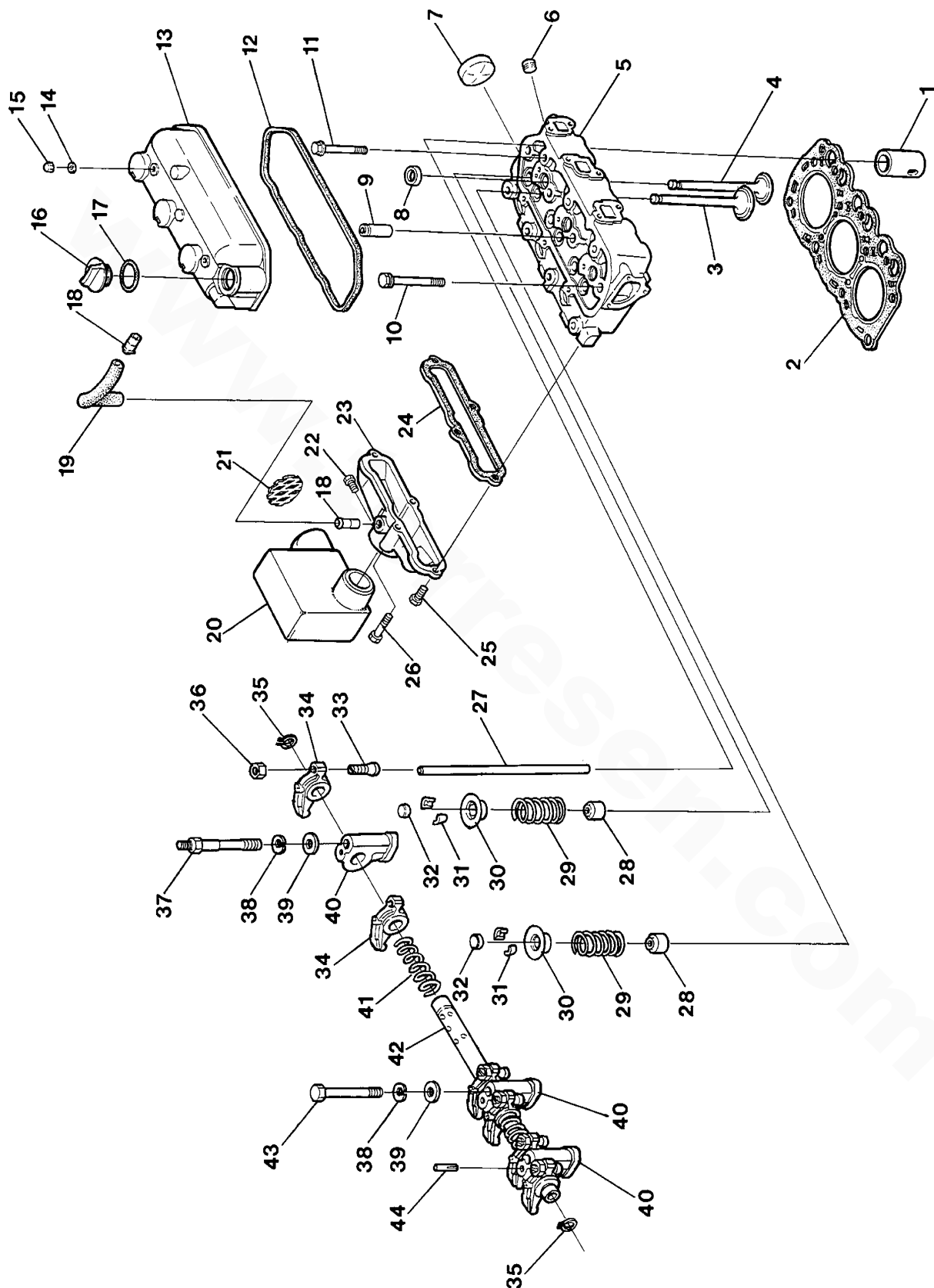
WESTERBEKE 20B TWO - CYLINDER HEAD - VALVES - ROCKER SHAFT



WESTERBEKE 20B TWO - CYLINDER HEAD - VALVES - ROCKER SHAFT

REF	PN	NAME	REMARKS	QUAN
1	037056	TAPPET		4
2	036977	GASKET	CYLINDER HEAD	1
3	036958	VALVE	INTAKE	2
4	036959	VALVE	EXHAUST	2
5	037085	HEAD	CYLINDER INCLUDING GUIDES	1
6	030711	PLUG	1/8 BSPT DIN 906	1
7	033657	PLUG	EXPANSION 40MM DIN 443	1
8	036919	BOLT	CYLINDER HEAD M 8 X 70	2
9	036954	BOLT	CYLINDER HEAD M10 X 83	6
10	033134	GUIDE	VALVE	4
11	024369	PLUG	EXPANSION 20MM DIN 443	2
12	037039	GASKET	ROCKER COVER	1
13	037052	COVER	ROCKER	1
14	031784	WASHER	M 6 DIN 125	2
15	036936	NUT	CAP M 6	2
16	033126	CAP	OIL FILLER INCLUDING O-RING	1
17	033123	O-RING	OIL FILLER CAP	1
18	030219	NIPPLE	BREATHER HOSE	2
19	037046	HOSE	BREATHER	1
20	037191	SILENCER	AIR INTAKE	1
21	034620	SCREEN	AIR INTAKE SILENCER	1
22-1	017012	CAPSCREW	M 6 X 16 DIN 933	1
22-2	031783	LOCKWASHER	M 6 DIN 127	1
22-3	031784	WASHER	M 6 DIN 125	1
23	037041	MANIFOLD	INTAKE	1
24	037042	GASKET	INTAKE MANIFOLD TO HEAD	1
25	018804	CAPSCREW	M 6 X 20 DIN 933	1
26	034642	CAPSCREW	M 6 X 45 DIN 931	2
27	037026	PUSHROD		4
28	030242	SEAL	VALVE STEM	4
29	036986	SPRING	VALVE	4
30	033149	SEAT	VALVE SPRING	4
31	030241	COLLET	VALVE SPRING	8
32	036979	CAP	VALVE STEM	4
33	037029	SCREW	ROCKER ADJUSTING	4
34	037027	ROCKER		4
35	033124	SNAPRING		2
36	031801	NUT	M 6 JAM	4
37	037053	BOLT	ROCKER BRACKET	2
38	031786	LOCKWASHER	M 8 DIN 127	2
39	031787	WASHER	M 8 DIN 125	2
40	033152	BRACKET	ROCKER	2
41	033151	SPRING	ROCKER SHAFT	1
42	036971	SHAFT	ROCKER	1
43	036960	PIN	GROOVED	1

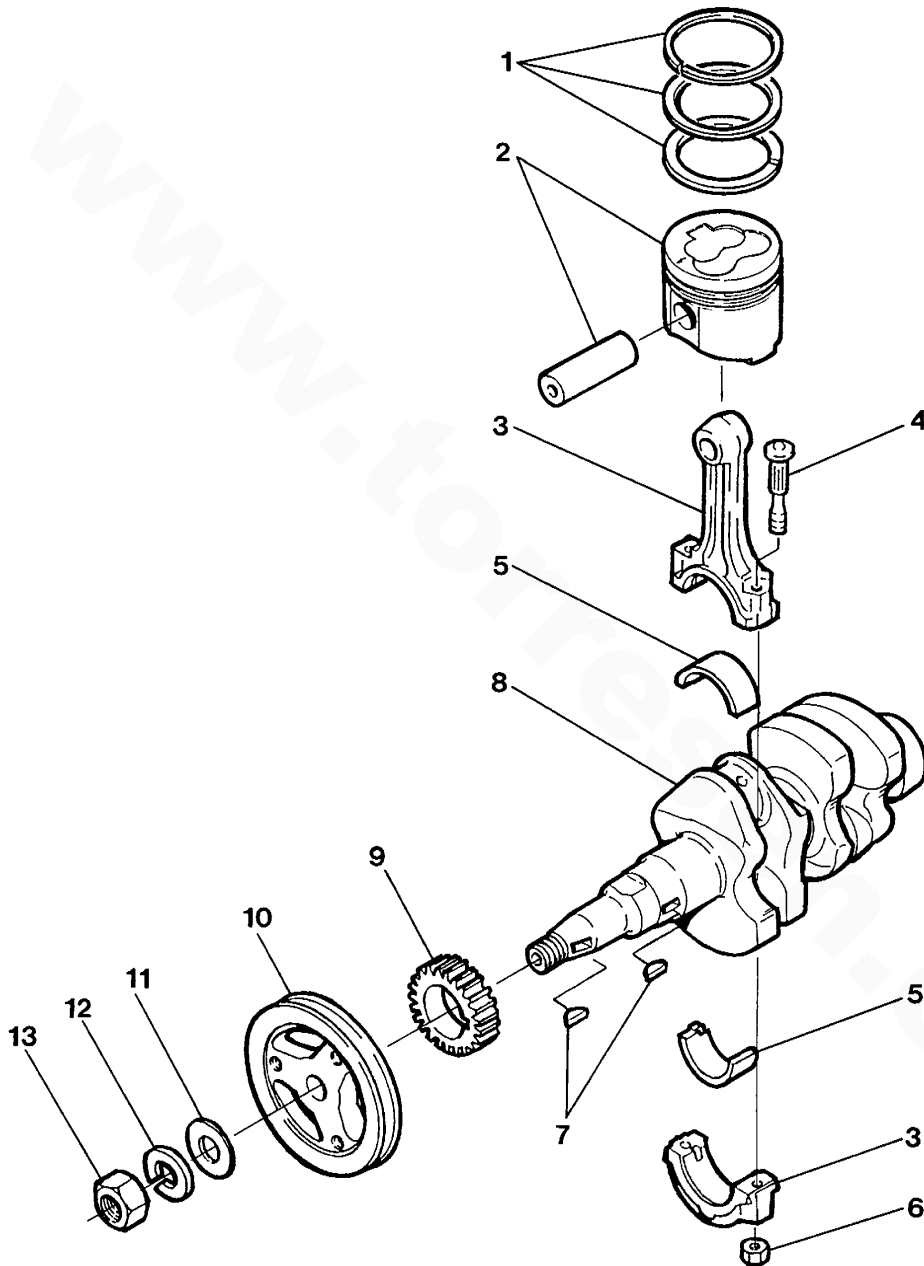
WESTERBEKE 30B THREE - CYLINDER HEAD - VALVES - ROCKER SHAFT



WESTERBEKE 30B THREE - CYLINDER HEAD - VALVES - ROCKER SHAFT

REF	PN	NAME	REMARKS	QUAN
1	037056	TAPPET		6
2	036969	GASKET	CYLINDER HEAD	1
3	036958	VALVE	INTAKE	3
4	036959	VALVE	EXHAUST	3
5	037084	HEAD	CYLINDER INCLUDING GUIDES	1
6	030711	PLUG	1/8 BSPT DIN 906	1
7	033657	PLUG	EXPANSION 40MM DIN 443	1
8	024369	PLUG	EXPANSION 20MM DIN 443	3
9	033134	GUIDE	VALVE	6
10	036954	BOLT	CYLINDER HEAD M10 X 83	8
11	036919	BOLT	CYLINDER HEAD M 8 X 70	3
12	037007	GASKET	ROCKER COVER	1
13	037087	COVER	ROCKER	1
14	031784	WASHER	M 6 DIN 125	2
15	036936	NUT	CAP M 6	2
16	033126	CAP	OIL FILLER INCLUDING O-RING	1
17	033123	O-RING	OIL FILLER CAP	1
18	030219	NIPPLE	BREATHER HOSE	2
19	037046	HOSE	BREATHER	1
20	036342	SILENCER	AIR INTAKE	1
21	034620	SCREEN	AIR INTAKE SILENCER	1
22-1	017012	CAPSCREW	M 6 X 16 DIN 933	1
22-2	031783	LOCKWASHER	M 6 DIN 127	1
22-3	031784	WASHER	M 6 DIN 125	1
23	037008	MANIFOLD	INTAKE	1
24	036980	GASKET	INTAKE MANIFOLD TO HEAD	1
25	018804	CAPSCREW	M 6 X 20 DIN 933	2
26	034642	CAPSCREW	M 6 X 45 DIN 931	2
27	037026	PUSHROD		6
28	030242	SEAL	VALVE STEM	6
29	036986	SPRING	VALVE	6
30	033149	SEAT	VALVE SPRING	6
31	030241	COLLET	VALVE SPRING	12
32	036979	CAP	VALVE STEM	6
33	037029	SCREW	ROCKER ADJUSTING	6
34	037027	ROCKER		6
35	033124	SNAPRING		2
36	031801	NUT	M 6 JAM	6
37	037053	BOLT	ROCKER BRACKET	2
38	031786	LOCKWASHER	M 8 DIN 127	3
39	031787	WASHER	M 8 DIN 125	3
40	033152	BRACKET	ROCKER	3
41	033151	SPRING	ROCKER SHAFT	2
42	036967	SHAFT	ROCKER	1
43	031225	CAPSCREW	M 8 X 60 DIN 931	1
44	036960	PIN	GROOVED	1

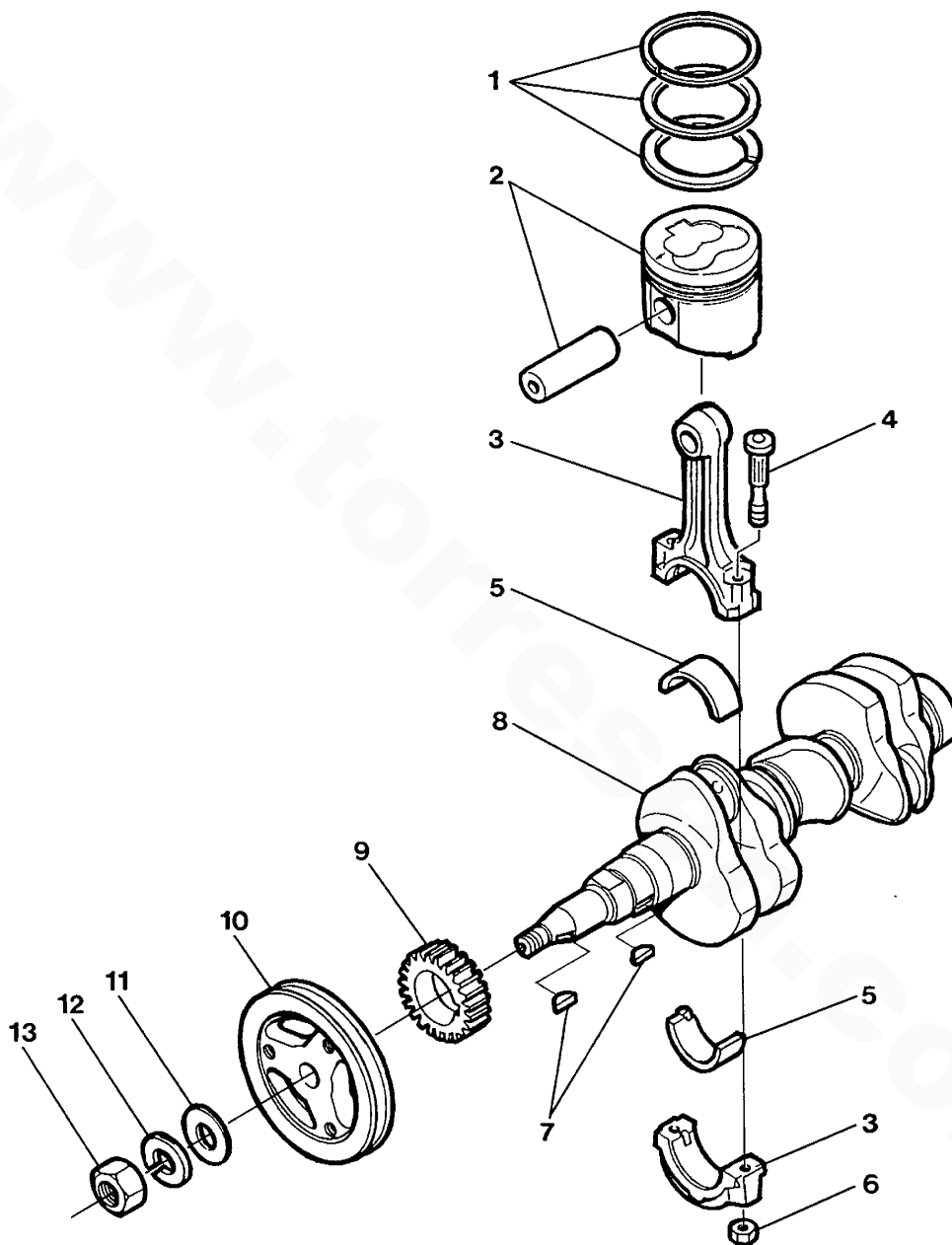
WESTERBEKE 20B TWO - CRANKSHAFT - PISTONS



WESTERBEKE 20B TWO - CRANKSHAFT - PISTONS

REF	PN	NAME	REMARKS	QUAN
1-1	037047	RING SET	PISTON STD	2
1-2	037060	RING SET	PISTON 0.25 MM	2
1-3	037061	RING SET	PISTON 0.50 MM	2
2-1	037071	PISTON	INCLUDING PIN STD	2
2-2	037058	PISTON	INCLUDING PIN 0.25 MM	2
2-3	037059	PISTON	INCLUDING PIN 0.50 MM	2
3	037077	ROD	CONNECTING INCLUDING BOLT AND NUT	2
4	036914	BOLT	CONNECTING ROD	4
5-1	037069	BEARING	SET-CONNECTING ROD STD	2
5-2	037066	BEARING	SET-CONNECTING ROD 0.25 MM	2
5-3	037067	BEARING	SET-CONNECTING ROD 0.50 MM	2
6	030231	NUT	CONNECTING ROD BOLT	4
7	030274	KEY	WOODRUFF	2
8	036992	CRANKSHAFT		1
9	036994	GEAR	CRANKSHAFT	1
10	037083	PULLEY	CRANKSHAFT	1
11	037167	WASHER	M16	1
12	037168	LOCKWASHER	M16	1
13	033538	NUT	M16 JAM	1

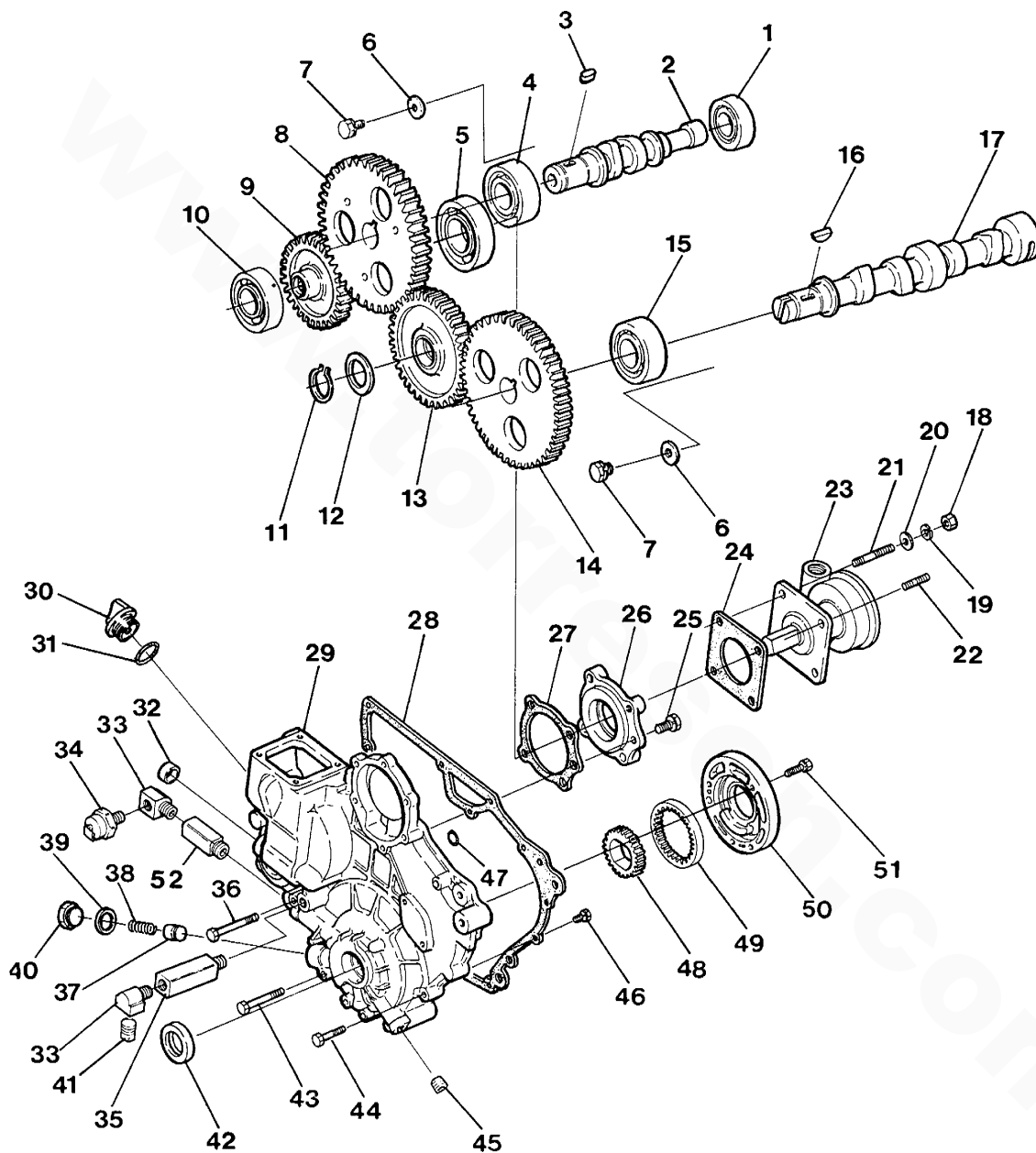
WESTERBEKE 30B THREE - CRANKSHAFT - PISTONS



WESTERBEKE 30B THREE - CRANKSHAFT - PISTONS

REF	PN	NAME	REMARKS	QUAN
1-1	037047	RING SET	PISTON STD	3
1-2	037060	RING SET	PISTON 0.25 MM	3
1-3	037061	RING SET	PISTON 0.50 MM	3
2-1	037071	PISTON	INCLUDING PIN STD	3
2-2	037058	PISTON	INCLUDING PIN 0.25 MM	3
2-3	037059	PISTON	INCLUDING PIN 0.50 MM	3
3	037077	ROD	CONNECTING INCLUDING BOLT AND NUT	3
4	036914	BOLT	CONNECTING ROD	6
5-1	037069	BEARING	SET-CONNECTING ROD STD	3
5-2	037066	BEARING	SET-CONNECTING ROD 0.25 MM	3
5-3	037067	BEARING	SET-CONNECTING ROD 0.50 MM	3
6	030231	NUT	CONNECTING ROD BOLT	6
7	030274	KEY	WOODRUFF	2
8-1	036991	CRANKSHAFT	TO DECEMBER 1992	1
8-2	040926	CRANKSHAFT	FROM DECEMBER 1992	1
9	036994	GEAR	CRANKSHAFT	1
10-1	036993	PULLEY	CRANKSHAFT 36991	1
10-2	040925	PULLEY	CRANKSHAFT 40926	1
11	037167	WASHER	M16	1
12	037168	LOCKWASHER	M16	1
13	033538	NUT	M16 JAM	1

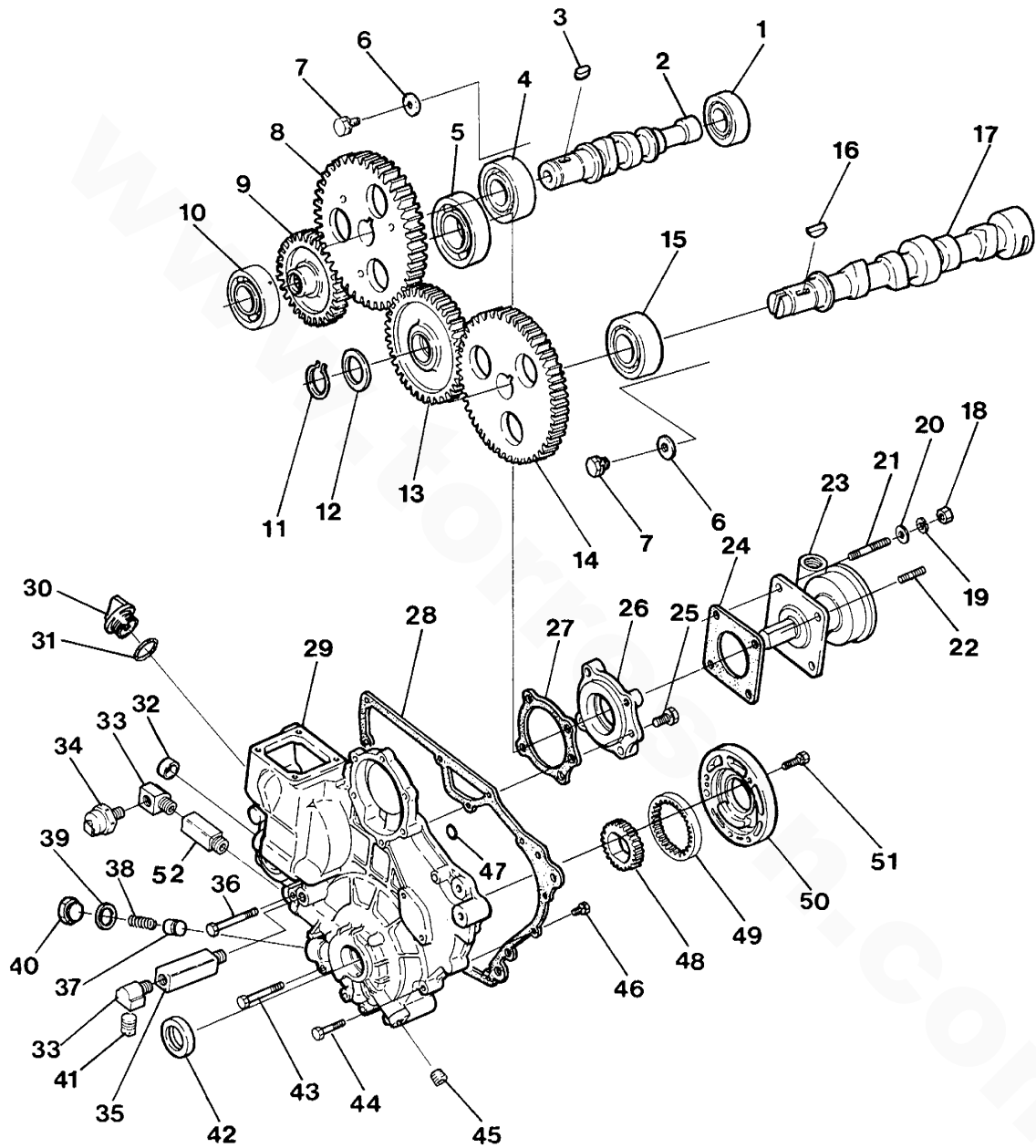
WESTERBEKE 20B TWO - 30B THREE - CAMSHAFT - TIMING SYSTEM



WESTERBEKE 20B TWO - 30B THREE - CAMSHAFT - TIMING SYSTEM

REF	PN	NAME	REMARKS	QUAN
1	036949	BEARING	BALL	1
2-1	037076	CAMSHAFT	INJECTION PUMP 2 CYLINDER	1
2-2	037075	CAMSHAFT	INJECTION PUMP 3 CYLINDER	1
3	030273	KEY		1
4	036948	BEARING	BALL	1
5	036950	BEARING	BALL	1
6	036970	WASHER	CAMSHAFT RETAINING	2
7-1	031825	CAPSCREW	M 6 X 12 DIN 933	2
7-2	031783	LOCKWASHER	M 6 DIN 127	2
8	037006	GEAR	INJECTION PUMP CAMSHAFT	1
9	036996	GEAR	SEA WATER PUMP DRIVE	1
10	036948	BEARING	BALL	1
11	030280	SNAPRING	20	1
12	036978	SPACER		1
13	037025	GEAR	IDLER	1
14	036995	GEAR	CAMSHAFT	1
15	036948	BEARING	BALL	1
16	030274	KEY	WOODRUFF	1
17-1	036972	CAMSHAFT	2 CYLINDER	1
17-2	037017	CAMSHAFT	3 CYLINDER	1
18	018242	NUT	M 8 DIN 934	4
19	031786	LOCKWASHER	M 8 DIN 127	4
20	031787	WASHER	M 8 DIN 125	4
21	031281	STUD	M 8 X 40 DIN 939	3
22	015828	STUD	M 8 X 22 DIN 939	1
23	033636	PUMP	SEA WATER	1
24	030326	GASKET	SEA WATER PUMP MOUNTING	1
25-1	013630	CAPSCREW	M 8 X 25 DIN 933	1
25-2	031786	LOCKWASHER	M 8 DIN 127	1
26	036946	HOUSING	BEARING	1
27	036982	GASKET	HOUSING	1
28	037019	GASKET	GEAR CASE	1
29	037086	CASE	GEAR	1
30	033126	CAP	OIL FILLER INCLUDING O-RING	1
31	033123	O-RING	OIL FILLER CAP	1
32	036968	CAP	SEALING	1
33	013340	ELBOW	1/8 NPT STREET 90	2
34-1	034761	SWITCH	OIL PRESSURE 1 TERMINAL TO 12/88	1
34-2	037323	SWITCH	OIL PRESSURE 2 TERMINAL FROM 12/88	1
35	024844	ADAPTER	1/8 BSPT TO 1/8 NPT	1
36	034397	CAPSCREW	M 6 X 65 DIN 931	1

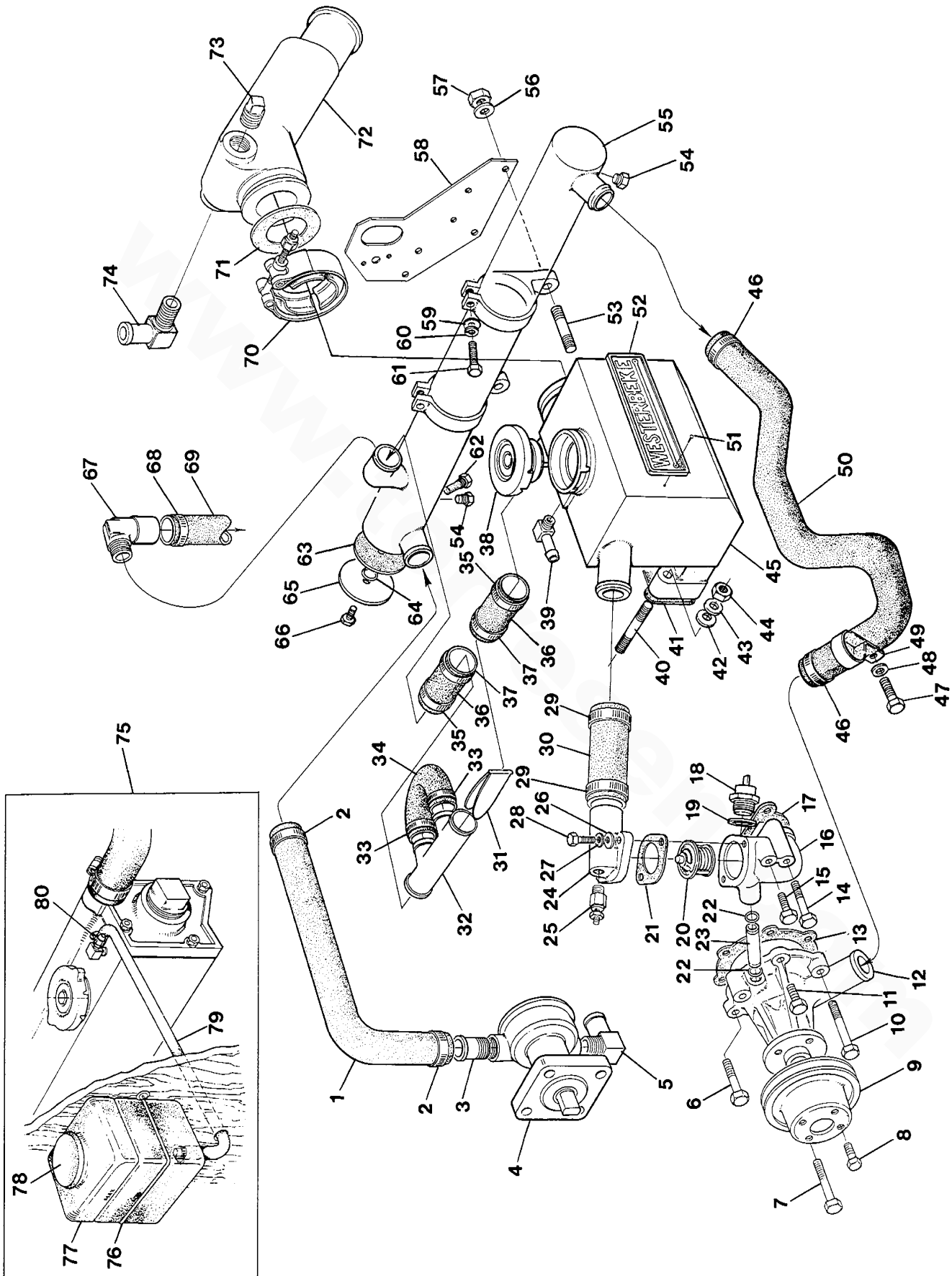
WESTERBEKE 20B TWO - 30B THREE - CAMSHAFT - TIMING SYSTEM



WESTERBEKE 20B TWO - 30B THREE - CAMSHAFT - TIMING SYSTEM

REF	PN	NAME	REMARKS	QUAN
37	030244	PLUNGER	OIL RELIEF VALVE	1
38	037030	SPRING	OIL RELIEF VALVE	1
39	030225	GASKET	OIL RELIEF VALVE PLUG	1
40	030461	PLUG	OIL RELIEF VALVE	1
41-1	011615	PLUG	1/8 NPT	1
41-2	024132	SENDER	OIL PRESSURE-OPTIONAL ADMIRAL PANEL	1
42	036915	SEAL	OIL	1
43	030146	CAPSCREW	M 6 X 55 DIN 931	4
44	031824	CAPSCREW	M 6 X 35 DIN 933	3
45	030712	PLUG	1/4 BSPT DIN 906	1
46-1	031810	CAPSCREW	M 6 X 14 DIN 933	4
46-2	031783	LOCKWASHER	M 6 DIN 127	4
47	036938	O-RING		2
48	037050	GEAR	OIL PUMP INNER	1
49	037051	GEAR	OIL PUMP OUTER	1
50	037070	HOUSING	OIL PUMP	1
51-1	013590	CAPSCREW	M 6 X 30 DIN 933	3
51-2	031783	LOCKWASHER	M 6 DIN 127	3
52	037508	ADAPTER	1/8 BSPT TO 1/8 NPT	1

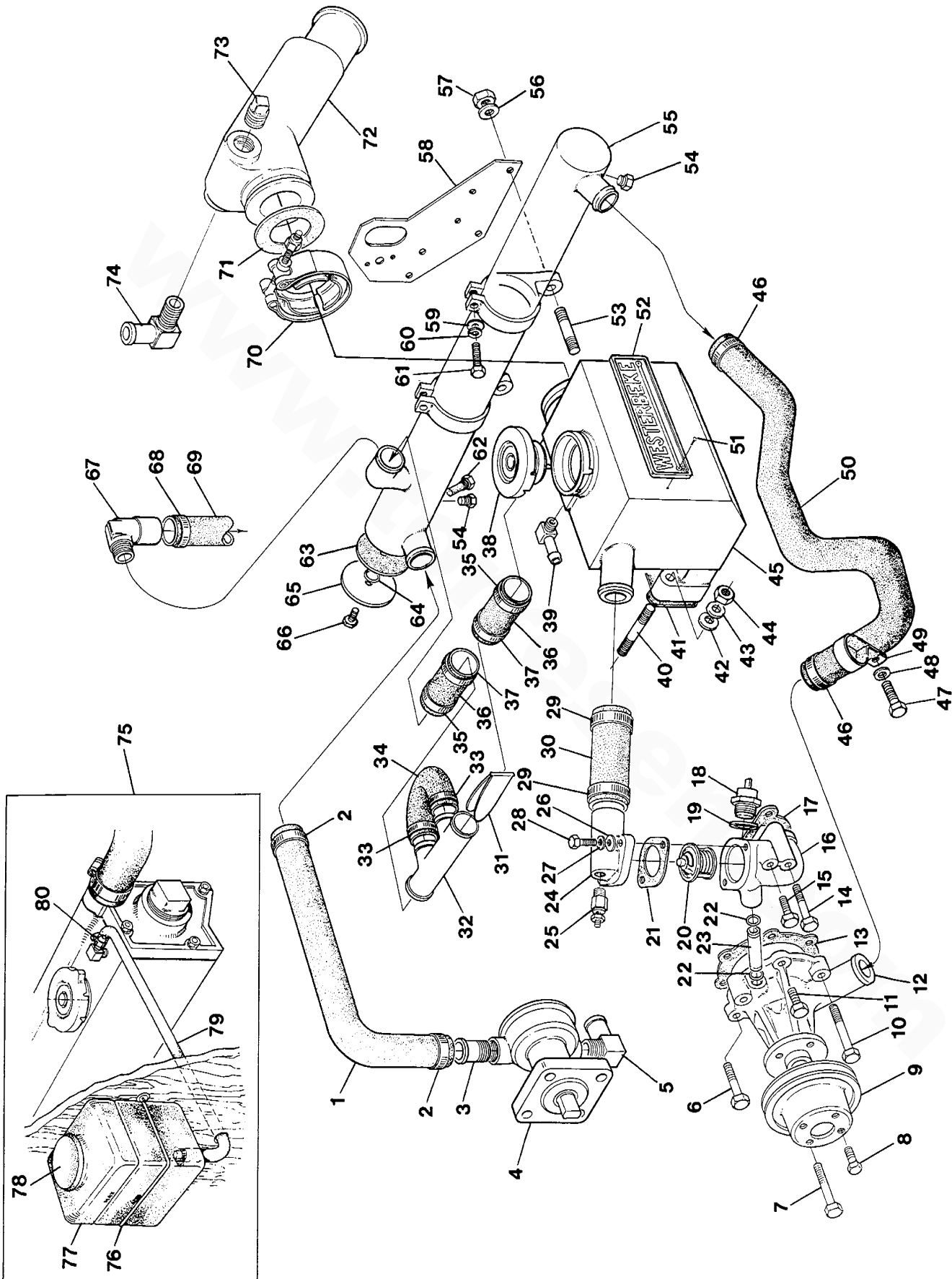
WESTERBEKE 20B TWO - COOLING SYSTEM



WESTERBEKE 20B TWO - COOLING SYSTEM

REF	PN	NAME	REMARKS	QUAN
1	037157	HOSE	SEA WATER PUMP TO EXCHANGER	1
2	011386	CLAMP	HOSE 12	2
3	034712	NIPPLE	3/8 NPT TO 7/8 HOSE	1
4	033636	PUMP	SEA WATER	1
5	036612	ELBOW	3/8 NPT TO 1 HOSE	1
6	031824	CAPSCREW	M 6 X 35 DIN 933	1
7	034642	CAPSCREW	M 6 X 45 DIN 931	1
8-1	031825	CAPSCREW	M 6 X 12 DIN 933	4
8-2	031783	LOCKWASHER	M 6 DIN 127	4
9	030386	PULLEY	FRESH WATER PUMP	1
10	030146	CAPSCREW	M 6 X 55 DIN 931	2
11	018804	CAPSCREW	M 6 X 20 DIN 933	2
12	037015	PUMP	FRESH WATER	1
13	036957	GASKET	FRESH WATER PUMP	1
14	033351	CAPSCREW	M 6 X 60 DIN 931	1
15	018804	CAPSCREW	M 6 X 20 DIN 933	2
16	037057	HOUSING	THERMOSTAT LOWER	1
17	037016	GASKET	THERMOSTAT HOUSING LOWER	1
18	037493	SWITCH	WATER TEMPERATURE INCLUDING GASKET	1
19	037162	GASKET	WATER TEMPERATURE SWITCH	1
20	037043	THERMOSTAT		1
21	036956	GASKET	THERMOSTAT	1
22	036937	O-RING		2
23	036947	LINE	THERMOSTAT BYPASS	1
24	036228	HOUSING	THERMOSTAT	1
25-1	019369	PLUG	1/8 NPT BRASS	1
25-2	035109	SENDER	WATER TEMPERATURE-OPTIONAL ADMIRAL PANEL	1
25-3	037453	BUSHING	1/4 NPT TO 1/8 NPT	1
26	031784	WASHER	M 6 DIN 125	2
27	031783	LOCKWASHER	M 6 DIN 127	2
28	018804	CAPSCREW	M 6 X 20 DIN 933	2
29	011405	CLAMP	HOSE 16	2
30	037383	HOSE	THERMOSTAT TO MANIFOLD	1
31	030165	SPRING	FLOWCONTROL	1
32	037152	HOUSING	FLOWCONTROL 3/4 HOSE CONNECTION	1
33	011386	CLAMP	HOSE 12	2
34	036654	HOSE	RETURNBEND 3/4-WHEN HEATER NOT INSTALLED	1
35	011405	CLAMP	HOSE 16	2
36	036556	HOSE	FLOWCONTROL	2
37	021878	CLAMP	HOSE 20	2
38	024306	CAP	PRESSURE	1
39	024907	ELBOW	COOLANT RECOVERY TANK CONNECTION	1
40	015830	STUD	M 8 X 25 DIN 939	4
41	036973	GASKET	MANIFOLD TO HEAD	1
42	031787	WASHER	M 8 DIN 125	4
43	031786	LOCKWASHER	M 8 DIN 127	4
44	018242	NUT	M 8 DIN 934	4
45	037311	MANIFOLD	EXHAUST	1

WESTERBEKE 20B TWO - COOLING SYSTEM



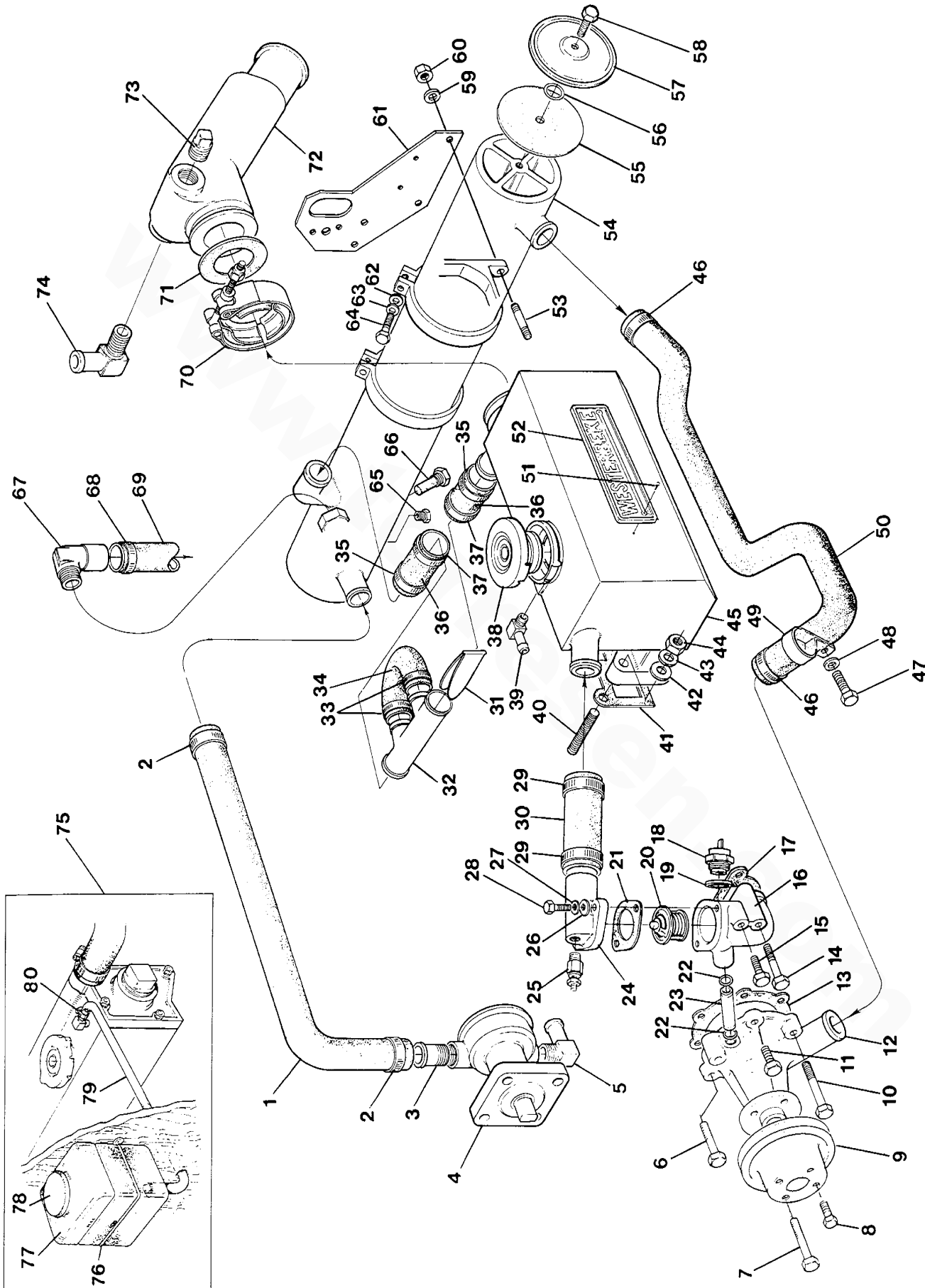
WESTERBEKE 20B TWO - COOLING SYSTEM

REF	PN	NAME	REMARKS	QUAN
46	011405	CLAMP	HOSE 16	2
47	031825	CAPSCREW	M 6 X 12 DIN 933	1
48-1	031783	LOCKWASHER	M 6 DIN 127	1
48-2	031784	WASHER	M 6 DIN 125	1
49	013741	CLAMP	SUPPORT HOSE	1
50	037506	HOSE	EXCHANGER TO PUMP	1
51	031935	SCREW	8-32 X 1/4 SS OVAL HEAD	2
52	036809	NAMEPLATE		1
53-1	015830	STUD	M 8 X 25 DIN 939	1
53-2	015831	STUD	M 8 X 32 DIN 939	1
54	019369	PLUG	1/8 NPT BRASS	2
55	037587	EXCHANGER	HEAT	1
56	031786	LOCKWASHER	M 8 DIN 127	2
57	018242	NUT	M 8 DIN 934	2
58		BRACKET	FUEL FILTER REFER TO FUEL PAGE	1
59	031753	WASHER	FLAT 1/4	2
60	031752	LOCKWASHER	1/4	2
61	031506	CAPSCREW	1/4NC X 1-1/4	2
62	011885	ZINC		1
63	033298	GASKET	EXCHANGER END COVER	1
64	019321	O-RING		1
65	033297	COVER	EXCHANGER END	1
66	033402	CAPSCREW	5/16NC X 1/2 BRASS	1
67	036614	ELBOW	3/4 NPT TO 1 HOSE	1
68	011405	CLAMP	HOSE 16	1
69	037154	HOSE	EXCHANGER TO JS TRANSMISSION	1
70	036541	CLAMP	EXHAUST ELBOW TO MANIFOLD	1
71	036425	GASKET	EXHAUST ELBOW TO MANIFOLD	1
72-1	037401	ELBOW KIT	WATER INJECTED EXHAUST 90 DEG INCL 70-74	1
72-2	037402	ELBOW KIT	WATER INJECTED EXHAUST 45 DEG INCL 70-74	1
73-1	036849	PLUG	3/4 NPT ELBOW 036732	1
73-2	035747	PLUG	1/2 NPT ELBOW 036547	1
74-1	036614	ELBOW	3/4 NPT TO 1 HOSE ELBOW 036732	1
74-2	036616	ELBOW	1/2 NPT TO 1 HOSE ELBOW 036547	1
75	024977	KIT	COOLANT RECOVERY TANK	1
76	024786	STRAP	COOLANT RECOVERY TANK MOUNTING	1
77	024704	TANK	COOLANT RECOVERY	1
78	024858	CAP	COOLANT RECOVERY TANK	1
79	024637	TUBING	INCHES REQUIRED	30
80	024906	CLAMP	HOSE	2

WESTERBEKE 30B THREE - COOLING SYSTEM

REF	PN	NAME	REMARKS	QUAN
1	037158	HOSE	SEA WATER PUMP TO EXCHANGER	1
2	011386	CLAMP	HOSE 12	2
3	034712	NIPPLE	3/8 NPT TO 7/8 HOSE	1
4	033636	PUMP	SEA WATER	1
5	036612	ELBOW	3/8 NPT TO 1 HOSE	1
6	031824	CAPSCREW	M 6 X 35 DIN 933	1
7	034642	CAPSCREW	M 6 X 45 DIN 931	1
8-1	031825	CAPSCREW	M 6 X 12 DIN 933	4
8-2	031783	LOCKWASHER	M 6 DIN 127	4
9	030386	PULLEY	FRESH WATER PUMP	1
10	030146	CAPSCREW	M 6 X 55 DIN 931	2
11	018804	CAPSCREW	M 6 X 20 DIN 933	2
12	037015	PUMP	FRESH WATER	1
13	036957	GASKET	FRESH WATER PUMP	1
14	033351	CAPSCREW	M 6 X 60 DIN 931	1
15	018804	CAPSCREW	M 6 X 20 DIN 933	2
16	037057	HOUSING	THERMOSTAT LOWER	1
17	037016	GASKET	THERMOSTAT HOUSING LOWER	1
18	037493	SWITCH	WATER TEMPERATURE INCLUDING GASKET	1
19	037162	GASKET	WATER TEMPERATURE SWITCH	1
20	037043	THERMOSTAT		1
21	036956	GASKET	THERMOSTAT	1
22	036937	O-RING		2
23	036947	LINE	THERMOSTAT BYPASS	1
24	036228	HOUSING	THERMOSTAT	1
25-1	019369	PLUG	1/8 NPT BRASS	1
25-2	035109	SENDER	WATER TEMPERATURE-OPTIONAL ADMIRAL PANEL	1
25-3	037453	BUSHING	1/4 NPT TO 1/8 NPT	1
26	031784	WASHER	M 6 DIN 125	2
27	031783	LOCKWASHER	M 6 DIN 127	2
28	018804	CAPSCREW	M 6 X 20 DIN 933	2
29	011405	CLAMP	HOSE 16	2
30	037383	HOSE	THERMOSTAT TO MANIFOLD	1
31	030165	SPRING	FLOWCONTROL	1
32	037152	HOUSING	FLOWCONTROL 3/4 HOSE CONNECTION	1
33	011386	CLAMP	HOSE 12	2
34	036654	HOSE	RETURNBEND 3/4 WHEN HEATER NOT INSTALLED	1
35	011405	CLAMP	HOSE 16	2
36	039885	HOSE	FLOWCONTROL	2
37	021878	CLAMP	HOSE 20	2
38	024306	CAP	PRESSURE	1
39	024907	ELBOW	COOLANT RECOVERY TANK CONNECTION	1
40	015830	STUD	M 8 X 25 DIN 939	6
41	036955	GASKET	MANIFOLD TO HEAD	1
42	031787	WASHER	M 8 DIN 125	4
43	031786	LOCKWASHER	M 8 DIN 127	4
44	018242	NUT	M 8 DIN 934	4
45	037312	MANIFOLD	EXHAUST	1

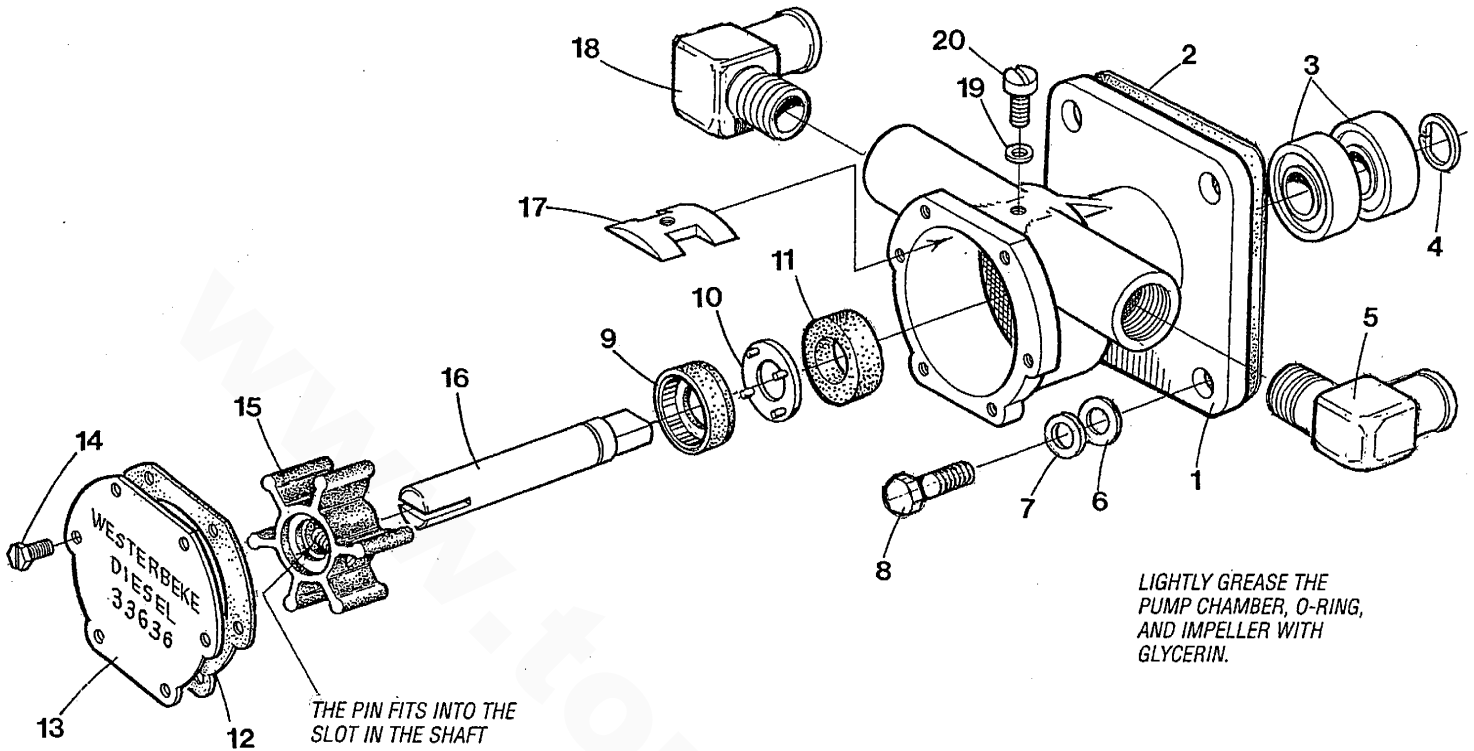
WESTERBEKE 30B THREE - COOLING SYSTEM



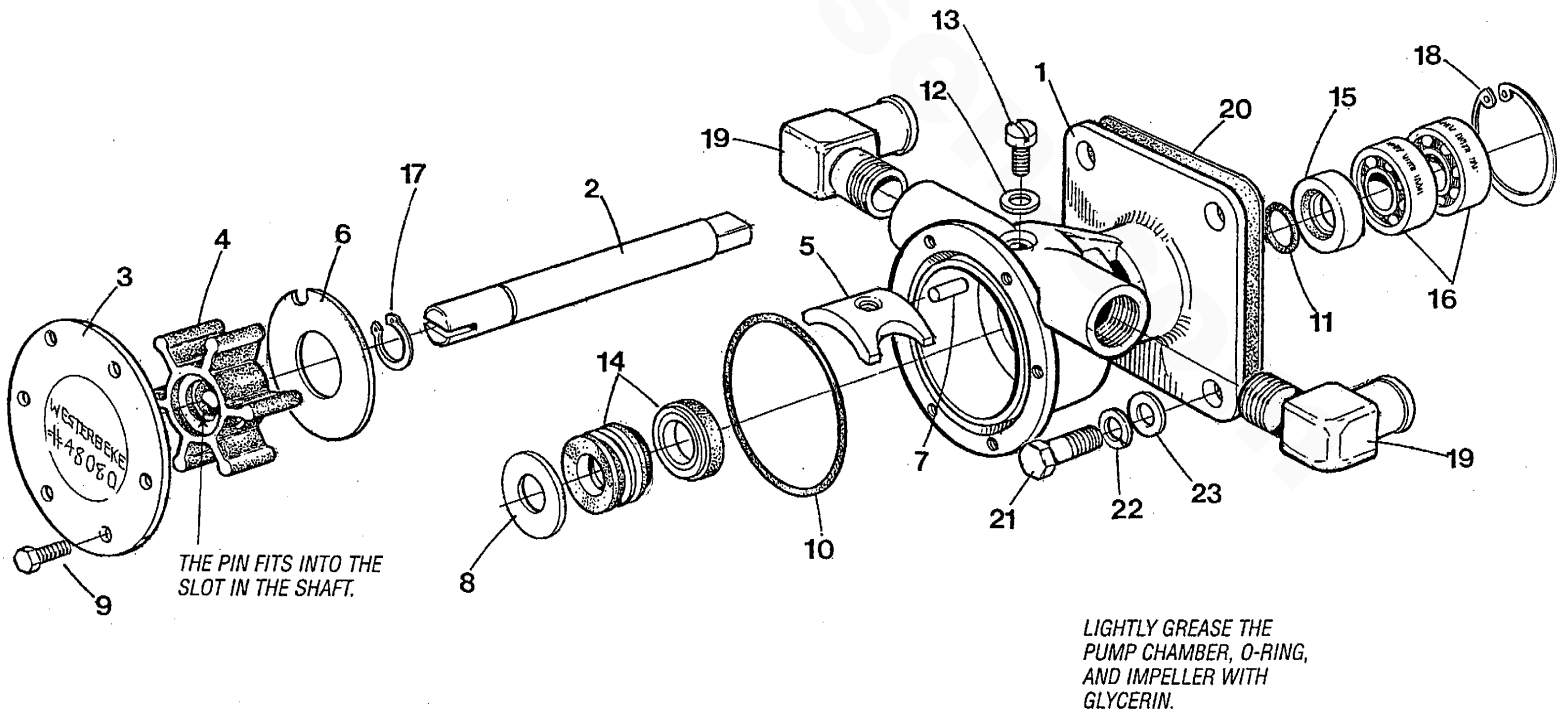
WESTERBEKE 30B THREE - COOLING SYSTEM

REF	PN	NAME	REMARKS	QUAN
46	011405	CLAMP	HOSE 16	2
47	031825	CAPSCREW	M 6 X 12 DIN 933	1
48-1	031783	LOCKWASHER	M 6 DIN 127	1
48-2	031784	WASHER	M 6 DIN 125	1
49	012292	CLAMP	SUPPORT HOSE	1
50	036691	HOSE	EXCHANGER TO PUMP	1
51	031935	SCREW	8-32 X 1/4 SS OVAL HEAD	2
52	035411	NAMEPLATE		1
53-1	015830	STUD	M 8 X 25 DIN 939	1
53-2	015831	STUD	M 8 X 32 DIN 939	1
54	037564	EXCHANGER	HEAT	1
55	022851	GASKET	EXCHANGER END COVER	2
56	019321	O-RING		2
57	022850	COVER	EXCHANGER END	2
58	022852	CAPSCREW	3/8NC X 1/2 BRASS	2
59	031786	LOCKWASHER	M 8 DIN 127	2
60	018242	NUT	M 8 DIN 934	2
61		BRACKET	FUEL FILTER REFER TO FUEL PAGE	1
62	031753	WASHER	FLAT 1/4	2
63	031752	LOCKWASHER	1/4	2
64	031506	CAPSCREW	1/4NC X 1-1/4	2
65-1	019369	PLUG	1/8 NPT BRASS	1
65-2	011471	PETCOCK	1/8 NPT	1
66	011885	ZINC		1
67	036614	ELBOW	3/4 NPT TO 1 HOSE	1
68	011405	CLAMP	HOSE 16	1
69	037154	HOSE	EXCHANGER TO JS TRANSMISSION	1
70	036541	CLAMP	EXHAUST ELBOW TO MANIFOLD	1
71	036425	GASKET	EXHAUST ELBOW TO MANIFOLD	1
72-1	037401	ELBOW KIT	WATER INJECTED EXHAUST 90 DEG INCL 70-74	1
72-2	037402	ELBOW KIT	WATER INJECTED EXHAUST 45 DEG INCL 70-74	1
73-1	036849	PLUG	3/4 NPT ELBOW 036732	1
73-2	035747	PLUG	1/2 NPT ELBOW 036547	1
74-1	036614	ELBOW	3/4 NPT TO 1 HOSE ELBOW 036732	1
74-2	036616	ELBOW	1/2 NPT TO 1 HOSE ELBOW 036547	1
75	024977	KIT	COOLANT RECOVER TANK	1
76	024786	STRAP	COOLANT RECOVERY TANK MOUNTING	1
77	024704	TANK	COOLANT RECOVERY	1
78	024858	CAP	COOLANT RECOVERY TANK	1
79	024637	TUBING	INCHES REQUIRED	30
80	024906	CLAMP	HOSE	2

RAW WATER PUMP



RAW WATER PUMP (from March 2004)



REV 3 05



RAW WATER PUMP

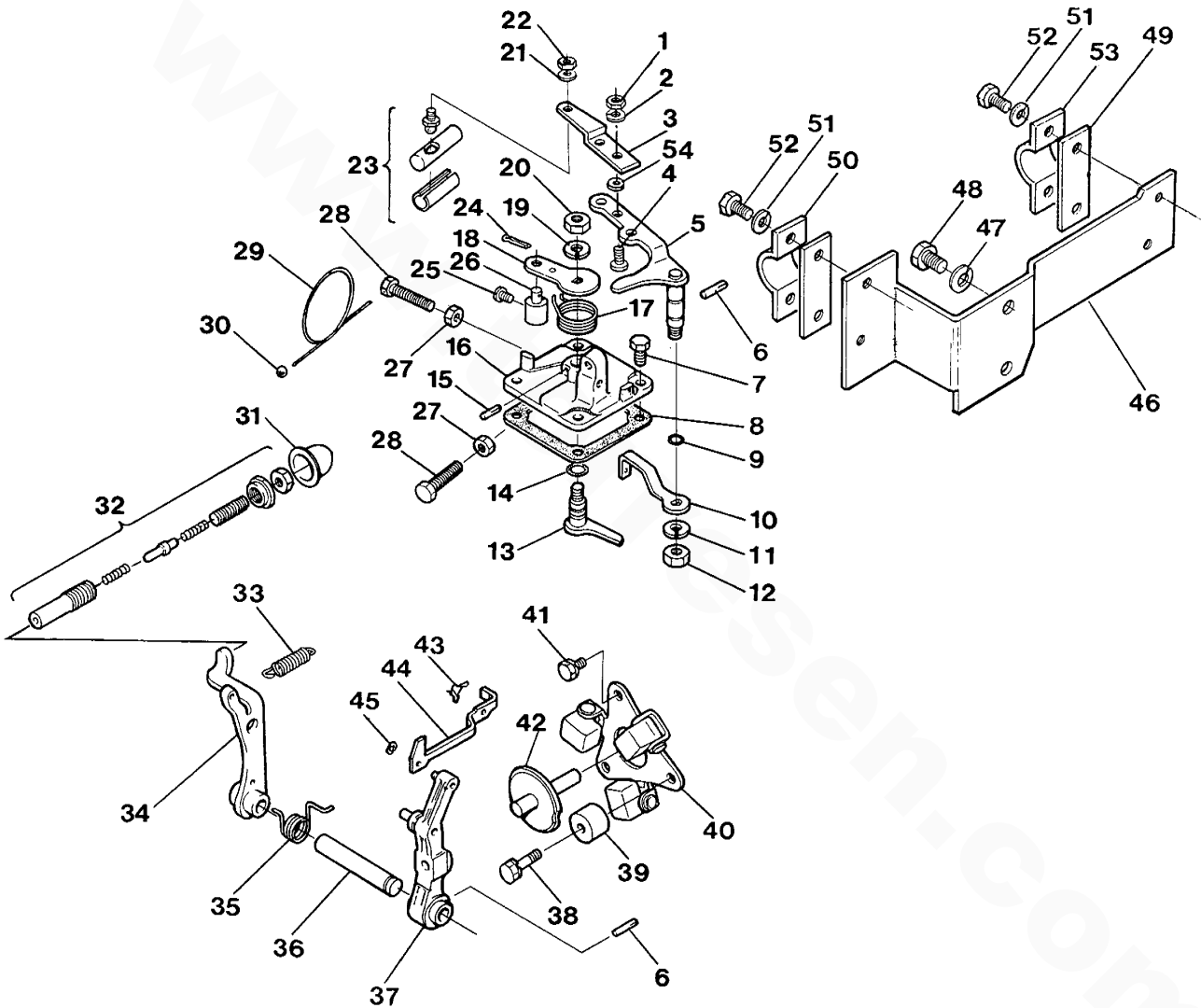
Reference #	Part #	Part Name	Quantity
1-1	033636	RAW WATER PUMP (NLA)	1
1-2	034457	HOUSING	1
1-3	034466	PUMP KIT	1
2	030326	GASKET	1
3	034464	BEARING	2
4	033044	RETAINING RING	1
5	034710	ELBOW 3/8NPT TO 7/8 HOSE (NOT INCL. W/PUMP)	1
6	031787	WASHER M8 DIN 125	4
7	031786	LOCKWASHER M8 DIN 127	4
8	017196	CAPSCREW M8 X 20 DIN 933	4
9	048013	SEAL	1
10	038678	SPACER	1
11	033043	OIL SEAL	1
12	034459	GASKET	1
13	034461	COVER	1
14	034463	SCREW	6
15	034440	IMPELLER - SCREW-GASKET KIT	1
16	034460	SHAFT	1
17	034458	CAM	1
18	036612	ELBOW 3/8NPT TO 1" HOSE (NOT INCL. W/PUMP)	1
19	033037	WASHER	1
20	034462	SCREW	1

RAW WATER PUMP (from March 2004)

Reference #	Part #	Part Name	Quantity
1	048080	RAW WATER PUMP	1
2	049172	SHAFT	1
3	049170	IMPELLER COVER	1
4	048500	IMPELLER KIT (O-RING & GLYCERIN)	1
5	034458	CAM	1
6	049171	WEAR PLATE	1
7	0302575	DOWEL	1
8	048253	SPRING SEAL WASHER	1
9	034463	IMPELLER COVER SCREW	6
10	048359	IMPELLER COVER O-RING	1
11	033041	O-RING	1
12	033037	CAM WASHER	1
13	046662	CAM SCREW	1
14	048254	SPRING SEAL	1
15	049169	LIP SEAL	1
16	034464	BALL BEARING	2
17	033045	RETAINING INTERNAL RING	1
18	033044	RETAINING EXTERNAL RING	1
19	034710	ELBOW 3/8" NPT TP 7/8" HOSE	1
	036612	ELBOW 3/8" NPT TO 1" HOSE	1
20	030326	MOUNTING GASKET	1
	049000	PUMP REPAIR KIT (INCLUDES ALL COMPONENTS EXCEPT ITEMS 1,7,AND 19)	1
	037431	PUMP KIT (PUMP, MOUNTING GASKET AND FITTINGS)	1



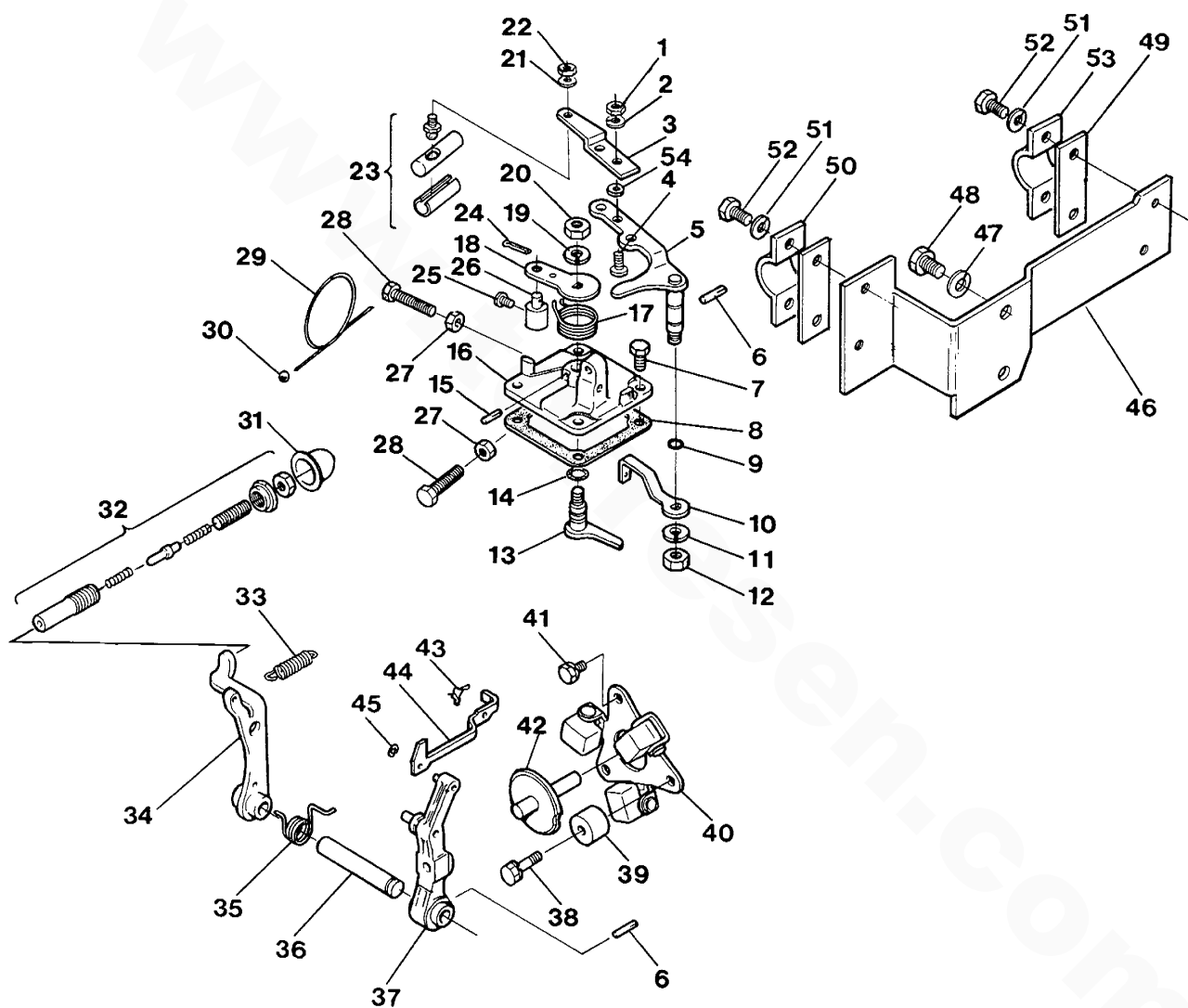
WESTERBEKE 20B TWO - 30B THREE - GOVERNOR SYSTEM



WESTERBEKE 20B TWO - 30B THREE - GOVERNOR SYSTEM

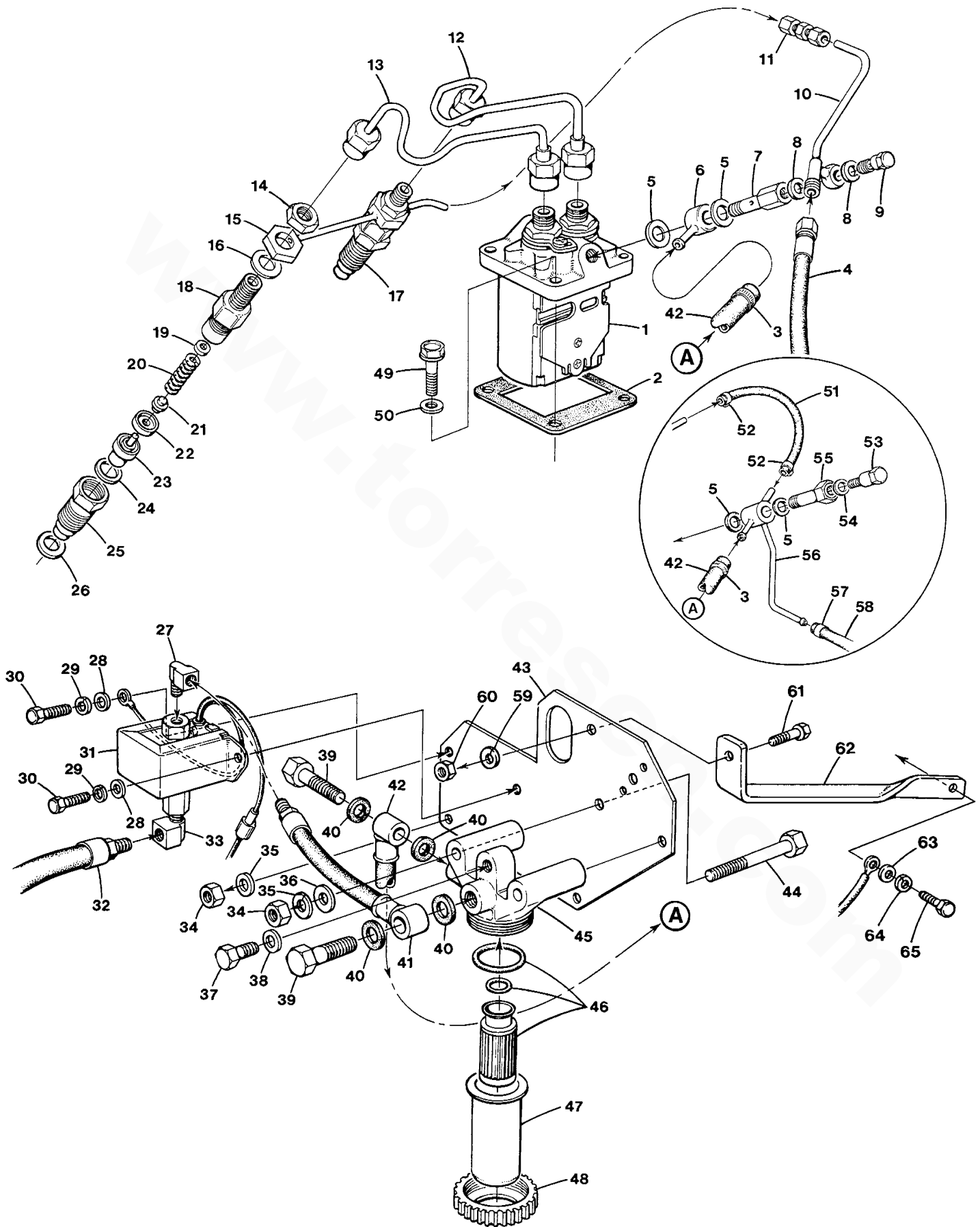
REF	PN	NAME	REMARKS	QUAN
1	031847	NUT	10-32 SS	2
2	031849	LOCKWASHER	10 SS	2
3	036847	LEVER	EXTENSION-THROTTLE	1
4	031872	SCREW	10-32 X 1/2 SS BH	2
5	037090	LEVER	THROTTLE	1
6	036942	PIN	GROOVED	2
7	031825	CAPSCREW	M 6 X 12 DIN 933	4
8	037024	GASKET	GOVERNOR COVER	1
9	030277	O-RING		1
10	036989	LEVER	GOVERNOR SPRING	1
11	031786	LOCKWASHER	M 8 DIN 127	1
12	031802	NUT	M 8 JAM	1
13		LEVER	STOP-SEE REF 16	1
14	030277	O-RING		1
15		PIN	GROOVED SEE REF 16	1
16	037602	COVER	ASSEMBLY-GOVERNOR INCL REF 13 THRU 20	1
17		SPRING	RETURN SEE REF 16	1
18	036725	LEVER	STOP	1
19	031786	LOCKWASHER	M 8 DIN 127	1
20	031802	NUT	M 8 JAM	1
21	031849	LOCKWASHER	10 SS	1
22	031847	NUT	10-32 SS	1
23	019364	BALL JOINT	THROTTLE CABLE	1
24	011796	COTTER PIN		1
25	031870	SCREW	10-32 X 1/4 SS BH	1
26	019370	PIVOT		1
27	015812	NUT	M 6 DIN 934	2
28	030323	SCREW	SPEED SET	2
29	030293	WIRE	LOCK ADJUSTING SCREW	1
30	030292	SEAL	LEAD	1
31	037044	CAP	TORQUE SET SEALING	1
32-1	037089	SPRING SET	TORQUE-PROPULSION	1
32-2	037082	SPRING SET	TORQUE-GENSET	1
33-1	037048	SPRING	GOVERNOR-PROPULSION	1
33-2	037101	SPRING	GOVERNOR-GENSET	1
34	037079	LEVER	TENSION	1
35-1	037081	SPRING	START-PROPULSION	1
35-2	037092	SPRING	START-GENSET	1
36	037080	SHAFT	GOVERNOR	1
37	037078	LEVER	GOVERNOR	1

WESTERBEKE 20B TWO - 30B THREE - GOVERNOR SYSTEM



WESTERBEKE 20B TWO - 30B THREE - GOVERNOR SYSTEM

REF	PN	NAME	REMARKS	QUAN
38-1	020628	CAPSCREW	M 6 X 25 DIN 933	1
38-2	031783	LOCKWASHER	M 6 DIN 127	1
39	033200	STOPPER	GOVERNOR	1
40	030449	WEIGHT	ASSEMBLY-GOVERNOR	1
41-1	015816	CAPSCREW	M 6 X 10 DIN 933	2
41-2	031783	LOCKWASHER	M 6 DIN 127	2
42	036941	SHAFT	GOVERNOR SLIDING	1
43	037022	CLIP	TIE ROD	1
44	037021	ROD	TIE	1
45	036939	SNAPRING		1
46	036845	BRACKET	THROTTLE CABLE	1
47	031783	LOCKWASHER	M 6 DIN 127	2
48	031810	CAPSCREW	M 6 X 14 DIN 933	2
49	013870	SHIM	CABLE CLAMP	1
50	013871	CLAMP	CABLE	1
51	031849	LOCKWASHER	10 SS	4
52	031873	SCREW	10-32 X 5/8 SS BH	4
53	013325	CLAMP	CABLE	1
54	037502	BUSHING	THROTTLE LEVER SCREW	2



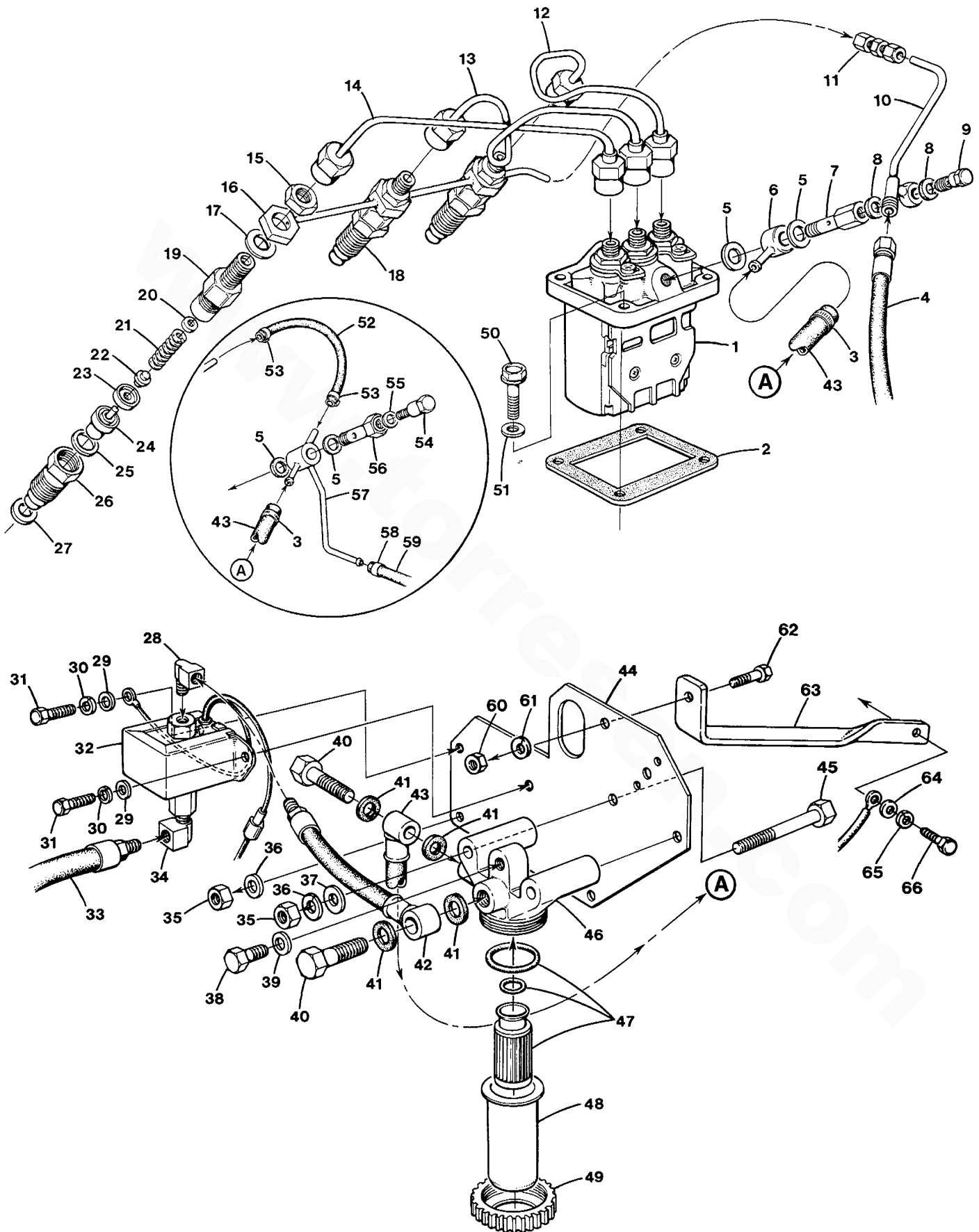
WESTERBEKE 20B TWO - FUEL SYSTEM

REF	PN	NAME	REMARKS	QUAN
1	037102	PUMP	FUEL INJECTION	1
2-1	036974	SHIM	ADJUSTING 0.2 MM	AR
2-2	036975	SHIM	ADJUSTING 0.3 MM	AR
2-3	037033	SHIM	ADJUSTING 0.4 MM	AR
2-4	036976	SHIM	ADJUSTING 0.5 MM	AR
2-5	037034	SHIM	ADJUSTING 0.6 MM	AR
2-6	037035	SHIM	ADJUSTING 0.7 MM	AR
2-7	037036	SHIM	ADJUSTING 0.8 MM	AR
2-8	037037	SHIM	ADJUSTING 0.9 MM	AR
2-9	037038	SHIM	ADJUSTING 1.0 MM	AR
3	024906	CLAMP	HOSE	1
4	034857	HOSE	FUEL RETURN	1
5	037105	WASHER	BANJO	2
6	038402	BANJO	INJECTION PUMP	1
7	038399	BOLT	BANJO	1
8	030289	WASHER	BANJO M 8	2
9	016988	BOLT	BANJO M 8	1
10	038432	LINE	INJECTOR RETURN TO PUMP	1
11-1	024600	UNION	COMPRESSION INCLUDING NUTS AND FERRULES	1
11-2	013344	NUT	COMPRESSION	2
11-3	013343	FERRULE	COMPRESSION	2
12	036951	LINE	INJECTOR 1	1
13	036952	LINE	INJECTOR 2	1
14	036921	NUT	INJECTOR	2
15	037098	LINE	INJECTOR RETURN	1
16	036922	GASKET	INJECTOR RETURN	2
17	037091	INJECTOR	INCLUDING REF 18 THRU 25	2
18	037112	HOLDER	INJECTOR	1
19- 1	036925	SHIM	INJECTOR 1.25	AR
19- 2	036926	SHIM	INJECTOR 1.30	AR
19- 3	036927	SHIM	INJECTOR 1.35	AR
19- 4	036929	SHIM	INJECTOR 1.45	AR
19- 6	036930	SHIM	INJECTOR 1.50	AR
19- 7	036931	SHIM	INJECTOR 1.55	AR
19- 8	036932	SHIM	INJECTOR 1.60	AR
19- 9	036933	SHIM	INJECTOR 1.65	AR
19-10	036934	SHIM	INJECTOR 1.70	AR
20	037106	SPRING	INJECTOR	1
21	037107	PIN	INJECTOR SPRING	1
22	037108	SPACER	INJECTOR	1
23	036935	NOZZLE	INJECTOR	1
24	037113	GASKET	INJECTOR NOZZLE TO S/N 5108	1
25	037109	NUT	INJECTOR NOZZLE	1
26	036923	GASKET	INJECTOR	2

WESTERBEKE 20B TWO - FUEL SYSTEM

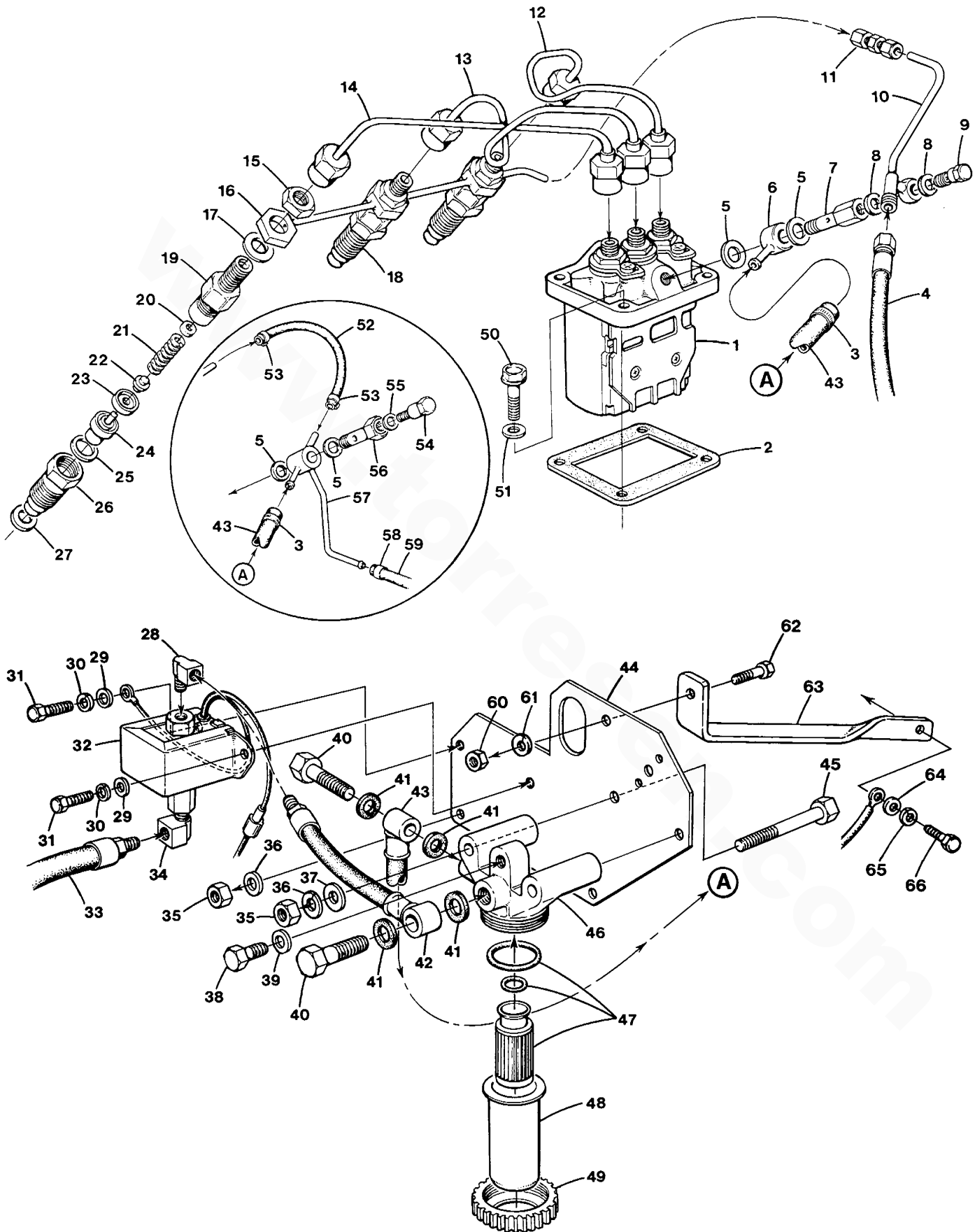
REF	PN	NAME	REMARKS	QUAN
27	022513	ELBOW	HOSE TO PUMP INCLUDED IN REF 41	1
28	031784	WASHER	M 6 DIN 125	2
29	031783	LOCKWASHER	M 6 DIN 127	2
30	031825	CAPSCREW	M 6 X 12 DIN 933	2
31	039275	PUMP	FUEL LIFT 12VDC	1
32	030025	HOSE	FUEL SUPPLY 1/8NPT	1
33	013340	ELBOW	1/8 NPT STREET 90	1
34	018242	NUT	M 8 DIN 934	4
35	031786	LOCKWASHER	M 8 DIN 127	4
36	031787	WASHER	M 8 DIN 125	2
37	030213	SCREW	BLEED	1
38	030289	WASHER		1
39	024984	BOLT	BANJO	2
40	030291	WASHER	BANJO	4
41	038047	HOSE	LIFT PUMP TO FILTER	1
42	036865	HOSE	FILTER TO INJECTION PUMP	1
43-1	038045	BRACKET	FUEL FILTER WITH JS TRANSMISSION	1
43-2	038045	BRACKET	FUEL FILTER WITH 34682 BELLHOUSING	1
43-3	039937	BRACKET	FUEL FILTER WITH 39813 BELLHOUSING	1
44	031225	CAPSCREW	M 8 X 60 DIN 931	2
45-1	030210	FILTER	FUEL ASSEMBLY INCL REF 37,38,45,46,47,48	1
45-2	030211	BODY	FUEL FILTER	1
46	030200	ELEMENT	FUEL FILTER INCLUDING O-RINGS	1
47	030199	CUP	FUEL FILTER	1
48	030212	RETAINER	FUEL FILTER CUP	1
49	018804	CAPSCREW	M 6 X 20 DIN 933	4
50	031783	LOCKWASHER	M 6 DIN 127	4
51	036868	HOSE	INJECTOR RETURN TO PUMP	1
52	037163	CLAMP	KEYSTONE	2
53	037110	BOLT	BLEED	1
54	037104	WASHER	BANJO	1
55	037111	BOLT	BANJO	1
56	036860	BANJO	INJECTION PUMP	1
57	024906	CLAMP	HOSE	1
58	037187	HOSE	FUEL RETURN	1
59	031786	LOCKWASHER	M 8 DIN 127	1
60	018242	NUT	M 8 DIN 934	1
61	017196	CAPSCREW	M 8 X 20 DIN 933	1
62	039766	SUPPORT	FILTER BRACKET	1
63	031787	WASHER	M 8 DIN 125	1
64	031786	LOCKWASHER	M 8 DIN 127	1
65	013630	CAPSCREW	M 8 X 25 DIN 933	1

WESTERBEKE 30B THREE - FUEL SYSTEM



WESTERBEKE 30B THREE - FUEL SYSTEM

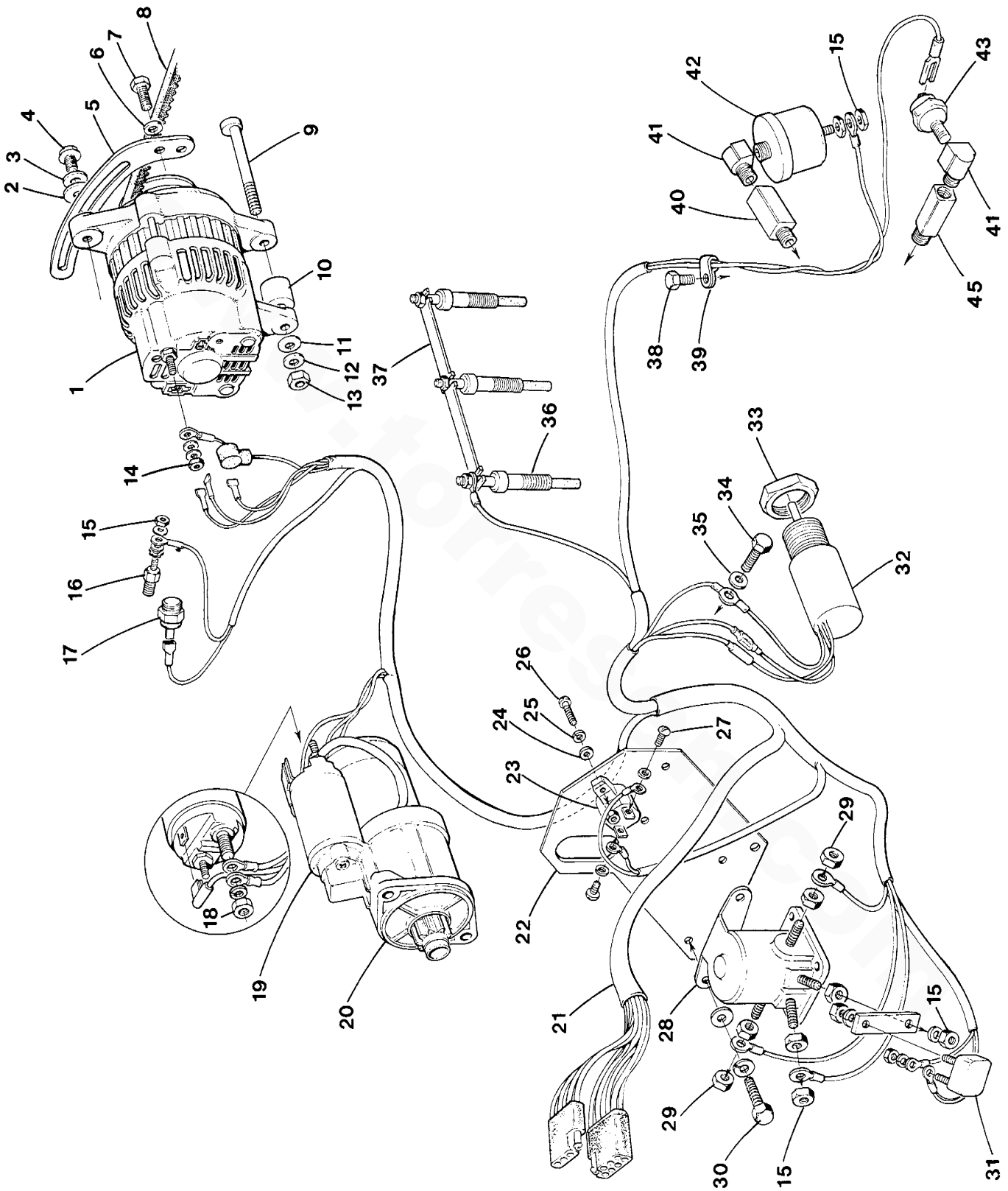
REF	PN	NAME	REMARKS	QUAN
1	037103	PUMP	FUEL INJECTION	1
2-1	036964	SHIM	ADJUSTING 0.2 MM	AR
2-2	036965	SHIM	ADJUSTING 0.3 MM	AR
2-3	037009	SHIM	ADJUSTING 0.4 MM	AR
2-4	036966	SHIM	ADJUSTING 0.5 MM	AR
2-5	037010	SHIM	ADJUSTING 0.6 MM	AR
2-6	037011	SHIM	ADJUSTING 0.7 MM	AR
2-7	037012	SHIM	ADJUSTING 0.8 MM	AR
2-8	037013	SHIM	ADJUSTING 0.9 MM	AR
2-9	037014	SHIM	ADJUSTING 1.0 MM	AR
3	024906	CLAMP	HOSE	1
4	034857	HOSE	FUEL RETURN	1
5	037105	WASHER	BANJO	2
6	038402	BANJO	INJECTION PUMP	1
7	038399	BOLT	BANJO	1
8	030289	WASHER	BANJO M 8	2
9	016988	BOLT	BANJO M 8	1
10	038429	LINE	INJECTOR RETURN TO PUMP	1
11-1	024600	UNION	COMPRESSION INCLUDING NUTS AND FERRULES	1
11-2	013344	NUT	COMPRESSION	2
11-3	013343	FERRULE	COMPRESSION	2
12	036951	LINE	INJECTOR 1	1
13	036952	LINE	INJECTOR 2	1
14	036953	LINE	INJECTOR 3	1
15	036921	NUT	INJECTOR	3
16	037099	LINE	INJECTOR RETURN	1
17	036922	GASKET	INJECTOR RETURN	3
18	037091	INJECTOR	INCLUDING REF 19 THRU 26	3
19	037112	HOLDER	INJECTOR	1
20- 1	036925	SHIM	INJECTOR 1.25	AR
20- 2	036926	SHIM	INJECTOR 1.30	AR
20- 3	036927	SHIM	INJECTOR 1.35	AR
20- 4	036928	SHIM	INJECTOR 1.40	AR
20- 5	036929	SHIM	INJECTOR 1.45	AR
20- 6	036930	SHIM	INJECTOR 1.50	AR
20- 7	036931	SHIM	INJECTOR 1.55	AR
20- 8	036932	SHIM	INJECTOR 1.60	AR
20- 9	036933	SHIM	INJECTOR 1.65	AR
20-10	036934	SHIM	INJECTOR 1.70	AR
21	037106	SPRING	INJECTOR	1
22	037107	PIN	INJECTOR SPRING	1
23	037108	SPACER	INJECTOR	1
24	036935	NOZZLE	INJECTOR	1
25	037113	GASKET	INJECTOR NOZZLE TO S/N 14117	1
26	037109	NUT	INJECTOR NOZZLE	1
27	036923	GASKET	INJECTOR	3



WESTERBEKE 30B THREE - FUEL SYSTEM

REF	PN	NAME	REMARKS	QUAN
28	022513	ELBOW	HOSE TO LIFT PUMP INCL IN REF 42	1
29	031784	WASHER	M 6 DIN 125	2
30	031783	LOCKWASHER	M 6 DIN 127	2
31	031825	CAPSCREW	M 6 X 12 DIN 933	2
32	039275	PUMP	FUEL LIFT 12VDC	1
33	013340	ELBOW	1/8 NPT STREET 90	1
34	030025	HOSE	FUEL SUPPLY 1/8NPT	1
35	018242	NUT	M 8 DIN 934	4
36	031786	LOCKWASHER	M 8 DIN 127	4
37	031787	WASHER	M 8 DIN 125	2
38	030213	SCREW	BLEED	1
39	030289	WASHER		1
40	024984	BOLT	BANJO	2
41	030291	WASHER	BANJO	4
42	038047	HOSE	LIFT PUMP TO FILTER	1
43	036867	HOSE	FILTER TO INJECTION PUMP	1
44-1	038045	BRACKET	FUEL FILTER WITH JS TRANSMISSION	1
44-2	038045	BRACKET	FUEL FILTER WITH 34682 BELLHOUSING	1
44-3	039937	BRACKET	FUEL FILTER WITH 39813 BELLHOUSING	1
45	031225	CAPSCREW	M 8 X 60 DIN 931	2
46-1	030210	FILTER	FUEL ASSEMBLY INCL REF 38,39,46,47,48,49	1
46-2	030211	BODY	FUEL FILTER	1
47	030200	ELEMENT	FUEL FILTER INCLUDING O-RINGS	1
48	030199	CUP	FUEL FILTER	1
49	030212	RETAINER	FUEL FILTER CUP	1
50	018804	CAPSCREW	M 6 X 20 DIN 933	4
51	031783	LOCKWASHER	M 6 DIN 127	4
52	036868	HOSE	INJECTOR RETURN TO PUMP	1
53	037163	CLAMP	KEYSTONE	2
54	037110	BOLT	BLEED	1
55	037104	WASHER	BANJO	1
56	037111	BOLT	BANJO	1
57	036861	BANJO	INJECTION PUMP	1
58	024906	CLAMP	HOSE	1
59	037187	HOSE	FUEL RETURN	1
60	018242	NUT	M 8 DIN 934	1
61	031786	LOCKWASHER	M 8 DIN 127	1
62	017196	CAPSCREW	M 8 X 20 DIN 933	1
63-1	039764	SUPPORT	FUEL FILTER BRACKET 38045	1
63-2	039969	SUPPORT	FUEL FILTER BRACKET 39937	1
64	031787	WASHER	M 8 DIN 125	1
65	031786	LOCKWASHER	M 8 DIN 127	1
66	013630	CAPSCREW	M 8 X 25 DIN 933	1

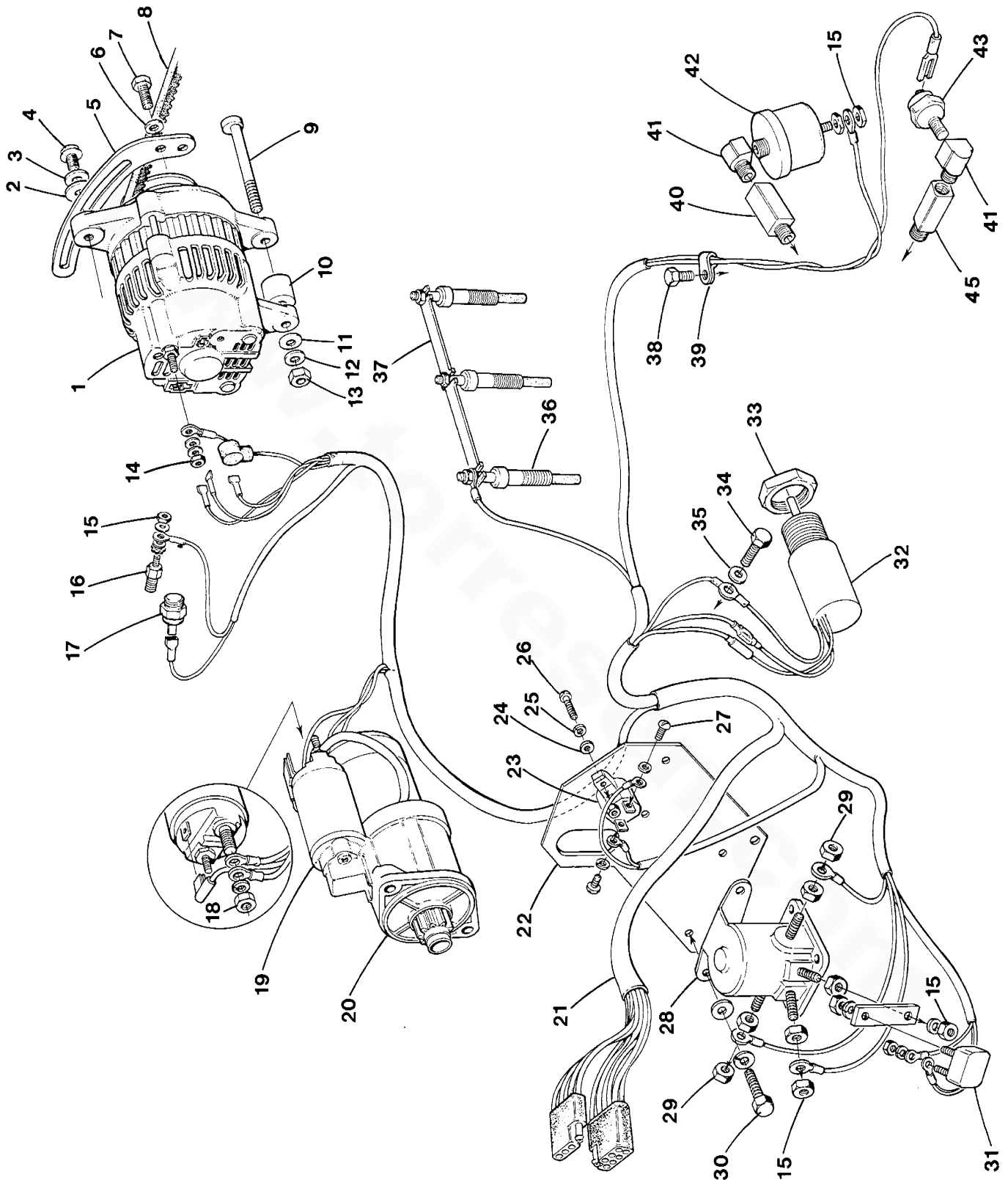
WESTERBEKE 20B TWO - 30B THREE - ELECTRICAL SYSTEM



WESTERBEKE 20B TWO - 30B THREE - ELECTRICAL SYSTEM

REF	PN	NAME	REMARKS	QUAN
1	030594	ALTERNATOR	12VDC 50A	1
2	033381	WASHER	ADJUSTING STRAP	1
3	031786	LOCKWASHER	M 8 DIN 127	1
4	013630	CAPSCREW	M 8 X 25 DIN 933	1
5	037342	STRAP	ADJUSTING	1
6	031783	LOCKWASHER	M 6 DIN 127	1
7	031810	CAPSCREW	M 6 X 14 DIN 933	1
8	038527	BELT		1
9	032015	BOLT	ALTERNATOR	1
10-1	037343	SPACER	ALTERNATOR	1
10-2	030234	SHIM	ALTERNATOR	1
11	031787	WASHER	M 8 DIN 125	AR
12	031786	LOCKWASHER	M 8 DIN 127	1
13	018242	NUT	M 8 DIN 934	1
14	018241	NUT	M 5 DIN 934	1
15	031847	NUT	10-32 SS	1
16	035109	SENDER	WATER TEMPERATURE-OPTIONAL ADMIRAL PANEL	1
17-1	037493	SWITCH	WATER TEMPERATURE INCLUDING GASKET	1
17-2	037162	GASKET	WATER TEMPERATURE SWITCH	1
18	018242	NUT	M 8 DIN 934	1
19	036218	SOLENOID	STARTER MOTOR	1
20	034552	MOTOR	STARTER 12VDC 1.2KW	1
21-1	037348	HARNESS	ENGINE WIRING TO 12/88 MECH LIFT PUMP	1
21-2	038116	HARNESS	ENGINE WIRING - ELECTRIC LIFT PUMP	1
22		BRACKET	FUEL FILTER-BREAKER REFER TO FUEL PAGE	1
23	024683	BREAKER	CIRCUIT 20 AMP	1
24	031843	WASHER	FLAT 8 SS	2
25	031844	LOCKWASHER	8 SS	2
26	031866	SCREW	8-32 X 7/8 SS BH	2
27	031861	SCREW	8-32 X 1/4 SS BH	2
28-1	024639	SOLENOID	PRE-HEAT	1
28-2	033052	SPACER	SOLENOID TO BRACKET	2
29	031760	NUT	5/16NF	2
30-1	020628	CAPSCREW	M 6 X 25 DIN 933	2
30-3	031784	WASHER	M 6 DIN 125	2
31	036563	BREAKER	CIRCUIT ASSEMBLY 10 AMP	1
32-1	037100	SOLENOID	FUEL SHUT-OFF - OPTIONAL	1
32-2	036944	PLUG	M30 X 1.5 - WHEN SOLENOID NOT INSTALLED	1
33	034669	NUT	SOLENOID ADJUSTING/LOCKING	1
34	020650	CAPSCREW	M 8 X 18 DIN 933 HARNESS GROUND	1
35	031786	LOCKWASHER	M 8 DIN 127	1

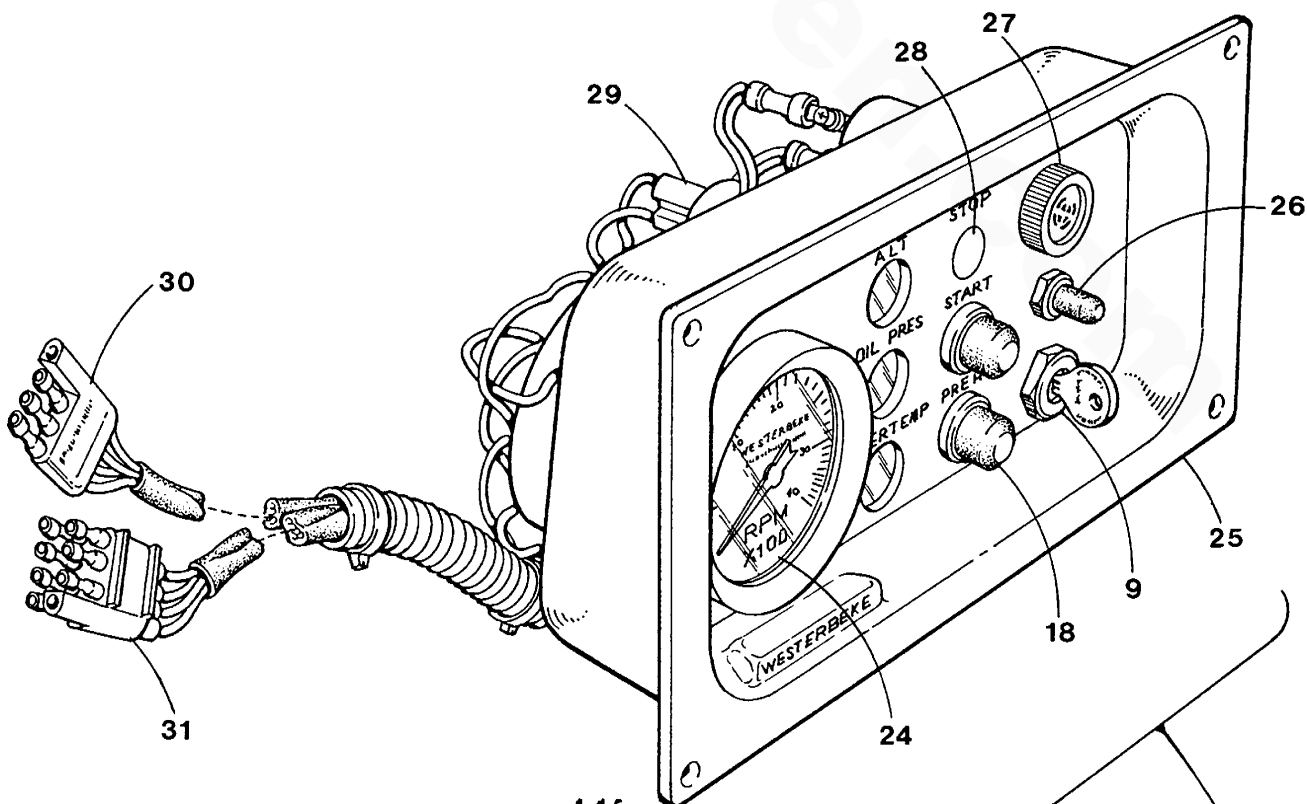
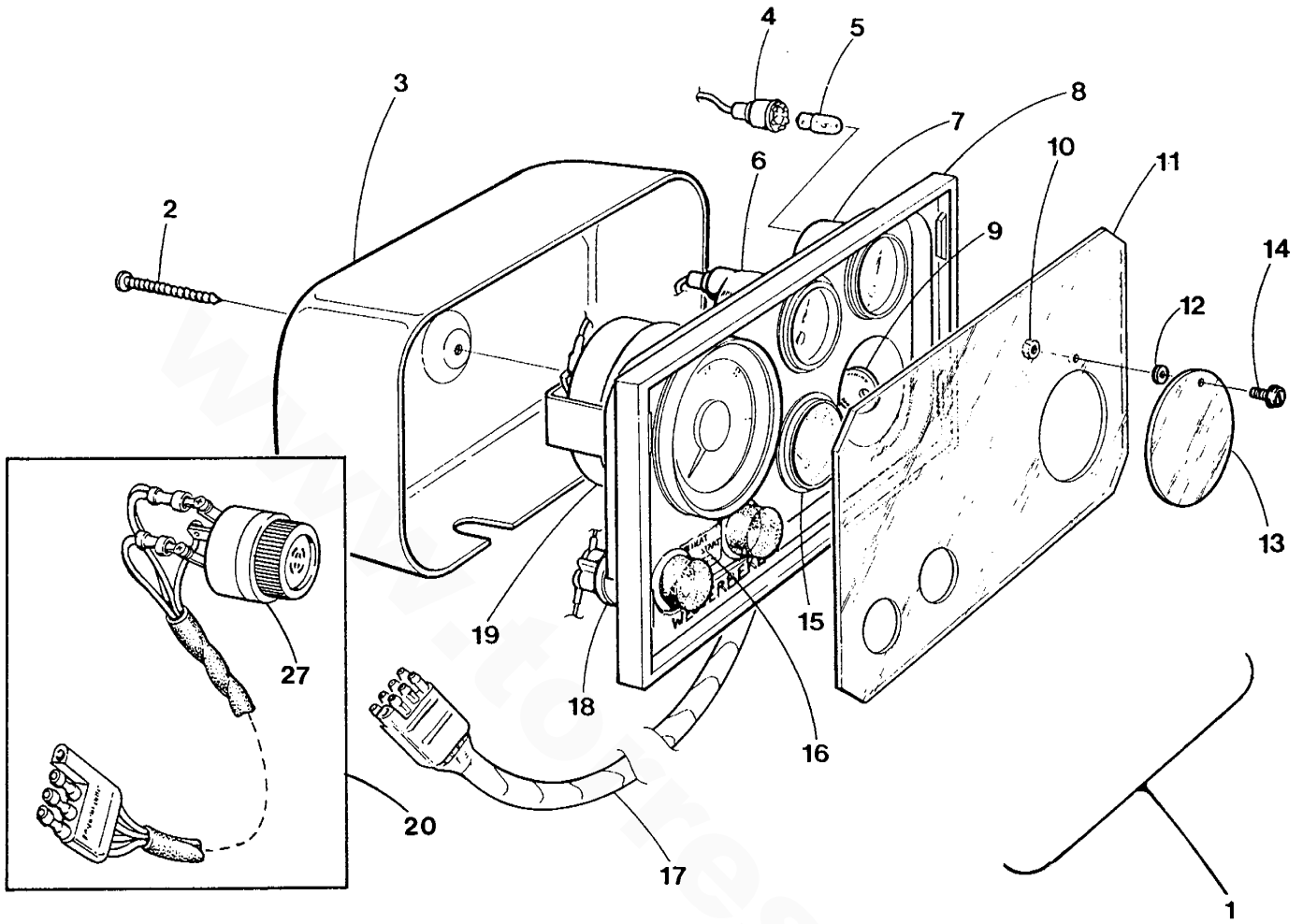
WESTERBEKE 20B TWO - 30B THREE - ELECTRICAL SYSTEM



WESTERBEKE 20B TWO - 30B THREE - ELECTRICAL SYSTEM

REF	PN	NAME	REMARKS	QUAN
36-1	036961	GLOWPLUG	2 CYLINDER	2
36-2	036961	GLOWPLUG	3 CYLINDER	3
37-1	037040	STRAP	GLOWPLUG CONNECTING 2 CYLINDER	1
37-2	037028	STRAP	GLOWPLUG CONNECTING 3 CYLINDER	1
38	018804	CAPSCREW	M 6 X 20 DIN 933	1
39	038074	CLAMP		3
40	024844	ADAPTER	1/8 BSPT TO 1/8 NPT-OIL PRESSURE SENDER	1
41	013340	ELBOW	1/8 NPT STREET 90	2
42	024132	SENDER	OIL PRESSURE-OPTIONAL ADMIRAL PANEL	1
43-1	034761	SWITCH	OIL PRESSURE 1 TERMINAL TO 12/88	1
43-2	037323	SWITCH	OIL PRESSURE 2 TERMINAL FROM 12/88	1
44	034667	WASHER	SEALING	1
45	037508	ADAPTER	1/8 BSPT TO 1/8 NPT-OIL PRESSURE SWITCH	1
46	039806	RESISTOR	ASSEMBLY-ALARM	1

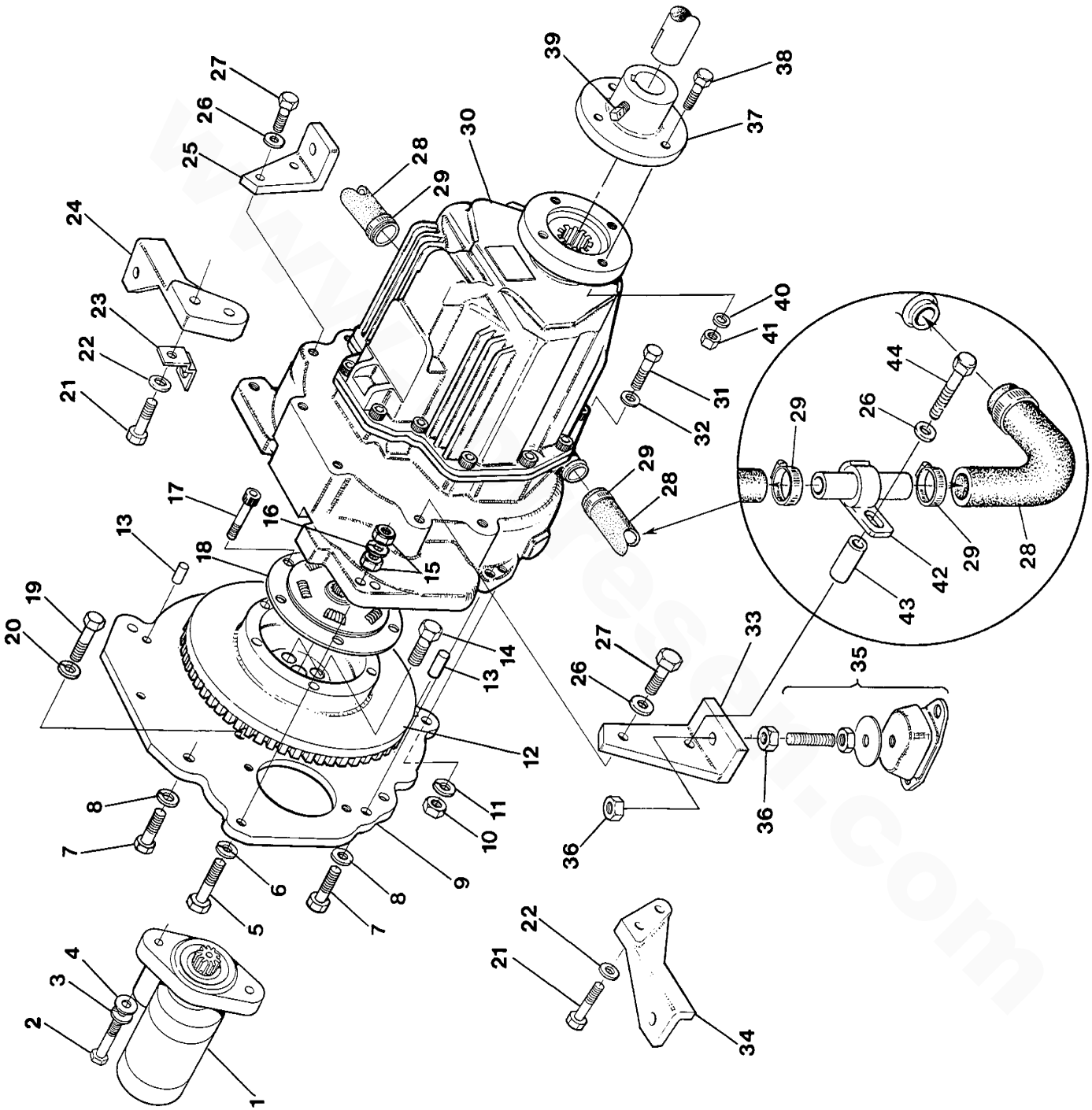
WESTERBEKE 20B TWO - 30B THREE - INSTRUMENT PANELS



WESTERBEKE 20B TWO - 30B THREE - INSTRUMENT PANELS

REF	PN	NAME	REMARKS	QUAN
1	036843	PANEL	ADMIRAL INCLUDING SENDERS AND ALARM	1
2	030913	SCREW		1
3	030119	COVER	PANEL REAR	1
4	035118	HOLDER	LAMP-WEDGE BASE	3
5	035114	LAMP	INSTRUMENT 12VDC-WEDGE BASE	3
6	037601	METER	WATER TEMPERATURE	1
7	037603	METER	OIL PRESSURE 100PSI	1
8	033865	PANEL	PLATE	1
9	033693	KEYSWITCH	OFF-ON	1
10	030003	NUT	NYLON LOCKING 6-32	1
11	033684	COVER	FACEPLATE	1
12	030002	SPACER	NYLON	1
13	024996	WINDOW	KEYSWITCH COVER	1
14	030001	SCREW	NYLON 6-32 X 1/2 WASHER HEAD	1
15	037605	VOLTMETER	12VDC	1
16	033682	DECAL	SWITCH IDENTIFICATION	1
17	030148	CABLE	PANEL TO ENGINE - 8 PIN	1
18-1	033764	SWITCH	PUSHBUTTON - START/PREHEAT	2
18-2	019031	CAP	SWITCH COVER REPLACEMENT	2
19	011917	METER	TACHOMETER-HOUR	1
20	035825	WIRE	POWER TO METER LAMPS	3
21	036829	ALARM	ASSEMBLY	1
23	036473	PANEL	CAPTAIN	1
24	035112	METER	TACHOMETER	1
25	036043	PANEL	PLATE	1
26-1	036479	SWITCH	TEST	1
26-2	036490	CAP	SWITCH	1
27	013355	BUZZER	ALARM	1
28	030946	PLUG	NYLON	1
29-1	024947	LAMP	12VDC	3
29-2	036483	HOLDER	LAMP	3
30	036626	HARNESS	PANEL TO ENGINE - 4 PIN	1
31	036627	HARNESS	PANEL TO ENGINE - 8 PIN	1
32	036477	ASSEMBLY	TERMINAL-DIODE	1
33	036544	SPACER	TERMINAL-DIODE ASSEMBLY	2
34	036545	SCREW	6-32 X 3/4 TAPPING SS	2
35	039144	DIAGRAM	WIRING	1
36	036630	DRAWING	TEMPLATE TO INSTALL EITHER PANEL	1

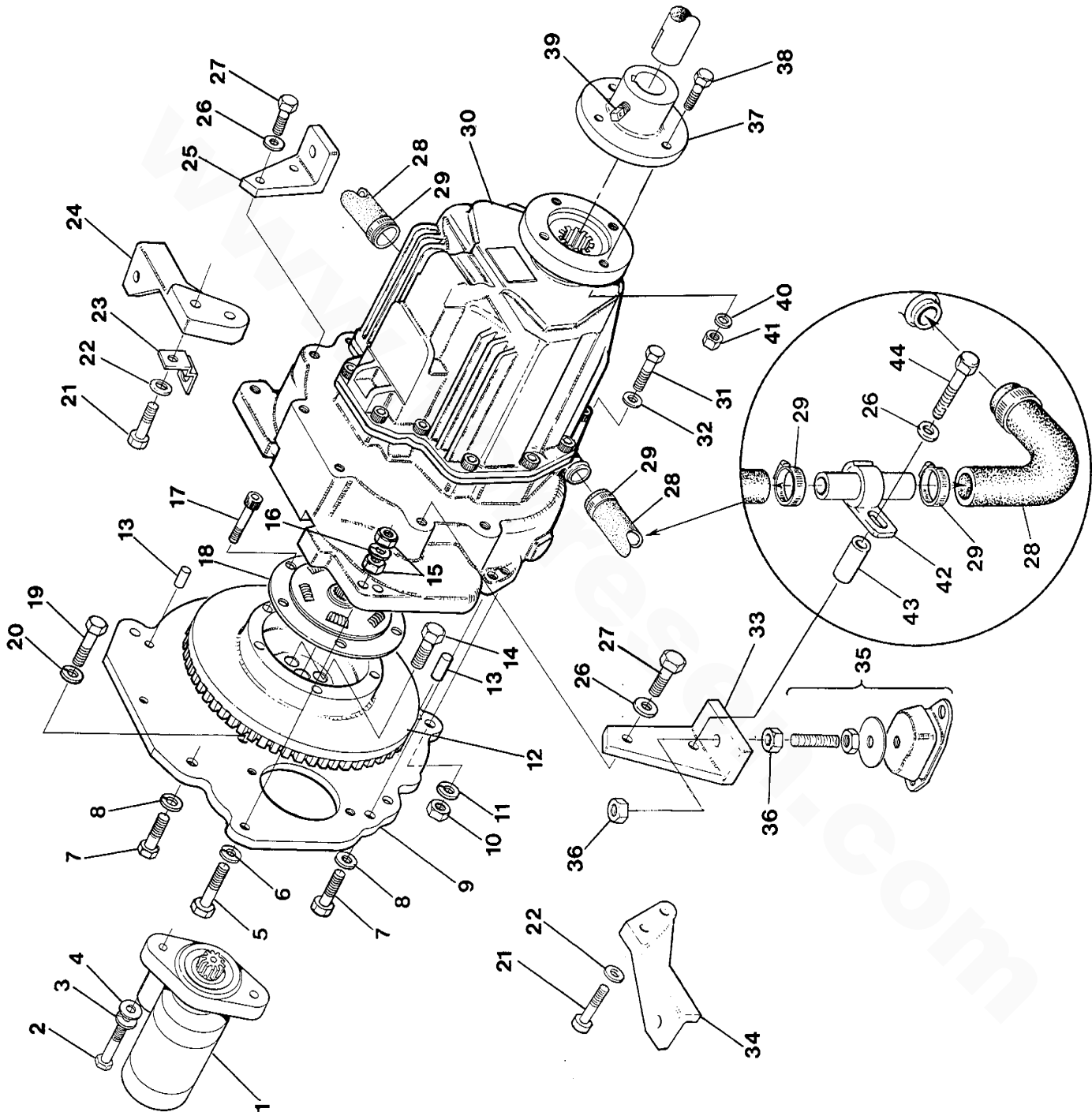
WESTERBEKE 20B TWO - 30B THREE - BACK END - MODEL JS TRANSMISSION



WESTERBEKE 20B TWO - 30B THREE - BACK END - MODEL JS TRANSMISSION

REF	PN	NAME	REMARKS	QUAN
1	034552	MOTOR	STARTER 12VDC	1
2	034589	CAPSCREW	M10 X 30 DIN 933	2
3	019262	LOCKWASHER	M10 DIN 127	2
4	031789	WASHER	M10 DIN 125	2
5	013631	CAPSCREW	M10 X 55 DIN 933	1
6	019262	LOCKWASHER	M10 DIN 127	1
7	034589	CAPSCREW	M10 X 30 DIN 933	5
8	019262	LOCKWASHER	M10 DIN 127	5
9	036051	PLATE	BACK	1
10	015887	NUT	M10 DIN 934	2
11	019262	LOCKWASHER	M10 DIN 127	2
12-1	036554	FLYWHEEL	INCLUDING RING GEAR 2 CYLINDER	1
12-2	036554	FLYWHEEL	INCLUDING RING GEAR 3 CYLINDER TO 12/92	1
12-3	039706	FLYWHEEL	INCLUDING RING GEAR 3 CYL FROM 12/92	1
12-4	039779	PIN	SPRING USED WITH 39706 FLYWHEEL	1
12-5	032996	GEAR	RING	1
13	013919	DOWEL		2
14	036924	BOLT	FLYWHEEL	4
15	015887	NUT	M10 DIN 934	2
16	019262	LOCKWASHER	M10 DIN 127	1
17	024778	SCREW	DAMPER	5
18	030940	DAMPER		1
19	024952	CAPSCREW	M10 X 1.25 X 25 DIN 961	6
20	019262	LOCKWASHER	M10 DIN 127	6
21	024953	CAPSCREW	M10 X 1.25 X 35 DIN 961	4
22	019262	LOCKWASHER	M10 DIN 127	4
23	024922	BRACKET	SUMP DRAIN HOSE	1
24	036812	MOUNT	FRONT RIGHT	1
25	036560	MOUNT	REAR RIGHT	1
26	031792	LOCKWASHER	M12 DIN 127	4
27	031834	CAPSCREW	M12 X 1.25 X 30 DIN 961	4
28	037154	HOSE	TRANSMISSION SEA WATER	2
29	011405	CLAMP	HOSE 16	4
30	035822	GEAR	MODEL JS 2.47:1	1
31	034470	CAPSCREW	M10 X 45 DIN 931	2
32	031789	WASHER	M10 DIN 125	2
33	036559	MOUNT	REAR LEFT	1
34	036810	MOUNT	FRONT LEFT	1
35-1	040621	ISOLATOR	INCLUDING LOCKNUTS 2 CYLINDER	4
35-2	040621	ISOLATOR	INCLUDING LOCKNUTS 3 CYLINDER FRONT	2
35-3	303062	ISOLATOR	INCLUDING LOCKNUTS 3 CYLINDER REAR	2
36	037353	NUT	M12 DIN 985	8

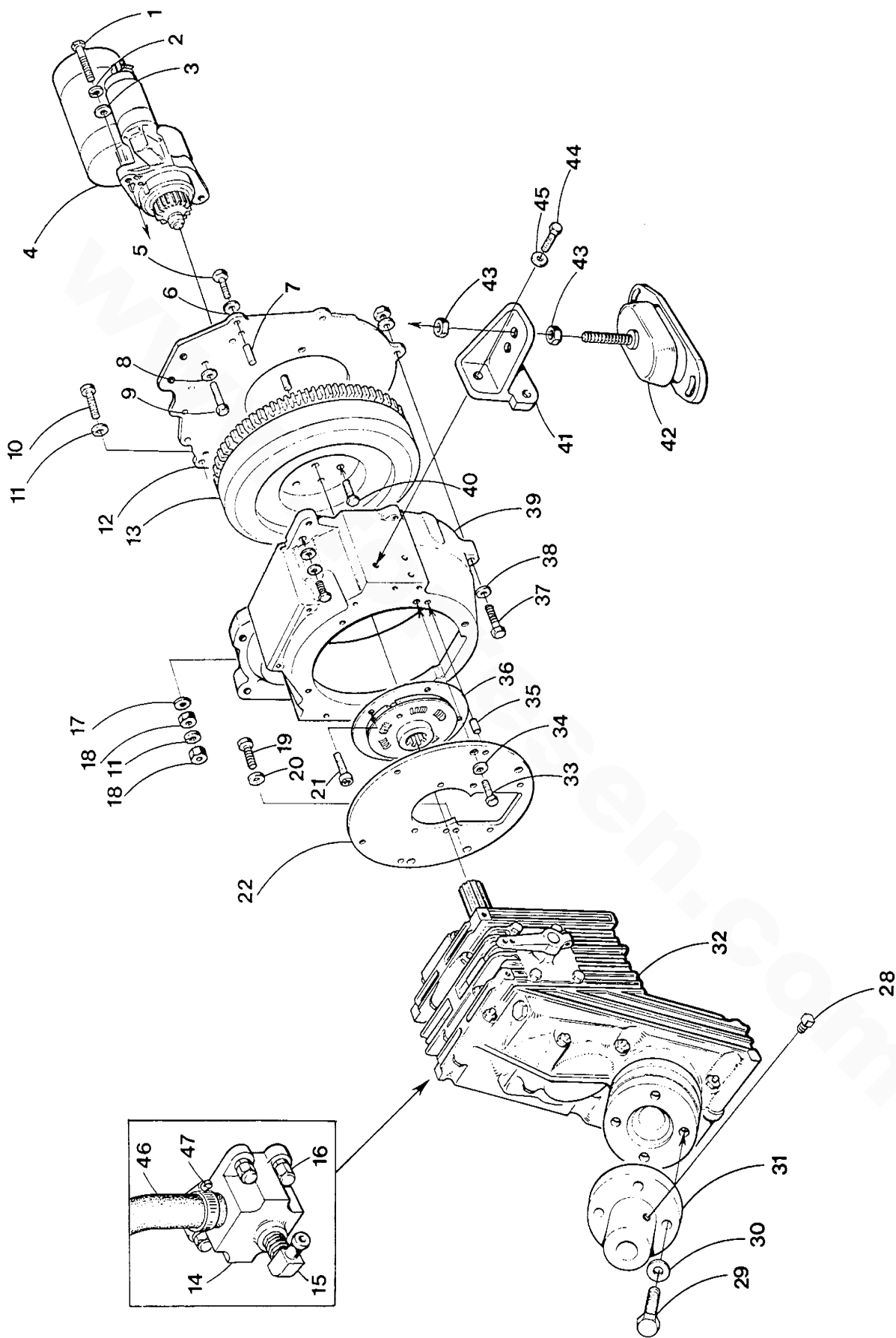
WESTERBEKE 20B TWO - 30B THREE - BACK END - MODEL JS TRANSMISSION



WESTERBEKE 20B TWO - 30B THREE - BACK END - MODEL JS TRANSMISSION

REF	PN	NAME	REMARKS	QUAN
37-1	023706	COUPLING	0.75 IN BORE	1
37-2	023707	COUPLING	0.875 IN BORE	1
37-3	023708	COUPLING	1.0 IN BORE	1
37-4	023709	COUPLING	1.125 IN BORE	1
37-5	023710	COUPLING	1.25 IN BORE	1
37-6	023711	COUPLING	1.375 IN BORE	1
37-7	023712	COUPLING	1.5 IN BORE	1
38	031228	CAPSCREW	M10 X 1.25 X 30 DIN 961	4
39	023652	SETSCREW	COUPLING 3/8NC X 1	2
40	019262	LOCKWASHER	M10 DIN 127	4
41	024950	NUT	M10 X 1.25 DIN 934	4
42	037504	CONNECTOR	INCLUDING BRACKET-SEA WATER INLET	1
43	034189	SPACER		1
44	037507	CAPSCREW	M12 X 1.25 X 80 DIN 960	1

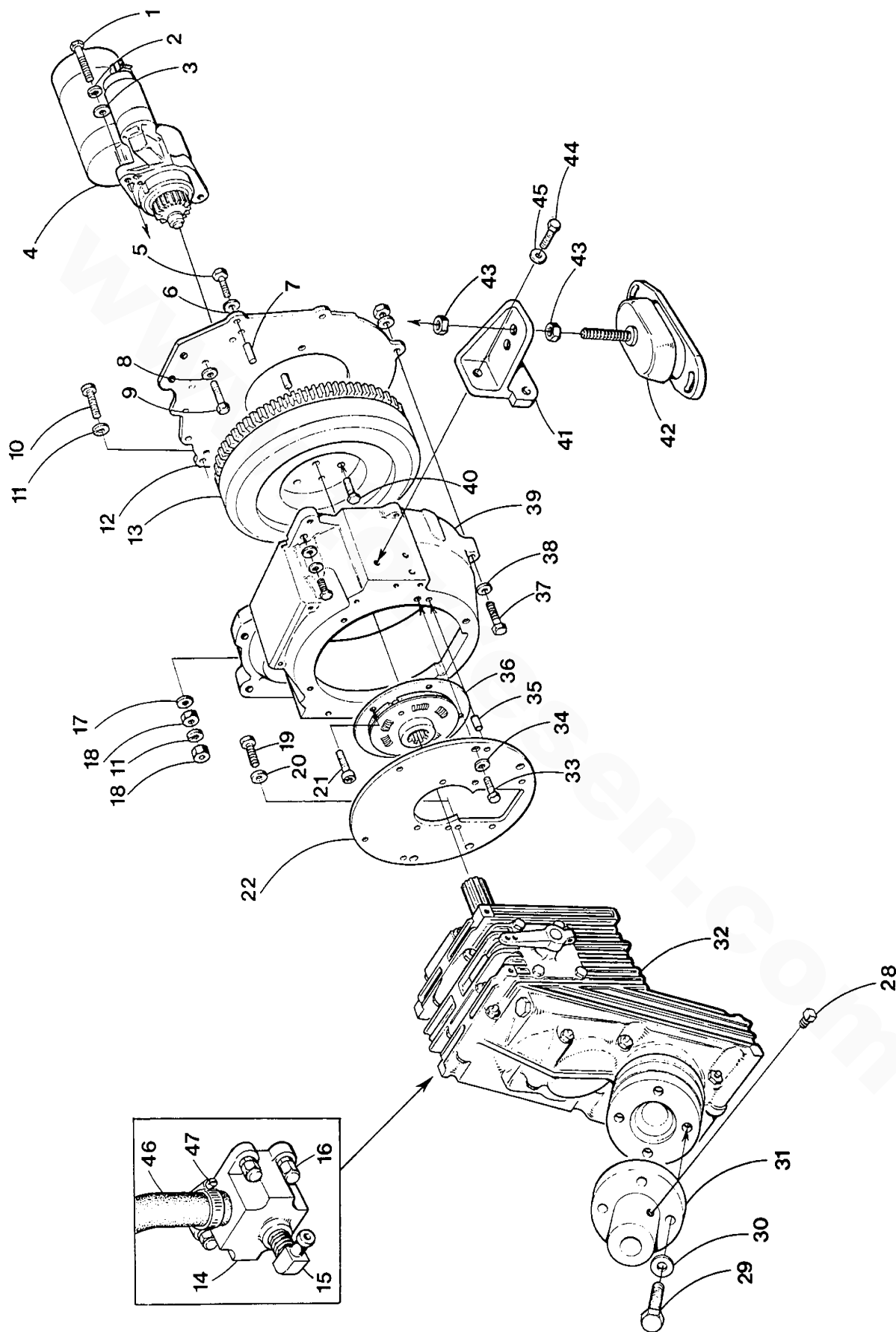
WESTERBEKE 30B THREE - V-DRIVE BACK END TO DECEMBER 1993



WESTERBEKE 30B THREE - V-DRIVE BACK END TO DECEMBER 1993

REF	PN	NAME	REMARKS	QUAN
1	034589	CAPSCREW	M10 X 30 DIN 933	2
2	019262	LOCKWASHER	M10 DIN 127	2
3	031789	WASHER	M10 DIN 125	2
4	034552	MOTOR	STARTER 12VDC	1
5	034589	CAPSCREW	M10 X 30 DIN 933	4
6	019262	LOCKWASHER	M10 DIN 127	4
7	013919	DOWEL	HOUSING TO BACKPLATE	2
8	019262	LOCKWASHER	M10 DIN 127	6
9	024952	CAPSCREW	M10 X 1.25 X 25 DIN 961	6
10	034833	CAPSCREW	M10 X 60 DIN 912 FULLY THREADED	1
11	019262	LOCKWASHER	M10 DIN 127	2
12	036051	PLATE	BACK	1
13-1	036554	FLYWHEEL	INCLUDING RING GEAR TO DECEMBER 1992	1
13-2	039706	FLYWHEEL	INCLUDING RING GEAR FROM DECEMBER 1992	1
13-3	039779	PIN	SPRING USED WITH 39706 FLYWHEEL	1
13-4	032996	GEAR	RING	1
14	040036	COOLER	TRANSMISSION	1
15	036614	ELBOW	3/4 NPT TO 1 HOSE	1
16-1	017196	CAPSCREW	M 8 X 20 DIN 933	4
16-2	031786	LOCKWASHER	M 8 DIN 127	4
17	031789	WASHER	M10 DIN 125	1
18	015887	NUT	M10 DIN 934	2
19	018813	CAPSCREW	M10 X 20 DIN 933	6
20	031790	LOCKWASHER	M10 DIN 137B	6
21	024778	SCREW	DAMPER TO FLYWHEEL	5
22	030063	ADAPTER	V-DRIVE TO HOUSING	1
28	023652	SETSCREW	COUPLING 3/8NC X 1	2
29	013629	CAPSCREW	M10 X 25 DIN 933	4
30	019262	LOCKWASHER	M10 DIN 127	4
31-1	023706	COUPLING	0.75 IN BORE	1
31-2	023707	COUPLING	0.875 IN BORE	1
31-3	023708	COUPLING	1.0 IN BORE	1
31-4	023709	COUPLING	1.125 IN BORE	1
31-5	023710	COUPLING	1.25 IN BORE	1
31-6	023711	COUPLING	1.375 IN BORE	1
31-7	023712	COUPLING	1.5 IN BORE	1
32-1	031249	GEAR	HBW V-DRIVE 1.8:1	1
32-2	030048	GEAR	HBW V-DRIVE 2.1:1	1
32-3	031250	GEAR	HBW V-DRIVE 3:1	1

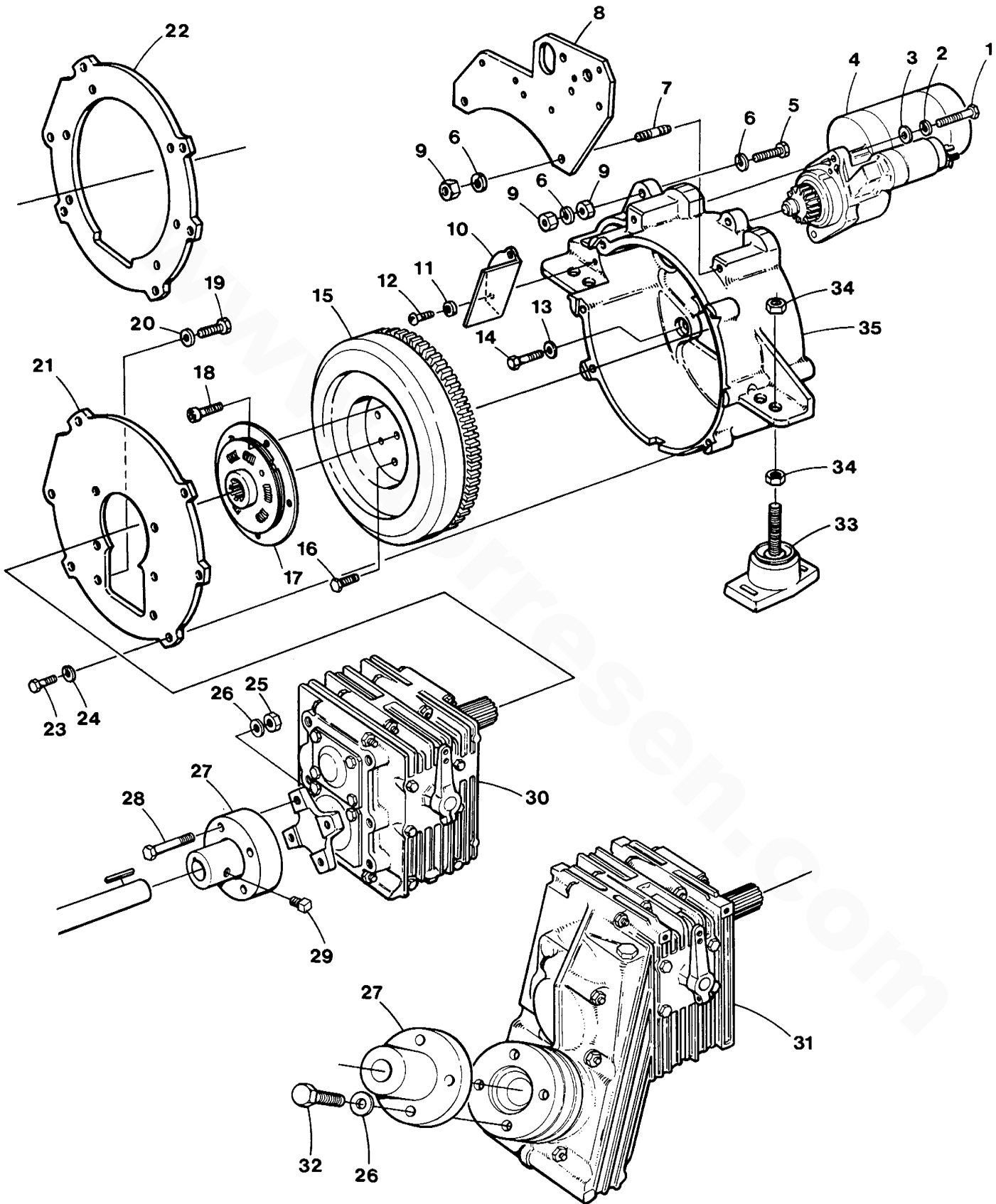
WESTERBEKE 30B THREE - V-DRIVE BACK END TO DECEMBER 1993



WESTERBEKE 30B THREE - V-DRIVE BACK END TO DECEMBER 1993

REF	PN	NAME	REMARKS	QUAN
33	034589	CAPSCREW	M10 X 30 DIN 933	6
34	019262	LOCKWASHER	M10 DIN 127	6
35	019039	DOWEL	ADAPTER TO HOUSING	2
36	019398	DAMPER		1
37	031926	CAPSCREW	M10 X 35 DIN 933	2
38	031789	WASHER	M10 DIN 125	2
39	034682	HOUSING	FLYWHEEL	1
40	036924	BOLT	FLYWHEEL	4
41	033890	MOUNT	REAR	2
42	036340	ISOLATOR	INCLUDING LOCKNUTS-REAR	2
43	036338	NUT	M16 DIN 985 LOCKING	4
44	013629	CAPSCREW	M10 X 25 DIN 933	6
45	019262	LOCKWASHER	M10 DIN 127	6
46	011779	HOSE	1 ID-INCHES REQUIRED	24
47	011405	CLAMP	HOSE 16	2
48	036622	NIPPLE	3/8 NPT TO 1 HOSE	1

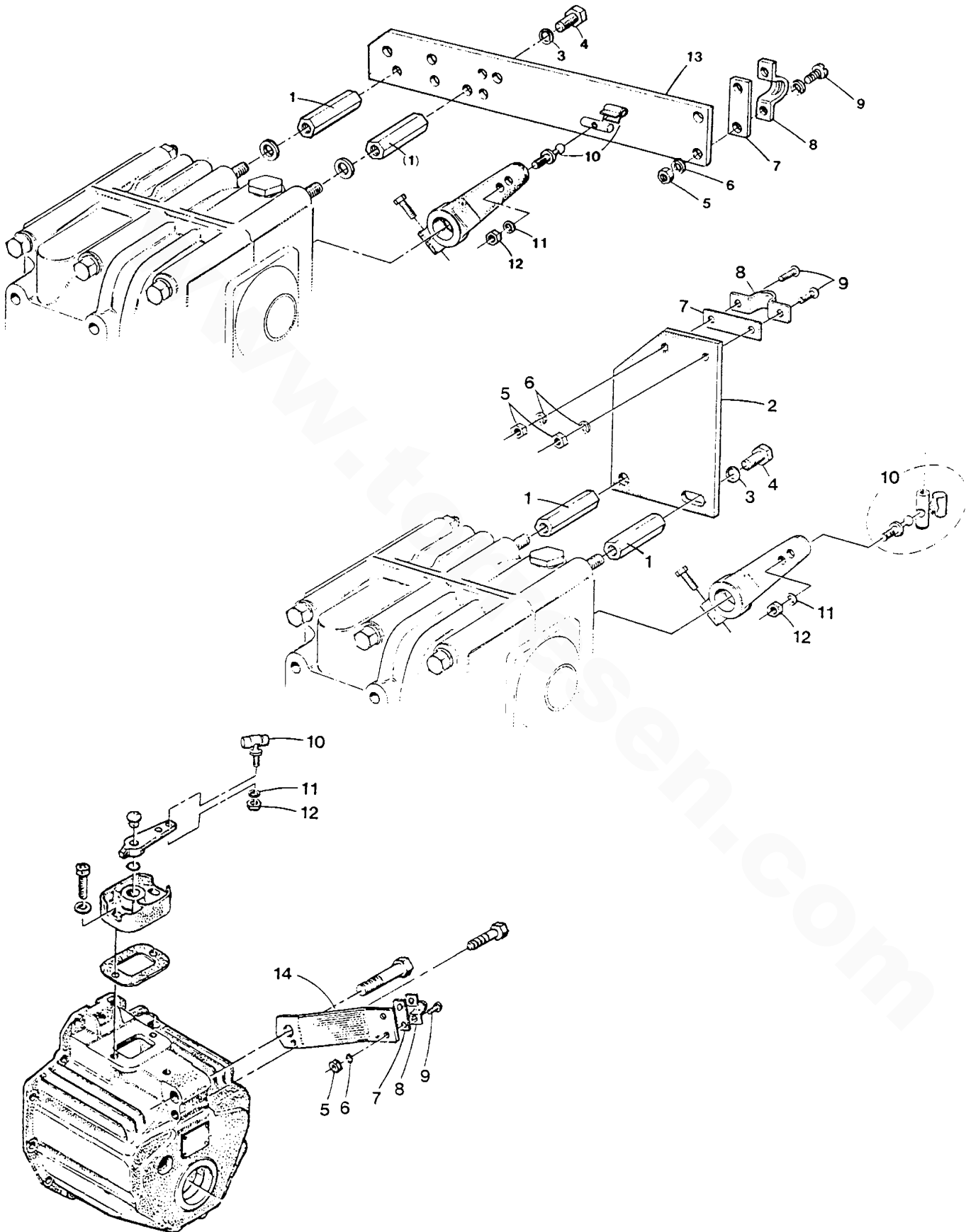
WESTERBEKE 20B TWO - 30B THREE - MODEL HBW BACK END FROM DECEMBER 1993



WESTERBEKE 20B TWO - 30B THREE - MODEL HBW BACK END FROM DECEMBER 1993

REF	PN	NAME	REMARKS	QUAN
1	034589	CAPSCREW	M10 X 30 DIN 933	2
2	019262	LOCKWASHER	M10 DIN 127	2
3	031789	WASHER	M10 DIN 125	2
4	034552	MOTOR	STARTER 12VDC	1
5	034590	CAPSCREW	M10 X 40 DIN 933 BATTERY GROUND	1
6	019262	LOCKWASHER	M10 DIN 127	2
7	015831	STUD	M 8 X 32 DIN 939	2
8		BRACKET	FUEL FILTER REFER TO FUEL PAGE	1
9	015887	NUT	M10 DIN 934	2
10	039830	COVER	STARTER ACCESS	1
11	031849	LOCKWASHER	10 SS	2
12	031782	SCREW	10-32 X 1/2 SS BH	2
13	019262	LOCKWASHER	M10 DIN 127	5
14	024952	CAPSCREW	M10 X 1.25 X 25 DIN 961	5
15-1	036554	FLYWHEEL	INCLUDING RING GEAR 2 CYLINDER	1
15-2	039706	FLYWHEEL	INCLUDING RING GEAR 3 CYLINDER	1
15-3	039779	PIN	SPRING USED WITH 39706 FLYWHEEL	1
15-4	032996	GEAR	RING	1
16	039624	BOLT	FLYWHEEL	4
17	019398	DAMPER		1
18	024778	SCREW	DAMPER TO FLYWHEEL	5
19-1	020650	CAPSCREW	M 8 X 18 DIN 933 HBW	6
19-2	018813	CAPSCREW	M10 X 20 DIN 933 HBW V-DRIVE	6
20-1	031786	LOCKWASHER	M 8 DIN 127	6
20-2	019262	LOCKWASHER	M10 DIN 127 HBW V-DRIVE	6
21-1	039762	ADAPTER	TRANSMISSION TO HOUSING HBW	1
21-2	040008	ADAPTER	TRANSMISSION TO HOUSING HBW V-DRIVE	1
23	013629	CAPSCREW	M10 X 25 DIN 933	6
24	019262	LOCKWASHER	M10 DIN 127	6
25	024950	NUT	M10 X 1.25 DIN 934	4
26	019262	LOCKWASHER	M10 DIN 127	4
27-1	023706	COUPLING	0.75 IN BORE	1
27-2	023707	COUPLING	0.875 IN BORE	1
27-3	023708	COUPLING	1.0 IN BORE	1
27-4	023709	COUPLING	1.125 IN BORE	1
27-5	023710	COUPLING	1.25 IN BORE	1
27-6	023711	COUPLING	1.375 IN BORE	1
27-7	023712	COUPLING	1.5 IN BORE	1
28	031228	CAPSCREW	M10 X 1.25 X 30 DIN 961	4
29	023652	SETSCREW	COUPLING 3/8NC X 1	2
30-1	024629	GEAR	HBW50 2:1 2 CYLINDER	1
30-2	024630	GEAR	HBW100 1.8:1 3 CYLINDER	1
30-3	030140	GEAR	HBW100 1.5:1	1
30-4	030095	GEAR	HBW100 2.7:1	1
31-1	031249	GEAR	HBW V-DRIVE 1.8:1 3 CYLINDER	1
31-2	030048	GEAR	HBW V-DRIVE 2.1:1 3 CYLINDER	1
31-3	031250	GEAR	HBW V-DRIVE 3:1 3 CYLINDER	1
32	013629	CAPSCREW	M10 X 25 DIN 933	4
33-1	036339	ISOLATOR	INCLUDING LOCKNUTS 2 CYLINDER REAR	2
33-2	036340	ISOLATOR	INCLUDING LOCKNUTS 3 CYLINDER REAR	2
33-3		NOTE:	REFER TO PAGE 149 FOR FRONT MOUNTS	
34	036338	NUT	M16 DIN 985 LOCKING	4
35	039813	HOUSING	FLYWHEEL	1

WESTERBEKE 20B TWO - 30B THREE - TRANSMISSION SHIFTING BRACKET



WESTERBEKE 20B TWO - 30B THREE - TRANSMISSION SHIFTING BRACKET

REF	PN	NAME	REMARKS	QUAN
1	030756	NUT	PILLAR - M 8	2
2	030181	BRACKET	V-DRIVE SHIFT CABLE - TOP ENTRY	1
3	031786	LOCKWASHER	M 8 DIN 127	2
4	013630	CAPSCREW	M 8 X 25 DIN 933	2
5	031847	NUT	10-32 SS	2
6	031849	LOCKWASHER	10 SS	2
7	013870	SHIM	CABLE CLAMP	1
8	013325	CLAMP	CABLE	1
9	031873	SCREW	10-32 X 5/8 SS BH	2
10	033482	BALL JOINT		1
11	031752	LOCKWASHER	1/4	1
12	031754	NUT	1/4NF	1
13	032161	BRACKET	SHIFT CABLE - HBW REAR ENTRY	1
14	031451	BRACKET	SHIFT CABLE - MODEL JS TRANSMISSION	1

WESTERBEKE 20B TWO - 30B THREE - MISCELLANEOUS

REF	PN	NAME	REMARKS	QUAN
1-1	037002	KIT A	SPARE PARTS - 20B TWO	1
1-2	037118	KIT A	SPARE PARTS - 30B THREE	1
2-1	037003	KIT B	SPARE PARTS-EXTENDED CRUISING - 20B TWO	1
2-2	037119	KIT B	SPARE PARTS-EXTENDED CRUISING-30B THREE	1
3-1	036998	GASKET SET	UPPER - 20B TWO	1
3-2	037116	GASKET SET	UPPER - 30B THREE	1
4-1	036999	GASKET SET	COMPLETE- 20B TWO	1
4-2	037117	GASKET SET	COMPLETE - 30B THREE	1
5	037121	KIT	FUEL HARDWARE	1
6	024177	KIT	REMOTE FRESH WATER SURGE TANK	1
7	013758	PAINT	RED-AEROSOL SPRAY CAN	1
8	020654	SPLITTER	ALTERNATOR OUTPUT	1
9	030760	HARNESS	12 PIN 15 FOOT EXTENSION	1
10	036557	HARNESS	4 PIN 15 FOOT EXTENSION	1
11	037115	PARTSLIST		1
12	037600	MANUAL	TECHNICAL	1
13	036906	MANUAL	OPERATOR	1
14	032974	FILTER	SEDIMENTER/WATER TRAP	1
15	039144	DIAGRAM	PROPULSION WIRING	1
16	033327	VALVE	ANTI-SIPHON VENT	1
17	015010	STRAINER	SEA WATER	1
18	034936	MUFFLER	HYDRO-HUSH C	1
19-1	033340	ADAPTER	HOSE TO MUFFLER-STRAIGHT	AR
19-2	033341	ADAPTER	HOSE TO MUFFLER-45 DEGREE	AR
19-3	033342	ADAPTER	HOSE TO MUFFLER-90 DEGREE	AR
19-4	033943	COUPLING	RUBBER INCLUDING CLAMPS	AR

PART NO	PAGE	REF	PART NO	PAGE	REF	PART NO	PAGE	REF
011386	121	2	015830	123	53-1	019262	153	2
011386	121	33	015830	125	40	019262	153	6
011386	125	2	015830	127	53-1	019262	153	8
011386	125	33	015831	123	53-2	019262	153	11
011405	121	29	015831	127	53-2	019262	153	30
011405	121	35	015831	157	7	019262	155	34
011405	123	46	015887	149	10	019262	155	45
011405	123	68	015887	149	15	019262	157	2
011405	125	29	015887	153	18	019262	157	6
011405	125	35	015887	157	9	019262	157	13
011405	127	46	016988	135	9	019262	157	20-2
011405	127	68	016988	139	9	019262	157	24
011405	149	29	017012	109	22-1	019262	157	26
011405	155	47	017012	111	22-1	019321	123	64
011471	127	65-2	017196	101	13	019321	127	56
011615	119	41-1	017196	105	13	019364	131	23
011779	155	46	017196	137	61	019369	121	25-1
011796	131	24	017196	141	62	019369	123	54
011885	123	62	017196	153	16-1	019369	125	25-1
011885	127	66	018241	143	14	019369	127	65-1
011917	147	19	018242	117	18	019370	131	26
012292	127	49	018242	121	44	019398	155	36
013325	133	53	018242	123	57	019398	157	17
013325	159	8	018242	125	44	020628	133	38-1
013340	117	33	018242	127	60	020628	143	30-1
013340	137	33	018242	137	34	020650	143	34
013340	141	33	018242	137	60	020650	157	19-1
013340	145	41	018242	141	35	020654	160	8
013341	101	18	018242	141	60	021878	121	37
013341	105	18	018242	143	13	021878	125	37
013343	135	11-3	018242	143	18	022513	137	27
013343	139	11-3	018249	101	16	022513	141	28
013344	135	11-2	018249	105	16	022850	127	57
013344	139	11-2	018804	101	9	022851	127	55
013355	147	27	018804	105	8	022852	127	58
013590	119	51-1	018804	109	25	023652	151	39
013629	153	29	018804	111	25	023652	153	28
013629	155	44	018804	121	11	023652	157	29
013629	157	23	018804	121	15	023706	151	37-1
013629	157	32	018804	121	28	023706	153	31-1
013630	117	25-1	018804	125	11	023706	157	27-1
013630	137	65	018804	125	15	023707	151	37-2
013630	141	66	018804	125	28	023707	153	31-2
013630	143	4	018804	137	49	023707	157	27-2
013630	159	4	018804	141	50	023708	151	37-3
013631	149	5	018804	145	38	023708	153	31-3
013741	123	49	018813	153	19	023708	157	27-3
013758	160	7	018813	157	19-2	023709	151	37-4
013870	133	49	019031	147	18-2	023709	153	31-4
013870	159	7	019039	155	35	023709	157	27-4
013871	133	50	019262	149	3	023710	151	37-5
013919	149	13	019262	149	6	023710	153	31-5
013919	153	7	019262	149	8	023710	157	27-5
015010	160	17	019262	149	11	023711	151	37-6
015812	131	27	019262	149	16	023711	153	31-6
015816	133	41-1	019262	149	20	023711	157	27-6
015828	117	22	019262	149	22	023712	151	37-7
015830	121	40	019262	151	40	023712	153	31-7

PART NO	PAGE	REF	PART NO	PAGE	REF	PART NO	PAGE	REF
023712	157	27-7	030003	147	10	030292	131	30
024132	119	41-2	030025	137	32	030293	131	29
024132	145	42	030025	141	34	030323	131	28
024177	160	6	030048	153	32-2	030326	117	24
024306	121	38	030048	157	31-2	030326	129	14
024306	125	38	030063	153	22	030386	121	9
024369	109	11	030095	157	30-4	030386	125	9
024369	111	8	030119	147	3	030449	133	40
024373	101	2	030140	157	30-3	030461	119	40
024373	105	2	030146	119	43	030594	143	1
024600	135	11-1	030146	121	10	030707	101	31
024600	139	11-1	030146	125	10	030707	105	31
024629	157	30-1	030148	147	17	030708	101	5
024630	157	30-2	030165	121	31	030708	105	4
024637	123	79	030165	125	31	030711	109	6
024637	127	79	030181	159	2	030711	111	6
024639	143	28-1	030199	137	47	030712	101	10
024683	143	23	030199	141	48	030712	105	10
024704	123	77	030200	137	46	030712	119	45
024704	127	77	030200	141	47	030756	159	1
024778	149	17	030210	137	45-1	030760	160	9
024778	153	21	030210	141	46-1	030913	147	2
024778	157	18	030211	137	45-2	030940	149	18
024786	123	76	030211	141	46-2	030946	147	28
024786	127	76	030212	137	48	031225	111	43
024844	117	35	030212	141	49	031225	137	44
024844	145	40	030213	137	37	031225	141	45
024858	123	78	030213	141	38	031228	151	38
024858	127	78	030214	101	24	031228	157	28
024905	103	47	030214	105	23	031249	153	32-1
024905	107	47	030219	109	18	031249	157	31-1
024906	123	80	030219	111	18	031250	153	32-3
024906	127	80	030225	119	39	031250	157	31-3
024906	135	3	030231	113	6	031281	117	21
024906	137	57	030231	115	6	031451	159	14
024906	139	3	030234	143	10-2	031506	123	61
024906	141	58	030239	101	22	031506	127	64
024907	121	39	030239	105	22	031752	123	60
024907	125	39	030241	109	31	031752	127	63
024922	103	46	030241	111	31	031752	159	11
024922	107	46	030242	109	28	031753	123	59
024922	149	23	030242	111	28	031753	127	62
024947	147	29-1	030244	119	37	031754	159	12
024948	101	14	030272	101	12	031760	143	29
024948	105	14	030272	105	12	031782	157	12
024950	151	41	030273	117	3	031783	101	25-2
024950	157	25	030274	113	7	031783	101	28-2
024952	149	19	030274	115	7	031783	103	41-2
024952	153	9	030274	117	16	031783	105	25-2
024952	157	14	030277	131	9	031783	105	28-2
024953	149	21	030277	131	14	031783	107	41-2
024977	123	75	030280	117	11	031783	109	22-2
024977	127	75	030289	135	8	031783	111	22-2
024984	137	39	030289	137	38	031783	117	7-2
024984	141	40	030289	139	8	031783	119	46-2
024996	147	13	030289	141	39	031783	119	51-2
030001	147	14	030291	137	40	031783	121	8-2
030002	147	12	030291	141	41	031783	121	27

PART NO	PAGE	REF	PART NO	PAGE	REF	PART NO	PAGE	REF
031783	123	48-1	031789	153	17	033037	129	5
031783	125	8-2	031789	155	38	033043	129	7
031783	125	27	031789	157	3	033044	129	3
031783	127	48-1	031790	153	20	033052	143	28-2
031783	133	38-2	031792	149	26	033056	103	45
031783	133	41-2	031801	109	36	033123	109	17
031783	133	47	031801	111	36	033123	111	17
031783	137	29	031802	131	12	033123	117	31
031783	137	50	031802	131	20	033124	109	35
031783	141	30	031809	103	37	033124	111	35
031783	141	51	031809	107	37	033126	109	16
031783	143	6	031810	101	25-1	033126	111	16
031784	109	14	031810	101	28-1	033126	117	30
031784	109	22-3	031810	105	25-1	033134	109	10
031784	111	14	031810	105	28-1	033134	111	9
031784	111	22-3	031810	119	46-1	033149	109	30
031784	121	26	031810	133	48	033149	111	30
031784	123	48-2	031810	143	7	033151	109	41
031784	125	26	031824	119	44	033151	111	41
031784	127	48-2	031824	121	6	033152	109	40
031784	137	28	031824	125	6	033152	111	40
031784	141	29	031825	103	41-1	033200	133	39
031784	143	30-3	031825	107	41-1	033212	101	4
031786	109	38	031825	117	7-1	033212	105	3
031786	111	38	031825	121	8-1	033297	123	65
031786	117	19	031825	123	47	033298	123	63
031786	117	25-2	031825	125	8-1	033327	160	16
031786	121	43	031825	127	47	033340	160	19-1
031786	123	56	031825	131	7	033341	160	19-2
031786	125	43	031825	137	30	033342	160	19-3
031786	127	59	031825	141	31	033351	121	14
031786	131	11	031834	149	27	033351	125	14
031786	131	19	031843	143	24	033381	143	2
031786	137	35	031844	143	25	033402	123	66
031786	137	59	031847	131	1	033482	159	10
031786	137	64	031847	131	22	033538	113	13
031786	141	36	031847	143	15	033538	115	13
031786	141	61	031847	159	5	033636	117	23
031786	141	65	031849	131	2	033636	121	4
031786	143	3	031849	131	21	033636	125	4
031786	143	12	031849	133	51	033636	129	1-1
031786	143	35	031849	157	11	033657	101	11
031786	153	16-2	031849	159	6	033657	105	11
031786	157	20-1	031861	143	27	033657	109	7
031786	159	3	031866	143	26	033657	111	7
031787	109	39	031870	131	25	033682	147	16
031787	111	39	031872	131	4	033684	147	11
031787	117	20	031873	133	52	033691	107	45-1
031787	121	42	031873	159	9	033693	147	9
031787	125	42	031926	155	37	033764	147	18-1
031787	137	36	031935	123	51	033865	147	8
031787	137	63	031935	127	51	033890	155	41
031787	141	37	032015	143	9	033943	160	19-4
031787	141	64	032161	159	13	034189	151	43
031787	143	11	032974	160	14	034397	117	36
031789	149	4	032996	149	12-5	034440	129	9
031789	149	32	032996	153	13-4	034457	129	1-2
031789	153	3	032996	157	15-4	034458	129	6

PART NO	PAGE	REF	PART NO	PAGE	REF	PART NO	PAGE	REF
034459	129	11	036340	157	33-2	036906	160	13
034460	129	8	036342	111	20	036914	113	4
034461	129	12	036425	123	71	036914	115	4
034462	129	4	036425	127	71	036915	119	42
034463	129	13	036473	147	23	036916	103	38
034464	129	2	036477	147	32	036916	107	38
034466	129	1-3	036479	147	26-1	036917	101	7
034470	149	31	036483	147	29-2	036917	105	6
034552	143	20	036490	147	26-2	036918	101	23
034552	149	1	036493	103	42	036918	105	24
034552	153	4	036493	107	42	036919	109	8
034552	157	4	036541	123	70	036919	111	11
034589	149	2	036541	127	70	036921	135	14
034589	149	7	036544	147	33	036921	139	15
034589	153	1	036545	147	34	036922	135	16
034589	153	5	036554	149	12-1	036922	139	17
034589	155	33	036554	149	12-2	036923	135	26
034589	157	1	036554	153	13-1	036923	139	27
034590	157	5	036554	157	15-1	036924	149	14
034620	109	21	036556	121	36	036924	155	40
034620	111	21	036557	160	10	036925	135	19- 1
034642	109	26	036559	149	33	036925	139	20- 1
034642	111	26	036560	149	25	036926	135	19- 2
034642	121	7	036563	143	31	036926	139	20- 2
034642	125	7	036612	121	5	036927	135	19- 3
034667	145	44	036612	125	5	036927	139	20- 3
034669	143	33	036614	123	67	036928	139	20- 4
034682	155	39	036614	123	74-1	036929	135	19- 4
034712	121	3	036614	127	67	036929	139	20- 5
034712	125	3	036614	127	74-1	036930	135	19- 6
034746	107	45-2	036614	153	15	036930	139	20- 6
034761	117	34-1	036616	123	74-2	036931	135	19- 7
034761	145	43-1	036616	127	74-2	036931	139	20- 7
034833	153	10	036622	155	48	036932	135	19- 8
034857	135	4	036626	147	30	036932	139	20- 8
034857	139	4	036627	147	31	036933	135	19- 9
034936	160	18	036630	147	36	036933	139	20- 9
035109	121	25-2	036654	121	34	036934	135	19-10
035109	125	25-2	036654	125	34	036934	139	20-10
035109	143	16	036691	127	50	036935	135	23
035112	147	24	036725	131	18	036935	139	24
035114	147	5	036809	123	52	036936	109	15
035118	147	4	036810	149	34	036936	111	15
035411	127	52	036812	149	24	036937	121	22
035747	123	73-2	036819	103	44	036937	125	22
035747	127	73-2	036819	107	44	036938	119	47
035822	149	30	036829	147	21	036939	133	45
035825	147	20	036843	147	1	036940	101	3
036043	147	25	036845	133	46	036940	105	9
036051	149	9	036847	131	3	036941	133	42
036051	153	12	036849	123	73-1	036942	131	6
036218	143	19	036849	127	73-1	036943	101	21
036228	121	24	036860	137	56	036943	105	21
036228	125	24	036861	141	57	036944	143	32-2
036338	155	43	036865	137	42	036945	101	8
036338	157	34	036867	141	43	036945	105	7
036339	157	33-1	036868	137	51	036946	117	26
036340	155	42	036868	141	52	036947	121	23

PART NO	PAGE	REF	PART NO	PAGE	REF	PART NO	PAGE	REF
036947	125	23	036989	131	10	037043	121	20
036948	117	4	036991	115	8-1	037043	125	20
036948	117	10	036992	113	8	037044	131	31
036948	117	15	036993	115	10-1	037045	101	26
036949	117	1	036994	113	9	037045	105	26
036950	117	5	036994	115	9	037046	109	19
036951	135	12	036995	117	14	037046	111	19
036951	139	12	036996	117	9	037047	113	1-1
036952	135	13	036997	101	29	037047	115	1-1
036952	139	13	036997	105	29	037048	131	33-1
036953	139	14	036998	160	3-1	037050	119	48
036954	109	9	036999	160	4-1	037051	119	49
036954	111	10	037002	160	1-1	037052	109	13
036955	125	41	037003	160	2-1	037053	109	37
036956	121	21	037004	101	30	037053	111	37
036956	125	21	037004	105	30	037056	109	1
036957	121	13	037005	101	32	037056	111	1
036957	125	13	037005	105	32	037057	121	16
036958	109	3	037006	117	8	037057	125	16
036958	111	3	037007	111	12	037058	113	2-2
036959	109	4	037008	111	23	037058	115	2-2
036959	111	4	037009	139	2-3	037059	113	2-3
036960	109	43	037010	139	2-5	037059	115	2-3
036960	111	44	037011	139	2-6	037060	113	1-2
036961	145	36-1	037012	139	2-7	037060	115	1-2
036961	145	36-2	037013	139	2-8	037061	113	1-3
036962	103	35	037014	139	2-9	037061	115	1-3
036962	107	35	037015	121	12	037062	105	34-2
036963	101	6	037015	125	12	037063	105	34-3
036963	105	5	037016	121	17	037064	101	34-2
036964	139	2-1	037016	125	17	037065	101	34-3
036965	139	2-2	037017	117	17-2	037066	113	5-2
036966	139	2-4	037018	105	34-1	037066	115	5-2
036967	111	42	037019	117	28	037067	113	5-3
036968	117	32	037021	133	44	037067	115	5-3
036969	111	2	037022	133	43	037068	103	36
036970	117	6	037024	131	8	037068	107	36
036971	109	42	037025	117	13	037069	113	5-1
036972	117	17-1	037026	109	27	037069	115	5-1
036973	121	41	037026	111	27	037070	119	50
036974	135	2-1	037027	109	34	037071	113	2-1
036975	135	2-2	037027	111	34	037071	115	2-1
036976	135	2-4	037028	145	37-2	037072	101	20
036977	109	2	037029	109	33	037072	105	20
036978	117	12	037029	111	33	037073	101	19
036979	109	32	037030	119	38	037073	105	19
036979	111	32	037031	101	34-1	037074	101	15
036980	111	24	037032	103	39	037074	105	15
036981	101	27	037033	135	2-3	037075	117	2-2
036981	105	27	037034	135	2-5	037076	117	2-1
036982	117	27	037035	135	2-6	037077	113	3
036984	105	1-2	037036	135	2-7	037077	115	3
036985	101	1-2	037037	135	2-8	037078	131	37
036986	109	29	037038	135	2-9	037079	131	34
036986	111	29	037039	109	12	037080	131	36
036987	101	17	037040	145	37-1	037081	131	35-1
036987	105	17	037041	109	23	037082	131	32-2
036988	107	39	037042	109	24	037083	113	10

PART NO	PAGE	REF	PART NO	PAGE	REF	PART NO	PAGE	REF
037084	111	5	037167	115	11	039144	160	15
037085	109	5	037168	113	12	039275	137	31
037086	117	29	037168	115	12	039275	141	32
037087	111	13	037173	101	1-1	039624	157	16
037089	131	32-1	037187	137	58	039706	149	12-3
037090	131	5	037187	141	59	039706	153	13-2
037091	135	17	037191	109	20	039706	157	15-2
037091	139	18	037311	121	45	039762	157	21-1
037092	131	35-2	037312	125	45	039764	141	63-1
037094	103	40	037323	117	34-2	039766	137	62
037095	107	40	037323	145	43-2	039779	149	12-4
037098	135	15	037342	143	5	039779	153	13-3
037099	139	16	037343	143	10-1	039779	157	15-3
037100	143	32-1	037348	143	21-1	039806	145	46
037101	131	33-2	037353	149	36	039813	157	35
037102	135	1	037383	121	30	039830	157	10
037103	139	1	037383	125	30	039885	125	36
037104	137	54	037393	103	43	039937	137	43-3
037104	141	55	037393	107	43	039937	141	44-3
037105	135	5	037401	123	72-1	039969	141	63-2
037105	139	5	037401	127	72-1	040008	157	21-2
037106	135	20	037402	123	72-2	040036	153	14
037106	139	21	037402	127	72-2	040621	149	35-1
037107	135	21	037453	121	25-3	040621	149	35-2
037107	139	22	037453	125	25-3	040925	115	10-2
037108	135	22	037493	121	18	040926	115	8-2
037108	139	23	037493	125	18	303062	149	35-3
037109	135	25	037493	143	17-1			
037109	139	26	037502	133	54			
037110	137	53	037504	151	42			
037110	141	54	037506	123	50			
037111	137	55	037507	151	44			
037111	141	56	037508	119	52			
037112	135	18	037508	145	45			
037112	139	19	037564	127	54			
037113	135	24	037587	123	55			
037113	139	25	037600	160	12			
037114	101	33	037601	147	6			
037114	105	33	037602	131	16			
037115	160	11	037603	147	7			
037116	160	3-2	037604	105	1-1			
037117	160	4-2	037605	147	15			
037118	160	1-2	038045	137	43-1			
037119	160	2-2	038045	137	43-2			
037121	160	5	038045	141	44-1			
037152	121	32	038045	141	44-2			
037152	125	32	038047	137	41			
037154	123	69	038047	141	42			
037154	127	69	038074	145	39			
037154	149	28	038116	143	21-2			
037157	121	1	038399	135	7			
037158	125	1	038399	139	7			
037162	121	19	038402	135	6			
037162	125	19	038402	139	6			
037162	143	17-2	038429	139	10			
037163	137	52	038432	135	10			
037163	141	53	038527	143	8			
037167	113	11	039144	147	35			