

# PARTS LIST

## WESTERBEKE

### 12C Two

### Marine Diesel Engine

Publication #039721

Edition One

October 1994



# PARTS LIST

**WESTERBEKE**

**12C Two**

**Marine Diesel Engine**

Publication #039721

Edition One

October 1994



**IMPORTANT**

**PRODUCT SOFTWARE DISCLAIMER**

Product software of all kinds such as brochures, drawings, technical data, operator's and workshop manuals, parts lists and parts price lists, and other information, instructions and specifications provided from sources other than Westerbeke, is not within Westerbeke's control and, accordingly, is provided to Westerbeke customers only as a courtesy and service. **Westerbeke cannot be responsible for the content of such software, makes no warranties or representations with respect thereto, including the accuracy, timeliness or completeness thereof, and will in no event be liable for any type of damages or injury incurred in connection with, or arising out of, the furnishing or use of such software.**

For example, components and subassemblies incorporated in Westerbeke's products and supplied by others (such as engine blocks, fuel systems and components, transmissions, electrical components, pumps and other products) are generally supported by their manufacturers with their own software, and Westerbeke must depend on such software for the design of Westerbeke's own product software. Such software may be outdated and no longer accurate. Routine changes made by Westerbeke's suppliers, of which Westerbeke rarely has notice in advance, are frequently not reflected in the supplier's software until after such changes take place.

Westerbeke customers should also keep in mind the time span between printings of Westerbeke product software, and the unavoidable existence of earlier, non-current Westerbeke software editions in the field. Additionally, most Westerbeke products include customer-requested special features that frequently do not include complete documentation.

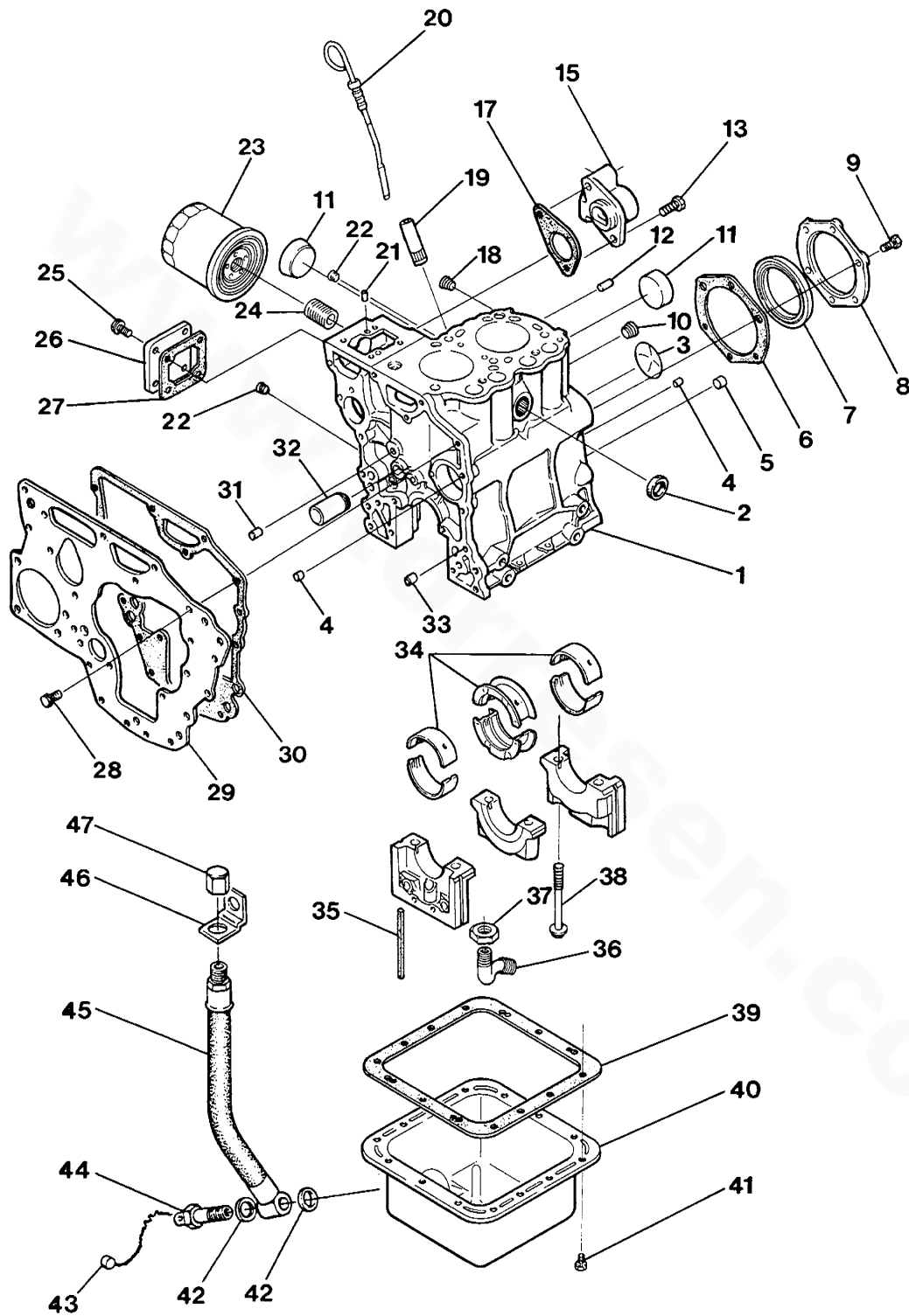
In summation, product software provided with Westerbeke products, whether from Westerbeke or other suppliers, must not and cannot be relied upon exclusively as the definitive authority on the respective product. It not only makes good sense but is imperative that appropriate representatives of Westerbeke or the supplier in question be consulted to determine the accuracy and currency of the product software being consulted by the customer.

12C TWO PROPULSION ENGINE

TABLE OF CONTENTS

PAGE	DESCRIPTION
100	CYLINDER BLOCK
104	CYLINDER HEAD - VALVES - ROCKER SHAFT
106	CRANKSHAFT - PISTONS
108	CAMSHAFT - TIMING SYSTEM
112	COOLING SYSTEM
116	SEA WATER PUMP
118	GOVERNOR SYSTEM
122	FUEL SYSTEM
126	ELECTRICAL SYSTEM
128	INSTRUMENT PANELS
130	BACK END TO DECEMBER 1993
132	BACK END FROM DECEMBER 1993
134	TRANSMISSION SHIFTING BRACKET
136	MISCELLANEOUS
	NUMERICAL INDEX

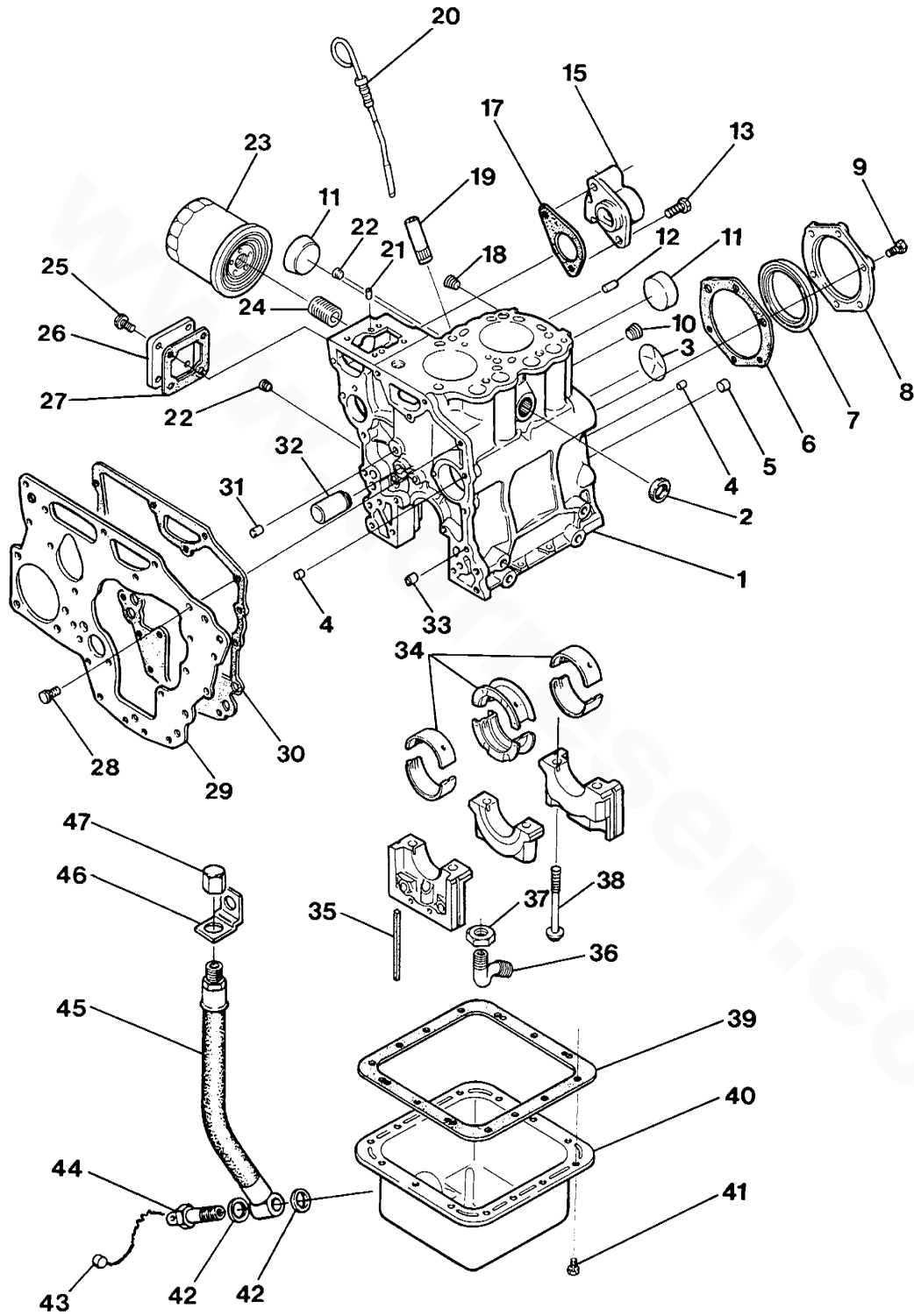
WESTERBEKE 12C TWO - CYLINDER BLOCK



WESTERBEKE 12C TWO - CYLINDER BLOCK

REF	PN	NAME	REMARKS	QUAN
1	037173	BLOCK	ASSEMBLY INCLUDING HEAD	1
2	024373	PLUG	EXPANSION 25MM DIN 443	1
3	036940	PLUG	EXPANSION 35MM DIN 470	1
4	033212	DOWEL	TUBULAR 6 X 9	2
5	030708	DOWEL	TUBULAR 10 X 9	3
6	036963	GASKET	OIL SEAL FLANGE	1
7	036917	SEAL	OIL	1
8	036945	FLANGE	OIL SEAL	1
9	018804	CAPSCREW	M 6 X 20 DIN 933	6
10	030712	PLUG	1/4 BSPT DIN 906	1
11	033657	PLUG	EXPANSION	2
12	030272	DOWEL		1
13	016789	CAPSCREW	M 8 X 16 DIN 933	2
15	038679	COVER		1
17	036987	GASKET	COVER TO BLOCK	1
18	013341	PLUG	1/4 NPT HEX HEAD BRASS	1
19	037073	TUBE	DIPSTICK	1
20	037072	DIPSTICK		1
21	036943	DOWEL		2
22	030239	PLUG	1/16	3
23	036918	FILTER	OIL	1
24	030214	NIPPLE	OIL FILTER	1
25-1	031810	CAPSCREW	M 6 X 14 DIN 933	4
25-2	031783	LOCKWASHER	M 6 DIN 127	4
26	037045	COVER	TIE ROD	1
27	036981	GASKET	TIE ROD COVER	1
28-1	031810	CAPSCREW	M 6 X 14 DIN 933	7
28-2	031783	LOCKWASHER	M 6 DIN 127	7
29	036997	PLATE	FRONT	1
30	037004	GASKET	FRONT PLATE	1
31	030707	DOWEL	TUBULAR 8 X 13	2
32	037005	SHAFT	IDLER	1
33	037114	DOWEL	TUBULAR 6 X 13	1
34-1	037031	BEARING	SET-MAIN STD	1
34-2	037064	BEARING	SET-MAIN 0.25 MM	1
34-3	037065	BEARING	SET-MAIN 0.50 MM	1

WESTERBEKE 12C TWO - CYLINDER BLOCK

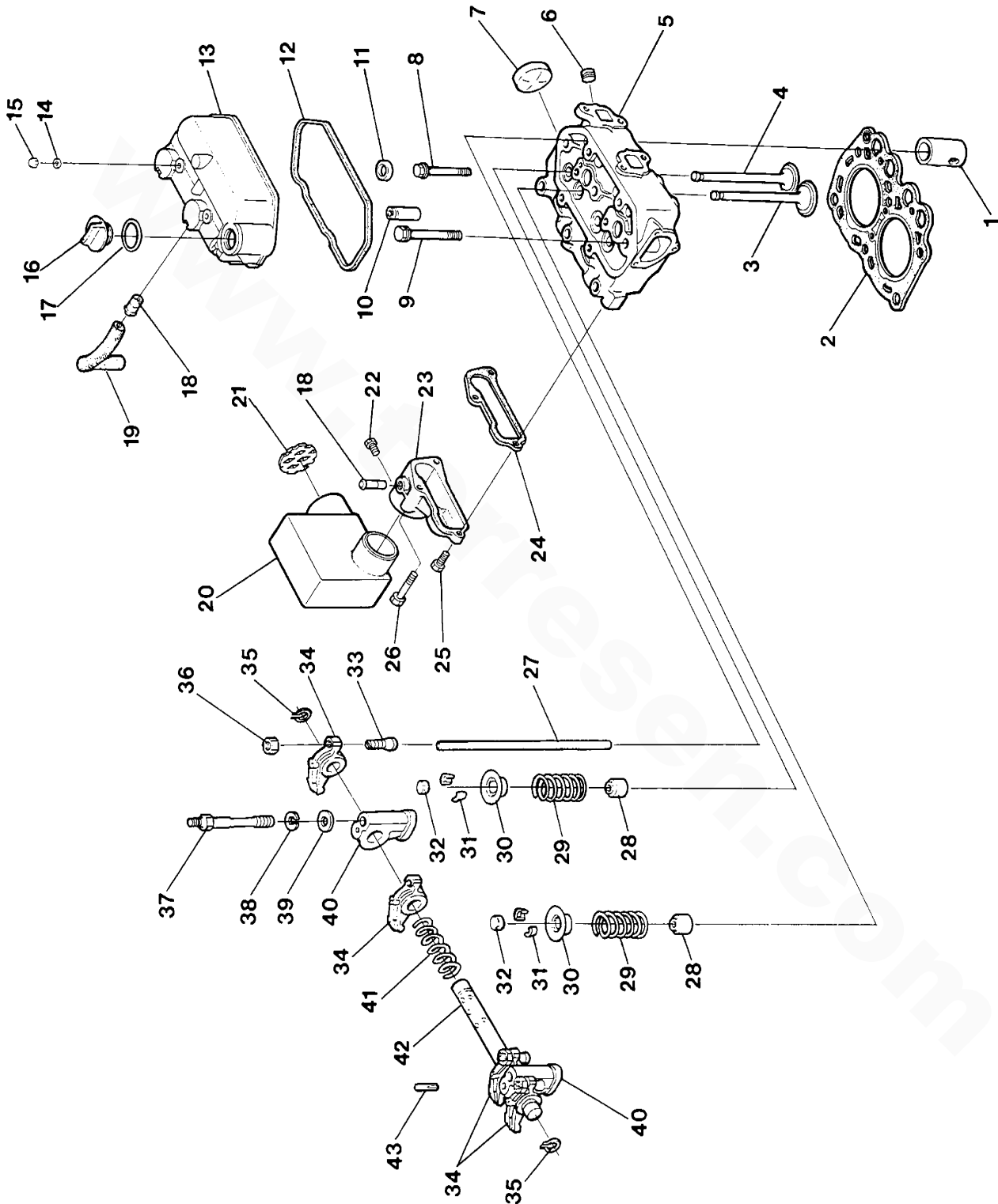


WESTERBEKE 12C TWO - CYLINDER BLOCK

REF	PN	NAME	REMARKS	QUAN
35	036962	SEAL	SIDE MAIN BEARING CAP	4
36	037068	STRAINER	OIL PICKUP INCLUDING NUT	1
37	031809	NUT	M14 X 1.5 JAM	1
38	036916	BOLT	MAIN BEARING CAP	6
39	037032	GASKET	SUMP	1
40	037094	SUMP	LUBE OIL	1
41-1	031825	CAPSCREW	M 6 X 12 DIN 933	14
41-2	031783	LOCKWASHER	M 6 DIN 127	14
42	036493	WASHER	SUMP DRAIN BANJO	2
43	037393	SEAL	LEAD WIRE	1
44	036819	BOLT	BANJO-SUMP DRAIN	1
45	033056	HOSE	SUMP DRAIN	1
46	024922	BRACKET	SUMP DRAIN HOSE	1
47	024905	CAP	SUMP DRAIN HOSE	1



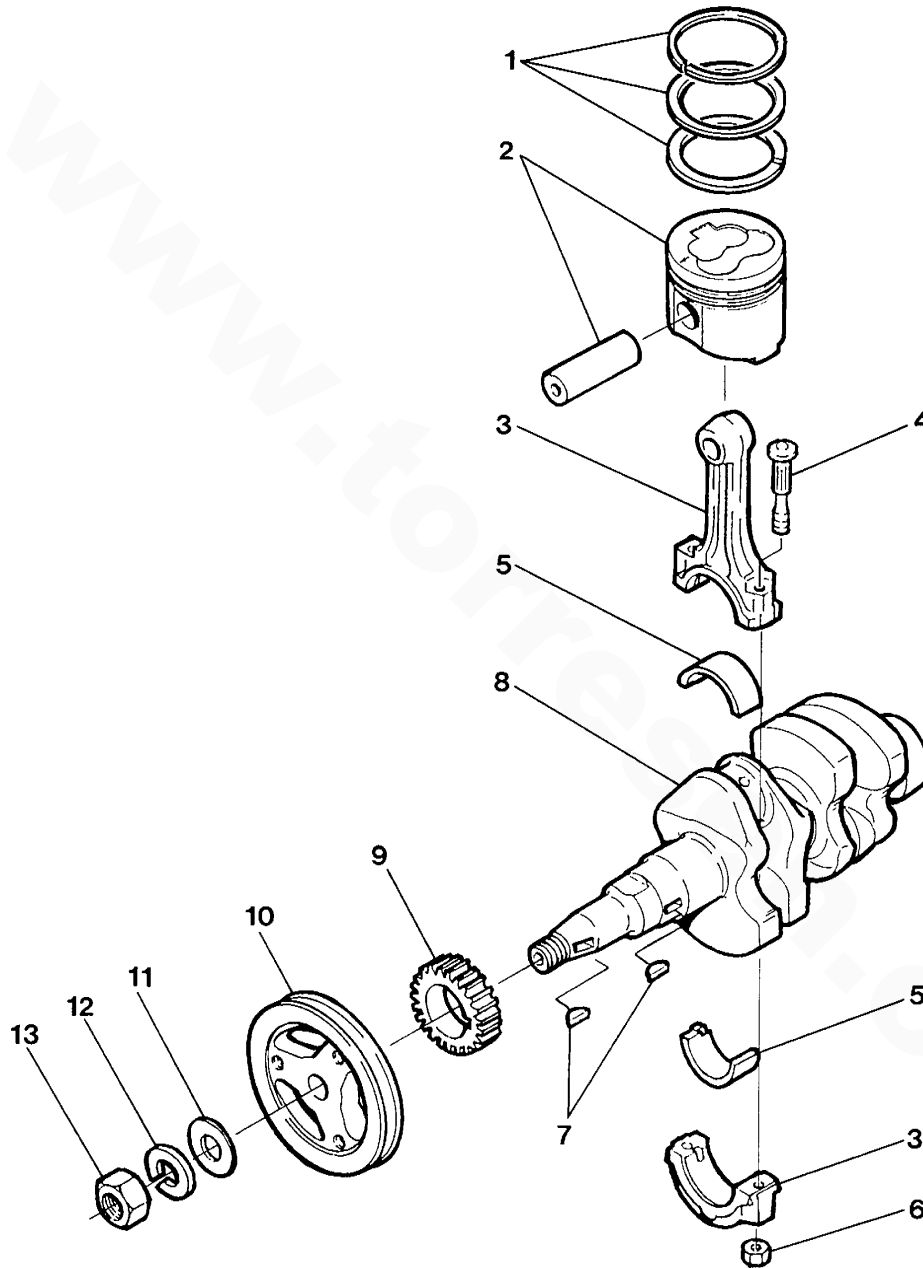
WESTERBEKE 12C TWO - CYLINDER HEAD - VALVES - ROCKER SHAFT



WESTERBEKE 12C TWO - CYLINDER HEAD - VALVES - ROCKER SHAFT

REF	PN	NAME	REMARKS	QUAN
1	037056	TAPPET		4
2	036977	GASKET	CYLINDER HEAD	1
3	036958	VALVE	INTAKE	2
4	036959	VALVE	EXHAUST	2
5	037085	HEAD	CYLINDER INCLUDING GUIDES	1
6	030711	PLUG	1/8 BSPT DIN 906	1
7	033657	PLUG	EXPANSION 40MM DIN 443	1
8	036919	BOLT	CYLINDER HEAD M 8 X 70	2
9	036954	BOLT	CYLINDER HEAD M10 X 83	6
10	033134	GUIDE	VALVE	4
11	024369	PLUG	EXPANSION 20MM DIN 443	2
12	037039	GASKET	ROCKER COVER	1
13	037052	COVER	ROCKER	1
14	031784	WASHER	M 6 DIN 125	2
15	036936	NUT	CAP M 6	2
16	033126	CAP	OIL FILLER INCLUDING O-RING	1
17	033123	O-RING	OIL FILLER CAP	1
18	030219	NIPPLE	BREATHER HOSE	2
19	037046	HOSE	BREATHER	1
20	037191	SILENCER	AIR INTAKE	1
21	034620	SCREEN	AIR INTAKE SILENCER	1
22-1	017012	CAPSCREW	M 6 X 16 DIN 933	1
22-2	031783	LOCKWASHER	M 6 DIN 127	1
22-3	031784	WASHER	M 6 DIN 125	1
23	037041	MANIFOLD	INTAKE	1
24	037042	GASKET	INTAKE MANIFOLD TO HEAD	1
25	018804	CAPSCREW	M 6 X 20 DIN 933	1
26	034642	CAPSCREW	M 6 X 45 DIN 931	2
27	037026	PUSHROD		4
28	030242	SEAL	VALVE STEM	4
29	036986	SPRING	VALVE	4
30	033149	SEAT	VALVE SPRING	4
31	030241	COLLET	VALVE SPRING	8
32	036979	CAP	VALVE STEM	4
33	037029	SCREW	ROCKER ADJUSTING	4
34	037027	ROCKER		4
35	033124	SNAPRING		2
36	031801	NUT	M 6 JAM	4
37	037053	BOLT	ROCKER BRACKET	2
38	031786	LOCKWASHER	M 8 DIN 127	2
39	031787	WASHER	M 8 DIN 125	2
40	033152	BRACKET	ROCKER	2
41	033151	SPRING	ROCKER SHAFT	1
42	036971	SHAFT	ROCKER	1
43	036960	PIN	GROOVED	1

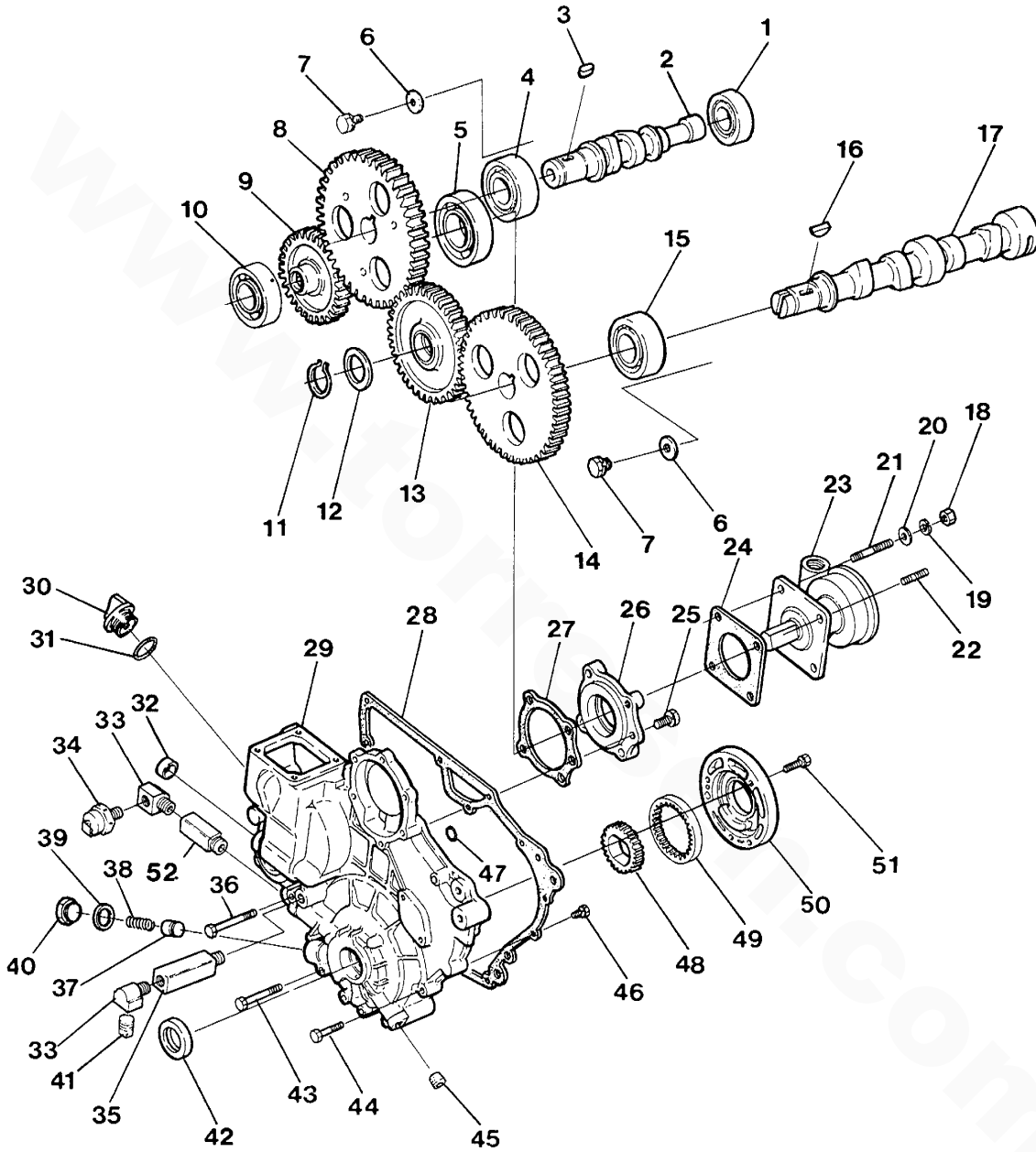
WESTERBEKE 12C TWO - CRANKSHAFT - PISTONS



WESTERBEKE 12C TWO - CRANKSHAFT - PISTONS

REF	PN	NAME	REMARKS	QUAN
1-1	037047	RING SET	PISTON STD	2
1-2	037060	RING SET	PISTON 0.25 MM	2
1-3	037061	RING SET	PISTON 0.50 MM	2
2-1	037071	PISTON	INCLUDING PIN STD	2
2-2	037058	PISTON	INCLUDING PIN 0.25 MM	2
2-3	037059	PISTON	INCLUDING PIN 0.50 MM	2
3	037077	ROD	CONNECTING INCLUDING BOLT AND NUT	2
4	036914	BOLT	CONNECTING ROD	4
5-1	037069	BEARING	SET-CONNECTING ROD STD	2
5-2	037066	BEARING	SET-CONNECTING ROD 0.25 MM	2
5-3	037067	BEARING	SET-CONNECTING ROD 0.50 MM	2
6	030231	NUT	CONNECTING ROD BOLT	4
7	030274	KEY	WOODRUFF	2
8	036992	CRANKSHAFT		1
9	036994	GEAR	CRANKSHAFT	1
10	037083	PULLEY	CRANKSHAFT	1
11	037167	WASHER	M16	1
12	037168	LOCKWASHER	M16	1
13	033538	NUT	M16 X 1.5 JAM	1

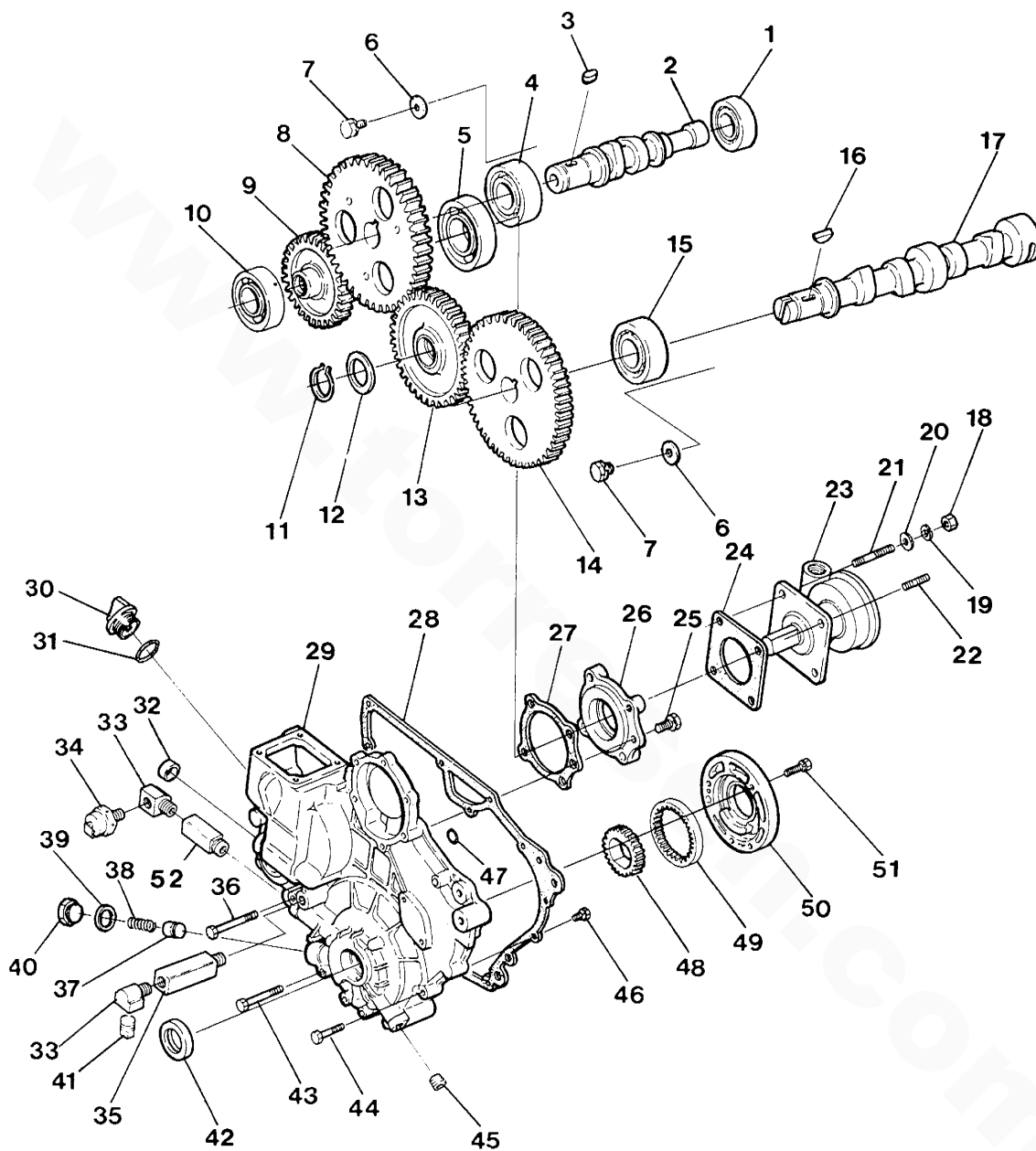
WESTERBEKE 12C TWO - CAMSHAFT - TIMING SYSTEM



WESTERBEKE 12C TWO - CAMSHAFT - TIMING SYSTEM

REF	PN	NAME	REMARKS	QUAN
1	036949	BEARING	BALL	1
2	037076	CAMSHAFT	INJECTION PUMP	1
3	030273	KEY		1
4	036948	BEARING	BALL	1
5	036950	BEARING	BALL	1
6	036970	WASHER	CAMSHAFT RETAINING	2
7-1	031825	CAPSCREW	M 6 X 12 DIN 933	2
7-2	031783	LOCKWASHER	M 6 DIN 127	2
8	037006	GEAR	INJECTION PUMP CAMSHAFT	1
9	036996	GEAR	SEA WATER PUMP DRIVE	1
10	036948	BEARING	BALL	1
11	030280	SNAPRING	20	1
12	036978	SPACER		1
13	037025	GEAR	IDLER	1
14	036995	GEAR	CAMSHAFT	1
15	036948	BEARING	BALL	1
16	030274	KEY	WOODRUFF	1
17	036972	CAMSHAFT		1
18	018242	NUT	M 8 DIN 934	4
19	031786	LOCKWASHER	M 8 DIN 127	4
20	031787	WASHER	M 8 DIN 125	4
21	031281	STUD	M 8 X 40 DIN 939	3
22	015828	STUD	M 8 X 22 DIN 939	1
23	033636	PUMP	SEA WATER	1
24	030326	GASKET	SEA WATER PUMP MOUNTING	1
25-1	013630	CAPSCREW	M 8 X 25 DIN 933	1
25-2	031786	LOCKWASHER	M 8 DIN 127	1
26	036946	HOUSING	BEARING	1
27	036982	GASKET	HOUSING	1
28	037019	GASKET	GEAR CASE	1
29	037086	CASE	GEAR	1
30	033126	CAP	OIL FILLER INCLUDING O-RING	1
31	033123	O-RING	OIL FILLER CAP	1
32	036968	CAP	SEALING	1
33	013340	ELBOW	1/8 NPT STREET	2
34	034761	SWITCH	OIL PRESSURE	1
35	024844	ADAPTER	1/8 BSPT TO 1/8 NPT	1
36	034397	CAPSCREW	M 6 X 65 DIN 931	1

WESTERBEKE 12C TWO - CAMSHAFT - TIMING SYSTEM

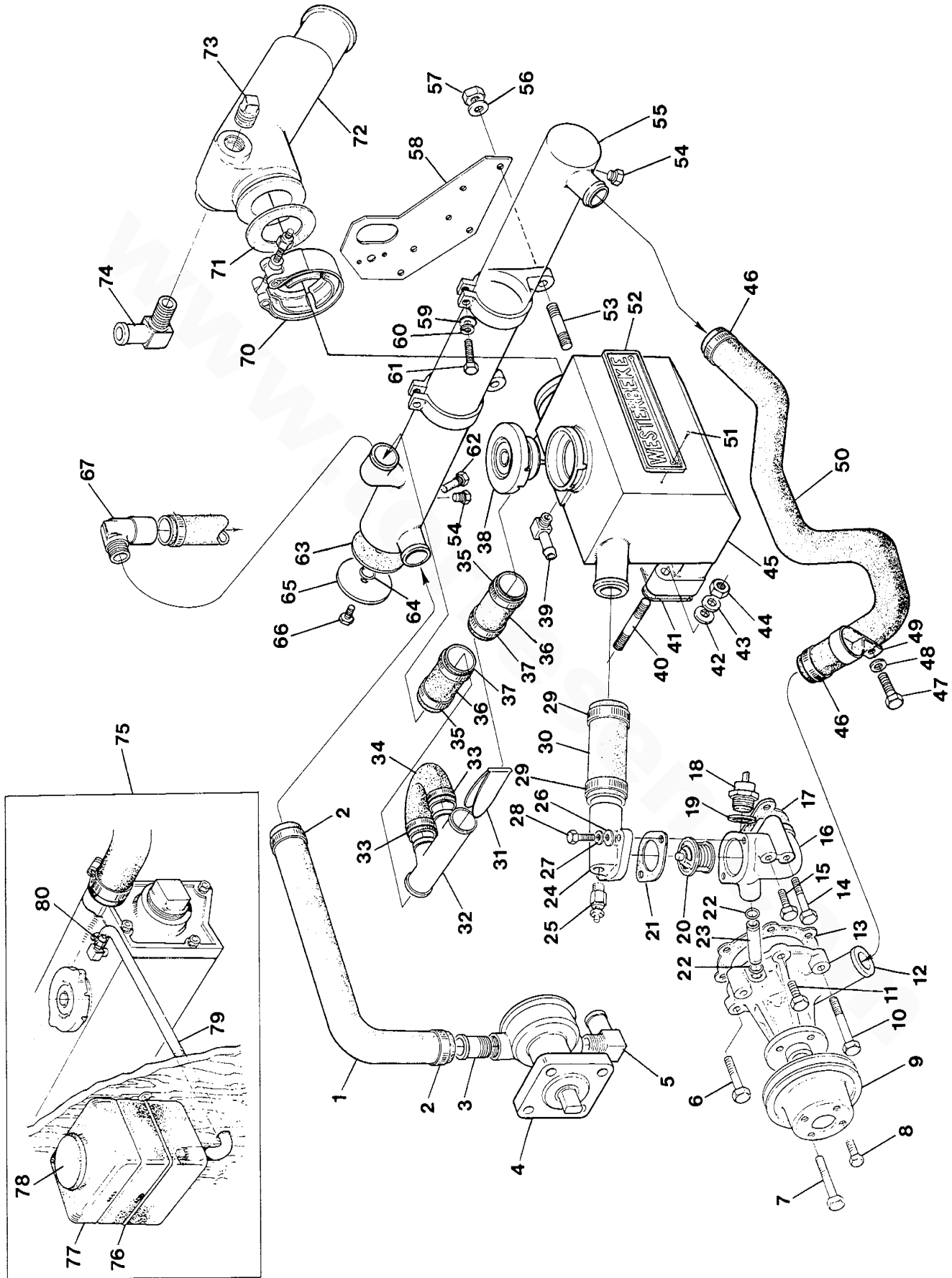


WESTERBEKE 12C TWO - CAMSHAFT - TIMING SYSTEM

REF	PN	NAME	REMARKS	QUAN
37	030244	PLUNGER	OIL RELIEF VALVE	1
38	037030	SPRING	OIL RELIEF VALVE	1
39	030225	GASKET	OIL RELIEF VALVE PLUG	1
40	030461	PLUG	OIL RELIEF VALVE	1
41-1	011615	PLUG	1/8 NPT	1
41-2	024132	SENDER	OIL PRESSURE-OPTIONAL ADMIRAL PANEL	1
42	036915	SEAL	OIL	1
43	030146	CAPSCREW	M 6 X 55 DIN 931	4
44	031824	CAPSCREW	M 6 X 35 DIN 933	3
45	030712	PLUG	1/4 BSPT DIN 906	1
46-1	031810	CAPSCREW	M 6 X 14 DIN 933	4
46-2	031783	LOCKWASHER	M 6 DIN 127	4
47	036938	O-RING		2
48	037050	GEAR	OIL PUMP INNER	1
49	037051	GEAR	OIL PUMP OUTER	1
50	037070	HOUSING	OIL PUMP	1
51-1	013590	CAPSCREW	M 6 X 30 DIN 933	3
51-2	031783	LOCKWASHER	M 6 DIN 127	3
52	037508	ADAPTER	1/8 BSPT TO 1/8 NPT	1



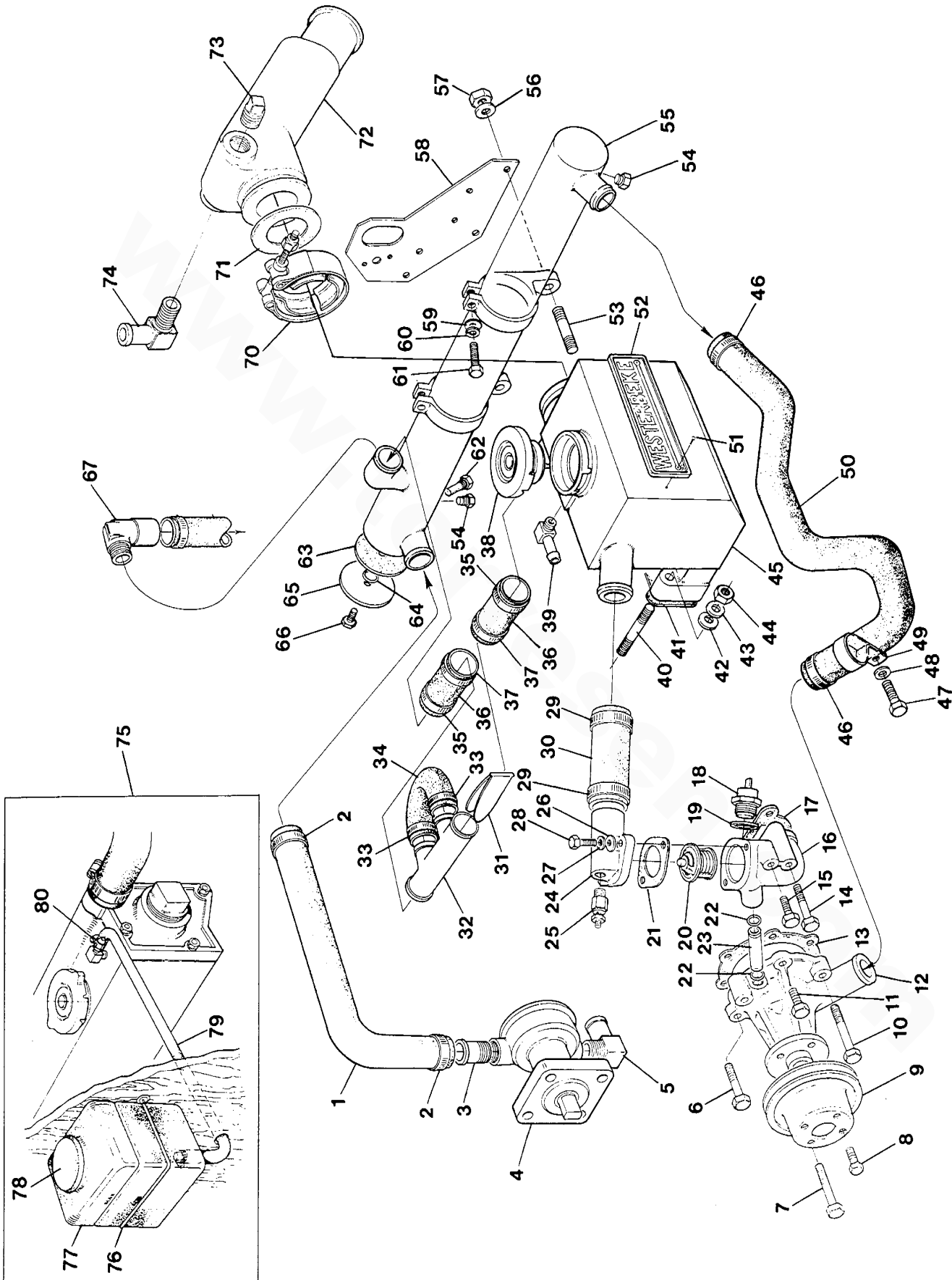
WESTERBEKE 12C TWO - COOLING SYSTEM



## WESTERBEKE 12C TWO - COOLING SYSTEM

REF	PN	NAME	REMARKS	QUAN
1	037157	HOSE	SEA WATER PUMP TO EXCHANGER	1
2	011386	CLAMP	HOSE 12	2
3	034712	NIPPLE	3/8 NPT TO 7/8" HOSE	1
4	033636	PUMP	SEA WATER	1
5	036612	ELBOW	3/8 NPT TO 1" HOSE	1
6	031824	CAPSCREW	M 6 X 35 DIN 933	1
7	034642	CAPSCREW	M 6 X 45 DIN 931	1
8-1	031825	CAPSCREW	M 6 X 12 DIN 933	4
8-2	031783	LOCKWASHER	M 6 DIN 127	4
9	030386	PULLEY	FRESH WATER PUMP	1
10	030146	CAPSCREW	M 6 X 55 DIN 931	2
11	018804	CAPSCREW	M 6 X 20 DIN 933	2
12	037015	PUMP	FRESH WATER	1
13	036957	GASKET	FRESH WATER PUMP	1
14	033351	CAPSCREW	M 6 X 60 DIN 931	1
15	018804	CAPSCREW	M 6 X 20 DIN 933	2
16	037057	HOUSING	THERMOSTAT LOWER	1
17	037016	GASKET	THERMOSTAT HOUSING LOWER	1
18	037493	SWITCH	WATER TEMPERATURE INCLUDING GASKET	1
19	037162	GASKET	WATER TEMPERATURE SWITCH	1
20	037043	THERMOSTAT		1
21	036956	GASKET	THERMOSTAT	1
22	036937	O-RING		2
23	036947	LINE	THERMOSTAT BYPASS	1
24	036228	HOUSING	THERMOSTAT	1
25-1	019369	PLUG	1/8 NPT HEX HEAD BRASS	1
25-2	035109	SENDER	WATER TEMPERATURE-OPTIONAL ADMIRAL PANEL	1
25-3	037453	BUSHING	1/4 NPT TO 1/8 NPT	1
26	031784	WASHER	M 6 DIN 125	2
27	031783	LOCKWASHER	M 6 DIN 127	2
28	018804	CAPSCREW	M 6 X 20 DIN 933	2
29	011405	CLAMP	HOSE 16	2
30	037383	HOSE	THERMOSTAT TO MANIFOLD	1
31	030165	SPRING	FLOWCONTROL	1
32	037152	HOUSING	FLOWCONTROL 3/4" HOSE CONNECTION	1
33	011386	CLAMP	HOSE 12	2
34	036654	HOSE	RETURNBEND 3/4-WHEN HEATER NOT INSTALLED	1
35	011405	CLAMP	HOSE 16	2
36	036556	HOSE	FLOWCONTROL	2
37	021878	CLAMP	HOSE 20	2
38	024306	CAP	PRESSURE	1
39	024907	ELBOW	COOLANT RECOVERY TANK CONNECTION	1
40	015830	STUD	M 8 X 25 DIN 939	4
41	036973	GASKET	MANIFOLD TO HEAD	1
42	031787	WASHER	M 8 DIN 125	4
43	031786	LOCKWASHER	M 8 DIN 127	4
44	018242	NUT	M 8 DIN 934	4
45	037311	MANIFOLD	EXHAUST	1

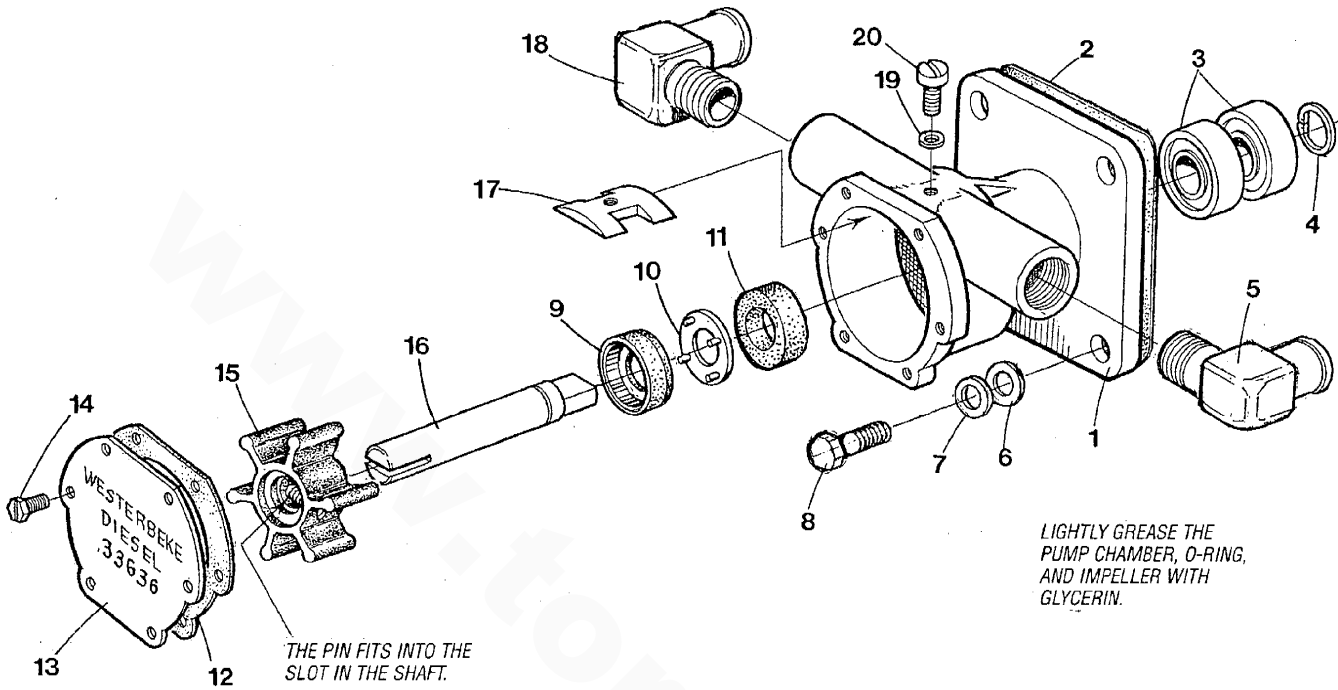
WESTERBEKE 12C TWO - COOLING SYSTEM



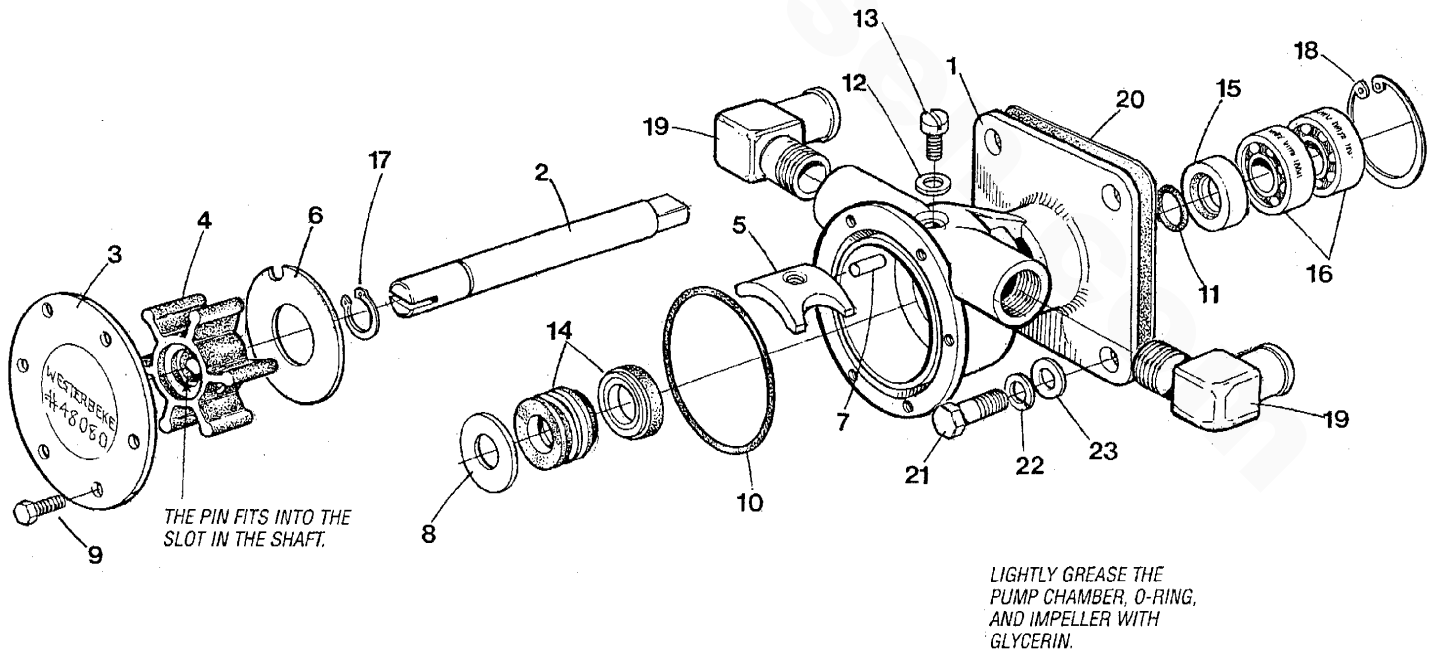
WESTERBEKE 12C TWO - COOLING SYSTEM

REF	PN	NAME	REMARKS	QUAN
46	011405	CLAMP	HOSE 16	2
47	031825	CAPSCREW	M 6 X 12 DIN 933	1
48-1	031783	LOCKWASHER	M 6 DIN 127	1
48-2	031784	WASHER	M 6 DIN 125	1
49	013741	CLAMP	SUPPORT HOSE	1
50	037506	HOSE	EXCHANGER TO PUMP	1
51	031935	SCREW	8-32 X 1/4 SS OVAL HEAD	2
52	036809	NAMEPLATE		1
53-1	015830	STUD	M 8 X 25 DIN 939	1
53-2	015831	STUD	M 8 X 32 DIN 939	1
54	019369	PLUG	1/8 NPT HEX HEAD BRASS	2
55	037587	EXCHANGER	HEAT	1
56	031786	LOCKWASHER	M 8 DIN 127	2
57	018242	NUT	M 8 DIN 934	2
58-1	038045	BRACKET	FUEL FILTER WITH 34682 BELLHOUSING	1
58-2	039937	BRACKET	FUEL FILTER WITH 39813 BELLHOUSING	1
59	031753	WASHER	FLAT 1/4	2
60	031752	LOCKWASHER	1/4	2
61	031506	CAPSCREW	1/4NC X 1-1/4	2
62	011885	ZINC		1
63	033298	GASKET	EXCHANGER END COVER	1
64	019321	O-RING		1
65	033297	COVER	EXCHANGER END	1
66	033402	CAPSCREW	5/16NC X 1/2 BRASS	1
67	036614	ELBOW	3/4 NPT TO 1" HOSE	1
70	036541	CLAMP	EXHAUST ELBOW TO MANIFOLD	1
71	036425	GASKET	EXHAUST ELBOW TO MANIFOLD	1
72-1	037401	ELBOW KIT	WATER INJECTED EXHAUST 90 DEG INCL 70-74	1
72-2	037402	ELBOW KIT	WATER INJECTED EXHAUST 45 DEG INCL 70-74	1
73-1	036849	PLUG	3/4 NPT ELBOW KIT 037401	1
73-2	035747	PLUG	1/2 NPT ELBOW KIT 37402	1
74-1	036614	ELBOW	3/4 NPT TO 1" HOSE ELBOW KIT 37401	1
74-4	036616	ELBOW	1/2 NPT TO 1" HOSE ELBOW KIT 37402	1
75	024977	KIT	COOLANT RECOVERY TANK	1
76	024786	STRAP	COOLANT RECOVERY TANK MOUNTING	1
77	024704	TANK	COOLANT RECOVERY	1
78	024858	CAP	COOLANT RECOVERY TANK	1
79	024637	TUBING	INCHES REQUIRED	60
80	024906	CLAMP	HOSE	2

### RAW WATER PUMP



### RAW WATER PUMP (from March 2004)



REV 3 05



## RAW WATER PUMP

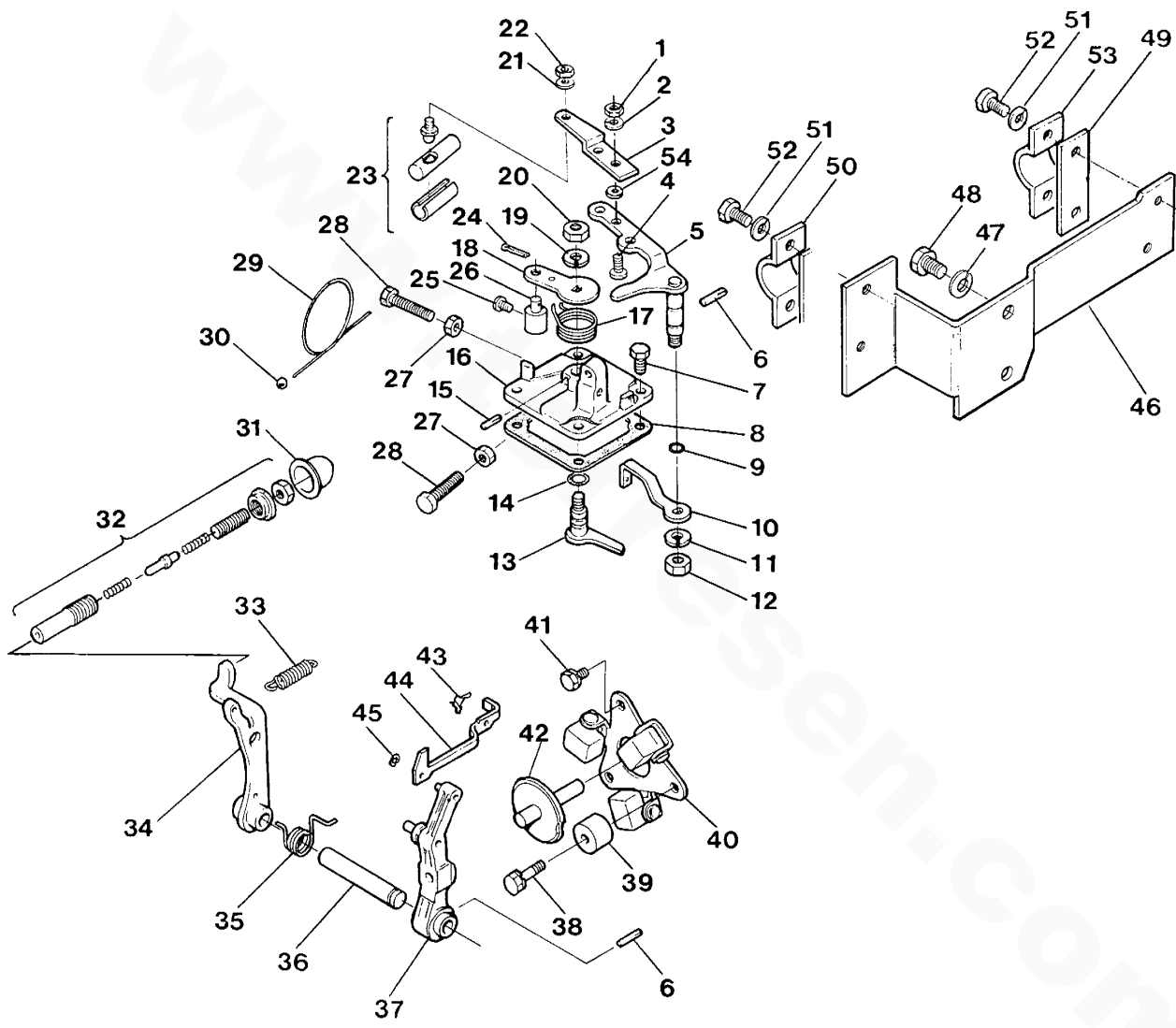
Reference #	Part #	Part Name	Quantity
1-1	033636	RAW WATER PUMP (NLA)	1
1-2	034457	HOUSING	1
1-3	034466	PUMP KIT	1
2	030326	GASKET	1
3	034464	BEARING	2
4	033044	RETAINING RING	1
5	034710	ELBOW 3/8NPT TO 7/8 HOSE (NOT INCL. W/PUMP)	1
6	031787	WASHER M8 DIN 125	4
7	031786	LOCKWASHER M8 DIN 127	4
8	017196	CAPSCREW M8 X 20 DIN 933	4
9	048013	SEAL	1
10	038678	SPACER	1
11	033043	OIL SEAL	1
12	034459	GASKET	1
13	034461	COVER	1
14	034463	SCREW	6
15	034440	IMPELLER - SCREW-GASKET KIT	1
16	034460	SHAFT	1
17	034458	CAM	1
18	036612	ELBOW 3/8NPT TO 1" HOSE (NOT INCL. W/PUMP)	1
19	033037	WASHER	1
20	034462	SCREW	1

## RAW WATER PUMP (from March 2004)

Reference #	Part #	Part Name	Quantity
1	048080	RAW WATER PUMP	1
2	049172	SHAFT	1
3	049170	IMPELLER COVER	1
4	048500	IMPELLER KIT (O-RING & GLYCERIN)	1
5	034458	CAM	1
6	049171	WEAR PLATE	1
7	0302575	DOWEL	1
8	048253	SPRING SEAL WASHER	1
9	034463	IMPELLER COVER SCREW	6
10	048359	IMPELLER COVER O-RING	1
11	033041	O-RING	1
12	033037	CAM WASHER	1
13	046662	CAM SCREW	1
14	048254	SPRING SEAL	1
15	049169	LIP SEAL	1
16	034464	BALL BEARING	2
17	033045	RETAINING INTERNAL RING	1
18	033044	RETAINING EXTERNAL RING	1
19	034710	ELBOW 3/8" NPT TP 7/8" HOSE	1
	036612	ELBOW 3/8" NPT TO 1" HOSE	1
20	030326	MOUNTING GASKET	1
	049000	PUMP REPAIR KIT (INCLUDES ALL COMPONENTS EXCEPT ITEMS 1,7, AND 19)	1
	037431	PUMP KIT (PUMP MOUNTING GASKET AND FITTINGS)	1



WESTERBEKE 12C TWO - GOVERNOR SYSTEM

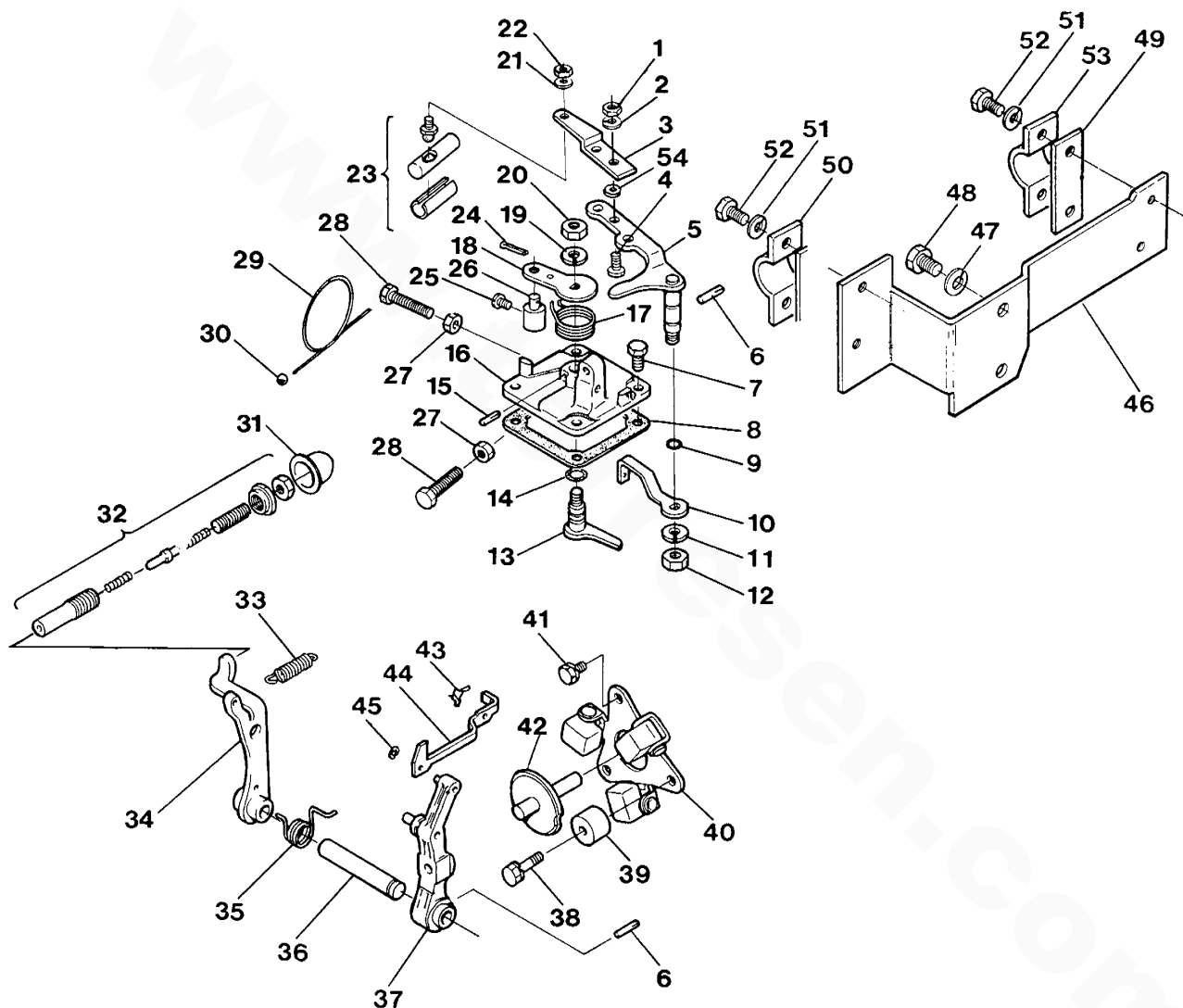


WESTERBEKE 12C TWO - GOVERNOR SYSTEM

REF	PN	NAME	REMARKS	QUAN
1	031847	NUT	10-32 HEX SS	2
2	031849	LOCKWASHER	10 SS	2
3	036847	LEVER	THROTTLE EXTENSION	1
4	031872	SCREW	10-32 X 1/2 SS BH	2
5	037090	LEVER	THROTTLE	1
6	036942	PIN	GROOVED	2
7	031825	CAPSCREW	M 6 X 12 DIN 933	4
8	037024	GASKET	GOVERNOR COVER	1
9	030277	O-RING		1
10	036989	LEVER	GOVERNOR SPRING	1
11	031786	LOCKWASHER	M 8 DIN 127	1
12	031802	NUT	M 8 JAM	1
13		LEVER	STOP SEE REF 16	1
14	030277	O-RING		1
15		PIN	GROOVED SEE REF 16	1
16	037602	COVER	ASSEMBLY-GOVERNOR INCL REF 13 THRU 20	1
17		SPRING	RETURN SEE REF 16	1
18	036725	LEVER	STOP	1
19	031786	LOCKWASHER	M 8 DIN 127	1
20	031802	NUT	M 8 JAM	1
21	031849	LOCKWASHER	10 SS	1
22	031847	NUT	10-32 HEX SS	1
23	019364	BALLJOINT	THROTTLE CABLE	1
24	011796	COTTER PIN		1
25	031870	SCREW	10-32 X 1/4 SS BH	1
26	019370	PIVOT		1
27	015812	NUT	M 6 DIN 934	2
28	030323	SCREW	SPEED SET	2
29	030293	WIRE	LOCK ADJUSTING SCREW	1
30	030292	SEAL	LEAD	1
31	037044	CAP	TORQUE SET SEALING	1
32	037089	SPRING SET	TORQUE	1
33	037048	SPRING	GOVERNOR	1
34	037079	LEVER	TENSION	1
35	037081	SPRING	START	1
36	037080	SHAFT	GOVERNOR	1
37	037078	LEVER	GOVERNOR	1



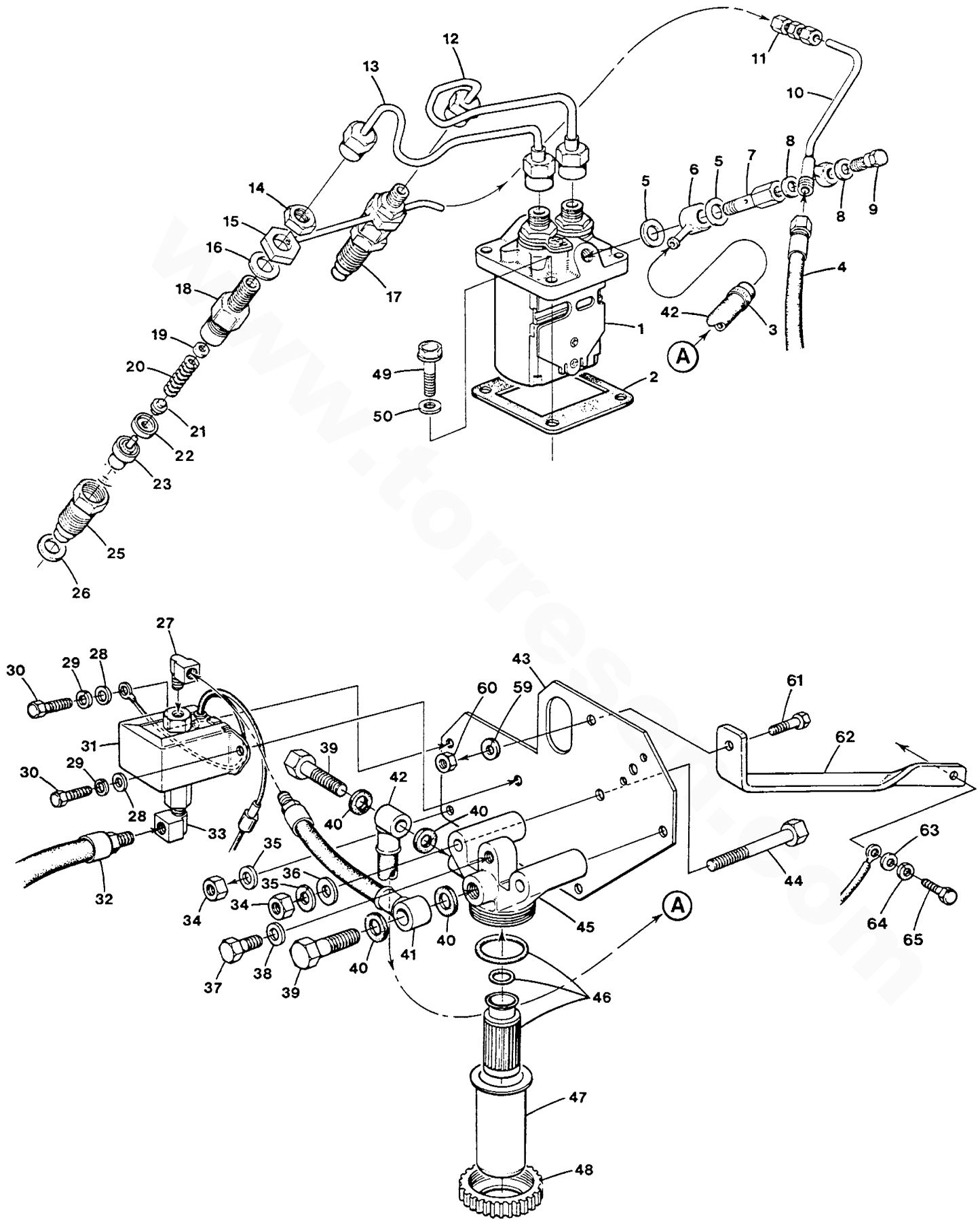
WESTERBEKE 12C TWO - GOVERNOR SYSTEM



WESTERBEKE 120 TWO - GOVERNOR SYSTEM

REF	PN	NAME	REMARKS	QUAN
38-1	020628	CAPSCREW	M 6 X 25 DIN 933	1
38-2	031783	LOCKWASHER	M 6 DIN 127	1
39	033200	STOPPER	GOVERNOR	1
40	030449	WEIGHT	ASSEMBLY-GOVERNOR	1
41-1	015816	CAPSCREW	M 6 X 10 DIN 933	2
41-2	031783	LOCKWASHER	M 6 DIN 127	2
42	036941	SHAFT	GOVERNOR SLIDING	1
43	037022	CLIP	TIE ROD	1
44	037021	ROD	TIE	1
45	036939	SNAPRING		1
46	036845	BRACKET	THROTTLE CABLE	1
47	031783	LOCKWASHER	M 6 DIN 127	2
48	031810	CAPSCREW	M 6 X 14 DIN 933	2
49	013870	SHIM	CLAMP	1
50	013871	CLAMP	CABLE	1
51	031849	LOCKWASHER	10 SS	4
52	031873	SCREW	10-32 X 5/8 SS BH	4
53	013325	CLAMP	CABLE	1
54	037502	BUSHING	THROTTLE LEVER SCREW	2

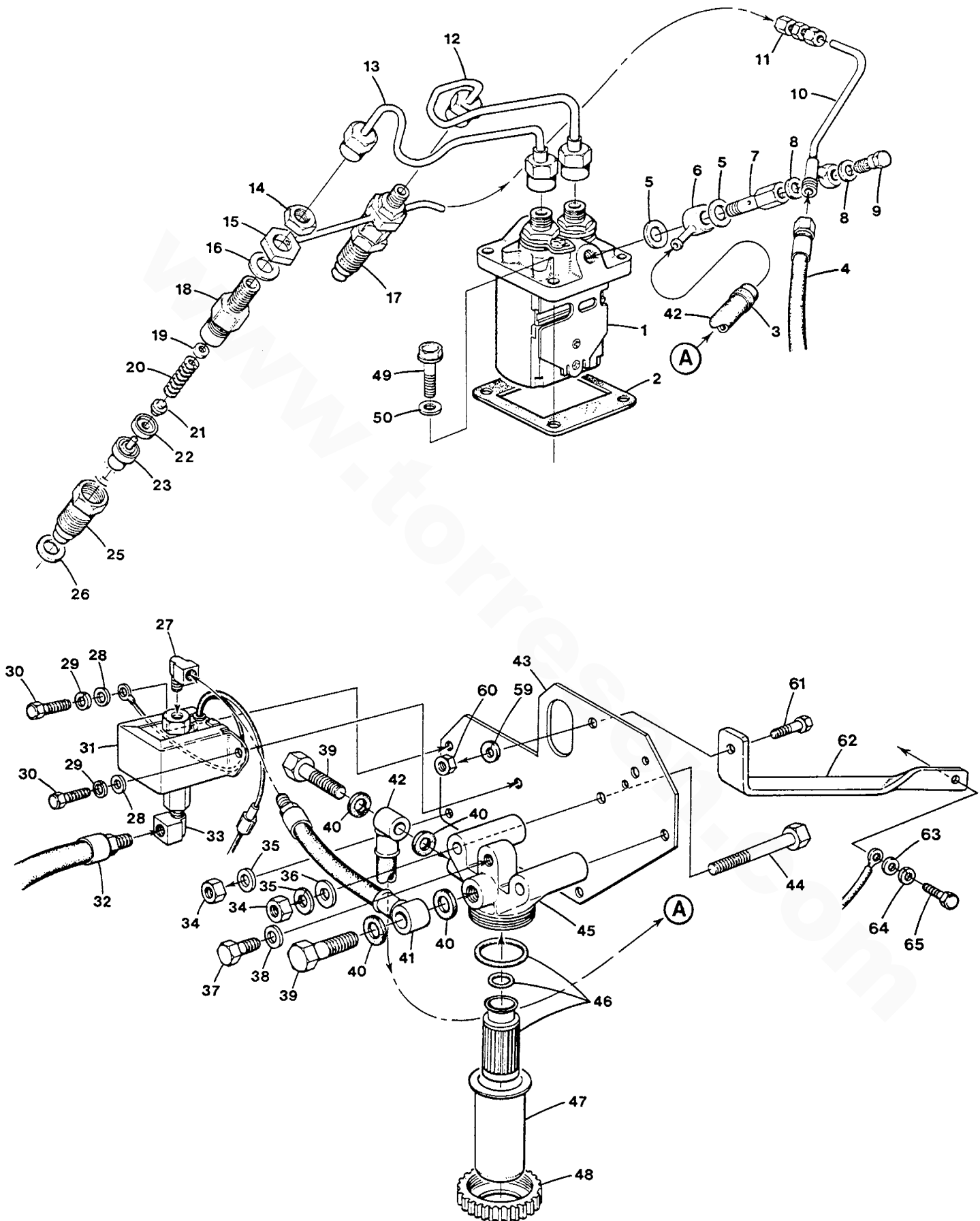
WESTERBEKE 12C TWO - FUEL SYSTEM



WESTERBEKE 12C TWO - FUEL SYSTEM

REF	PN	NAME	REMARKS	QUAN
1	037102	PUMP	FUEL INJECTION	1
2-1	036974	SHIM	ADJUSTING 0.2 MM	AR
2-2	036975	SHIM	ADJUSTING 0.3 MM	AR
2-3	037033	SHIM	ADJUSTING 0.4 MM	AR
2-4	036976	SHIM	ADJUSTING 0.5 MM	AR
2-5	037034	SHIM	ADJUSTING 0.6 MM	AR
2-6	037035	SHIM	ADJUSTING 0.7 MM	AR
2-7	037036	SHIM	ADJUSTING 0.8 MM	AR
2-8	037037	SHIM	ADJUSTING 0.9 MM	AR
2-9	037038	SHIM	ADJUSTING 1.0 MM	AR
3	024906	CLAMP	HOSE	1
4	034857	HOSE	FUEL RETURN	1
5	037105	WASHER	BANJO	2
6	038402	BANJO	INJECTION PUMP	1
7	038399	BOLT	BANJO	1
8	030289	WASHER	BANJO M 8	2
9	016988	BOLT	BANJO M 8	1
10	038432	LINE	INJECTOR RETURN TO PUMP	1
11-1	024600	UNION	COMPRESSION INCLUDING NUTS AND FERRULES	1
11-2	013344	NUT	COMPRESSION	2
11-3	013343	FERRULE	COMPRESSION	2
12	036951	LINE	INJECTOR 1	1
13	036952	LINE	INJECTOR 2	1
14	036921	NUT	INJECTOR	2
15	037098	LINE	INJECTOR RETURN	1
16	036922	GASKET	INJECTOR RETURN	2
17	037091	INJECTOR	INCLUDING REF 18 THRU 25	2
18	037112	HOLDER	INJECTOR	1
19- 1	036925	SHIM	INJECTOR 1.25	AR
19- 2	036926	SHIM	INJECTOR 1.30	AR
19- 3	036927	SHIM	INJECTOR 1.35	AR
19- 4	036929	SHIM	INJECTOR 1.45	AR
19- 6	036930	SHIM	INJECTOR 1.50	AR
19- 7	036931	SHIM	INJECTOR 1.55	AR
19- 8	036932	SHIM	INJECTOR 1.60	AR
19- 9	036933	SHIM	INJECTOR 1.65	AR
19-10	036934	SHIM	INJECTOR 1.70	AR
20	037106	SPRING	INJECTOR	1
21	037107	PIN	INJECTOR SPRING	1
22	037108	SPACER	INJECTOR	1
23	036935	NOZZLE	INJECTOR	1
25	037109	NUT	INJECTOR NOZZLE	1
26	036923	GASKET	INJECTOR	2

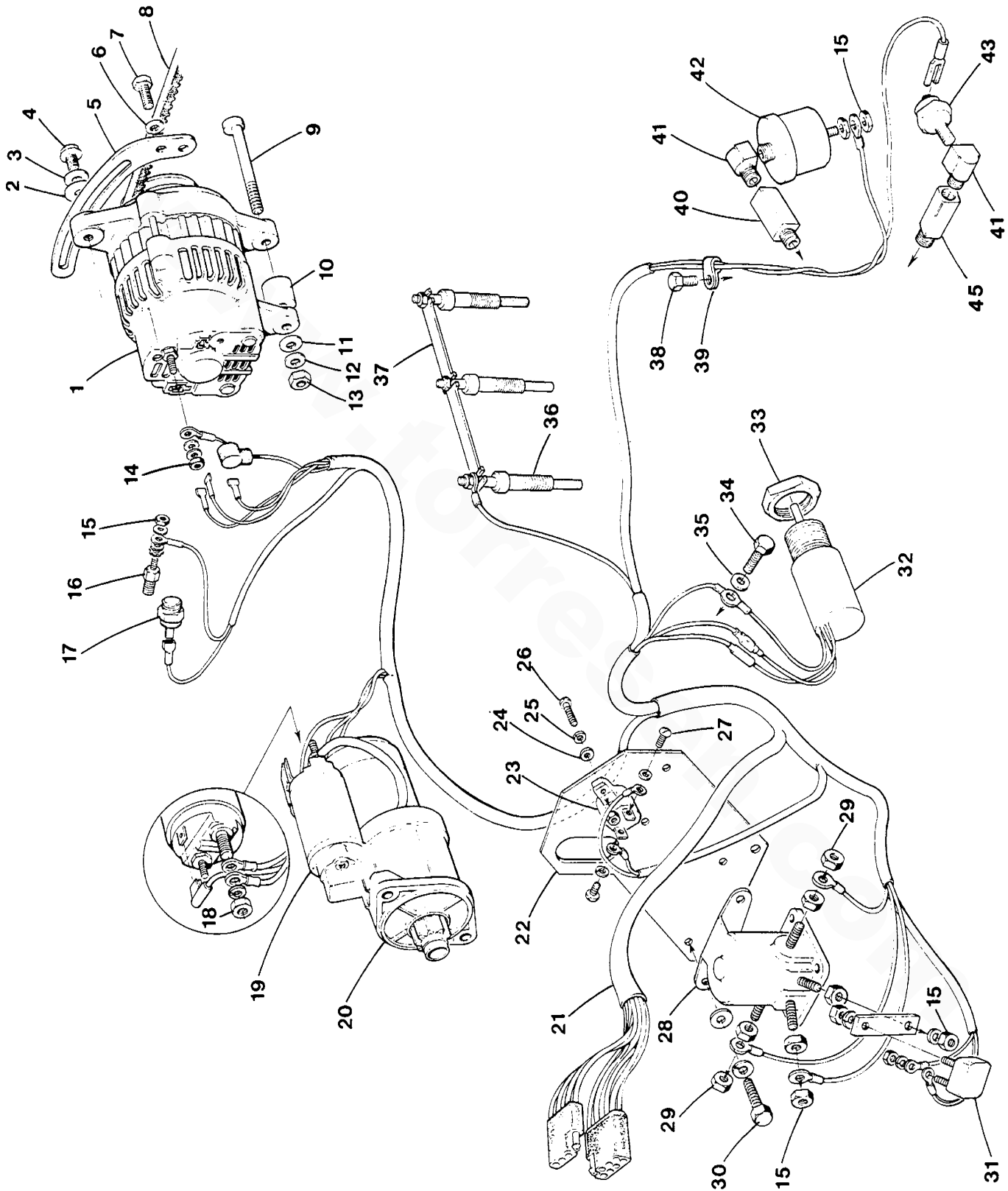
WESTERBEKE 12C TWO - FUEL SYSTEM



WESTERBEKE 12C TWO - FUEL SYSTEM

REF	PN	NAME	REMARKS	QUAN
27	022513	ELBOW	HOSE TO PUMP INCLUDED IN REF 41	1
28	031784	WASHER	M 6 DIN 125	2
29	031783	LOCKWASHER	M 6 DIN 127	2
30	031825	CAPSCREW	M 6 X 12 DIN 933	2
31	039275	PUMP	FUEL LIFT 12 VDC	1
32	030025	HOSE	FUEL SUPPLY 1/8 NPT	1
33	013340	ELBOW	1/8 NPT STREET	1
34	018242	NUT	M 8 DIN 934	4
35	031786	LOCKWASHER	M 8 DIN 127	4
36	031787	WASHER	M 8 DIN 125	2
37	030213	SCREW	BLEED	1
38	030289	WASHER		1
39	024984	BOLT	BANJO	2
40	030291	WASHER	BANJO M14	4
41	038047	HOSE	LIFT PUMP TO FILTER	1
42	036865	HOSE	FILTER TO INJECTION PUMP	1
43-1	038045	BRACKET	FUEL FILTER WITH 34682 BELLHOUSING	1
43-2	039937	BRACKET	FUEL FILTER WITH 39813 BELLHOUSING	1
44	031225	CAPSCREW	M 8 X 60 DIN 931	2
45-1	030210	FILTER	FUEL ASSEMBLY INCL REF 37,38,45,46,47,48	1
45-2	030211	BODY	FUEL FILTER	1
46	030200	ELEMENT	FUEL FILTER INCLUDING O-RINGS	1
47	030199	CUP	FUEL FILTER	1
48	030212	RETAINER	FUEL FILTER CUP	1
49	018804	CAPSCREW	M 6 X 20 DIN 933	4
50	031783	LOCKWASHER	M 6 DIN 127	4
59	031786	LOCKWASHER	M 8 DIN 127	1
60	018242	NUT	M 8 DIN 934	1
61	017196	CAPSCREW	M 8 X 20 DIN 933	1
62	039766	SUPPORT	FILTER BRACKET	1
63	031787	WASHER	M 8 DIN 125	1
64	031786	LOCKWASHER	M 8 DIN 127	1
65	013630	CAPSCREW	M 8 X 25 DIN 933	1

WESTERBEKE 12C TWO - ELECTRICAL SYSTEM

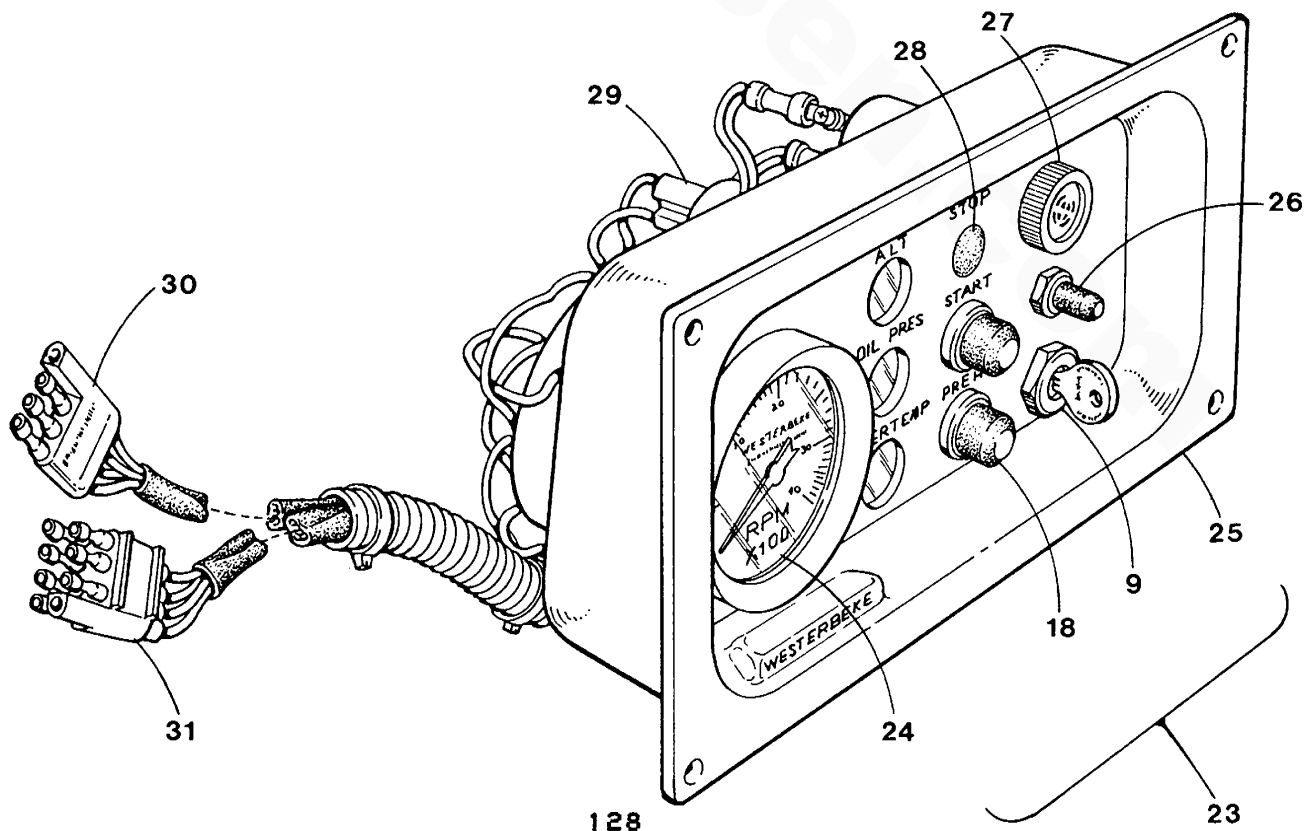
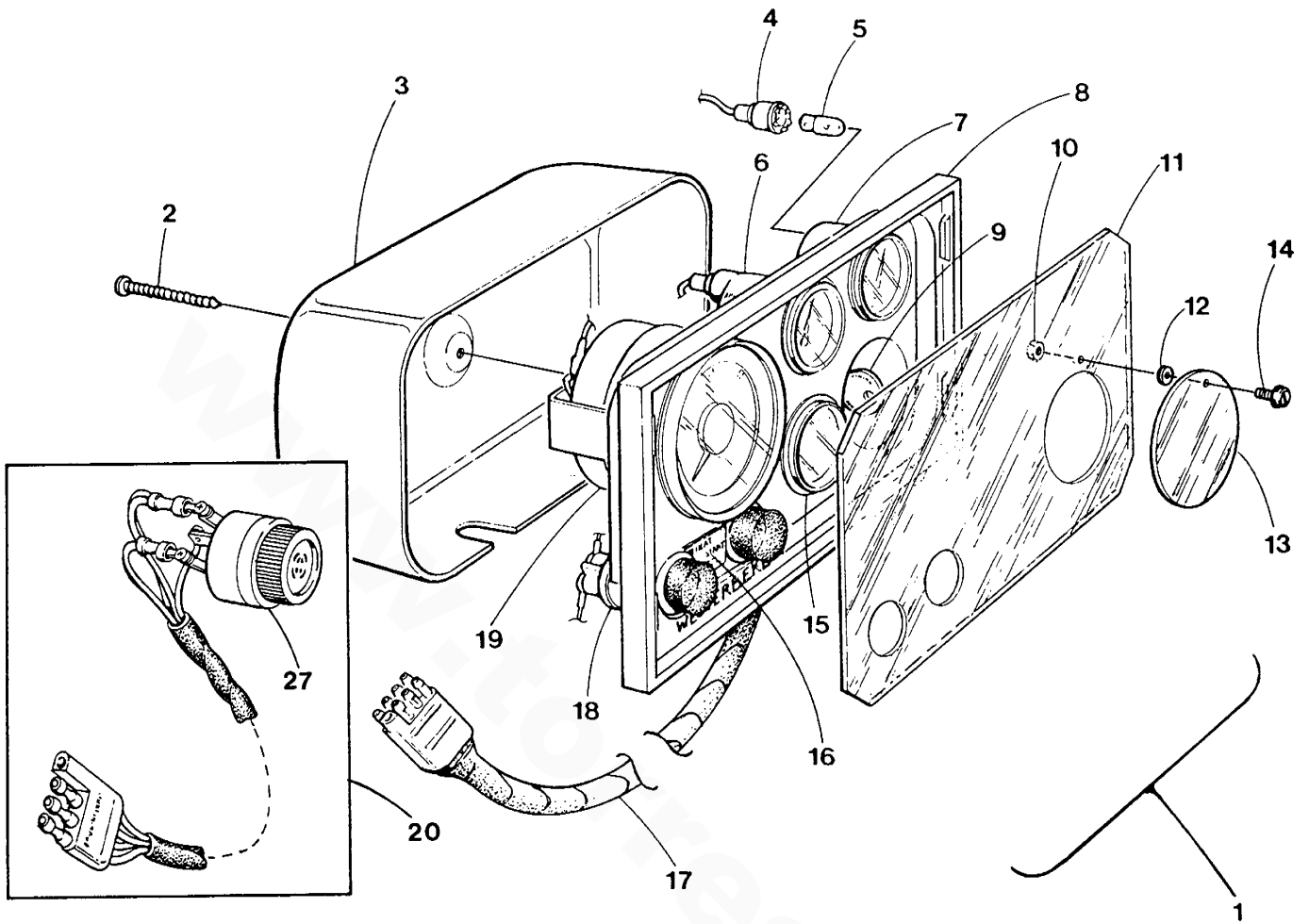


WESTERBEKE 12C TWO - ELECTRICAL SYSTEM

REF	PN	NAME	REMARKS	QUAN
1	030594	ALTERNATOR	12VDC 50A	1
2	033381	WASHER	ADJUSTING STRAP	1
3	031786	LOCKWASHER	M 8 DIN 127	1
4	013630	CAPSCREW	M 8 X 25 DIN 933	1
5	037342	STRAP	ADJUSTING	1
6	031783	LOCKWASHER	M 6 DIN 127	1
7	031810	CAPSCREW	M 6 X 14 DIN 933	1
8	038527	BELT		1
9	032015	BOLT	ALTERNATOR	1
10-1	037343	SPACER	ALTERNATOR	1
10-2	030234	SHIM	ALTERNATOR	AR
11	031787	WASHER	M 8 DIN 125	1
12	031786	LOCKWASHER	M 8 DIN 127	1
13	018242	NUT	M 8 DIN 934	1
14	018241	NUT	M 5 DIN 934	1
15	031847	NUT	10-32 HEX SS	AR
16	035109	SENDER	WATER TEMPERATURE-OPTIONAL ADMIRAL PANEL	1
17-1	037493	SWITCH	WATER TEMPERATURE INCLUDING GASKET	1
17-2	037162	GASKET	WATER TEMPERATURE SWITCH	1
18	018242	NUT	M 8 DIN 934	AR
19	036218	SOLENOID	STARTER MOTOR	1
20	034552	MOTOR	STARTER 12VDC 1.2KW	1
21	038116	HARNESS	ENGINE WIRING	1
22		BRACKET	FILTER & BREAKER-REFER TO FUEL PAGE	1
23	024683	BREAKER	CIRCUIT 20 AMP	1
24	031843	WASHER	FLAT 8 SS	2
25	031844	LOCKWASHER	8 SS	2
26	031866	SCREW	8-32 X 7/8 SS BH	2
27	031861	SCREW	8-32 X 1/4 SS BH	2
28	024639	SOLENOID	PRE-HEAT	1
29	031760	NUT	5/16NF	2
30-1	020628	CAPSCREW	M 6 X 25 DIN 933	2
30-2	031783	LOCKWASHER	M 6 DIN 127	2
31	036563	BREAKER	CIRCUIT ASSEMBLY 10 AMP	1
32-1	037100	SOLENOID	FUEL SHUT-OFF - OPTIONAL	1
32-2	036944	PLUG	M30 X 1.5 - WHEN SOLENOID NOT INSTALLED	1
33	034669	NUT	SOLENOID ADJUSTING/LOCKING	1
34	020650	CAPSCREW	M 8 X 18 DIN 933 HARNESS GROUND	1
35	031786	LOCKWASHER	M 8 DIN 127	1
36	036961	GLOWPLUG	12VDC	2
37	037040	STRAP	GLOWPLUG CONNECTING	1
38	018804	CAPSCREW	M 6 X 20 DIN 933	1
39	038074	CLAMP	HARNESS SUPPORT	3
40	024844	ADAPTER	1/8 BSPT TO 1/8 NPT-OIL PRESSURE SENDER	1
41	013340	ELBOW	1/8 NPT STREET 90	2
42	024132	SENDER	OIL PRESSURE-OPTIONAL ADMIRAL PANEL	1
43	037323	SWITCH	OIL PRESSURE 2 TERMINAL	1
44	034667	WASHER	SEALING	1
45	037508	ADAPTER	1/8 BSPT TO 1/8 NPT-OIL PRESSURE SWITCH	1
46	038906	RESISTOR	ASSEMBLY	1



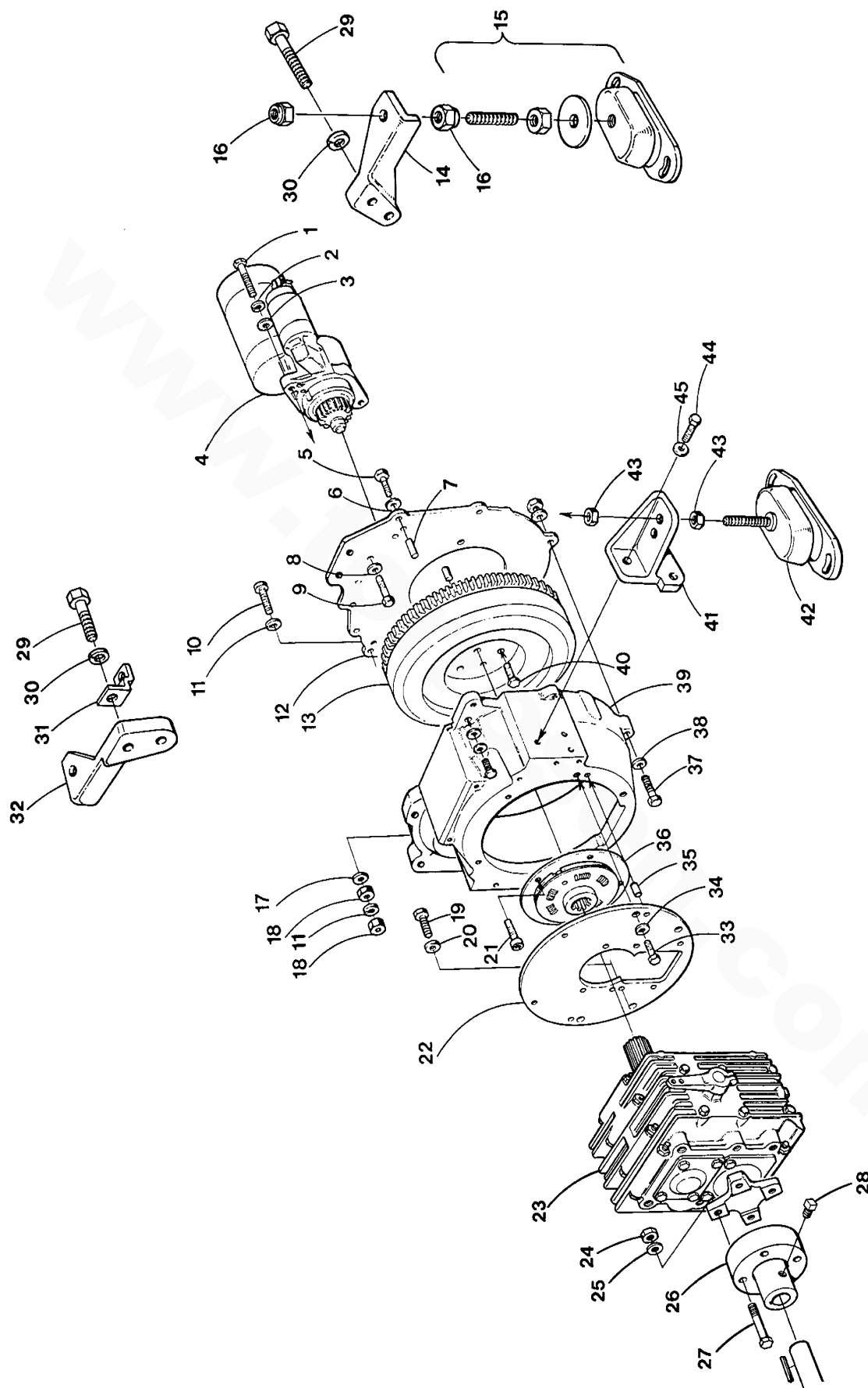
WESTERBEKE 12C TWO - INSTRUMENT PANELS



WESTERBEKE 12C TWO - INSTRUMENT PANELS

REF	PN	NAME	REMARKS	QUAN
1	036843	PANEL	ADMIRAL INCLUDING SENDERS AND ALARM	1
2	030913	SCREW		1
3	030119	COVER	PANEL REAR	1
4	035118	HOLDER	LAMP-WEDGE BASE	3
5	035114	LAMP	INSTRUMENT 12VDC WEDGE BASE	3
6	037601	METER	WATER TEMPERATURE	1
7	037603	METER	OIL PRESSURE 100PSI	1
8	033865	PANEL	PLATE	1
9	033693	KEYSWITCH	OFF-ON	1
10	030003	NUT	NYLON LOCKING 6-32	1
11	033684	COVER	FACEPLATE	1
12	030002	SPACER	NYLON	1
13	024996	WINDOW	KEYSWITCH COVER	1
14	030001	SCREW	NYLON 6-32 X 1/2 WASHER HEAD	1
15	037605	VOLTMETER	12VDC	1
16	033682	DECAL	SWITCH IDENTIFICATION	1
17	030148	CABLE	PANEL TO ENGINE - 8 PIN	1
18-1	033764	SWITCH	PUSHBUTTON - START/PREHEAT	2
18-2	019031	CAP	SWITCH COVER REPLACEMENT	2
19	011917	METER	TACHOMETER-HOUR	1
20	035825	WIRE	POWER TO METER LAMPS	3
21	036829	ALARM	ASSEMBLY	1
23	036473	PANEL	CAPTAIN	1
24	036590	METER	TACHOMETER	1
25	036043	PANEL	PLATE	1
26-1	036479	SWITCH	TEST	1
26-2	036490	CAP	SWITCH	1
27	013355	BUZZER	ALARM	1
28	030946	PLUG	NYLON	1
29-1	024947	LAMP	12VDC	3
29-2	036483	HOLDER	LAMP	3
30	036626	HARNESS	PANEL TO ENGINE - 4 PIN	1
31	036627	HARNESS	PANEL TO ENGINE - 8 PIN	1
32	036477	ASSEMBLY	TERMINAL-DIODE	1
33	036544	SPACER	TERMINAL-DIODE ASSEMBLY	2
34	036545	SCREW	6-32 X 3/4 TAPPING SS	2
35	039144	DIAGRAM	WIRING	1
36	036630	DRAWING	TEMPLATE TO INSTALL EITHER PANEL	1

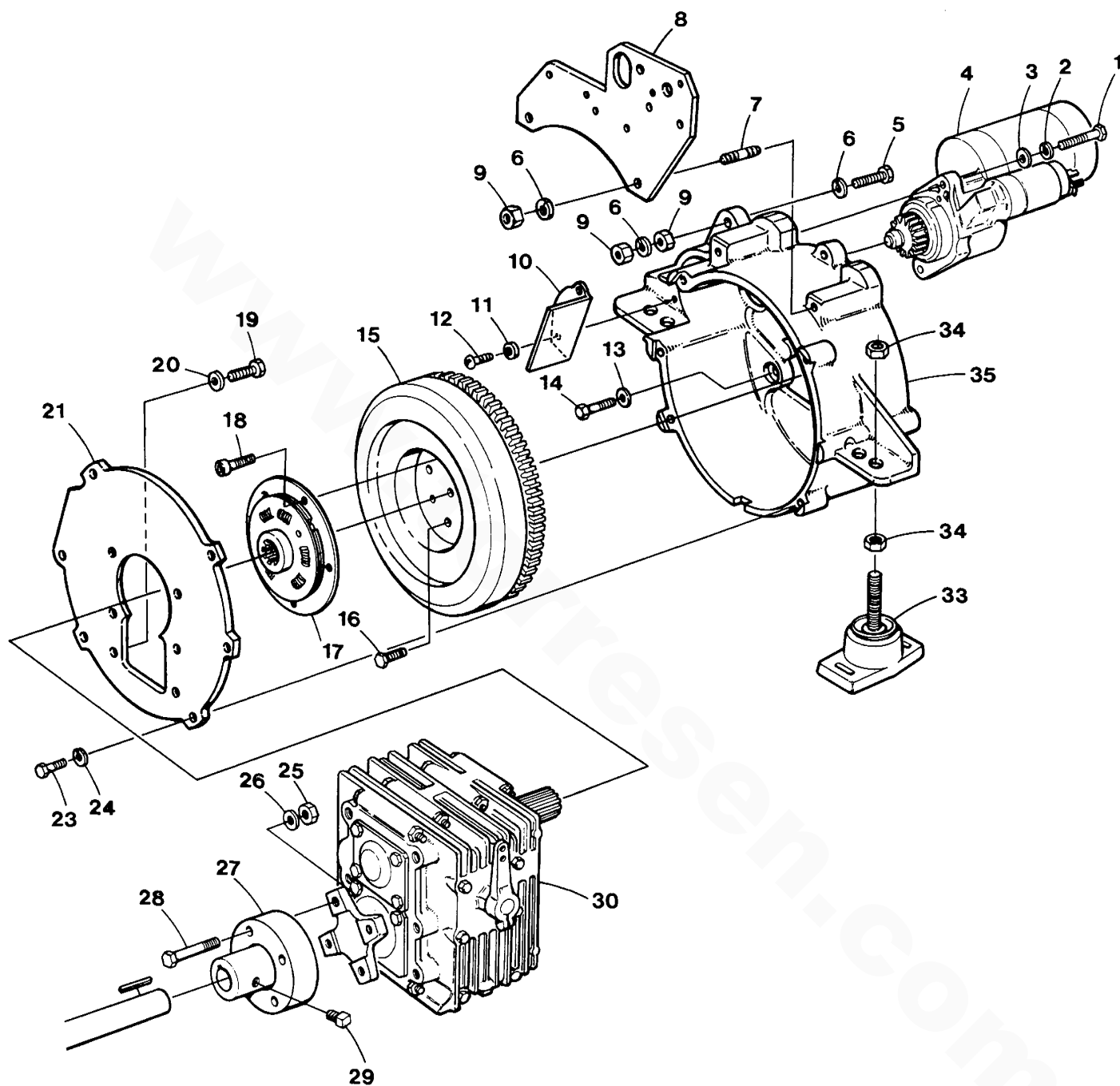
WESTERBEKE 12C TWO - BACK END TO DECEMBER 1993



## WESTERBEKE 12C TWO - BACK END TO DECEMBER 1993

REF	PN	NAME	REMARKS	QUAN
1	034589	CAPSCREW	M10 X 30 DIN 933	2
2	019262	LOCKWASHER	M10 DIN 127	2
3	031789	WASHER	M10 DIN 125	2
4	034552	MOTOR	STARTER 12VDC	1
5	034589	CAPSCREW	M10 X 30 DIN 933	4
6	019262	LOCKWASHER	M10 DIN 127	4
7	013919	DOWEL	HOUSING TO BACKPLATE	2
8	019262	LOCKWASHER	M10 DIN 127	6
9	024952	CAPSCREW	M10 X 1.25 X 25 DIN 933	6
10	034833	CAPSCREW	M10 X 60 DIN 912 FULLY THREADED	1
11	019262	LOCKWASHER	M10 DIN 127	2
12	036051	PLATE	BACK	1
13-1	036554	FLYWHEEL	ASSEMBLY INCLUDING RING GEAR	1
13-2	032996	GEAR	RING	1
14	036810	MOUNT	FRONT LEFT	1
15	040621	ISOLATOR	ASSEMBLY INCLUDING LOCKNUTS	2
16	037353	NUT	M12 DIN 985	4
17	031789	WASHER	M10 DIN 125	1
18	015887	NUT	M10 DIN 934	2
19	020650	CAPSCREW	M 8 X 18 DIN 933	6
20	031786	LOCKWASHER	M 8 DIN 127	6
21	024778	CAPSCREW	DAMPER TO FLYWHEEL	5
22	031267	ADAPTER	TRANSMISSION TO HOUSING	1
23	039535	GEAR	HBW35 2:1	1
24	024950	NUT	M10 X 1.25 DIN 934	4
25	019262	LOCKWASHER	M10 DIN 127	4
26-1	023706	COUPLING	0.75 IN BORE	1
26-2	023707	COUPLING	0.875 IN BORE	1
26-3	023708	COUPLING	1.0 IN BORE	1
26-4	023709	COUPLING	1.125 IN BORE	1
26-5	023710	COUPLING	1.25 IN BORE	1
26-6	023711	COUPLING	1.375 IN BORE	1
26-7	023712	COUPLING	1.5 IN BORE	1
27	031228	CAPSCREW	M10 X 1.25 X 30 DIN 961	4
28	023652	SETSCREW	COUPLING 3/8NC X 1	2
29	024953	CAPSCREW	M10 X 1.25 X 35 DIN 961	4
30	019262	LOCKWASHER	M10 DIN 127	4
31	024922	BRACKET	SUMP DRAIN HOSE	1
32	036812	MOUNT	FRONT RIGHT	1
33	013629	CAPSCREW	M10 X 25 DIN 933	6
34	019262	LOCKWASHER	M10 DIN 127	6
35	019039	DOWEL	ADAPTER TO HOUSING	2
36	019398	DAMPER		1
37	031926	CAPSCREW	M10 X 35 DIN 933	2
38	031789	WASHER	M10 DIN 125	2
39	034682	HOUSING	FLYWHEEL	1
40	036924	BOLT	FLYWHEEL	4
41	033890	MOUNT	REAR	2
42	036339	ISOLATOR	ASSEMBLY INCLUDING LOCKNUTS	2
43	036338	NUT	M16 DIN 985 LOCKING	4
44	013629	CAPSCREW	M10 X 25 DIN 933	6
45	019262	LOCKWASHER	M10 DIN 127	6

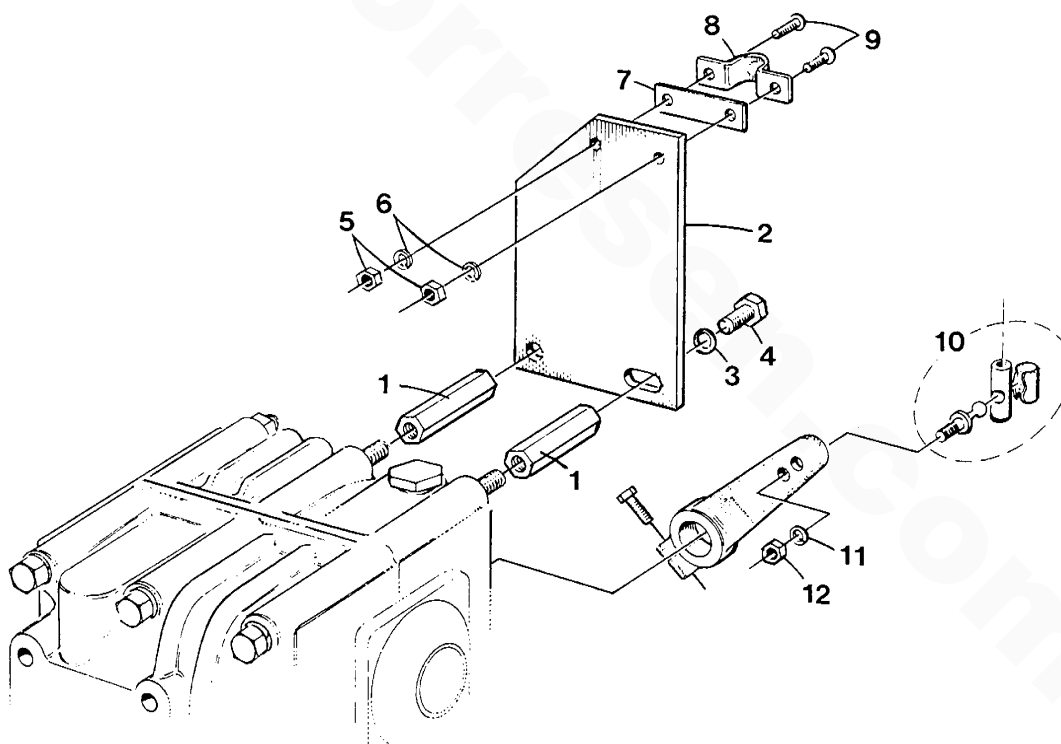
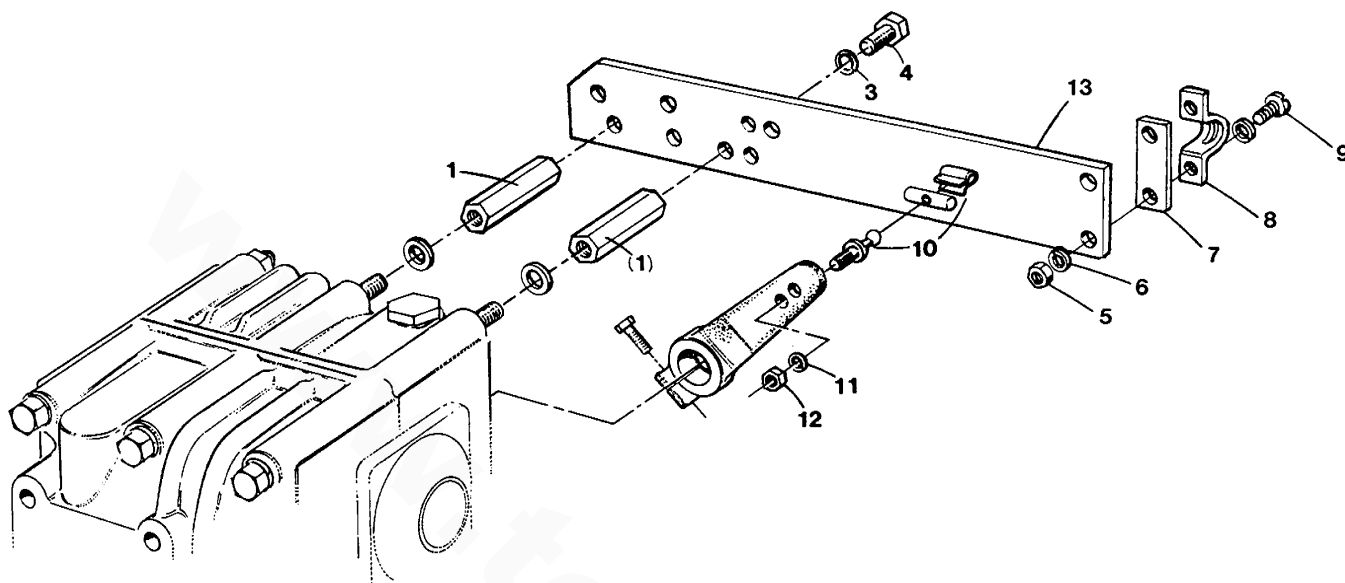
WESTERBEKE 12C TWO - BACK END FROM DECEMBER 1993



WESTERBEKE 12C TWO - BACK END FROM DECEMBER 1993

REF	PN	NAME	REMARKS	QUAN
1	034589	CAPSCREW	M10 X 30 DIN 933	2
2	019262	LOCKWASHER	M10 DIN 127	2
3	031789	WASHER	M10 DIN 125	2
4	034552	MOTOR	STARTER 12VDC	1
5	034590	CAPSCREW	M10 X 40 DIN 933 BATTERY GROUND	1
6	019262	LOCKWASHER	M10 DIN 127	2
7	015831	STUD	M 8 X 32 DIN 939	2
8		BRACKET	FILTER & BREAKER-REFER TO FUEL PAGE	1
9	015887	NUT	M10 DIN 934	2
10	039830	COVER	STARTER ACCESS	1
11	031849	LOCKWASHER	10 SS	2
12	031872	SCREW	10-32 X 1/2 SS BH	2
13	019262	LOCKWASHER	M10 DIN 127	5
14	024952	CAPSCREW	M10 X 1.25 X 25 DIN 961	5
15-1	036554	FLYWHEEL	ASSEMBLY INCLUDING RING GEAR	1
15-2	032996	GEAR	RING	1
16	039624	BOLT	FLYWHEEL	4
17	019398	DAMPER		1
18	024778	CAPSCREW	DAMPER TO FLYWHEEL	5
19	020650	CAPSCREW	M 8 X 18 DIN 933	6
20	031786	LOCKWASHER	M 8 DIN 127	6
21	039762	ADAPTER	TRANSMISSION TO HOUSING	1
23	013629	CAPSCREW	M10 X 25 DIN 933	6
24	019262	LOCKWASHER	M10 DIN 127	6
25	024950	NUT	M10 X 1.25 DIN 934	4
26	019262	LOCKWASHER	M10 DIN 127	4
27-1	023706	COUPLING	0.75 IN BORE	1
27-2	023707	COUPLING	0.875 IN BORE	1
27-3	023708	COUPLING	1.0 IN BORE	1
27-4	023709	COUPLING	1.125 IN BORE	1
27-5	023710	COUPLING	1.25 IN BORE	1
27-6	023711	COUPLING	1.375 IN BORE	1
27-7	023712	COUPLING	1.5 IN BORE	1
28	031228	CAPSCREW	M10 X 1.25 X 30 DIN 961	4
29	023652	SETSCREW	COUPLING 3/8NC X 1	2
30	039535	GEAR	HBW35 2:1	1
33	036339	ISOLATOR	ASSEMBLY INCLUDING LOCKNUTS	2
34	036338	NUT	M16 DIN 985 LOCKING	4
35	039813	HOUSING	FLYWHEEL	1
36		NOTE:	SEE PREVIOUS PAGE FOR FRONT MOUNTS	

WESTERBEKE 12C TWO - TRANSMISSION SHIFTING BRACKET



WESTERBEKE 12C TWO - TRANSMISSION SHIFTING BRACKET

REF	PN	NAME	REMARKS	QUAN
1	030756	NUT	PILLAR - M 8	2
2	030181	BRACKET	TOP ENTRY SHIFT CABLE - OPTIONAL	1
3	031786	LOCKWASHER	M 8 DIN 127	2
4	013630	CAPSCREW	M 8 X 25 DIN 933	2
5	031847	NUT	10-32 HEX SS	2
6	031849	LOCKWASHER	10 SS	2
7	013870	SHIM	CABLE CLAMP	1
8	013325	CLAMP	CABLE	1
9	031873	SCREW	10-32 X 5/8 SS BH	2
10	033482	BALL JOINT		1
11	031752	LOCKWASHER	1/4	1
12	031754	NUT	1/4NF	1
13	032161	BRACKET	REAR ENTRY SHIFT	1



WESTERBEKE 12C TWO - MISCELLANEOUS

REF	PN	NAME	REMARKS	QUAN
1	037002	KIT A	SPARE PARTS	1
2	037003	KIT B	SPARE PARTS-EXTENDED CRUISING	1
3	036998	GASKET SET	UPPER	1
4	036999	GASKET SET	COMPLETE	1
5	037121	KIT	FUEL HARDWARE	1
6	024177	KIT	REMOTE FRESH WATER SURGE TANK	1
7	013758	PAINT	RED-AEROSOL SPRAY CAN	1
8	020654	SPLITTER	ALTERNATOR OUTPUT	1
9	030760	HARNESS	12 PIN 15 FOOT EXTENSION	1
10	036557	HARNESS	4 PIN 15 FOOT EXTENSION	1
11	039721	PARTSLIST		1
12	037600	MANUAL	TECHNICAL	1
13	039717	MANUAL	OPERATOR	1
14	032974	FILTER	SEDIMENTER/WATER TRAP	1
15	039144	DIAGRAM	WIRING	1
16	033327	VALVE	ANTI-SIPHON VENT	1
17	015010	STRAINER	SEA WATER	1
18	034936	MUFFLER	HYDRO-HUSH C	1
19-1	033340	ADAPTER	HOSE TO MUFFLER-STRAIGHT	AR
19-2	033341	ADAPTER	HOSE TO MUFFLER-45 DEGREE	AR
19-3	033342	ADAPTER	HOSE TO MUFFLER-90 DEGREE	AR
19-4	033943	COUPLING	RUBBER INCLUDING CLAMPS	AR

PART NO	PAGE	REF	PART NO	PAGE	REF	PART NO	PAGE	REF
011386	113	2	018804	113	28	024683	127	23
011386	113	33	018804	125	49	024704	115	77
011405	113	29	018804	127	38	024778	131	21
011405	113	35	019031	129	18-2	024778	133	18
011405	115	46	019039	131	35	024786	115	76
011615	111	41-1	019262	131	2	024844	109	35
011796	119	24	019262	131	6	024844	127	40
011885	115	62	019262	131	8	024858	115	78
011917	129	19	019262	131	11	024905	103	47
013325	121	53	019262	131	25	024906	115	80
013325	135	8	019262	131	30	024906	123	3
013340	109	33	019262	131	34	024907	113	39
013340	125	33	019262	131	45	024922	103	46
013340	127	41	019262	133	2	024922	131	31
013341	101	18	019262	133	6	024947	129	29-1
013343	123	11-3	019262	133	13	024950	131	24
013344	123	11-2	019262	133	24	024950	133	25
013355	129	27	019262	133	26	024952	131	9
013590	111	51-1	019321	115	64	024952	133	14
013629	131	33	019364	119	23	024953	131	29
013629	131	44	019369	113	25-1	024977	115	75
013629	133	23	019369	115	54	024984	125	39
013630	109	25-1	019370	119	26	024996	129	13
013630	125	65	019398	131	36	030001	129	14
013630	127	4	019398	133	17	030002	129	12
013630	135	4	020628	121	38-1	030003	129	10
013741	115	49	020628	127	30-1	030025	125	32
013758	136	7	020650	127	34	030119	129	3
013870	121	49	020650	131	19	030146	111	43
013870	135	7	020650	133	19	030146	113	10
013871	121	50	020654	136	8	030148	129	17
013919	131	7	021878	113	37	030165	113	31
015010	136	17	022513	125	27	030181	135	2
015812	119	27	023652	131	28	030199	125	47
015816	121	41-1	023652	133	29	030200	125	46
015828	109	22	023706	131	26-1	030210	125	45-1
015830	113	40	023706	133	27-1	030211	125	45-2
015830	115	53-1	023707	131	26-2	030212	125	48
015831	115	53-2	023707	133	27-2	030213	125	37
015831	133	7	023708	131	26-3	030214	101	24
015887	131	18	023708	133	27-3	030219	105	18
015887	133	9	023709	131	26-4	030225	111	39
016789	101	13	023709	133	27-4	030231	107	6
016988	123	9	023710	131	26-5	030234	127	10-2
017012	105	22-1	023710	133	27-5	030239	101	22
017196	125	61	023711	131	26-6	030241	105	31
018241	127	14	023711	133	27-6	030242	105	28
018242	109	18	023712	131	26-7	030244	111	37
018242	113	44	023712	133	27-7	030272	101	12
018242	115	57	024132	111	41-2	030273	109	3
018242	125	34	024132	127	42	030274	107	7
018242	125	60	024177	136	6	030274	109	16
018242	127	13	024306	113	38	030277	119	9
018242	127	18	024369	105	11	030277	119	14
018804	101	9	024373	101	2	030280	109	11
018804	105	25	024600	123	11-1	030289	123	8
018804	113	11	024637	115	79	030289	125	38
018804	113	15	024639	127	28	030291	125	40

PART NO	PAGE	REF	PART NO	PAGE	REF	PART NO	PAGE	REF
030292	119	30	031786	125	35	032974	136	14
030293	119	29	031786	125	59	032996	131	13-2
030323	119	28	031786	125	64	032996	133	15-2
030326	109	24	031786	127	3	033037	117	5
030326	117	14	031786	127	12	033043	117	7
030386	113	9	031786	127	35	033044	117	3
030449	121	40	031786	131	20	033056	103	45
030461	111	40	031786	133	20	033123	105	17
030594	127	1	031786	135	3	033123	109	31
030707	101	31	031787	105	39	033124	105	35
030708	101	5	031787	109	20	033126	105	16
030711	105	6	031787	113	42	033126	109	30
030712	101	10	031787	125	36	033134	105	10
030712	111	45	031787	125	63	033149	105	30
030756	135	1	031787	127	11	033151	105	41
030760	136	9	031789	131	3	033152	105	40
030913	129	2	031789	131	17	033200	121	39
030946	129	28	031789	131	38	033212	101	4
031225	125	44	031789	133	3	033297	115	65
031228	131	27	031801	105	36	033298	115	63
031228	133	28	031802	119	12	033327	136	16
031267	131	22	031802	119	20	033340	136	19-1
031281	109	21	031809	103	37	033341	136	19-2
031506	115	61	031810	101	25-1	033342	136	19-3
031752	115	60	031810	101	28-1	033351	113	14
031752	135	11	031810	111	46-1	033381	127	2
031753	115	59	031810	121	48	033402	115	66
031754	135	12	031810	127	7	033482	135	10
031760	127	29	031824	111	44	033538	107	13
031783	101	25-2	031824	113	6	033636	109	23
031783	101	28-2	031825	103	41-1	033636	113	4
031783	103	41-2	031825	109	7-1	033636	117	1-1
031783	105	22-2	031825	113	8-1	033657	101	11
031783	109	7-2	031825	115	47	033657	105	7
031783	111	46-2	031825	119	7	033682	129	16
031783	111	51-2	031825	125	30	033684	129	11
031783	113	8-2	031843	127	24	033693	129	9
031783	113	27	031844	127	25	033764	129	18-1
031783	115	48-1	031847	119	1	033865	129	8
031783	121	38-2	031847	119	22	033890	131	41
031783	121	41-2	031847	127	15	033943	136	19-4
031783	121	47	031847	135	5	034397	109	36
031783	125	29	031849	119	2	034440	117	9
031783	125	50	031849	119	21	034457	117	1-2
031783	127	6	031849	121	51	034458	117	6
031783	127	30-2	031849	133	11	034459	117	11
031784	105	14	031849	135	6	034460	117	8
031784	105	22-3	031861	127	27	034461	117	12
031784	113	26	031866	127	26	034462	117	4
031784	115	48-2	031870	119	25	034463	117	13
031784	125	28	031872	119	4	034464	117	2
031786	105	38	031872	133	12	034466	117	1-3
031786	109	19	031873	121	52	034552	127	20
031786	109	25-2	031873	135	9	034552	131	4
031786	113	43	031926	131	37	034552	133	4
031786	115	56	031935	115	51	034589	131	1
031786	119	11	032015	127	9	034589	131	5
031786	119	19	032161	135	13	034589	133	1

PART NO	PAGE	REF	PART NO	PAGE	REF	PART NO	PAGE	REF
034590	133	5	036847	119	3	036976	123	2-4
034620	105	21	036849	115	73-1	036977	105	2
034642	105	26	036865	125	42	036978	109	12
034642	113	7	036914	107	4	036979	105	32
034667	127	44	036915	111	42	036981	101	27
034669	127	33	036916	103	38	036982	109	27
034682	131	39	036917	101	7	036986	105	29
034712	113	3	036918	101	23	036987	101	17
034761	109	34	036919	105	8	036989	119	10
034833	131	10	036921	123	14	036992	107	8
034857	123	4	036922	123	16	036994	107	9
034936	136	18	036923	123	26	036995	109	14
035109	113	25-2	036924	131	40	036996	109	9
035109	127	16	036925	123	19- 1	036997	101	29
035114	129	5	036926	123	19- 2	036998	136	3
035118	129	4	036927	123	19- 3	036999	136	4
035747	115	73-2	036929	123	19- 4	037002	136	1
035825	129	20	036930	123	19- 6	037003	136	2
036043	129	25	036931	123	19- 7	037004	101	30
036051	131	12	036932	123	19- 8	037005	101	32
036218	127	19	036933	123	19- 9	037006	109	8
036228	113	24	036934	123	19-10	037015	113	12
036338	131	43	036935	123	23	037016	113	17
036338	133	34	036936	105	15	037019	109	28
036339	131	42	036937	113	22	037021	121	44
036339	133	33	036938	111	47	037022	121	43
036425	115	71	036939	121	45	037024	119	8
036473	129	23	036940	101	3	037025	109	13
036477	129	32	036941	121	42	037026	105	27
036479	129	26-1	036942	119	6	037027	105	34
036483	129	29-2	036943	101	21	037029	105	33
036490	129	26-2	036944	127	32-2	037030	111	38
036493	103	42	036945	101	8	037031	101	34-1
036541	115	70	036946	109	26	037032	103	39
036544	129	33	036947	113	23	037033	123	2-3
036545	129	34	036948	109	4	037034	123	2-5
036554	131	13-1	036948	109	10	037035	123	2-6
036554	133	15-1	036948	109	15	037036	123	2-7
036556	113	36	036949	109	1	037037	123	2-8
036557	136	10	036950	109	5	037038	123	2-9
036563	127	31	036951	123	12	037039	105	12
036590	129	24	036952	123	13	037040	127	37
036612	113	5	036954	105	9	037041	105	23
036614	115	67	036956	113	21	037042	105	24
036614	115	74-1	036957	113	13	037043	113	20
036616	115	74-4	036958	105	3	037044	119	31
036626	129	30	036959	105	4	037045	101	26
036627	129	31	036960	105	43	037046	105	19
036630	129	36	036961	127	36	037047	107	1-1
036654	113	34	036962	103	35	037048	119	33
036725	119	18	036963	101	6	037050	111	48
036809	115	52	036968	109	32	037051	111	49
036810	131	14	036970	109	6	037052	105	13
036812	131	32	036971	105	42	037053	105	37
036819	103	44	036972	109	17	037056	105	1
036829	129	21	036973	113	41	037057	113	16
036843	129	1	036974	123	2-1	037058	107	2-2
036845	121	46	036975	123	2-2	037059	107	2-3

PART NO	PAGE	REF	PART NO	PAGE	REF
037060	107	1-2	037508	111	52
037061	107	1-3	037508	127	45
037064	101	34-2	037587	115	55
037065	101	34-3	037600	136	12
037066	107	5-2	037601	129	6
037067	107	5-3	037602	119	16
037068	103	36	037603	129	7
037069	107	5-1	037605	129	15
037070	111	50	038045	115	58-1
037071	107	2-1	038045	125	43-1
037072	101	20	038047	125	41
037073	101	19	038074	127	39
037076	109	2	038116	127	21
037077	107	3	038399	123	7
037078	119	37	038402	123	6
037079	119	34	038432	123	10
037080	119	36	038527	127	8
037081	119	35	038679	101	15
037083	107	10	038906	127	46
037085	105	5	039144	129	35
037086	109	29	039144	136	15
037089	119	32	039275	125	31
037090	119	5	039535	131	23
037091	123	17	039535	133	30
037094	103	40	039624	133	16
037098	123	15	039717	136	13
037100	127	32-1	039721	136	11
037102	123	1	039762	133	21
037105	123	5	039766	125	62
037106	123	20	039813	133	35
037107	123	21	039830	133	10
037108	123	22	039937	115	58-2
037109	123	25	039937	125	43-2
037112	123	18	040621	131	15
037114	101	33			
037121	136	5			
037152	113	32			
037157	113	1			
037162	113	19			
037162	127	17-2			
037167	107	11			
037168	107	12			
037173	101	1			
037191	105	20			
037311	113	45			
037323	127	43			
037342	127	5			
037343	127	10-1			
037353	131	16			
037383	113	30			
037393	103	43			
037401	115	72-1			
037402	115	72-2			
037453	113	25-3			
037493	113	18			
037493	127	17-1			
037502	121	54			
037506	115	50			