

# PARTS LIST

## WESTERBEKE

71B Four

Marine Diesel Engine

20.0 BED - 60 Hz

16.0 BED - 50 Hz

Marine Diesel Generators

Publication #39904

Edition One

April 1993



# PARTS LIST

## WESTERBEKE

71B Four

Marine Diesel Engine

20.0 BED - 60 Hz

16.0 BED - 50 Hz

Marine Diesel Generators

Publication #39904

Edition One

April 1993



**IMPORTANT**

**PRODUCT SOFTWARE DISCLAIMER**

Product software of all kinds such as brochures, drawings, technical data, operator's and workshop manuals, parts lists and parts price lists, and other information, instructions and specifications provided from sources other than Westerbeke, is not within Westerbeke's control and, accordingly, is provided to Westerbeke customers only as a courtesy and service. **Westerbeke cannot be responsible for the content of such software, makes no warranties or representations with respect thereto, including the accuracy, timeliness or completeness thereof, and will in no event be liable for any type of damages or injury incurred in connection with, or arising out of, the furnishing or use of such software.**

For example, components and subassemblies incorporated in Westerbeke's products and supplied by others (such as engine blocks, fuel systems and components, transmissions, electrical components, pumps and other products) are generally supported by their manufacturers with their own software, and Westerbeke must depend on such software for the design of Westerbeke's own product software. Such software may be outdated and no longer accurate. Routine changes made by Westerbeke's suppliers, of which Westerbeke rarely has notice in advance, are frequently not reflected in the supplier's software until after such changes take place.

Westerbeke customers should also keep in mind the time span between printings of Westerbeke product software, and the unavoidable existence of earlier, non-current Westerbeke software editions in the field. Additionally, most Westerbeke products include customer-requested special features that frequently do not included complete documentation.

In summation, product software provided with Westerbeke products, whether from Westerbeke or other suppliers, must not and cannot be relied upon exclusively as the definitive authority on the respective product. It not only makes good sense but is imperative that appropriate representatives of Westerbeke or the supplier in question be consulted to determine the accuracy and currency of the product software being consulted by the customer.

71B FOUR PROPULSION ENGINE

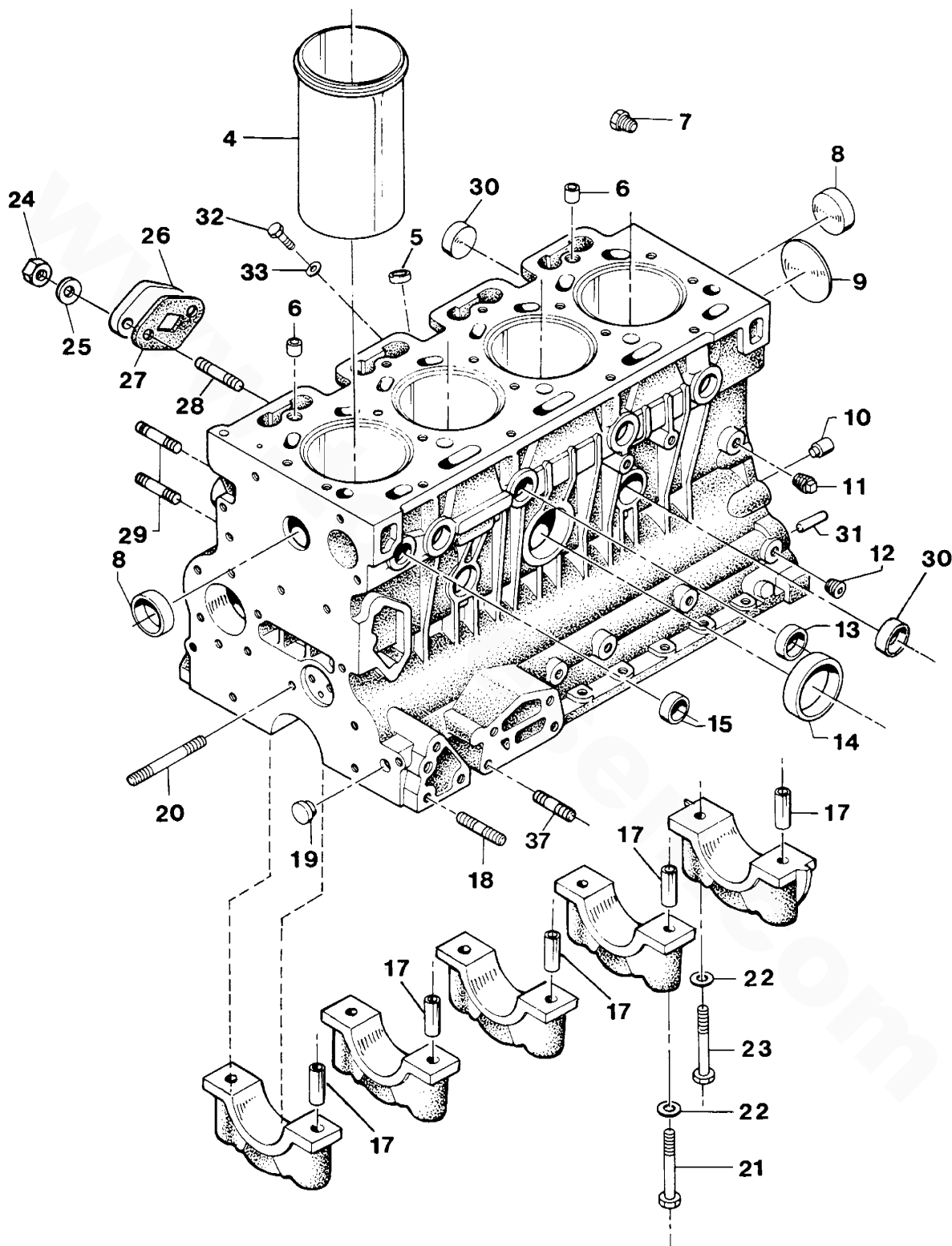
20.0 BED GENERATOR - 60 HERTZ

16.0 BED GENERATOR - 50 HERTZ

TABLE OF CONTENTS

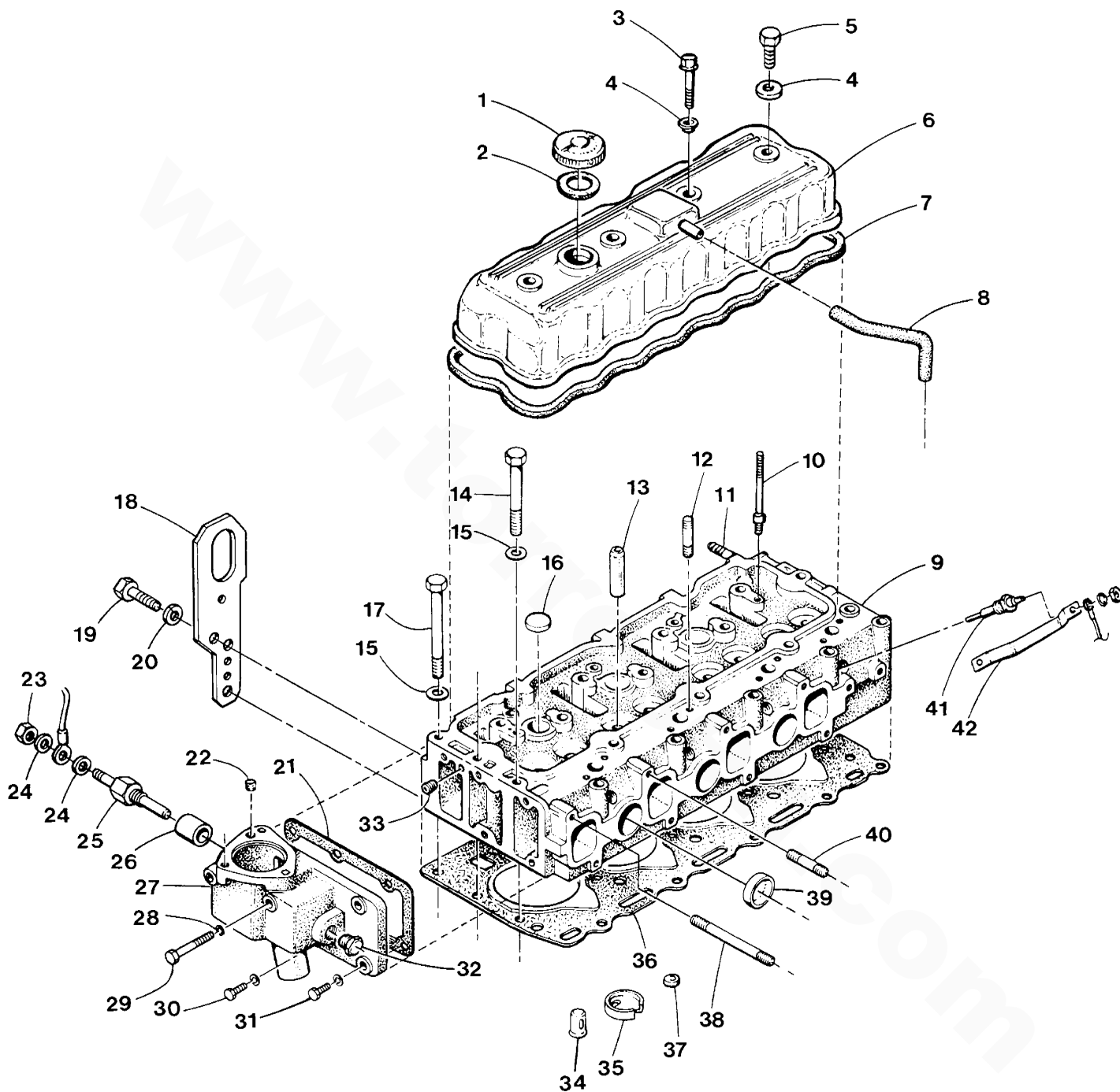
PAGE	DESCRIPTION
100	CYLINDER BLOCK
102	CYLINDER HEAD - ROCKER COVER
104	CRANKSHAFT - PISTONS
106	VALVES - CAMSHAFT - ROCKER SHAFT
108	TIMING GEAR COVER - ALTERNATOR MOUNT
110	INTAKE MANIFOLD - SILENCER
112	LUBE OIL SUMP
114	LUBE OIL PUMP
116	LUBE OIL FILTER & COOLER
118	COOLING SYSTEM - EXHAUST MANIFOLD
122	FRONT OPENING EXHAUST MANIFOLD
124	SEA WATER PUMP
126	FRESH WATER PUMP
128	FUEL SYSTEM
134	PROPULSION BACK END - HBW TRANSMISSION - MOUNTS
138	WARNER HYDRAULIC TRANSMISSION
140	GENSET MOUNTING SYSTEM
142	GENSET BACK END - GENERATOR
146	GENSET AC OUTPUT & REGULATOR
148	GENSET ELECTRONIC GOVERNOR ACTUATOR
150	BELTS - BELT GUARD
152	ELECTRICAL SYSTEM
154	PROPULSION INSTRUMENT PANELS
156	GENSET CONTROL PANEL
158	PROPULSION STARTER MOTOR
160	GENSET SOUND GUARD
162	MISCELLANEOUS

WESTERBEKE 71B - 20.0 BED - CYLINDER BLOCK



WESTERBEKE 71B - 20.0 BED - CYLINDER BLOCK

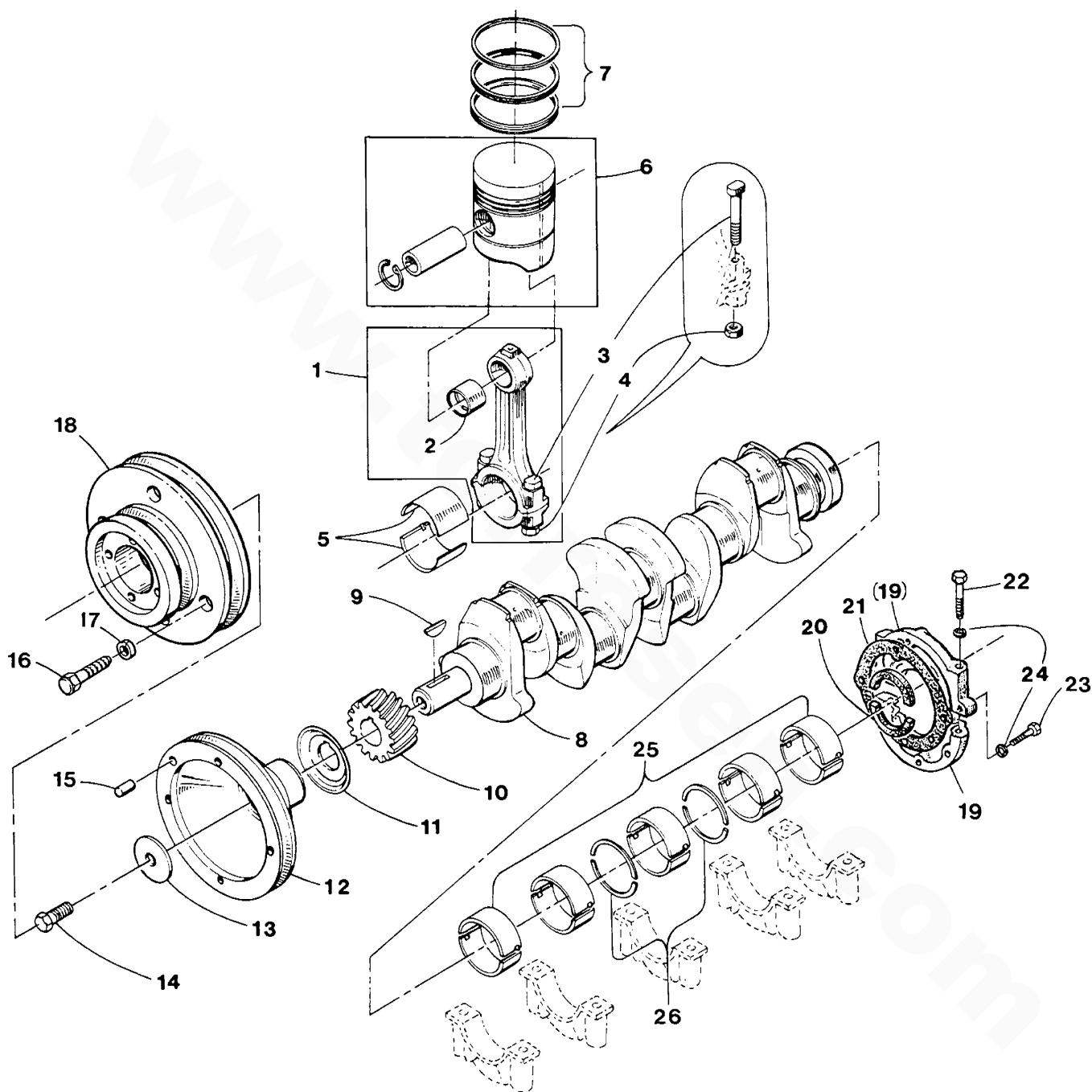
REF	PN	NAME	REMARKS	QUAN
1-1	034920	BLOCK	ASSEMBLY-PROPULSION	1
1-2	036757	BLOCK	ASSEMBLY-GENSET WITH MECHANICAL GOVERNOR	1
1-3	034920	BLOCK	ASSEMBLY-GENSET WITH ELECTRONIC GOVERNOR	1
4	024483	LINER	CYLINDER	4
5	024380	PLUG	OIL PUMP	1
6	024383	DOWEL	TUBULAR	2
7	024601	PLUG	1/4NPT SOCKET	1
8	024374	PLUG	EXPANSION 30MM DIN 443	2
9	024379	PLUG	CAMSHAFT	1
10	019309	DOWEL	BLOCK TO BACKPLATE	2
11-1	011724	PLUG	1/4NPT SQUARE HEAD	1
11-2	013970	PETCOCK	1/4NPT BLOCK DRAIN	1
12	024523	PLUG	1/8NPT	4
13	024373	PLUG	EXPANSION 25MM DIN 443	4
14	024378	PLUG	EXPANSION 50MM DIN 443	1
15	024369	PLUG	EXPANSION 20MM DIN 443	1
16	019957	PLUG	1/8NPT SQUARE HEAD	1
17	024383	DOWEL	TUBULAR	10
18		STUD	7/16NF X 1-5/8	6
19	024364	PLUG		1
20	024385	STUD	IDLER GEAR	2
21	024386	BOLT	MAIN BEARING CAP	8
22	017849	WASHER	FLAT	10
23	024387	BOLT	MAIN BEARING CAP-REAR	2
24	031760	NUT	5/16NF	2
25	031758	LOCKWASHER	5/16	2
26	024382	COVER		1
27	024466	GASKET	COVER TO BLOCK	1
28		STUD	5/16NF X 1	2
29		STUD	3/8NF X 1-3/8	2
30	024374	PLUG	EXPANSION 30MM DIN 443	8
31	024393	PLUG	OIL GALLERY-BLOCK REAR	1
32	031601	CAPSCREW	3/8NF X 1/2 PLUG OIL GALLERY	1
33	011944	WASHER	BANJO-SEAL GALLERY PLUG	1
37		STUD	7/16NF X 1-3/4 LUBE OIL ADAPTER TO BLOCK	1



WESTERBEKE 71B - 20.0 BED - CYLINDER HEAD

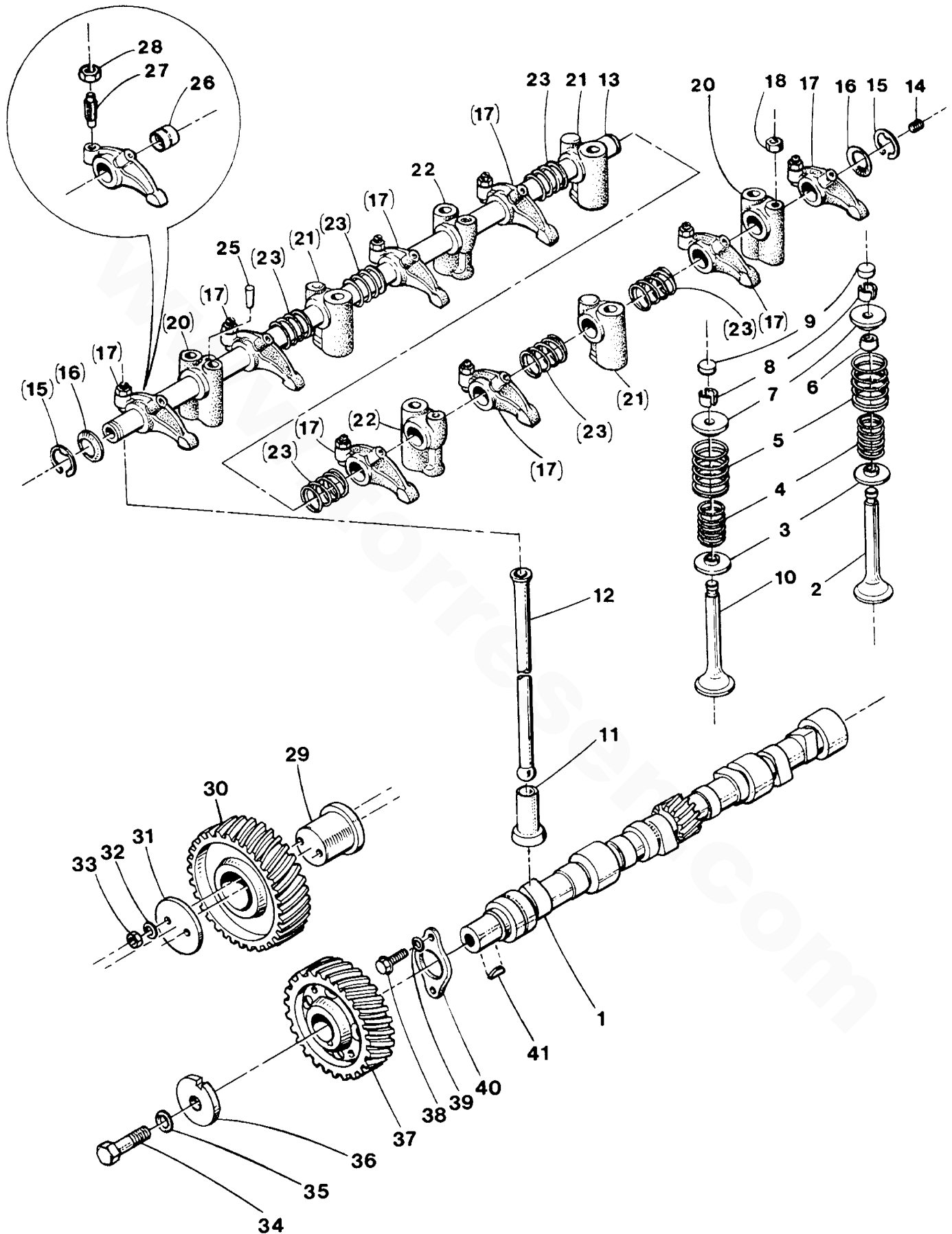
REF	PN	NAME	REMARKS	QUAN
1	034109	CAP	OIL FILLER WITH GASKET	1
2		GASKET	OIL FILLER CAP-SEE REF 1	1
3	031582	CAPSCREW	5/16NF X 1-1/2	2
4	030985	SEAL	ROCKER COVER CAPSCREW	4
5	031577	CAPSCREW	5/16NF X 5/8	2
6	030983	COVER	ROCKER	1
7	030984	GASKET	ROCKER COVER	1
8	024539	HOSE	BREATHER	1
9	024340	HEAD	CYLINDER	1
10	033667	STUD	HEAD FOR ROCKER COVER 5/16	2
11	038510	STUD	EXHAUST MANIFOLD	8
12		STUD	INJECTOR 5/16NF X 1-5/8	8
13	024366	GUIDE	VALVE	8
14	024371	BOLT	CYLINDER HEAD 4-1/8 LONG	13
15	017849	WASHER	FLAT-CYLINDER HEAD BOLTS	20
16	024336	PLUG		3
17	024372	BOLT	CYLINDER HEAD 5-7/8 LONG	7
18	030131	EYE	LIFTING-FRONT	1
19	031603	CAPSCREW	3/8NF X 3/4	2
20	031764	LOCKWASHER	3/8	2
21	024375	GASKET	LOWER THERMOSTAT HOUSING	1
22	014433	PLUG	BRASS	1
23	031900	NUT	10-32 BRASS	2
24	031902	LOCKWASHER	10 BRONZE	1
25	035109	SENDER	WATER TEMPERATURE	1
26	024672	BUSHING	HOUSING TO 1/8NPT FOR SENDER	1
27	024540	HOUSING	LOWER THERMOSTAT	1
28	031758	LOCKWASHER	5/16	AR
29		CAPSCREW	5/16NF X 3-7/8	1
30		CAPSCREW	5/16NF X 3-3/8	1
31	031580	CAPSCREW	5/16NF X 1	4
32	022205	PLUG	M16 DIN 910	1
33	024345	PLUG	OIL GALLERY	1
34	024370	CAP	WATER JET	4
35	024341	INSERT	HEAD	4
36	024344	GASKET	CYLINDER HEAD	1
37	024368	WASHER	WELCH	4
38	024547	STUD	5/16NF X 3-3/4	1
39	024349	PLUG	EXPANSION	7
40	024546	STUD	MANIFOLD 5/16NF X 1-1/4	9
41-1	024353	GLOWPLUG	12 VDC	4
41-2	034467	GLOWPLUG	24 VDC	4
42	024354	STRAP	GLOWPLUG CONNECTING	3



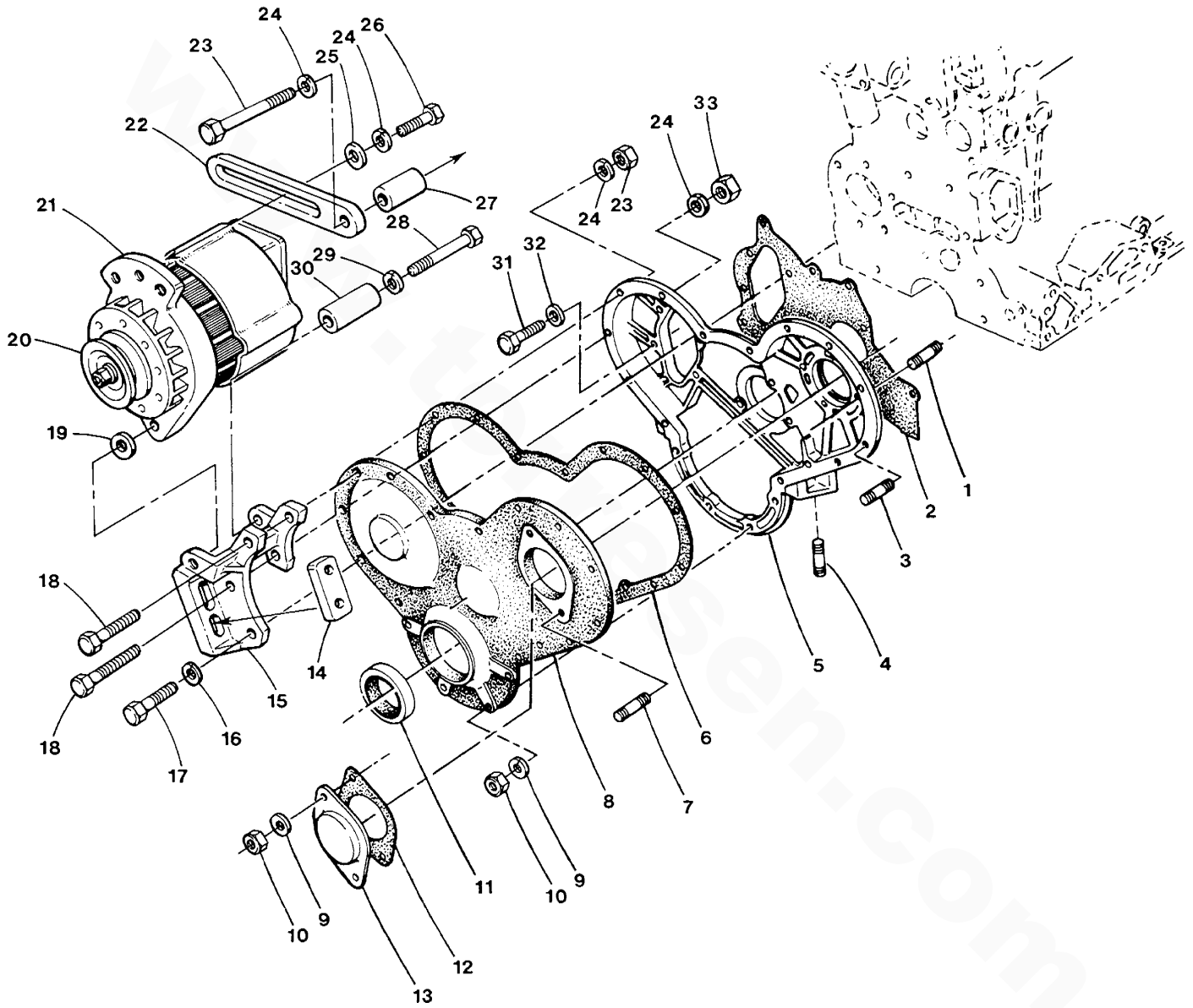


WESTERBEKE 71B - 20.0 BED - CRANKSHAFT - PISTONS

REF	PN	NAME	REMARKS	QUAN
1	024524	ROD	CONNECTING	4
2	024400	BUSHING	CONNECTING ROD	4
3	024401	BOLT	CONNECTING ROD	8
4	024402	NUT	CONNECTING ROD BOLT	8
5-1	024484	BEARING	SET CONNECTING ROD STD	1
5-2	024485	BEARING	SET CONNECTING ROD 0.25MM	1
5-3	024486	BEARING	SET CONNECTING ROD 0.58MM	1
5-4	024487	BEARING	SET CONNECTING ROD 0.76MM	1
6	024355	PISTON	STD	4
7	024356	RING SET	STD	4
8	024403	CRANKSHAFT		1
9	024407	KEY	WOODRUFF	1
10	024405	GEAR	CRANKSHAFT	1
11	024560	SLINGER	CRANKSHAFT FRONT	1
12	036489	PULLEY	CRANKSHAFT	1
13	012613	BOLT	CRANKSHAFT PULLEY	1
14	024409	WASHER	CRANKSHAFT PULLEY	1
15	013919	DOWEL	3/8 X 1/2	2
16	031580	CAPSCREW	5/16NF X 1	4
17	031758	LOCKWASHER	5/16	4
18	038694	PULLEY	CRANKSHAFT	1
19	024404	FLANGE	OIL SEAL CRANKSHAFT REAR	1
20	011993	SEAL	OIL CRANKSHAFT REAR	2
21	012661	GASKET	CRANKSHAFT OIL SEAL FLANGE	1
22	031586	CAPSCREW	5/16NF X 2-1/2	2
23	031581	CAPSCREW	5/16NF X 1-1/4	6
24	031758	LOCKWASHER	5/16	8
25-1	024488	BEARING	SET MAIN STD	1
25-2	024489	BEARING	SET MAIN 0.25MM	1
25-3	024490	BEARING	SET MAIN 0.50MM	1
25-4	024491	BEARING	SET MAIN 0.75MM	1
26-1	024492	WASHER	THRUST SET STD	1
26-2	024493	WASHER	THRUST SET U/S	1

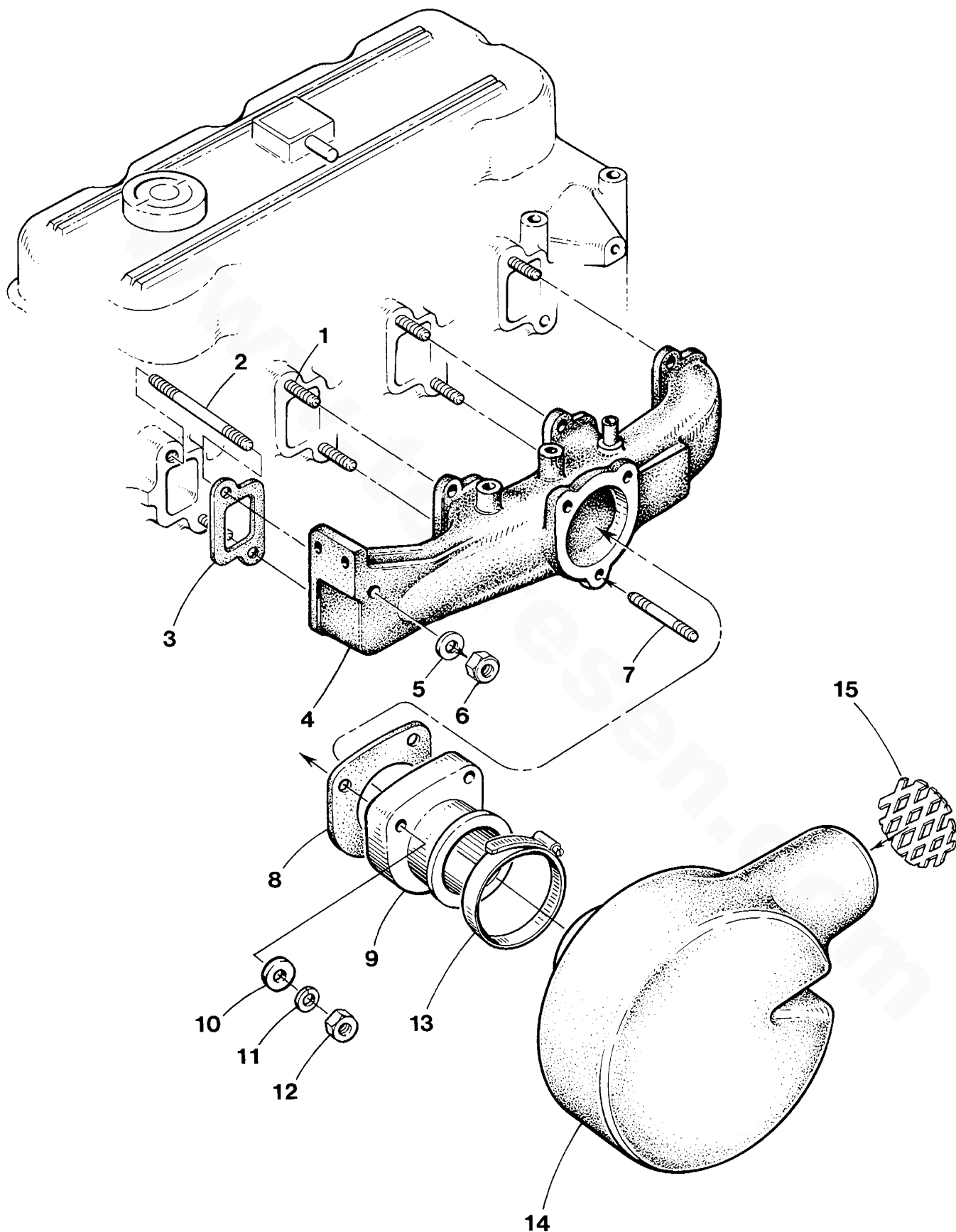


REF	PN	NAME	REMARKS	QUAN
1	024347	CAMSHAFT		1
2	024423	VALVE	INTAKE	4
3	024427	SEAT	VALVE SPRING LOWER	8
4	024426	SPRING	VALVE INNER	8
5	024425	SPRING	VALVE OUTER	8
6	024428	SEAL	VALVE STEM OIL	4
7	024424	SEAT	VALVE SPRING UPPER	8
8	024429	COTTER	VALVE	16
9	024351	CAP	VALVE STEM	8
10	024346	VALVE	EXHAUST	4
11	024348	TAPPET		8
12	032683	PUSHROD		8
13	024433	SHAFT	ROCKER INCLUDING PLUGS	1
14	012446	PLUG	ROCKER SHAFT END	2
15		CIRCLIP		2
16	024437	WASHER	ROCKER SHAFT	2
17	024430	ROCKER	INCLUDING BUSHING, SCREW, LOCKNUT	8
18	032883	NUT	PILLAR-ROCKER BRACKET	2
20	024434	BRACKET	ROCKER SHAFT 5/16 STUD	2
21	024435	BRACKET	ROCKER SHAFT	3
22	033664	BRACKET	ROCKER SHAFT	2
23	024436	SPRING	ROCKER SHAFT	6
25		PIN	TAPER	1
26	024431	BUSHING	ROCKER	8
27	024432	SCREW	ROCKER ADJUSTING	8
28	012433	NUT	5/16NF JAM SELF-LOCKING	8
29	024442	HUB	IDLER GEAR	1
30	024441	GEAR	IDLER	1
31	024443	PLATE	IDLER GEAR	1
32	031758	LOCKWASHER	5/16	2
33		NUT	5/16NF SELF-LOCKING	2
34	024384	CAPSCREW	CAMSHAFT GEAR	1
35	017849	WASHER		1
36	024525	PLATE	LOCK CAMSHAFT GEAR	1
37	024444	GEAR	CAMSHAFT	1
38	031577	CAPSCREW	5/16NF X 5/8	2
39	031758	LOCKWASHER	5/16	2
40	024446	PLATE	CAMSHAFT RETAINING	1
41	024445	KEY	WOODRUFF	1



WESTERBEKE 71B - 20.0 BED - TIMING GEAR COVER - ALTERNATOR MOUNT

REF	PN	NAME	REMARKS	QUAN
1	012495	STUD	INJECTION PUMP 5/16NF X 1-1/2	2
2	024394	GASKET	BLOCK TO TIMING CASE	1
3	014810	STUD	TIMING COVER 5/16NF X 1-3/4	3
4	012495	STUD	TIMING COVER 5/16NF X 1-1/2	6
5	024392	CASE	TIMING GEAR	1
6	024397	GASKET	TIMING COVER TO CASE	1
7	032381	STUD	TIMING GEAR COVER 5/16NF X 3/4	2
8	024395	COVER	TIMING	1
9	031758	LOCKWASHER	5/16	AR
10	031760	NUT	5/16NF	AR
11	031056	SEAL	OIL-TIMING COVER	1
12	024399	GASKET	INJECTION PUMP GEAR COVER	1
13	024398	COVER	INJECTION PUMP GEAR	1
14	038435	PLATE	SEA WATER PUMP ADJUSTING	1
15-1	038511	BRACKET	SEA WATER PUMP & ALTERNATOR 51A	1
15-2	038788	BRACKET	SEA WATER PUMP & ALTERNATOR 90-190A	1
16	031758	LOCKWASHER	5/16	1
17	031588	CAPSCREW	5/16NF X 3	1
18	031590	CAPSCREW	5/16NF X 3-1/2	2
19-1	030168	SPACER	50A ALTERNATOR	3
19-2		SPACER	135A ALTERNATOR	1
20-1	039354	PULLEY	50A ALTERNATOR	1
20-2	038689	PULLEY	135-190A ALTERNATOR	1
21-1	039790	ALTERNATOR	50 AMP 12 VDC INCLUDING PULLEY	1
21-2	038792	ALTERNATOR	135 AMP 12 VDC	1
21-3	038793	ALTERNATOR	160 AMP 12 VDC	1
21-4	038794	ALTERNATOR	190 AMP 12 VDC	1
22-1	033064	STRAP	ALTERNATOR ADJUSTING 50 AMP	1
22-2	038688	STRAP	ALTERNATOR ADJUSTING 135-190 AMP	1
23	031588	CAPSCREW	5/16NF X 3	1
24	031758	LOCKWASHER	5/16	4
25	033381	WASHER	ADJUSTING STRAP	1
26	031555	CAPSCREW	5/16NC X 1	1
27	038089	SPACER	ADJUSTING STRAP	1
28-1	031722	CAPSCREW	1/2NC X 5-1/4 50 AMP	1
28-2	031622	CAPSCREW	3/8NC X 5-1/4 135-190 AMP	1
29-1	031776	LOCKWASHER	1/2	1
29-2	031764	LOCKWASHER	3/8	1
30-1	038111	SPACER	50 AMP	1
30-2	031169	SPACER	135 AMP	1
30-3	024735	SPACER	160-190 AMP	1
31	031579	CAPSCREW	5/16NF X 7/8 TIMING CASE TO BLOCK	7
32	031758	LOCKWASHER	5/16	7
33	031760	NUT	5/16NF	2
34-1	038891	REGULATOR	135 AMP ALTERNATOR	1
34-2	038892	REGULATOR	160-190 AMP ALTERNATOR	1

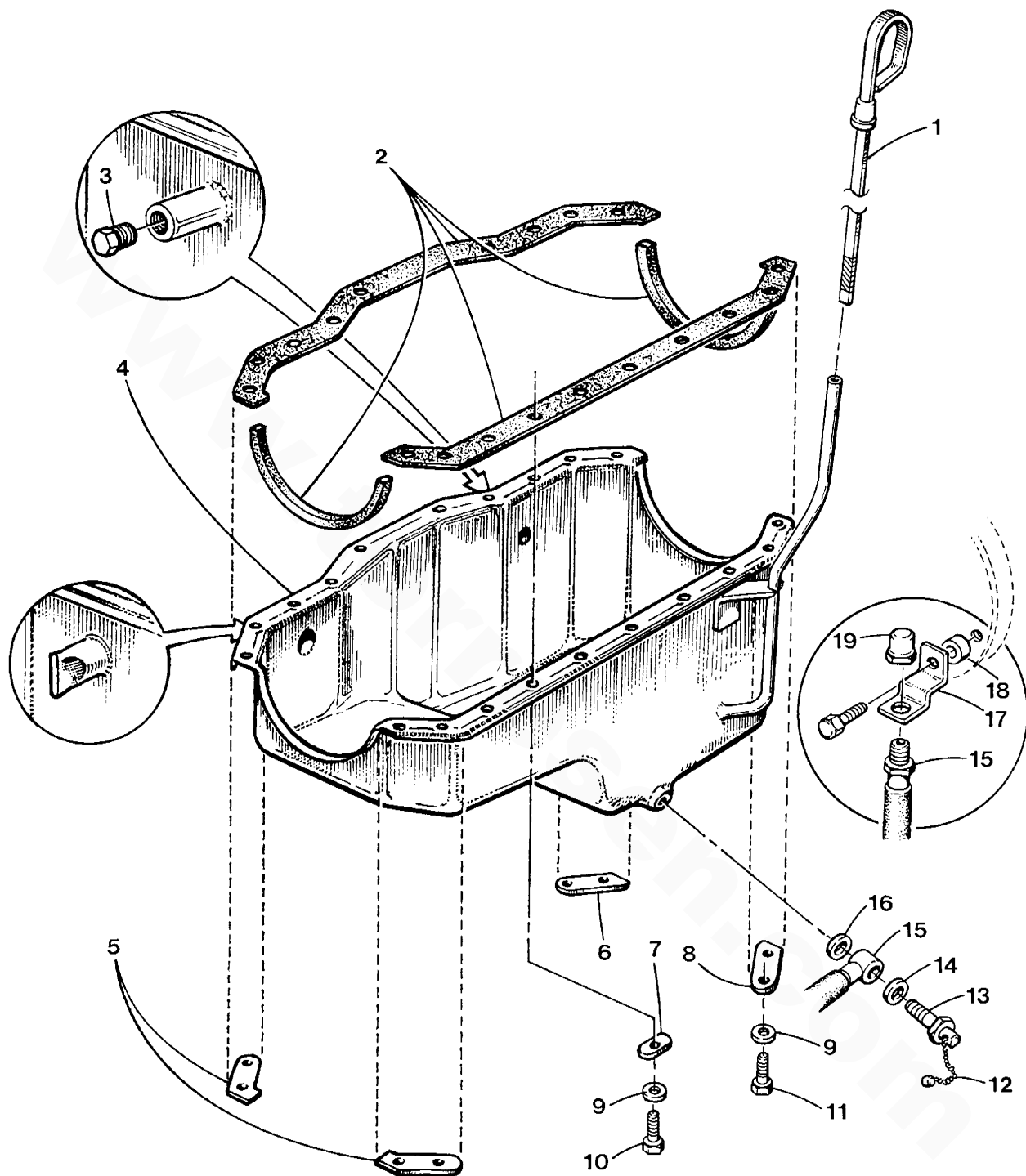


WESTERBEKE 71B - 20.0 BED - INTAKE MANIFOLD AND SILENCER

REF	PN	NAME	REMARKS	QUAN
1	024546	STUD	5/16NF X 1-1/4	7
2	024547	STUD	5/16NF X 3-3/4	1
3	024453	GASKET	INTAKE MANIFOLD TO HEAD	4
4	024548	MANIFOLD	INTAKE	1
5	031758	LOCKWASHER	5/16	8
6	031760	NUT	5/16NF	8
7	024546	STUD	5/16NF X 1-1/4	3
8	037644	GASKET	ADAPTER TO MANIFOLD	1
9	037638	ADAPTER	SILENCER TO MANIFOLD	1
10	031759	WASHER	5/16 FLAT	3
11	031758	LOCKWASHER	5/16	3
12	031760	NUT	5/16NF	3
13	011505	CLAMP	SILENCER	1
14	037782	SILENCER	AIR INTAKE INCLUDING REF 15	1
15	037641	SCREEN	AIR INTAKE SILENCER	1

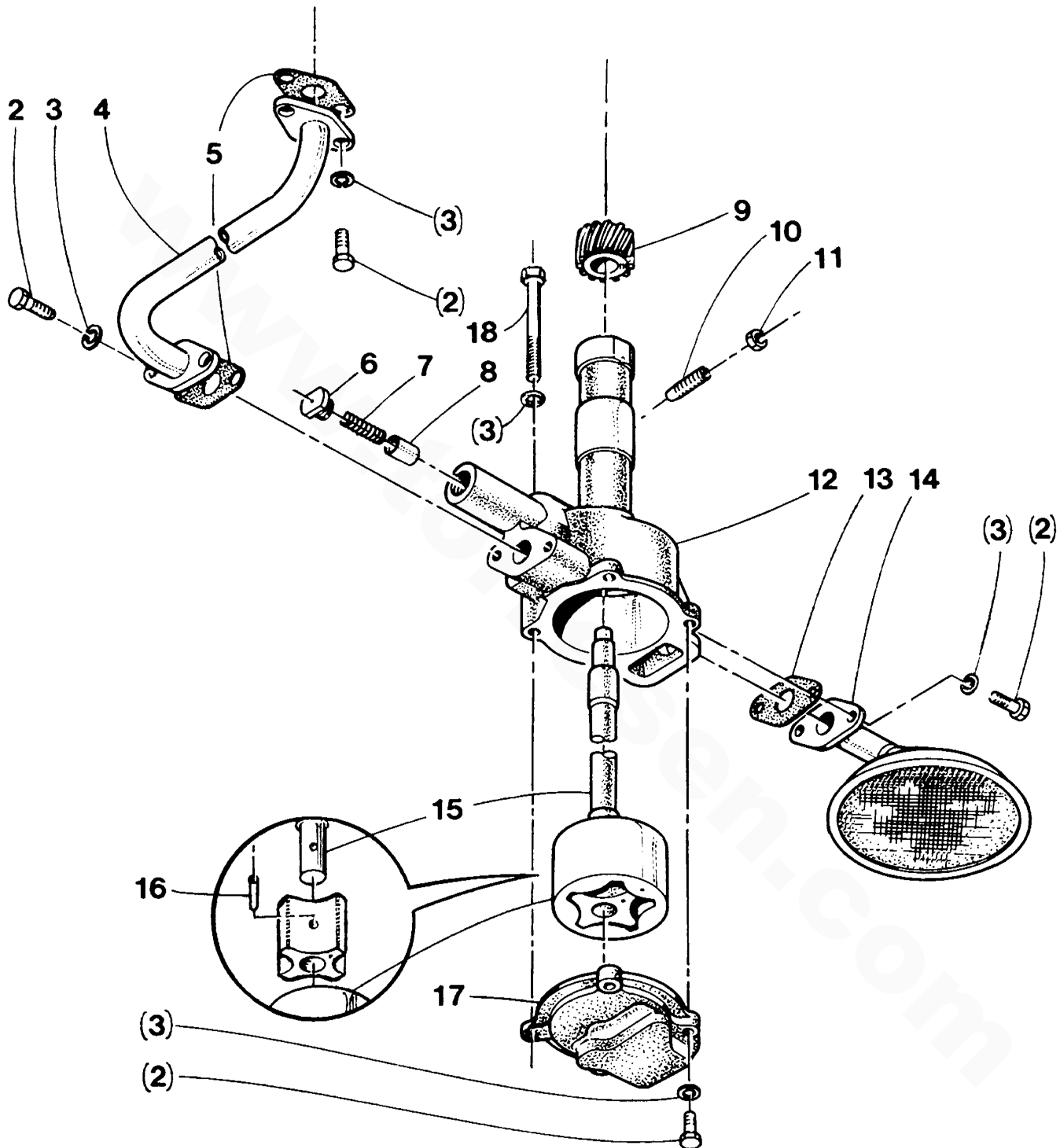


WESTERBEKE 71B - 20.0 BED - LUBE OIL SUMP



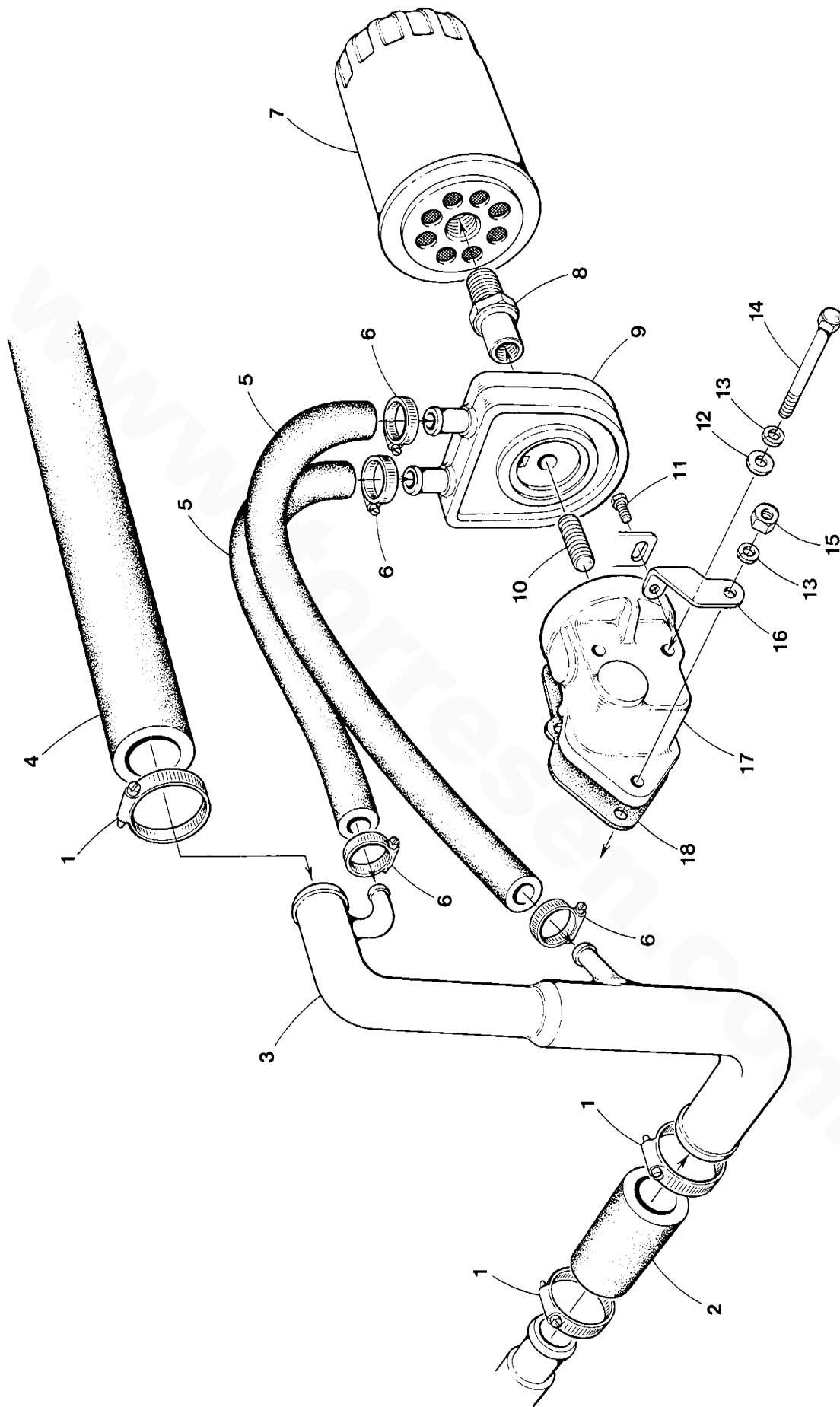
WESTERBEKE 71B - 20.0 BED - LUBE OIL SUMP

REF	PN	NAME	REMARKS	QUAN
1	024570	DIPSTICK		1
2	024516	GASKET SET	SUMP	1
3	013341	PLUG	1/4NPT	1
4	024561	SUMP	LUBE OIL	1
5	024388	STIFFENER	SUMP FRONT	2
6	024390	STIFFENER	SUMP REAR	1
7	024391	STIFFENER	SUMP SIDE	12
8	024389	STIFFENER	SUMP REAR	1
9	031758	LOCKWASHER	5/16	20
10	031577	CAPSCREW	5/16NF X 5/8	18
11	031578	CAPSCREW	5/16NF X 3/4	2
12	037393	SEAL	LEAD WIRE	1
13	036821	BOLT	BANJO-SUMP DRAIN	1
14	036493	WASHER	SUMP DRAIN BANJO	1
15	030848	HOSE	SUMP DRAIN	1
16	030291	WASHER	BANJO	1
17	024922	BRACKET	SUMP DRAIN HOSE	1
18	034616	BRACKET	SUMP DRAIN HOSE BRACKET	1
19	024905	CAP	SUMP DRAIN HOSE	1



WESTERBEKE 71B - 20.0 BED - LUBE OIL PUMP

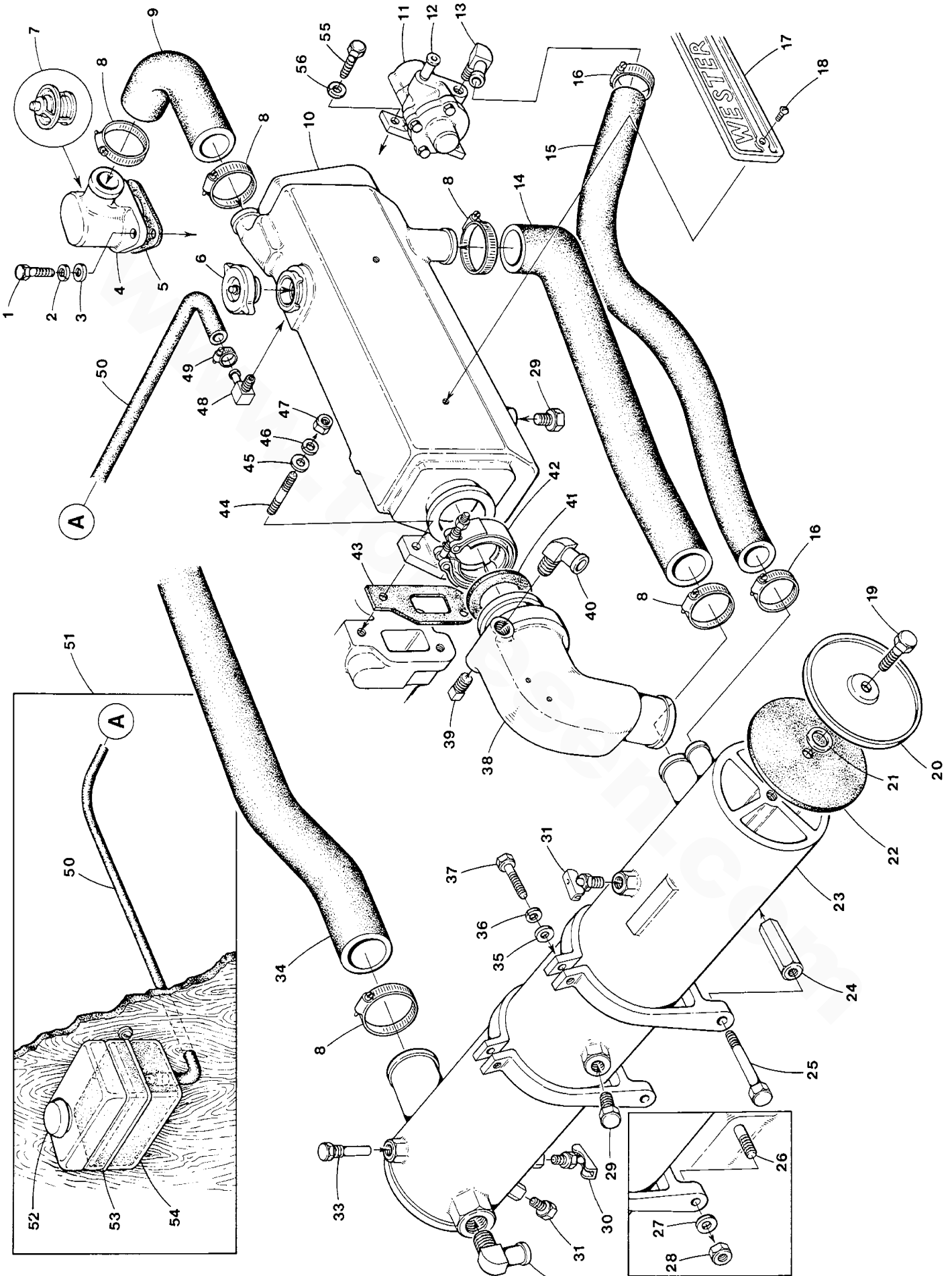
REF	PN	NAME	REMARKS	QUAN
2	031528	CAPSCREW	1/4NF X 3/4	8
3	031752	LOCKWASHER	1/4	10
4	024556	LINE	LUBE OIL	1
5	024472	GASKET	LUBE OIL LINE	2
6	030977	PLUG		1
7	024517	SPRING	OIL RELIEF VALVE	1
8	024470	PLUNGER	OIL RELIEF VALVE	1
9	024469	GEAR	PUMP DRIVE	1
10	024350	SETSCREW	OIL PUMP RETAINING	1
11	031773	NUT	SETSCREW 7/16NF	1
12	024551	PUMP	LUBE OIL	1
13	024471	GASKET	STRAINER TO PUMP	1
14	024555	STRAINER	OIL	1
15	024554	SHAFT	PUMP DRIVE	1
16	024468	PIN		2
17	024553	COVER	OIL PUMP	1
18	031537	CAPSCREW	1/4NF X 2-3/4	2



WESTERBEKE 71B - 20.0 BED - LUBE OIL COOLER AND FILTER

REF	PN	NAME	REMARKS	QUAN
1	038193	CLAMP	HOSE 28	3
2	038848	HOSE	1-3/4 IN - INCHES REQUIRED	2
3	038591	TUBE	EXCHANGER TO PUMP	1
4	038603	HOSE	EXCHANGER TO TUBE	1
5	021516	HOSE	5/8 IN WIRE INSERTED - INCHES REQUIRED	27
6	011341	CLAMP	HOSE 8	4
7	035828	FILTER	LUBE OIL	1
8	038514	CONNECTOR	OIL COOLER	1
9	038582	COOLER	OIL	1
10	034663	NIPPLE	FILTER TO ADAPTER	1
11		CAPSCREW		1
12	031771	WASHER	7/16 FLAT	2
13	031770	LOCKWASHER	7/16	3
14	031691	CAPSCREW	7/16NF X 3-3/4	2
15	031772	NUT	7/16NF	1
16		BRACKET	INJECTION PUMP SUPPORT	1
17	038030	ADAPTER	LUBE OIL FILTER	1
18	038062	GASKET	LUBE OIL FILTER ADAPTER TO BLOCK	1

WESTERBEKE 71B - 20.0 BED - COOLING SYSTEM

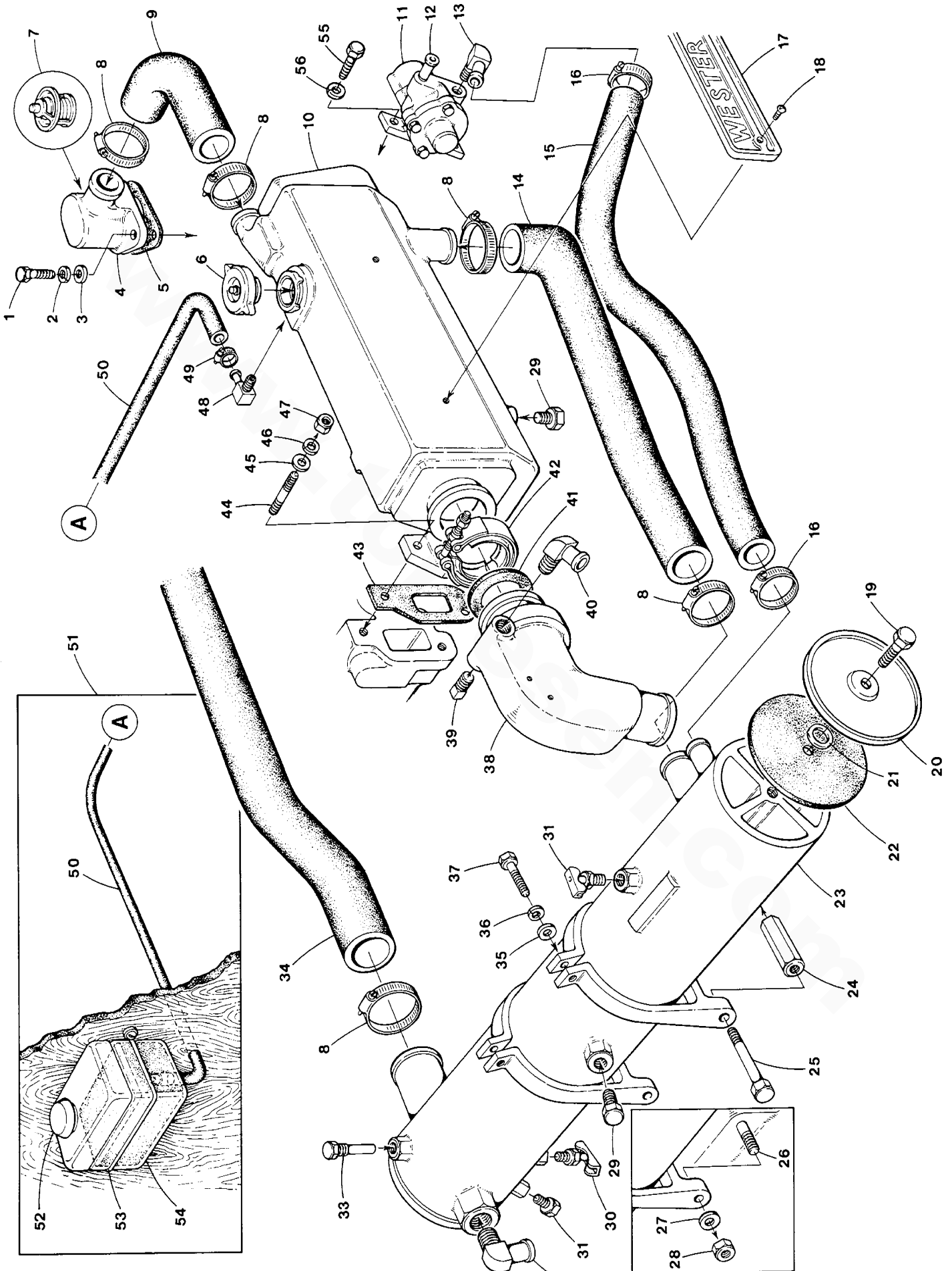


## WESTERBEKE 71B - 20.0 BED - COOLING SYSTEM

REF	PN	NAME	REMARKS	QUAN
1	031580	CAPSCREW	5/16NF X 1	3
2	031758	LOCKWASHER	5/16	3
3	031759	WASHER	5/16 FLAT	3
4	037622	HOUSING	THERMOSTAT	1
5	033373	GASKET	THERMOSTAT	1
6	024306	CAP	PRESSURE	1
7	024690	THERMOSTAT		1
8	038193	CLAMP	HOSE 28	5
9	038203	HOSE	THERMOSTAT TO MANIFOLD	1
10	037322	MANIFOLD	EXHAUST	1
11	038445	PUMP	SEA WATER	1
12	036614	NIPPLE	3/4NPT X 1" HOSE	1
13	036622	ELBOW	3/4NPT X 1" HOSE	1
14	037747	HOSE	MANIFOLD TO EXCHANGER	1
15	011779	HOSE	1" ID WIRE INSERTED - INCHES REQUIRED	30
16	011405	CLAMP	HOSE 16	4
17	035411	NAMEPLATE		1
18	031935	SCREW	8-32 X 1/4 SS OVAL HEAD	2
19	022852	CAPSCREW	3/8NC X 1/2 BRASS	2
20	022850	COVER	EXCHANGER END	2
21	019321	O-RING	EXCHANGER END COVER	2
22	022851	GASKET	EXCHANGER END COVER	2
23	038300	EXCHANGER	HEAT	1
24	039076	SPACER	EXCHANGER MOUNT - GENSET	2
25	013619	CAPSCREW	M 8 X 30 DIN 933 GENSET	2
26	015830	STUD	M 8 X 25 DIN 939 - PROPULSION	2
27	031786	LOCKWASHER	M 8 DIN 127 PROPULSION	2
28	018242	NUT	M 8 DIN 934 PROPULSION	2
29	035747	PLUG	1/2NPT BRASS SQUARE HEAD	2
30	011471	PETCOCK	1/8NPT	2
31	019369	PLUG	1/8NPT HEX HEAD BRASS	1
32	036614	ELBOW	3/4NPT X 1" HOSE	1
33	011885	ZINC		1
34	038603	HOSE	EXCHANGER TO FRESH WATER PUMP	1

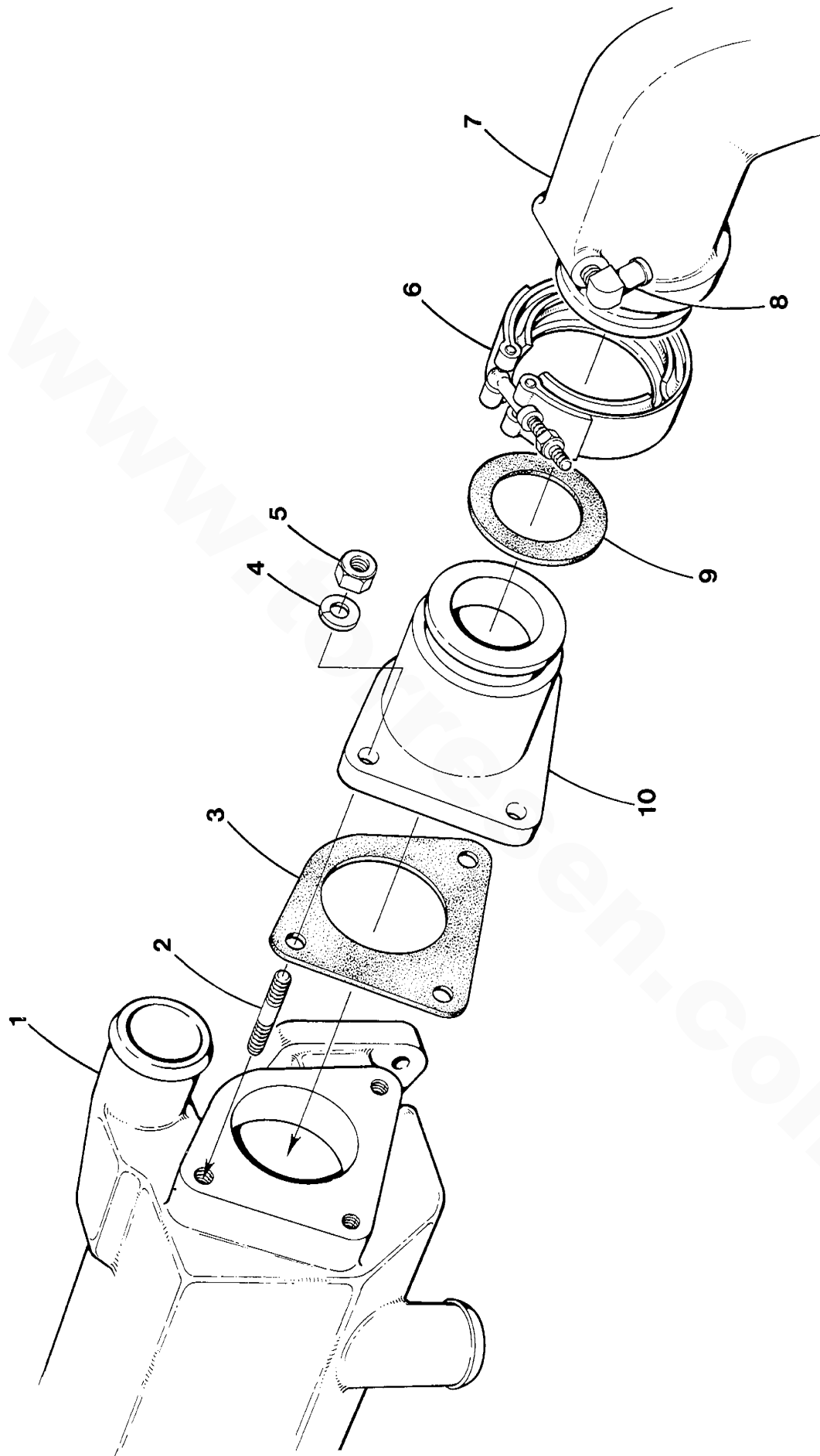


WESTERBEKE 71B - 20.0 BED - COOLING SYSTEM



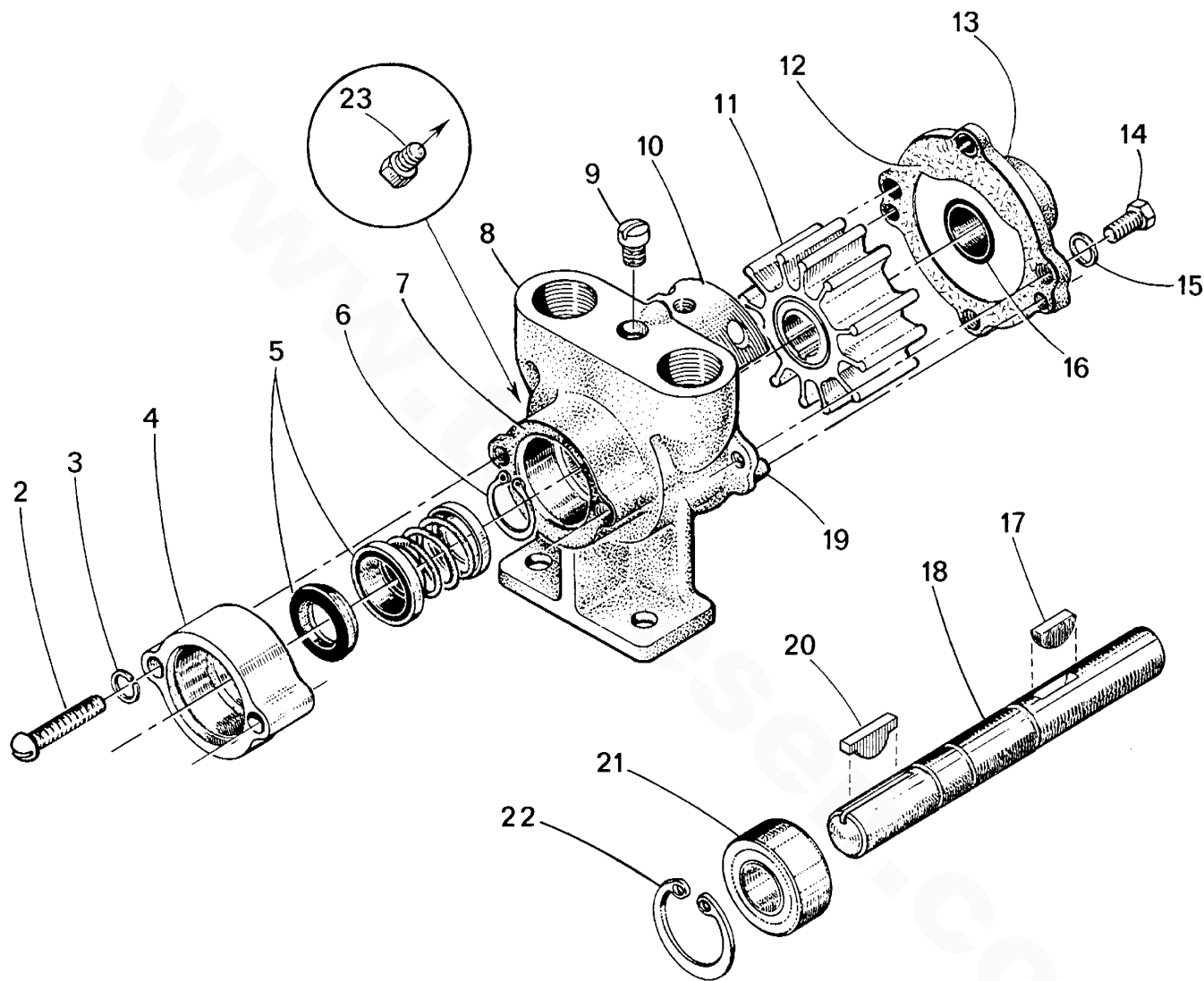
WESTERBEKE 71B - 20.0 BED - COOLING SYSTEM

REF	PN	NAME	REMARKS	QUAN
35	031753	WASHER	1/4 FLAT	2
36	031752	LOCKWASHER	1/4	2
37	031506	CAPSCREW	1/4NC X 1-1/4	2
38	038760	ELBOW KIT	WATER INJECTED INCL REF 38 THRU 42	1
39	036849	PLUG	3/4NPT BRASS SQUARE HEAD	1
40	036614	ELBOW	3/4NPT X 1" HOSE	1
41	038221	GASKET	EXHAUST ELBOW TO MANIFOLD	1
42	038153	CLAMP	EXHAUST ELBOW TO MANIFOLD	1
43	037745	GASKET	EXHAUST MANIFOLD TO HEAD	4
44	038510	STUD	EXHAUST MANIFOLD TO HEAD	8
45	031759	WASHER	5/16 FLAT	8
46	031758	LOCKWASHER	5/16	8
47	031756	NUT	5/16NC	8
48	024907	ELBOW	MANIFOLD TO RECOVERY TANK HOSE	1
49	024906	CLAMP	HOSE	2
50	024637	TUBING	MANIFOLD TO TANK - INCHES REQUIRED	60
51	024977	KIT	COOLANT RECOVERY TANK	1
52	024858	CAP	COOLANT RECOVERY TANK	1
53	024704	TANK	COOLANT RECOVERY	1
54	024786	STRAP	COOLANT RECOVERY TANK	1
55	031631	CAPSCREW	3/8NF X 1-1/4	2
56	031764	LOCKWASHER	3/8	2



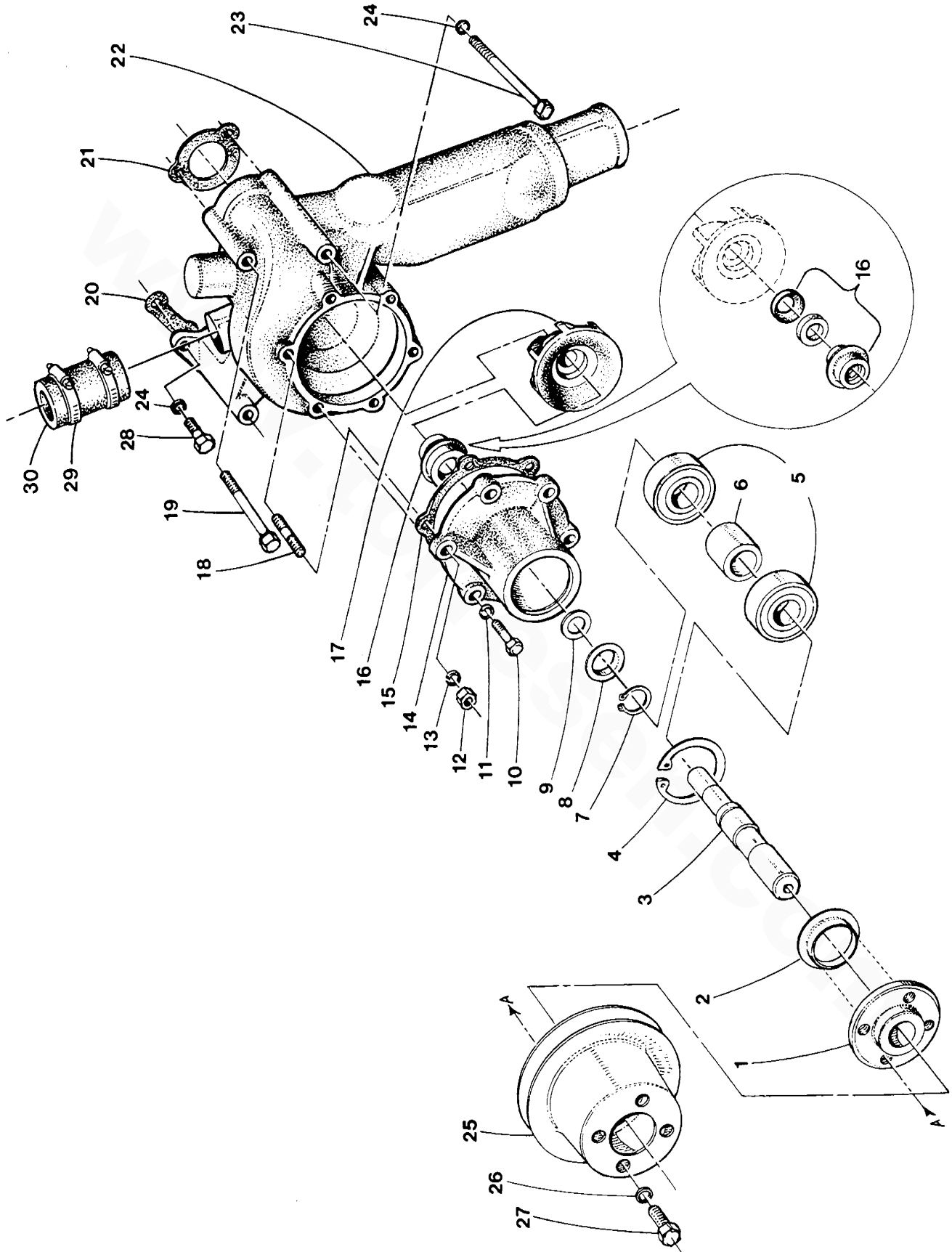
WESTERBEKE 71B FOUR - FRONT OPENING EXHAUST MANIFOLD

REF	PN	NAME	REMARKS	QUAN
1	039015	MANIFOLD	FRONT EXHAUST	1
2	037821	STUD	M10 X 30 DIN 939	3
3	037347	GASKET	MANIFOLD TO FLANGE	1
4	019262	LOCKWASHER	M10 DIN 127	3
5	015887	NUT	M10 DIN 934	3
6	038153	CLAMP	EXHAUST ELBOW TO FLANGE	1
7	039016	ELBOW KIT	WATER INJECTED EXHAUST INCL REF 6,7,8,9	1
8	036614	ELBOW	3/4NPT X 1" HOSE	1
9	038221	GASKET	EXHAUST ELBOW TO FLANGE	1
10	038862	FLANGE	MANIFOLD TO EXHAUST ELBOW	1



WESTERBEKE 71B - 20.0 BED - SEA WATER PUMP

REF	PN	NAME	REMARKS	QUAN
1	038445	PUMP	SEA WATER	1
2	018147	SCREW	BEARING HOUSING TO PUMP	2
3	032183	LOCKWASHER		2
4	018180	HOUSING	BEARING	1
5	014774	SEAL	INCLUDING SEAT	1
6	018145	RING	RETAINING	3
7	018154	GASKET	BEARING HOUSING TO PUMP HOUSING	1
8	039867	HOUSING	PUMP BODY	1
9	018151	SCREW	PUMP HOUSING TO CAM	1
10	018152	CAM		1
11	011907	IMPELLER	INCLUDING GASKET	1
12	011419	GASKET	IMPELLER COVER	1
13	018153	COVER	IMPELLER INCLUDING BUSHING	1
14	018143	CAPSCREW		4
15	032183	LOCKWASHER		4
16	018149	BUSHING	SHAFT END	1
17	018148	KEY	IMPELLER TO SHAFT	1
18	018164	SHAFT		1
19	018142	DOWEL	COVER TO PUMP HOUSING	2
20	022392	KEY	DRIVE PULLEY TO SHAFT	1
21	018144	BEARING		1
22	018146	RING	RETAINING	1
23	019369	PLUG	DRAIN	1
24	033329	KIT	PUMP REPAIR INCL 6,7,9,10,11,12,16,21,22	1

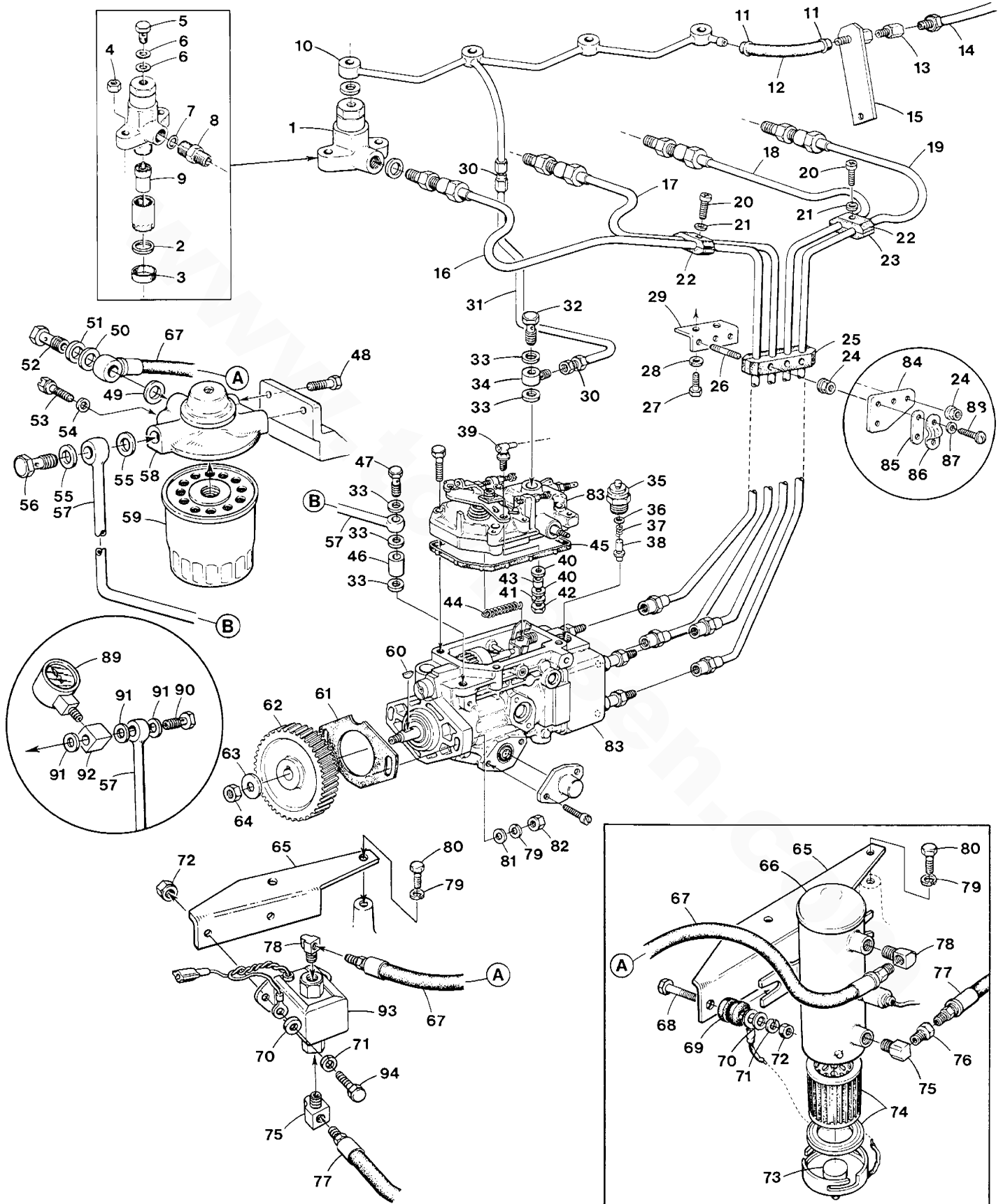


WESTERBEKE 71B - 20.0 BED - FRESH WATER PUMP

REF	PN	NAME	REMARKS	QUAN
1	024518	FLANGE	WATER PUMP PULLEY	1
2		PLATE	SEE REF 14	1
3		SHAFT	SEE REF 14	1
4	024413	RING	RETAINING	1
5	024568	BEARING		2
6	024477	SPACER	BEARING	1
7	024414	RING	RETAINING	1
8	024479	PLATE	DUST SEAL	1
9	024481	SLINGER		1
10	031527	CAPSCREW	1/4NF X 5/8	4
11	031752	LOCKWASHER	1/4	4
12	031754	NUT	1/4NF	2
13	031752	LOCKWASHER	1/4	2
14	024557	HOUSING	PUMP BEARING REF 1 THRU 9,14,16,17	1
15	024478	GASKET	BEARING HOUSING TO PUMP BODY	1
16	024480	SEAL		1
17		IMPELLER	SEE REF 14	1
18		STUD	1/4NF X 7/8	2
19	031590	CAPSCREW	5/16NF X 3-3/8	1
20	024474	GASKET		1
21	024473	GASKET		1
22	024541	BODY	FRESH WATER PUMP	1
23	031594	CAPSCREW	5/16NF X 4-1/2	1
24	031758	LOCKWASHER	5/16	4
25	024558	PULLEY	FRESH WATER PUMP	1
26	031758	LOCKWASHER	5/16	4
27	031576	CAPSCREW	5/16NF X 1/2	4
28	031580	CAPSCREW	5/16NF X 1	2
29	024415	HOSE	BYPASS	1
30	021878	CLAMP	HOSE 20	2



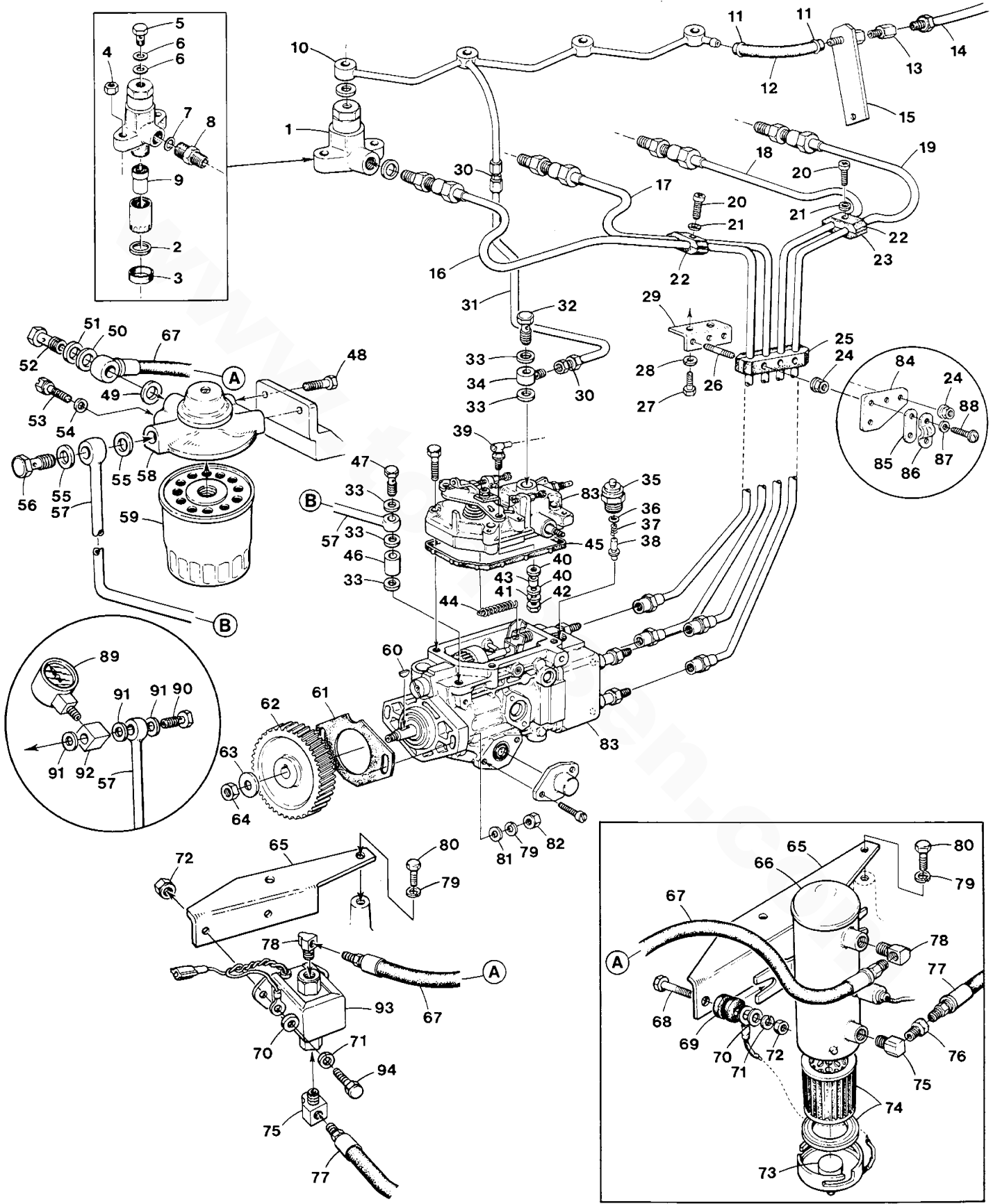
WESTERBEKE 71B - 20.0 BED - FUEL SYSTEM



WESTERBEKE 71B - 20.0 BED - FUEL SYSTEM

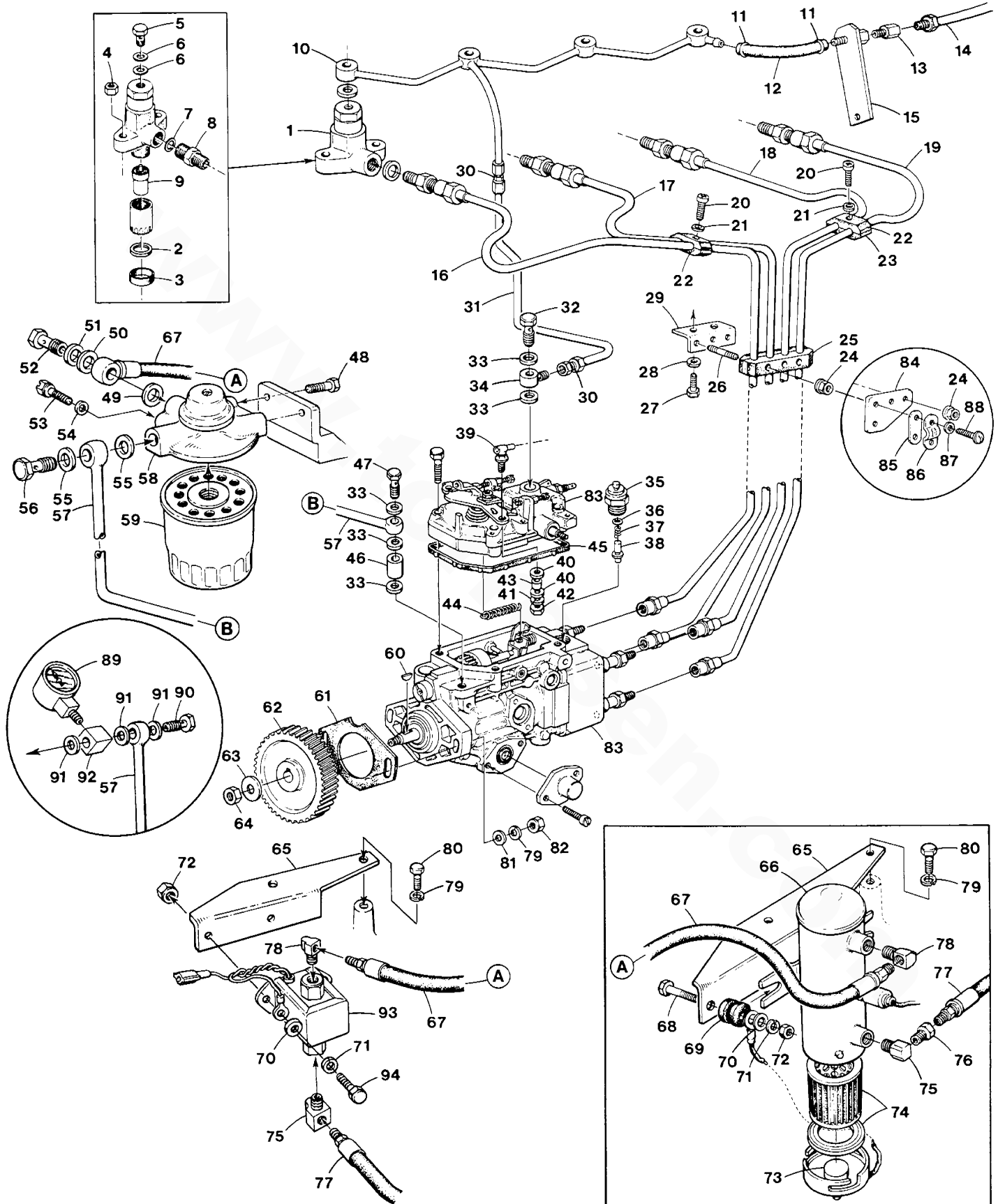
REF	PN	NAME	REMARKS	QUAN
1	024563	INJECTOR	ASSEMBLY EXCLUDING REF 2 THRU 4	4
2	024454	WASHER	INJECTOR NOZZLE	4
3	024527	SEAL	INJECTOR DUST	4
4	031760	NUT	5/16NF	8
5	024500	BOLT	BANJO-INJECTOR LEAK-OFF	4
6	011943	WASHER	BANJO	8
7	024499	WASHER		4
8	024505	ADAPTER	CONNECT FUEL LINE TO INJECTOR	4
9	024565	NOZZLE	INJECTOR	4
10	024526	LINE	INJECTOR RETURN	1
11	024906	CLAMP	HOSE	2
12	036869	HOSE	FUEL - INCHES REQUIRED	7
13	013346	CONNECTOR	MALE	1
14	024857	HOSE	FUEL RETURN	1
15	039158	CONNECTOR	FUEL RETURN ASSEMBLY	1
16	024529	LINE	INJECTOR 1	1
17	024530	LINE	INJECTOR 2	1
18	024531	LINE	INJECTOR 3	1
19	024532	LINE	INJECTOR 4	1
20	038914	CAPSCREW	M 5 X 25 DIN 84A PHILLIPS HEAD	2
21	031780	LOCKWASHER	M 5 DIN 127	6
22	038910	CLAMP	INJECTOR LINES	2
23	038911	CLAMP	INJECTOR LINES - TAPPED THREAD	2
24	018241	NUT	M 5 DIN 934	2
25	038912	CLAMP	INJECTOR LINES	2
26	038909	STUD	FUEL LINE CLAMPS TO BRACKET	2
27	031527	CAPSCREW	1/4NF X 5/8	2
28	031752	LOCKWASHER	1/4	2
29	024459	BRACKET	MANIFOLD TO INJECTOR LINE CLAMP	1
30-1	024600	UNION	COMPRESSION INCL NUTS AND FERRULES	2
30-2	013344	NUT	COMPRESSION 3/16	4
30-3	013343	FERRULE	COMPRESSION 3/16	4
31	032117	LINE	PUMP TO INJECTOR LEAK-OFF	1
32	024501	BOLT	BANJO-INJECTION PUMP OUTLET	1
33	024498	WASHER	BANJO	5
34	024502	BANJO	FUEL RETURN FROM PUMP	1
35-1	024338	SOLENOID	FUEL SHUT-OFF 12VDC INCL REF 37-38	1
35-2	031285	SOLENOID	FUEL SHUT-OFF 24VDC INCL REF 37-38	1
35-3	034913	SOLENOID	FUEL SHUT-OFF 12VDC UNGROUNDED	1
35-4	034992	SOLENOID	FUEL SHUT-OFF 24VDC UNGROUNDED	1
36	024339	O-RING	FUEL SOLENOID	1
37	032131	SPRING	FUEL SOLENOID PLUNGER	1
38	032114	PLUNGER	FUEL SOLENOID	1
39	019364	BALLJOINT	THROTTLE CABLE-PROPULSION	1
40	031848	WASHER	10 FLAT SS	2
41	031849	LOCKWASHER	10	1
42	031847	NUT	10-32 HEX SS	1
43	024673	SPACER	BALLJOINT TO THROTTLE LEVER	1

WESTERBEKE 71B - 20.0 BED - FUEL SYSTEM



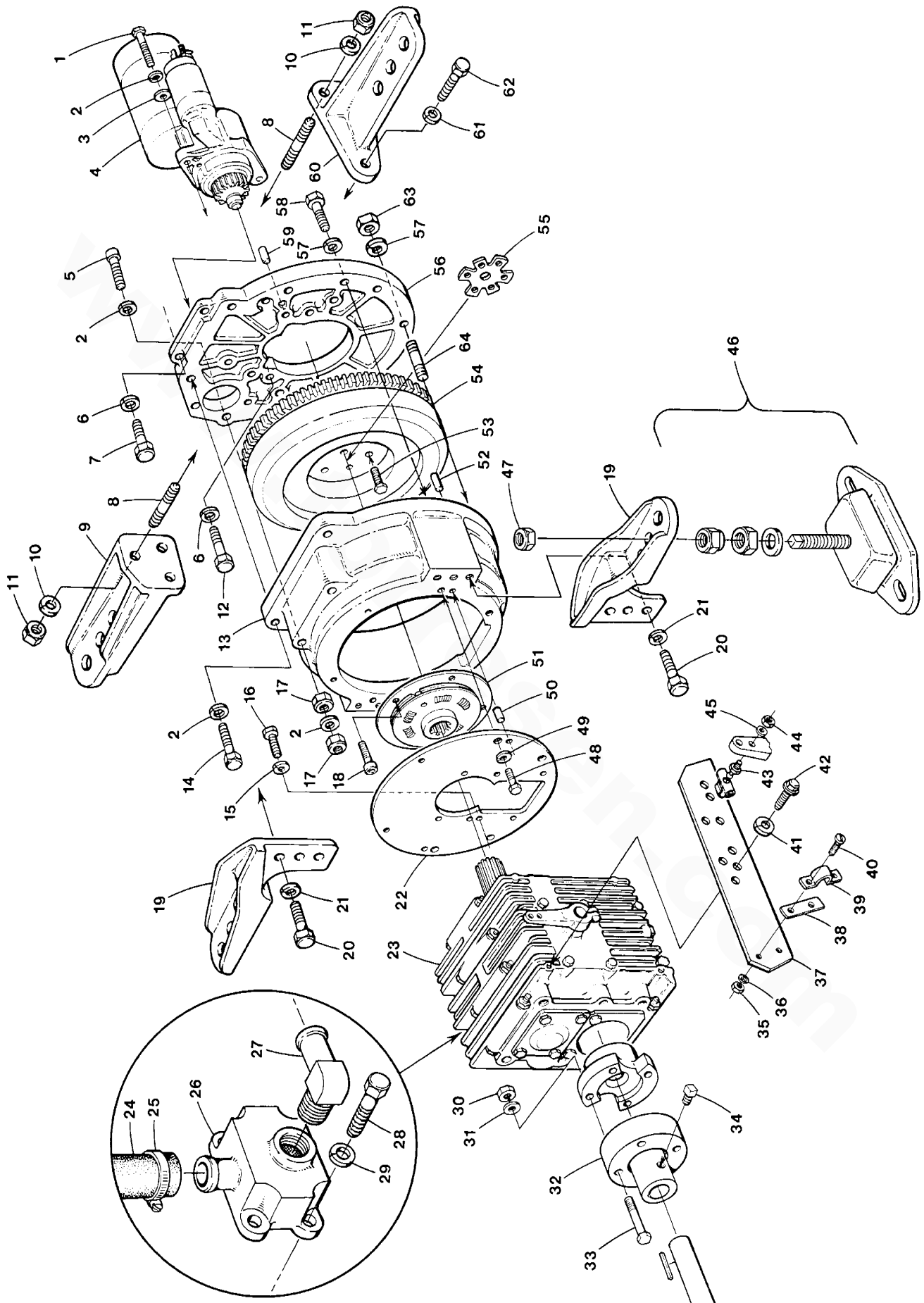
WESTERBEKE 71B - 20.0 BED - FUEL SYSTEM

REF	PN	NAME	REMARKS	QUAN
44-1	024537	SPRING	GOVERNOR-PROPULSION	1
44-2	024571	SPRING	GOVERNOR-GENSET WITH MECHANICAL GOVERNOR	1
44-3	024537	SPRING	GOVERNOR-GENSET WITH ELECTRONIC GOVERNOR	1
45	024542	GASKET	INJECTION PUMP GOVERNOR COVER	1
46	024504	SPACER	FUEL LINE TO PUMP INLET	1
47	024503	BOLT	BANJO-INJECTION PUMP INLET	1
48	031630	CAPSCREW	3/8NF X 1	2
49	030290	WASHER	BANJO M12	1
50	030291	WASHER	BANJO M14	1
51	024972	WASHER	BANJO M14 ALUMINUM	1
52	030139	BOLT	BANJO	1
53	032868	SCREW	BLEED	1
54	032869	WASHER	BLEED SCREW	1
55	024498	WASHER	BANJO M12 PROPULSION	2
56	024506	BOLT	BANJO-PROPULSION	1
57	024464	LINE	FILTER TO INJECTION PUMP	1
58	024549	FILTER	FUEL WITH PRIMING PUMP	1
59	024363	ELEMENT	FUEL FILTER	1
60	024515	KEY	WOODRUFF	1
61	024461	GASKET	INJECTION PUMP TO TIMING CASE	1
62	024533	GEAR	INJECTION PUMP DRIVE	1
63	031792	LOCKWASHER	M12 DIN 127	1
64	031791	NUT	M12 DIN 934	1
65	033066	BRACKET	LIFT PUMP	1
66-1	024831	PUMP	FUEL LIFT 12VDC REPLACED BY 039275	1
66-2	033721	PUMP	FUEL LIFT 24VDC	1
67	036372	HOSE	LIFT PUMP TO FILTER INCL ELBOW REF 78	1
68	031506	CAPSCREW	1/4NC X 1-1/4	2
69-1	039414	GROMMET	INCLUDED WITH LIFT PUMP	2
69-2	039415	SPACER	INCLUDED WITH LIFT PUMP	2
70	031753	WASHER	1/4 FLAT	2
71	031752	LOCKWASHER	1/4	2
72	031750	NUT	1/4NC	2
73	033792	MAGNET	LIFT PUMP	1
74	030548	ELEMENT	LIFT PUMP FILTER INCLUDING GASKET	1
75	013340	ELBOW	1/8NPT STREET 90 BRASS	1
76	015289	ADAPTER		1
77	030025	HOSE	FUEL SUPPLY INCL REF 76	1
78	022513	ELBOW	ADAPTER	1
79	031758	LOCKWASHER	5/16	4



WESTERBEKE 71B - 20.0 BED - FUEL SYSTEM

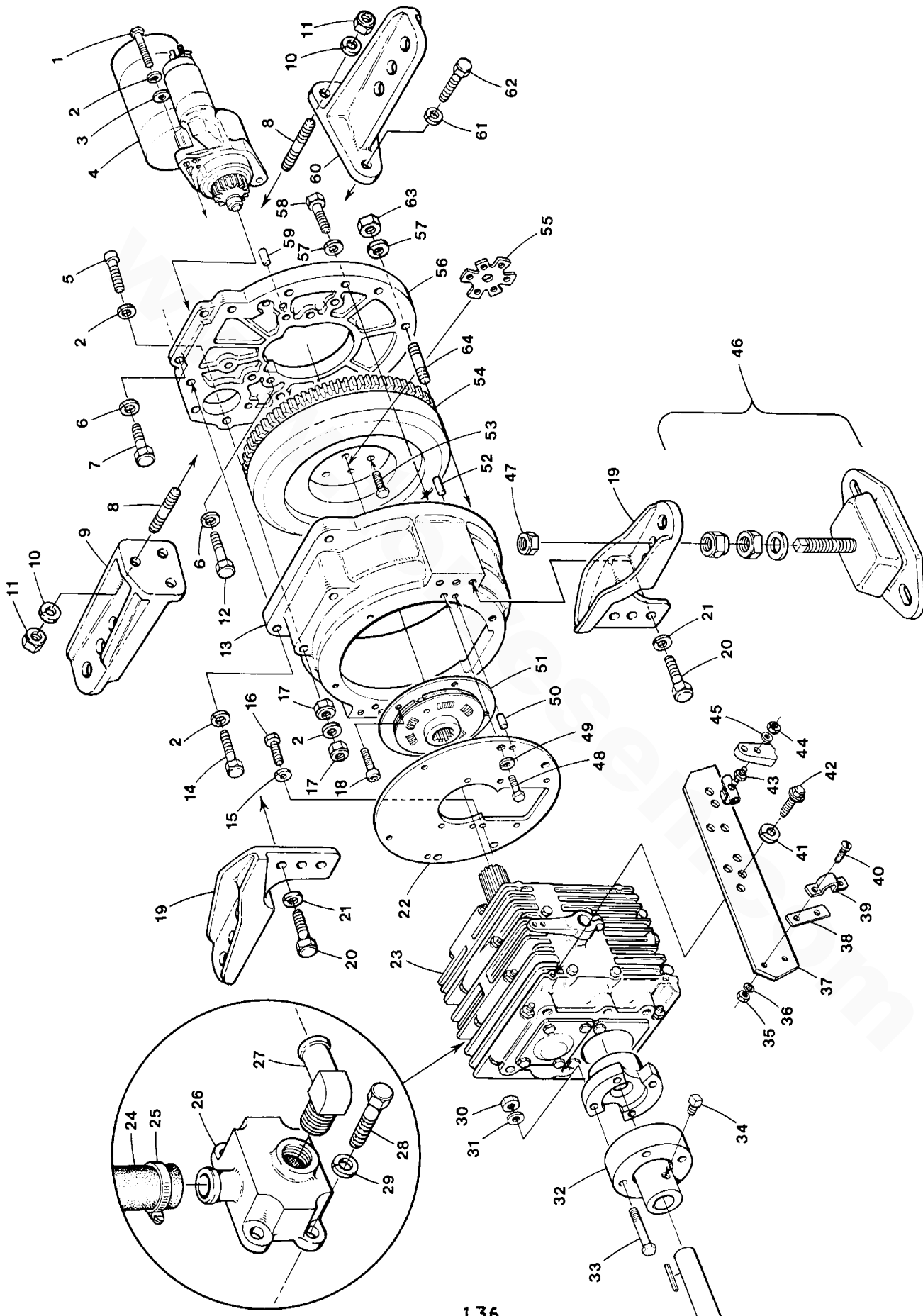
REF	PN	NAME	REMARKS	QUAN
80	031578	CAPSCREW	5/16NF X 3/4	2
81	031759	WASHER	5/16 FLAT	2
82	031760	NUT	5/16NF	2
83-1	024569	PUMP	FUEL INJECTION-PROPULSION	1
83-2	031286	PUMP	INJECTION-GENSET W/MECHANICAL GOVERNOR	1
83-3	024569	PUMP	INJECTION-GENSET W/ELECTRONIC GOVERNOR	1
84	038593	BRACKET	THROTTLE CABLE-PROPULSION	1
85	013870	SHIM	THROTTLE CABLE-PROPULSION	1
86	013325	CLAMP	THROTTLE CABLE-PROPULSION	1
87	031849	LOCKWASHER	10	2
88	031872	SCREW	10-32 X 1/2 SS	2
89-1	019369	PLUG	1/8NPT HEX HEAD BRASS	1
89-2	035827	GAUGE	FUEL PRESSURE-GENSET OPTIONAL	1
90	035950	BOLT	BANJO-FUEL PRESSURE GAUGE	1
91	030290	WASHER	BANJO M12	3
92	035949	BANJO	FUEL PRESSURE GAUGE-GENSET	1
93	039275	PUMP	FUEL LIFT 12VDC	1
94	031502	CAPSCREW	1/4NC X 5/8	2



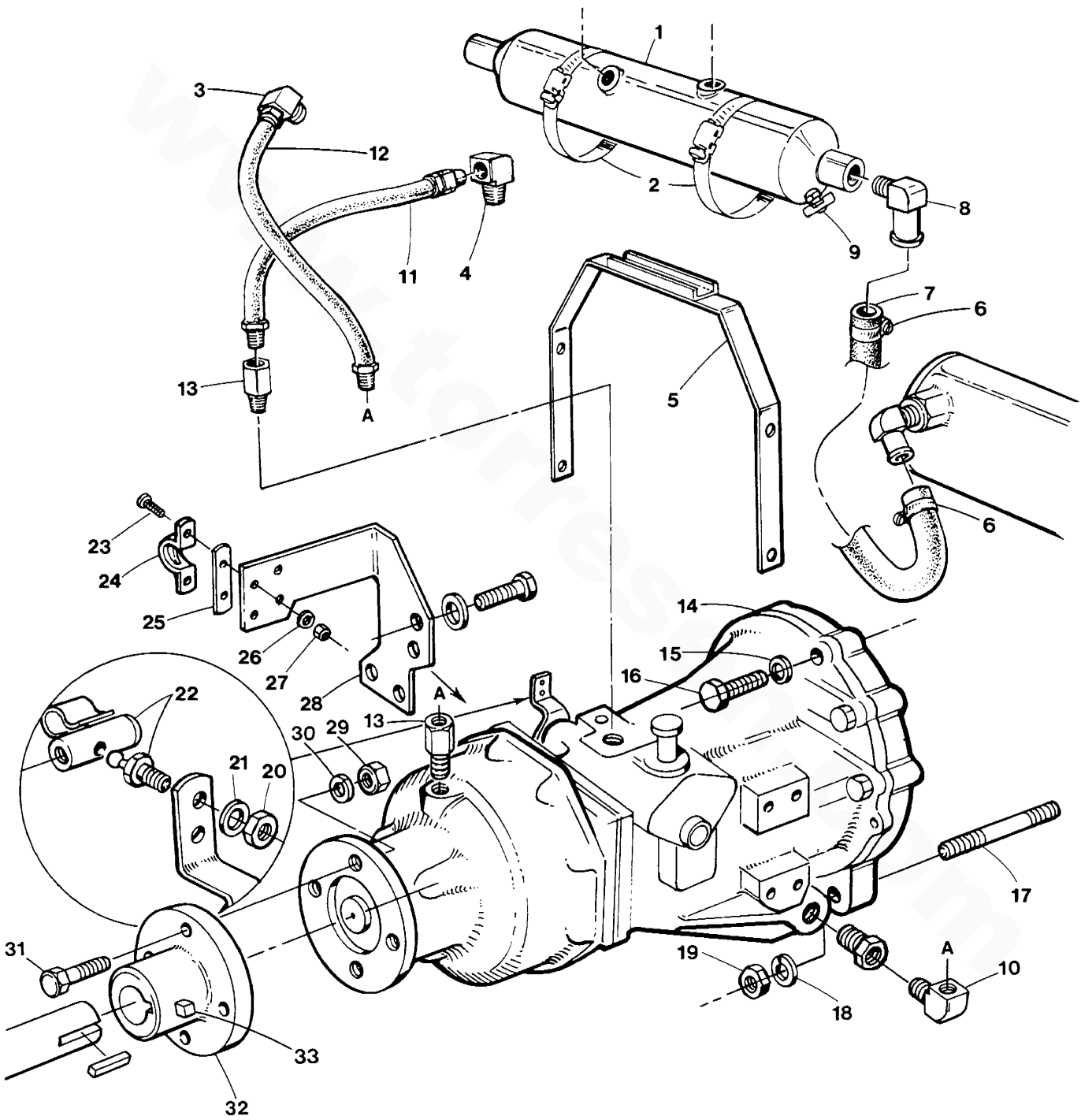
WESTERBEKE 71B FOUR - BACK END - MODEL HBW TRANSMISSION - MOUNTS

REF	PN	NAME	REMARKS	QUAN
1	024589	CAPSCREW	M10 X 30 DIN 933	1
2	019262	LOCKWASHER	M10 DIN 127	6
3	031789	WASHER	M10 DIN 125	8
4	030593	MOTOR	STARTER 12VDC	1
5	035307	CAPSCREW	M10 X 65 DIN 912 FULLY THREADED	1
6	031764	LOCKWASHER	3/8	8
7	031630	CAPSCREW	3/8NF X 1	3
8		STUD	7/16NF X 1-1/2	5
9	023954	MOUNT	FRONT RIGHT	1
10	031770	LOCKWASHER	7/16	5
12	031772	NUT	7/16NF	5
13	038294	HOUSING	FLYWHEEL	1
14	031926	CAPSCREW	M10 X 35 DIN 931	3
15	031790	LOCKWASHER	M10 DIN 137-B	6
16	018813	CAPSCREW	M10 X 20 DIN 933	6
17	015887	NUT	M10 DIN 934	2
18	024778	SCREW	DAMPER TO FLYWHEEL	5
19	038578	MOUNT	REAR	2
20	034589	CAPSCREW	M10 X 30 DIN 933	6
21	019262	LOCKWASHER	M10 DIN 127	6
22	038442	ADAPTER	HBW250 GEAR TO HOUSING	1
23-1	032564	GEAR	HBW250 1.5:1	1
23-2	032565	GEAR	HBW250 1.9:1	1
23-3	032566	GEAR	HBW250 2.7:1	1
24	011779	HOSE	1" ID WIRE INSERTED - INCHES REQUIRED	24
25	011405	CLAMP	HOSE 16	2
26	036648	COOLER	HBW TRANSMISSION	1
27	036614	ELBOW	3/4NPT X 1" HOSE	1
28	017196	CAPSCREW	M 8 X 20 DIN 933	4
29	031786	LOCKWASHER	M 8 DIN 127	4
30	024950	NUT	M10 X 1.25 DIN 934	4
31	019262	LOCKWASHER	M10 DIN 127	4
32-1	023706	COUPLING	HBW 0.75 IN BORE	1
32-2	023707	COUPLING	HBW 0.875 IN BORE	1
32-3	023708	COUPLING	HBW 1.0 IN BORE	1
32-4	023709	COUPLING	HBW 1.125 IN BORE	1
32-5	023710	COUPLING	HBW 1.25 IN BORE	1
32-6	023711	COUPLING	HBW 1.375 IN BORE	1
32-7	023712	COUPLING	HBW 1.5 IN BORE	1
33	031228	CAPSCREW	M10 X 1.25 X 30 DIN 961	4
34-1	023651	SETSCREW	COUPLING 3/8NC X 3/4	2
34-2	023652	SETSCREW	COUPLING 3/8NC X 1	2
35	031847	NUT	10-32 HEX SS	2
36	031849	LOCKWASHER	10	2
37	032161	BRACKET	SHIFT CABLE	1
38	013870	SHIM	SHIFT CABLE	1
39	013325	CLAMP	SHIFT CABLE	1
40	031873	SCREW	10-32 X 5/8 SS	2





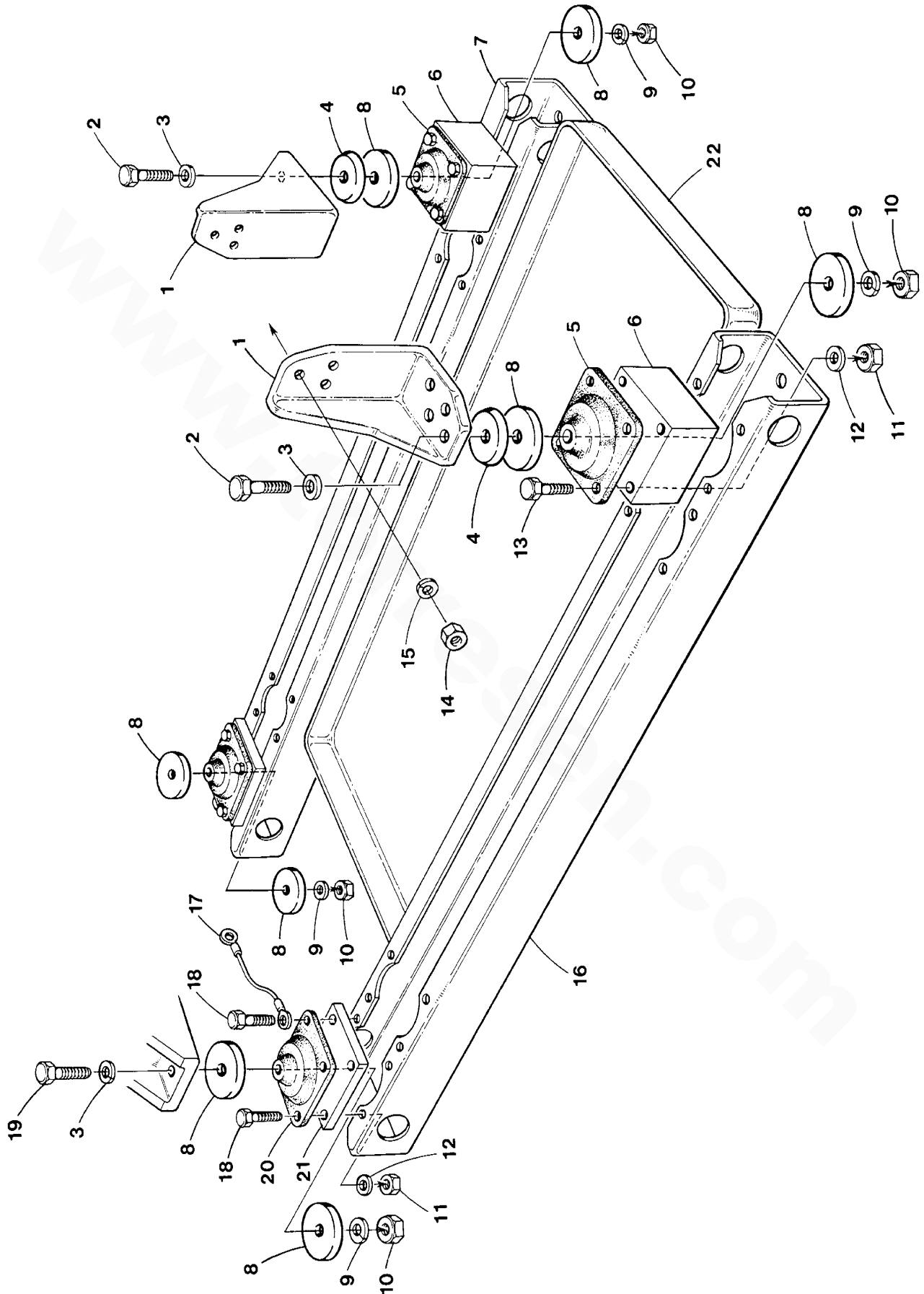
REF	PN	NAME	REMARKS	QUAN
41	031786	LOCKWASHER	M 8 DIN 127	2
42	020650	CAPSCREW	M 8 X 18 DIN 933	2
43	033482	BALL JOINT	SHIFT CABLE	1
44	031754	NUT	1/4NF	1
45	031752	LOCKWASHER	1/4	1
46	036334	ISOLATOR		4
47	036338	NUT	M16 DIN 985	4
48	013629	CAPSCREW	M10 X 25 DIN 933	6
49	019262	LOCKWASHER	M10 DIN 127	6
50	013919	DOWEL	ADAPTER TO HOUSING	2
51	011618	DAMPER	HBW250 & WARNER HYDRAULIC TRANSMISSIONS	1
52	019039	DOWEL	HOUSING TO BACKPLATE	2
53	024411	BOLT	FLYWHEEL	6
54-1	038008	FLYWHEEL	INCLUDING RING GEAR	1
54-2	037735	GEAR	RING	1
55	031166	TABWASHER		1
56	038006	BACKPLATE		1
57	019262	LOCKWASHER	M10 DIN 127	5
58	034590	CAPSCREW	M10 X 40 DIN 931	3
59	019309	DOWEL	BLOCK TO BACKPLATE	2
60	038858	MOUNT	FRONT RIGHT	1
61	031776	LOCKWASHER	1/2	1
62	031732	CAPSCREW	1/2NF X 1-1/2	1
63	015887	NUT	M10 DIN 934	2
64	037821	STUD	M10 X 30 DIN 939	2



## WESTERBEKE 71B FOUR - WARNER TRANSMISSION

REF	PN	NAME	REMARKS	QUAN
1	036650	COOLER	OIL	1
2	011411	CLAMP	HOSE 32 - MOUNT COOLER TO BRACKET	2
3	013330	ELBOW	COOLER TO HOSE	1
4	013338	ELBOW	3/8NPT STREET BRASS 90	1
5	013057	BRACKET	COOLER MOUNT TO TRANSMISSION	1
6	011405	CLAMP	HOSE 16	2
7	011779	HOSE	1" ID WIRE INSERTED - INCHES REQUIRED	16
8	036614	ELBOW	3/4NPT X 1" HOSE	2
9	011471	PETCOCK	1/8NPT	1
10	013330	ELBOW	HOSE TO TRANSMISSION	1
11	011921	HOSE	OIL	1
12-1	022114	HOSE	OIL - 1:1 AND 2:1 TRANSMISSION	1
12-2	023567	HOSE	OIL - REDUCTION TRANSMISSION EXCEPT 2:1	1
13-1	013348	CONNECTOR	HOSE TO TRANSMISSION EXCEPT 2:1	1
13-2	013348	CONNECTOR	HOSE TO 2:1 TRANSMISSION	2
14-1	011630	GEAR	HYDRAULIC 1:1	1
14-2	011631	GEAR	HYDRAULIC 1.5:1	1
14-3	037297	GEAR	HYDRAULIC 1.9:1 OPPOSITE ROTATION	1
14-4	011632	GEAR	HYDRAULIC 2:1	1
14-5	011633	GEAR	HYDRAULIC 2.5:1	1
14-6	011634	GEAR	HYDRAULIC 3:1	1
15	019262	LOCKWASHER	M10 DIN 127	4
16	035003	CAPSCREW	M10 X 80 DIN 931	4
17	035004	STUD	M10 X 70 DIN 939	2
18	019262	LOCKWASHER	M10 DIN 127	2
19	015887	NUT	M10 DIN 934	2
20	031754	NUT	1/4NF	1
21	031752	LOCKWASHER	1/4	1
22	033482	BALL JOINT	SHIFT CABLE	1
23	031873	SCREW	10-32 X 5/8 SS	2
24	013325	CLAMP	SHIFT CABLE	1
25	013870	SHIM	SHIFT CABLE	1
26	031849	LOCKWASHER	10	2
27	031847	NUT	10-32 HEX SS	2
28	032315	BRACKET	SHIFT CABLE	1
29	031768	NUT	7/16NC	4
30	031770	LOCKWASHER	7/16	4
31	031655	CAPSCREW	7/16NC X 1	4
32- 1	023706	COUPLING	DIRECT DRIVE 0.75 IN BORE	1
32- 2	023707	COUPLING	DIRECT DRIVE 0.875 IN BORE	1
32- 3	023708	COUPLING	DIRECT DRIVE 1.0 IN BORE	1
32- 4	023709	COUPLING	DIRECT DRIVE 1.125 IN BORE	1
32- 5	023710	COUPLING	DIRECT DRIVE 1.25 IN BORE	1
32- 6	023711	COUPLING	DIRECT DRIVE 1.375 IN BORE	1
32- 7	023712	COUPLING	DIRECT DRIVE 1.5 IN BORE	1
32- 8	023686	COUPLING	REDUCTION 1.0 IN BORE	1
32- 9	023687	COUPLING	REDUCTION 1.125 IN BORE	1
32-10	023688	COUPLING	REDUCTION 1.25 IN BORE	1
32-11	023689	COUPLING	REDUCTION 1.375 IN BORE	1
32-12	023690	COUPLING	REDUCTION 1.5 IN BORE	1
33-1	023651	SETSCREW	COUPLING 3/8NC X 3/4	2
33-2	023652	SETSCREW	COUPLING 3/8NC X 1	2
33-3	023653	SETSCREW	COUPLING 3/8NC X 1-1/4	2

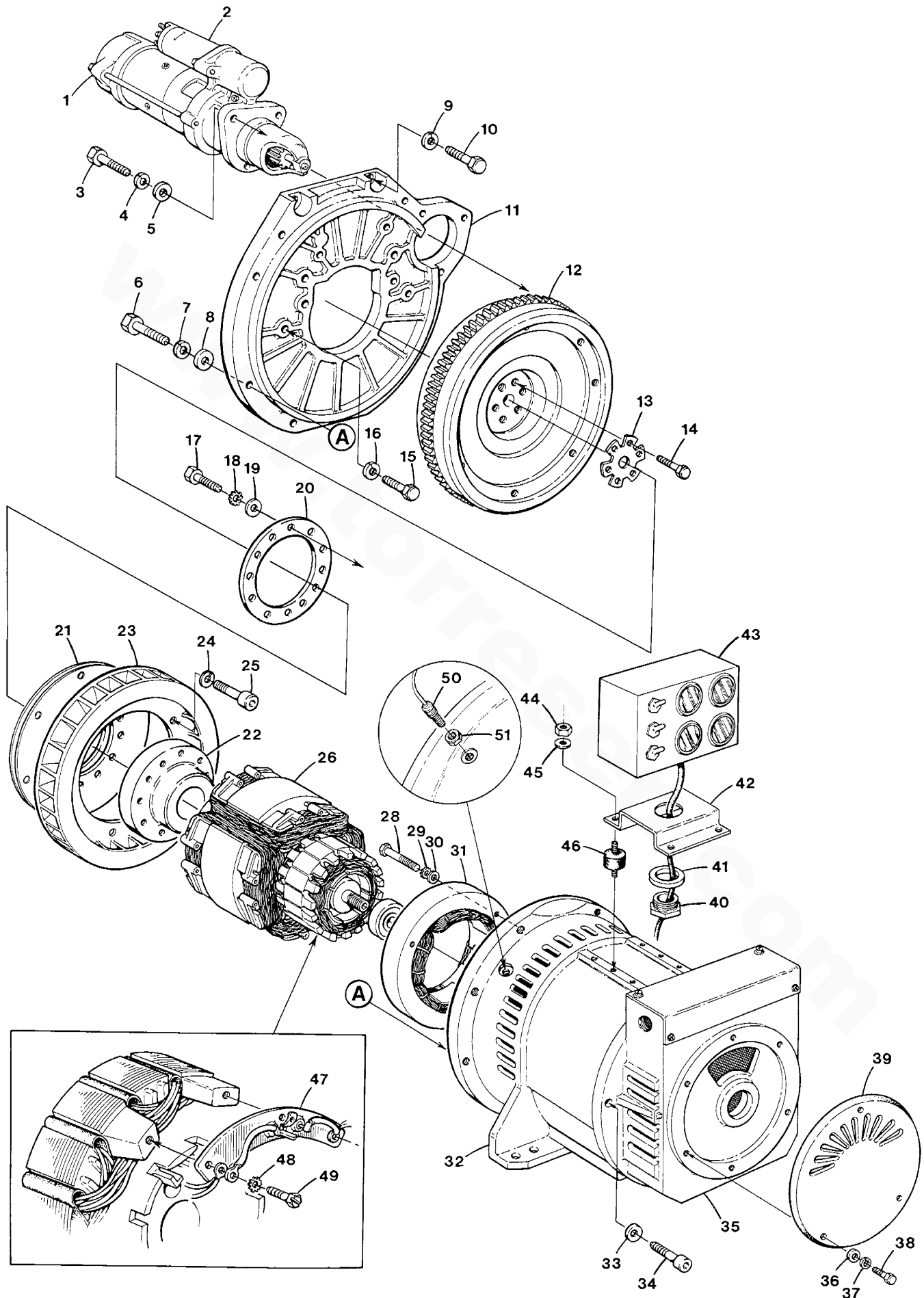
WESTERBEKE 20.0 BED - MOUNTING SYSTEM



WESTERBEKE 20.0 BED - MOUNTING SYSTEM

REF	PN	NAME	REMARKS	QUAN
1	037788	MOUNT	FRONT	2
2	031714	CAPSCREW	1/2NC X 3-1/4	2
3	031777	WASHER	1/2 FLAT	4
4	033530	SHIELD	ISOLATOR	2
5	015238	ISOLATOR		2
6	039367	SPACER	ISOLATOR TO RAIL	2
7	039226	RAIL	ASSEMBLY LEFT INCLUDING ISOLATORS	1
8	024674	WASHER	ISOLATOR SNUBBING	8
9	031776	LOCKWASHER	1/2	4
10	031774	NUT	1/2NC	4
11	031756	NUT	5/16NC	16
12	031758	LOCKWASHER	5/16	16
13	031564	CAPSCREW	5/16NC X 3-1/4	8
14	031772	NUT	7/16NF	6
15	031770	LOCKWASHER	7/16	6
16	039227	RAIL	ASSEMBLY RIGHT INCL ISOLATRS & GND STRAP	1
17	034713	STRAP	GROUND	1
18	031557	CAPSCREW	5/16NC X 1-1/2	8
19	031718	CAPSCREW	1/2NC X 4-1/4	2
20	015239	ISOLATOR		2
21	035271	SPACER	ISOLATOR TO RAIL	2
22	038698	DRIPTRAY		1

WESTERBEKE 20.0 BED - BACK END - GENERATOR

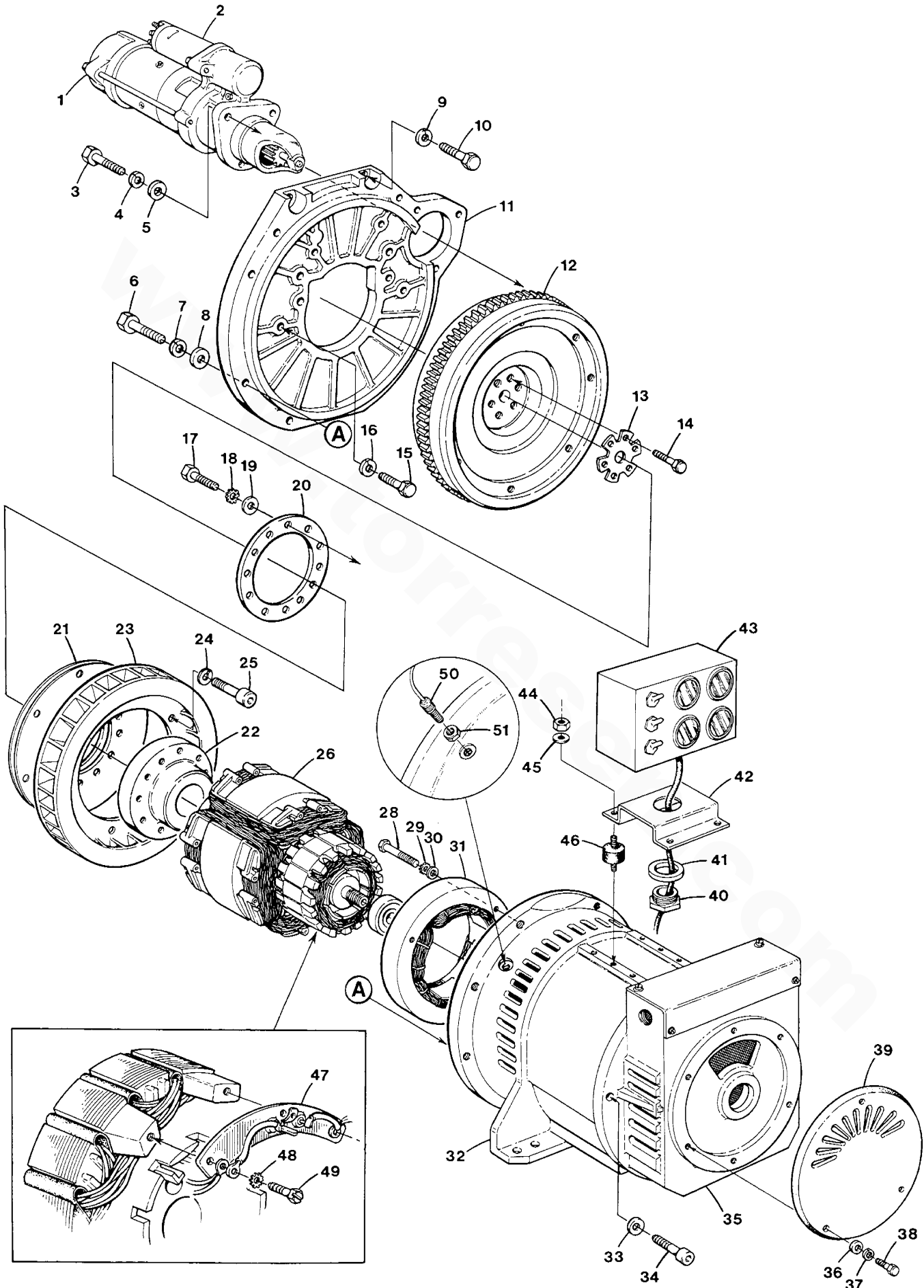


## WESTERBEKE 20.0 BED - BACK END - GENERATOR

REF	PN	NAME	REMARKS	QUAN
1	038384	MOTOR	STARTER 12 VDC	1
2	039523	SOLENOID	STARTER MOTOR 38384	1
3	013631	CAPSCREW	M10 X 55 DIN 933	3
4	019262	LOCKWASHER	M10 DIN 127	3
5	031789	WASHER	M10 DIN 125	3
6	034470	CAPSCREW	M10 X 45 DIN 931	7
7	019262	LOCKWASHER	M10 DIN 127	7
8	031789	WASHER	M10 DIN 125	7
9	031764	LOCKWASHER	3/8	3
10	031630	CAPSCREW	3/8NF X 1	3
11	038427	BACKPLATE		1
12-1	038388	FLYWHEEL	INCLUDING RING GEAR	1
12-2	038392	GEAR	RING	1
13	031166	TABWASHER		1
14	024411	BOLT	FLYWHEEL	6
15	031631	CAPSCREW	3/8NF X 1-1/4	5
16	031764	LOCKWASHER	3/8	5
17	013629	CAPSCREW	M10 X 25 DIN 933	10
18	019262	LOCKWASHER	M10 DIN 127	10
19	031789	WASHER	M10 DIN 125	10
20	039869	PLATE	DRIVE DISC TO HUB	1
21	039785	DISC	DRIVE	4
22	039668	HUB	DRIVE	1
23	039637	FAN		1
24	019262	LOCKWASHER	M10 DIN 127	8
25	039318	CAPSCREW	M10 X 25 DIN 912	8
26-1	039636	ARMATURE	1 PHASE	1
26-2	039784	ARMATURE	3 PHASE	1
27	039638	BEARING	BALL	1
28	030146	CAPSCREW	M 6 X 55 DIN 931	3
29	031783	LOCKWASHER	M 6 DIN 127	3
30	031784	WASHER	M 6 DIN 125	3
31	039639	STATOR	EXCITER	1
32-1	039630	GENERATOR	1 PHASE	1
32-2	039665	STATOR	1 PHASE	1
32-3	039642	STATOR	INCLUDING HOUSING 1 PHASE	1
32-4	039868	GENERATOR	3 PHASE	1
32-5	039870	STATOR	3 PHASE	1
32-6	039873	STATOR	INCLUDING HOUSING 3 PHASE	1
33	031915	LOCKWASHER	M10 DIN 6797A	3
34	039871	CAPSCREW	M10 X 35 DIN 912	3
35	039669	HOUSING	GENERATOR END	1

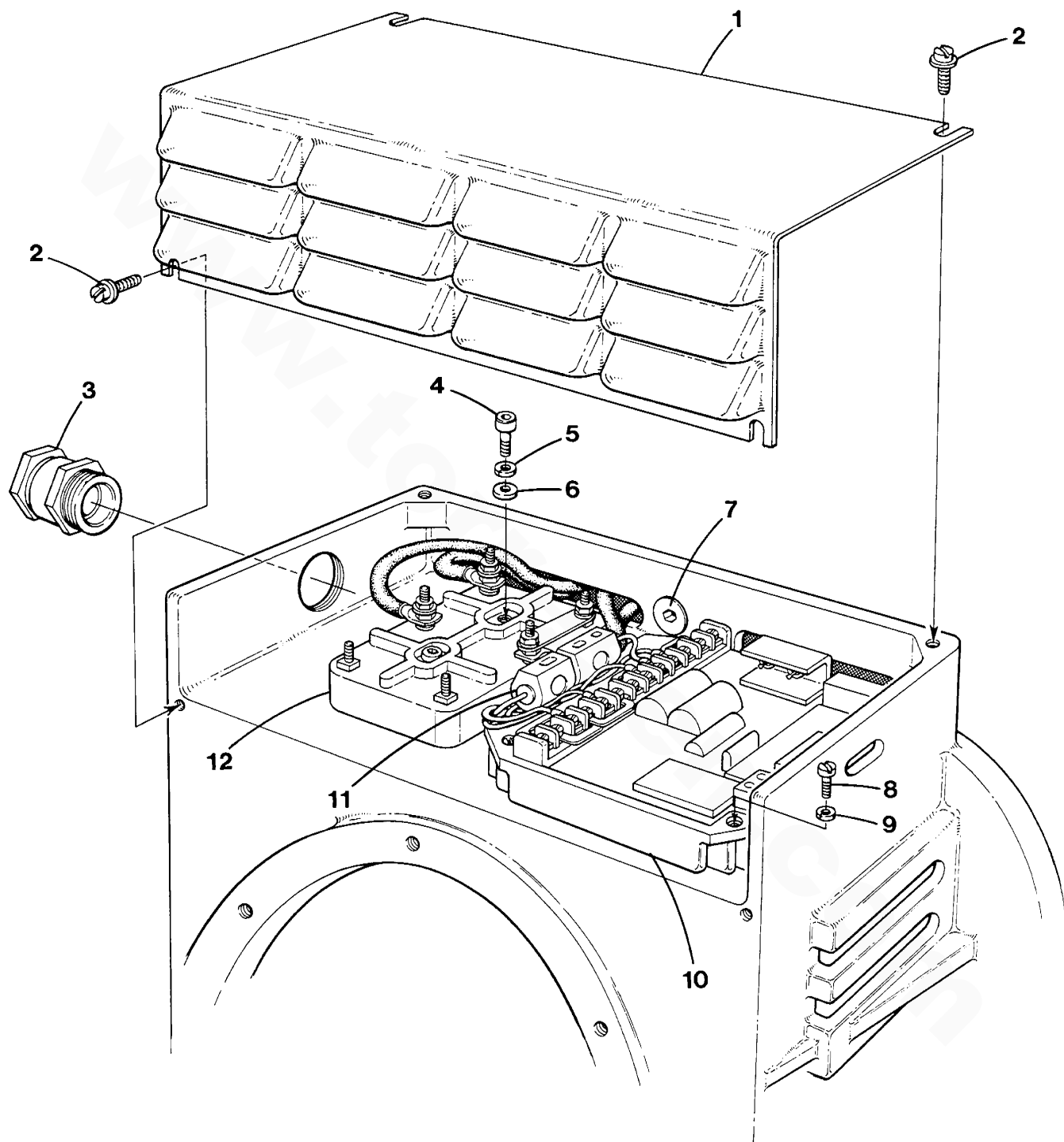


WESTERBEKE 20.0 BED - BACK END - GENERATOR



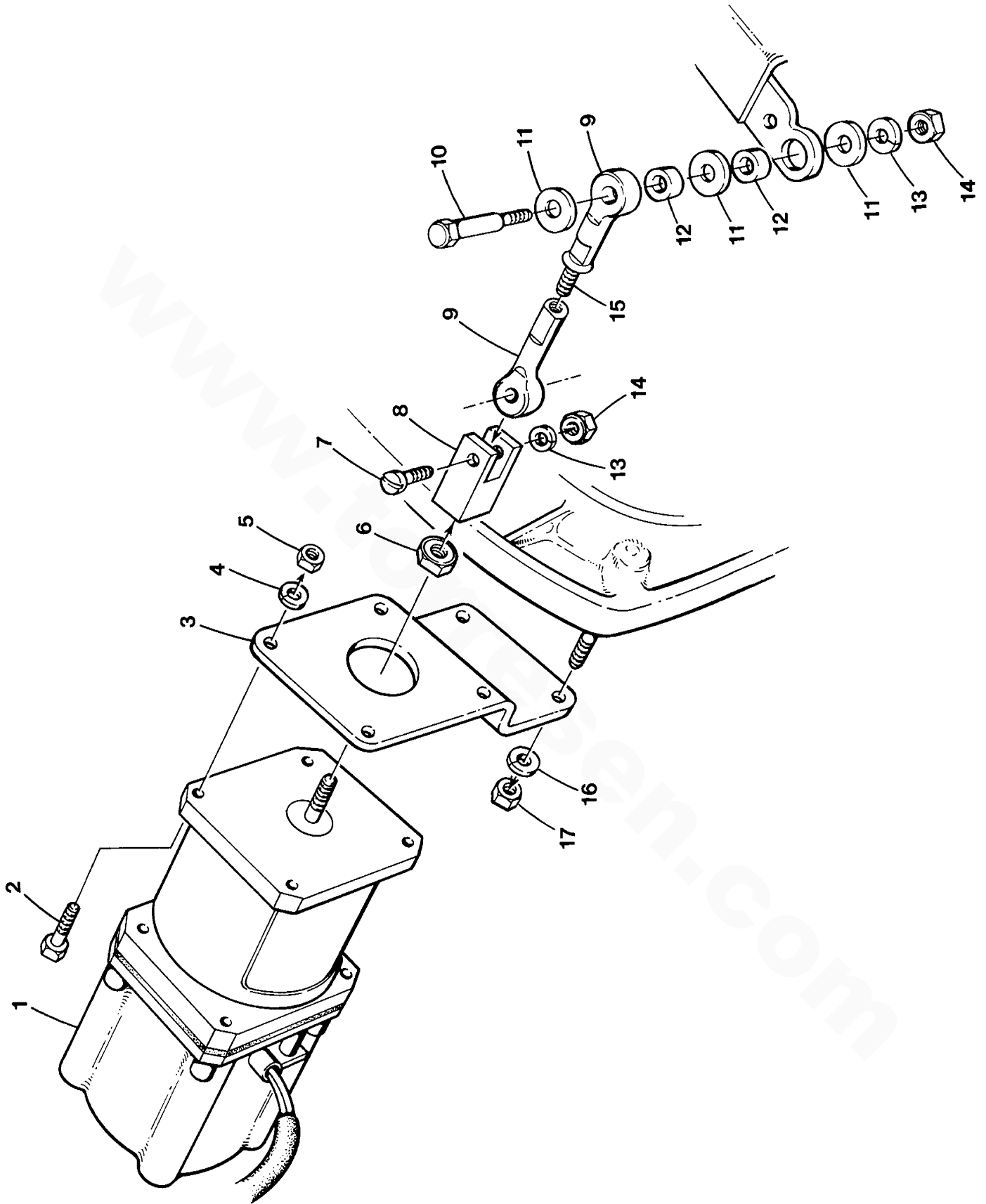
## WESTERBEKE 20.0 BED - BACK END - GENERATOR

REF	PN	NAME	REMARKS	QUAN
36	031789	WASHER	M10 DIN 125	3
37	019262	LOCKWASHER	M10 DIN 127	3
38	013629	CAPSCREW	M10 X 25 DIN 933	3
39	039074	COVER	PTO	1
40	036464	NIPPLE	CHASE INCLUDED WITH PANEL BOX ASSEMBLY	1
41	036492	RING	SEALING INCLUDED WITH PANEL BOX ASSEMBLY	1
42	036730	BRACKET	PANEL MOUNT INCLUDED WITH PANEL BOX ASSY	1
43		PANEL	REFER TO PANEL PAGE	1
44	015812	NUT	M 6 DIN 934	4
45	031783	LOCKWASHER	M 6 DIN 127	4
46	036652	ISOLATOR	PANEL MOUNT	4
47	039666	DIODE	ASSEMBLY	3
48	031914	LOCKWASHER	M 5 DIN 6797A	9
49	031931	SCREW	M 5 X 16 DIN 84A	9
50	039172	SENSOR	MAGNETIC	1
51		NUT		1

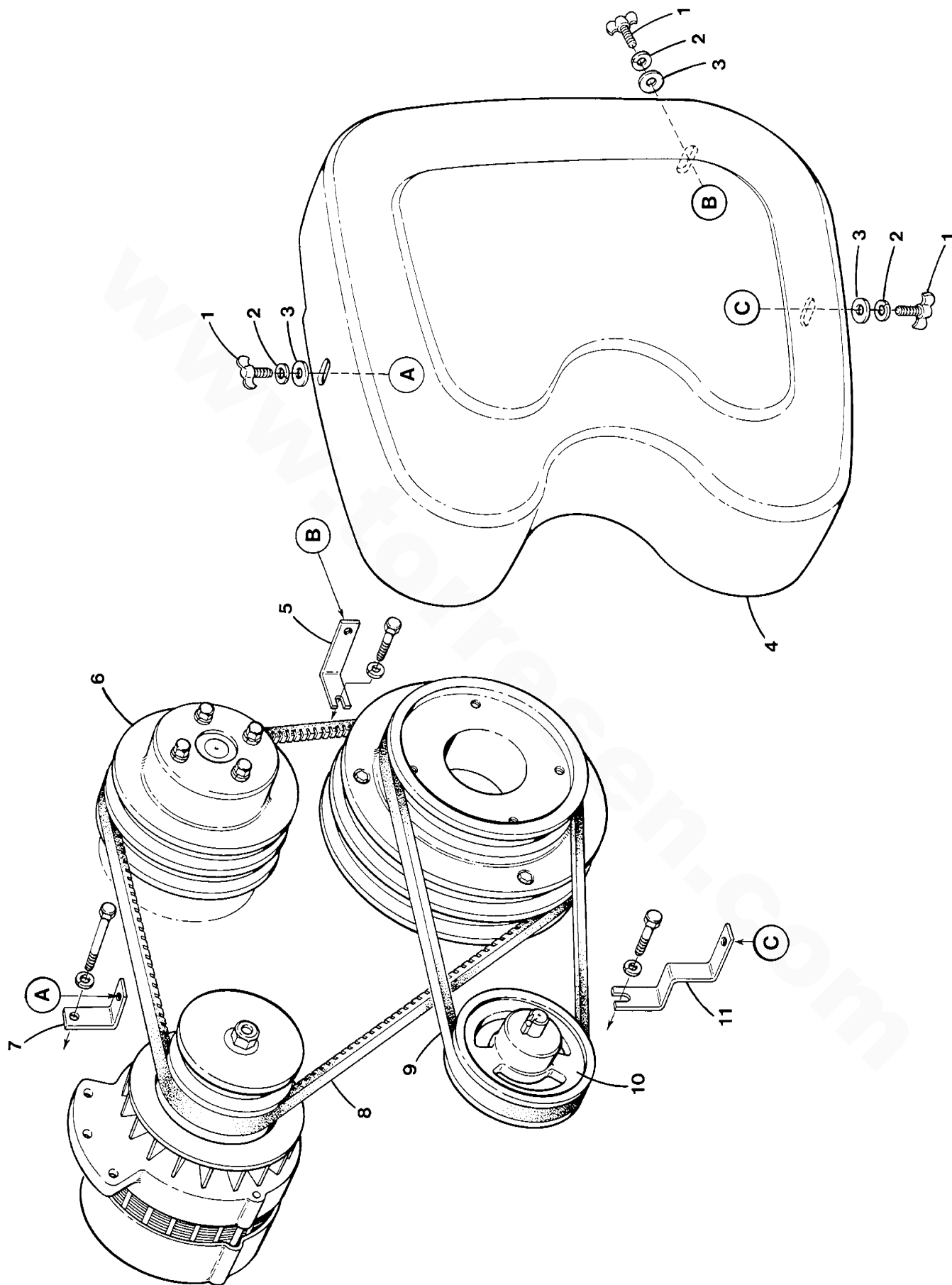


WESTERBEKE 20.0 BED - AC OUTPUT AND REGULATOR

REF	PN	NAME	REMARKS	QUAN
1	038985	COVER	AC OUTPUT	1
2	031918	SCREW	M 5 X 10 DIN 84A	4
3	036737	CONNECTOR	BOX 1-1/2 - AC OUTPUT LEADS	1
4	039874	CAPSCREW	M 6 X 20 DIN 912	2
5	031783	LOCKWASHER	M 6 DIN 127	2
6	031784	WASHER	M 6 DIN 125	2
7	039872	CAPSCREW	M10 X 35 DIN 7991	1
8	039875	SCREW	M 4 X 25 DIN 84A	4
9	031917	LOCKWASHER	M 4 DIN 6797A	4
10	039640	REGULATOR	VOLTAGE	1
11-1	039667	HOLDER	FUSE	1
11-2	038471	FUSE		1
12-1	039632	BLOCK	TERMINAL AC OUTPUT	1
12-2	039633	BAR	BUSS	AR
12-3	039634	NUT	M 8 BRASS	AR
13-1	039306	LABEL	AC OUTPUT 1 PHASE	1
13-2	039686	LABEL	AC OUTPUT 3 PHASE	1
14-1	039152	KIT	OPTIONAL AC OUTPUT CIRC BREAKER 60HZ 1PH	1
14-2	039697	KIT	OPTIONAL AC OUTPUT CIRC BREAKER 50HZ 1PH	1



REF	PN	NAME	REMARKS	QUAN
1-1	303007	ACTUATOR	GOVERNOR 12VDC	1
1-2	039746	ACTUATOR	GOVERNOR 24VDC	1
2	018804	CAPSCREW	M 6 X 20 DIN 933	4
3	039280	BRACKET	ACTUATOR	1
4	031783	LOCKWASHER	M 6 DIN 127	4
5	015812	NUT	M 6 DIN 934	4
6	031801	NUT	M 6 DIN 439 JAM	1
7	031875	SCREW	10-32 X 7/8 SS	1
8	303009	CLEVIS	ACTUATOR	1
9	303012	BALLJOINT		2
10	031875	SCREW	10-32 X 7/8 SS	1
11	031848	WASHER	10 FLAT SS	3
12	024673	SPACER		2
13	031849	LOCKWASHER	10	2
14	031847	NUT	10-32 HEX SS	2
15	039296	ROD	THREADED 10-32 X 1	1
16	031758	LOCKWASHER	5/16	2
17	031760	NUT	5/16NF	2

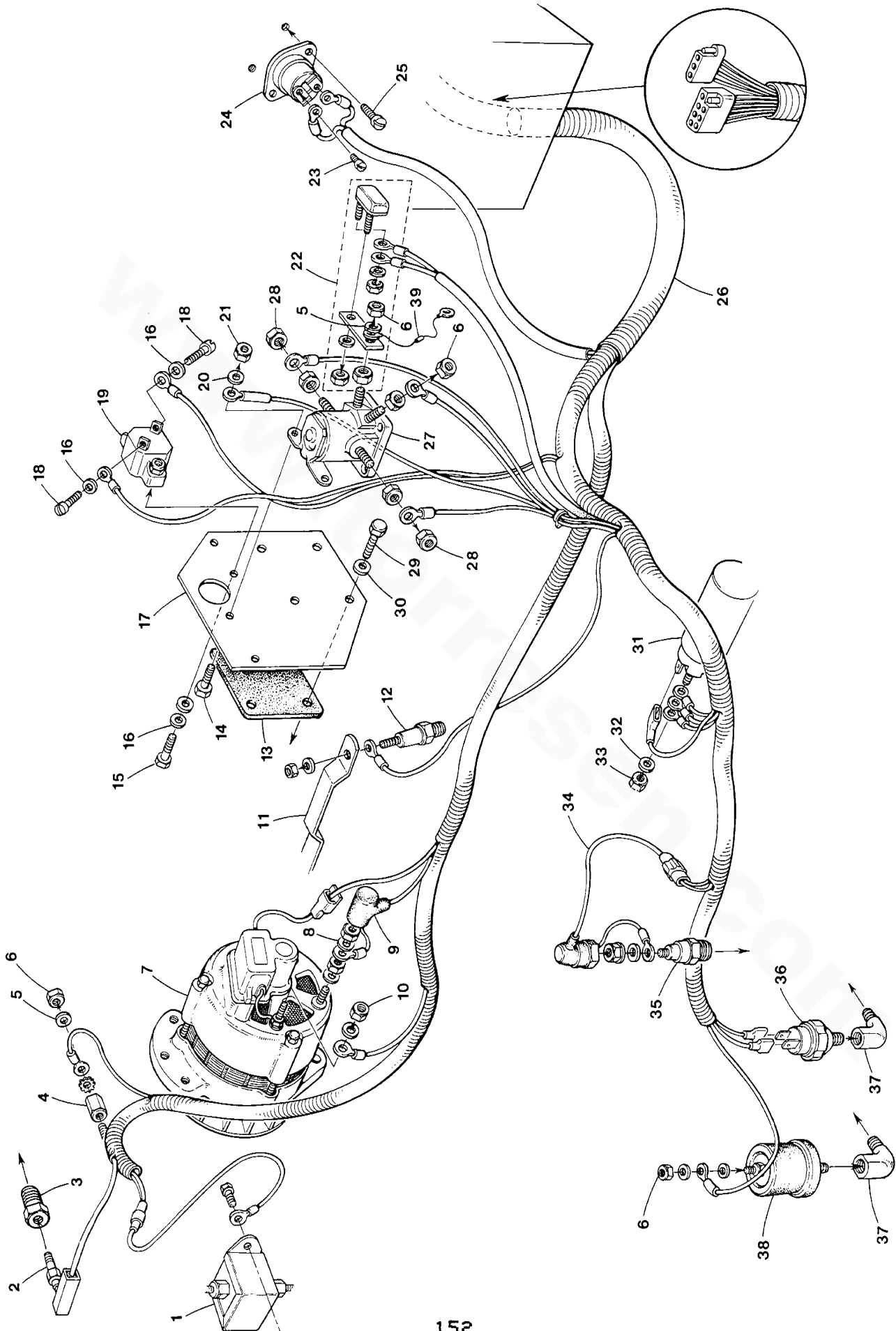


WESTERBEKE 71B - 20.0 BED - BELTS - BELT GUARD

REF	PN	NAME	REMARKS	QUAN
1	033228	WINGSCREW	10-32 X 1/2	3
2	031849	LOCKWASHER	10	3
3	033372	WASHER	FLAT	3
4	033061	GUARD	GENSET BELT	1
5	033374	BRACKET	BELT GUARD	1
6-1	024558	PULLEY	FRESH WATER PUMP 1 GROOVE	1
6-2	024108	PULLEY	FRESH WATER PUMP 2 GROOVE	1
6-3	038692	PULLEY	FRESH WATER PUMP 4 GROOVE	1
7	038604	BRACKET	BELT GUARD TOP	1
8-1	032977	BELT	50 AMP ALTERNATOR	1
8-2		BELT	135 AMP ALTERNATOR	2
8-3	033361	BELT	160-190 AMP ALTERNATOR	2
9-1	031152	BELT	SEA WATER PUMP-PROPULSION	1
9-2	011361	BELT	SEA WATER PUMP-GENSET	1
10-1	011371	PULLEY	SEA WATER PUMP-PROPULSION	1
10-2	038865	PULLEY	SEA WATER PUMP-GENSET	1
11	033376	BRACKET	BELT GUARD	1



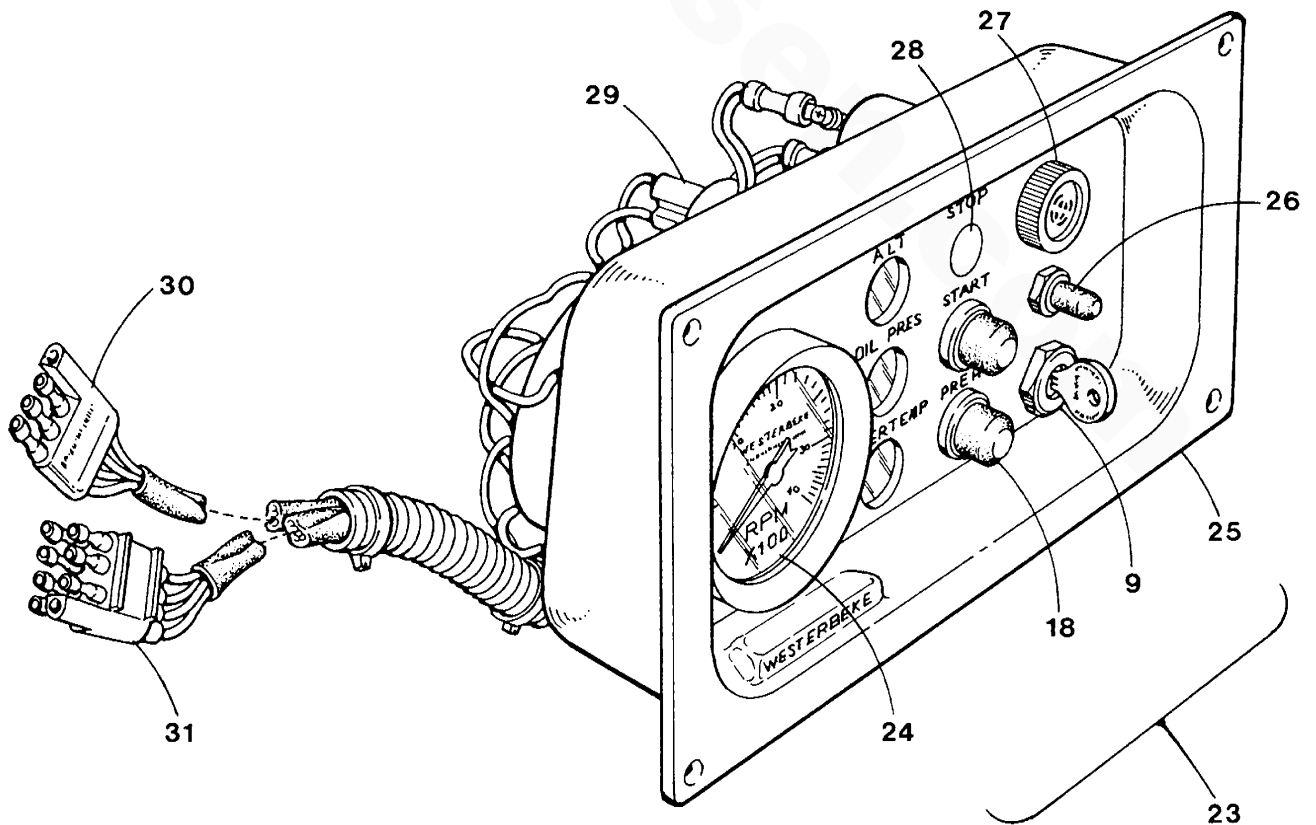
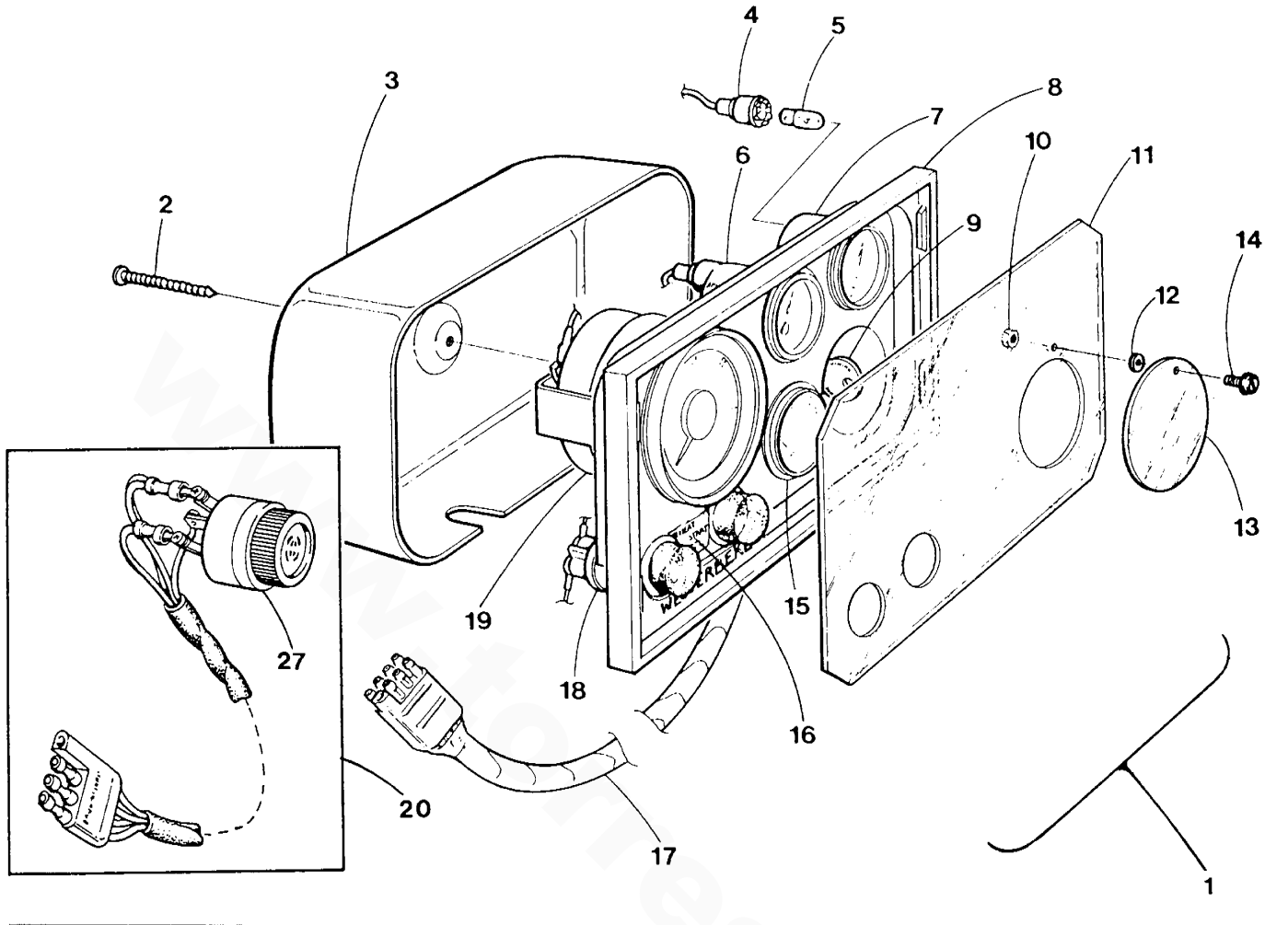
WESTERBEKE 71B - 20.0 BED - ELECTRICAL SYSTEM



WESTERBEKE 71B - 20.0 BED - ELECTRICAL SYSTEM

REF	PN	NAME	REMARKS	QUAN
1	039275	PUMP	FUEL LIFT 12VDC	1
2-1	030125	SWITCH	TEMPERATURE-PROPULSION	1
2-2	039550	SWITCH	TEMPERATURE-GENSET	1
3	037453	BUSHING	1/4NPT TO 1/8NPT-PROPULSION	1
4	035109	SENDER	WATER TEMPERATURE	1
5	031849	LOCKWASHER	10	AR
6	031847	NUT	10-32 HEX SS	AR
7	039790	ALTERNATOR	50 AMP 12 VDC INCLUDING PULLEY	1
8	200120	NUT	1/4NC KEPS	1
9	031086	BOOT		1
10	031904	NUT	10-24 KEPS	3
11	024354	STRAP	GLOWPLUG CONNECTING	3
12	024353	GLOWPLUG	12 VDC	4
13	024377	GASKET	BRACKET TO CYLINDER HEAD	1
14	031501	CAPSCREW	1/4NC X 1/2	2
15	031866	SCREW	8-32 X 7/8 SS	2
16	031844	LOCKWASHER	8 SS	4
17	024582	BRACKET	PREHEAT SOLENOID-CIRCUIT BREAKER	1
18	031861	SCREW	8-32 X 1/4 SS	2
19-1	024683	BREAKER	CIRCUIT 20 AMP 12VDC	1
19-2	020946	BREAKER	CIRCUIT 10 AMP 24VDC	1
20	031752	LOCKWASHER	1/4	2
21	031750	NUT	1/4NC	2
22	036563	BREAKER	CIRCUIT 10 AMP	1
23	031911	SCREW	8-32 X 1/4 BRASS	2
24	032923	SWITCH	EXHAUST TEMPERATURE-GENSET	1
25	035711	SCREW	6-32 X 1/4 TAPPING	2
26-1	038790	HARNESS	ENGINE-PROPULSION	1
26-2	039205	HARNESS	GENSET INCLUDED IN PANEL HARNESS ASSY	1
27-1	024639	SOLENOID	PREHEAT 12VDC	1
27-2	022249	SOLENOID	PREHEAT 24VDC	1
28	031760	NUT	5/16NF	2
29	031577	CAPSCREW	5/16NF X 5/8	4
30	031758	LOCKWASHER	5/16	4
31-1	030245	SOLENOID	STARTER MOTOR 30593 PROPULSION 12VDC	1
31-2	039523	SOLENOID	STARTER MOTOR 38384 GENSET 12VDC	1
32-1	031786	LOCKWASHER	M 8 DIN 127 PROPULSION	1
32-2	034575	LOCKWASHER	M10 DIN 127B BRONZE GENSET	1
33-1	018242	NUT	M 8 DIN 934 PROPULSION	1
33-2	032438	NUT	M10 DIN 439 BRASS GENSET	1
34	039672	WIRE	SOLENOID INCLUDING BOOT	1
35		SOLENOID	FUEL SHUT-OFF REFER TO FUEL PAGE	1
36	037323	SWITCH	OIL PRESSURE	1
37	011984	ELBOW	1/8NPT STREET 90 STEEL	2
38	024132	SENDER	OIL PRESSURE	1
39	039806	RESISTOR	ASSEMBLY-PROPULSION	1
40-1	039144	DIAGRAM	WIRING PROPULSION 12VDC	1
40-2	039422	DIAGRAM	WIRING GENSET 12VDC	1

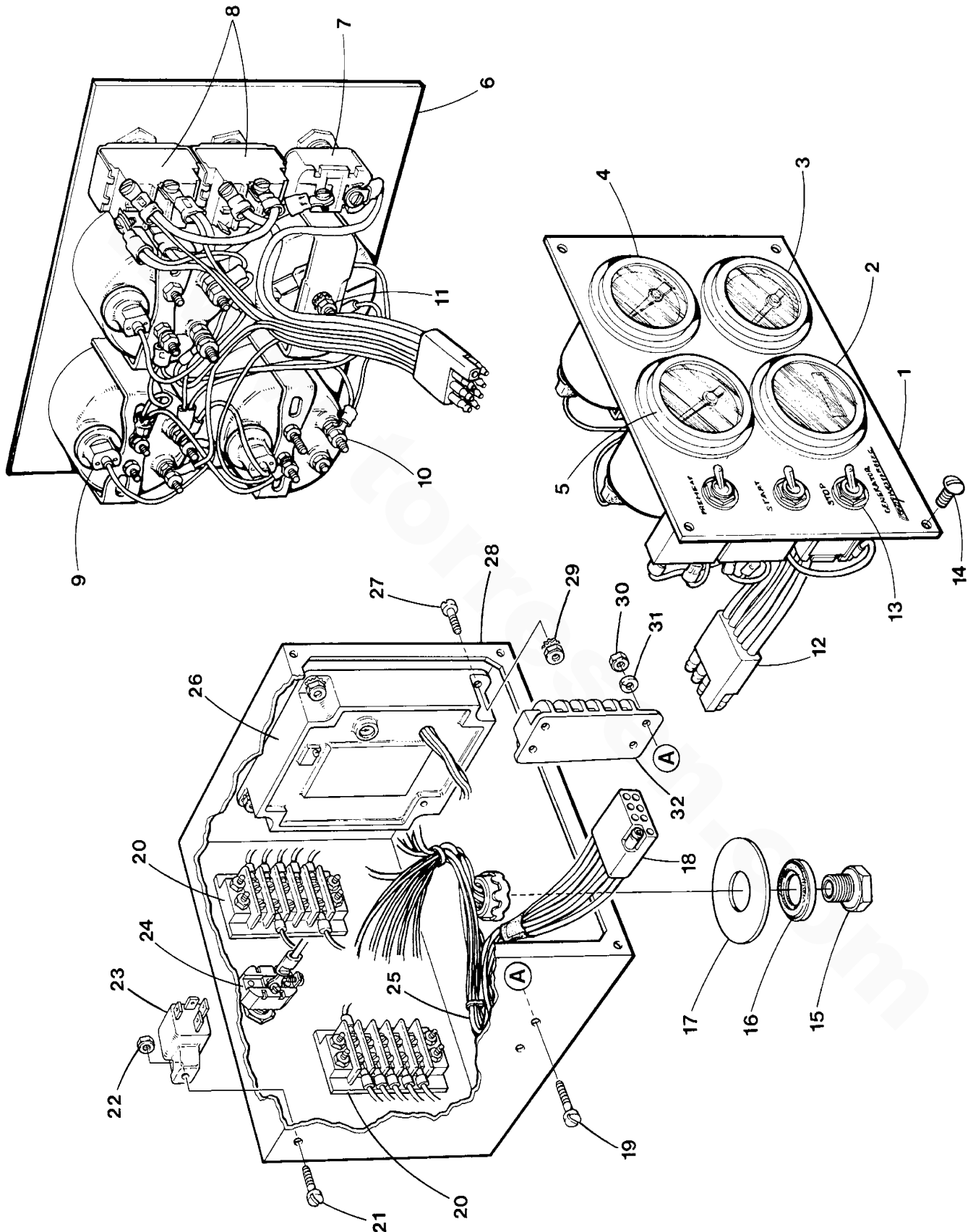
WESTERBEKE 71B FOUR - PROPULSION INSTRUMENT PANELS



WESTERBEKE 71B FOUR - PROPULSION INSTRUMENT PANELS

REF	PN	NAME	REMARKS	QUAN
1	036842	PANEL	ADMIRAL INCLUDING ALARM	1
2	030913	SCREW		1
3	030119	COVER	PANEL REAR	1
4	035118	HOLDER	LAMP WEDGE BASE	3
5	035114	LAMP	INSTRUMENT 12VDC WEDGE BASE	3
6	037601	METER	WATER TEMPERATURE	1
7	037603	METER	OIL PRESSURE 100 PSI	1
8	033865	PANEL	PLATE	1
9	033693	KEYSWITCH	OFF-ON	1
10	030003	NUT	NYLON LOCKING 6-32	1
11	033684	COVER	FACEPLATE	1
12	030002	SPACER	NYLON	1
13	024996	WINDOW	KEYSWITCH COVER	1
14	030001	SCREW	NYLON 6-32 X 1/2 WASHER HEAD	1
15	037605	VOLTMETER	12VDC	1
16	033682	DECAL	SWITCH IDENTIFICATION	1
17	030148	CABLE	PANEL TO ENGINE 8 PIN	1
18-1	033764	SWITCH	PUSHBUTTON START/PREHEAT	2
18-2	019031	CAP	SWITCH COVER REPLACEMENT	2
19	011917	METER	TACHOMETER-HOUR	1
20	036829	ALARM	ASSEMBLY	1
21	035825	WIRE	POWER TO METER LAMPS	3
22	039144	DIAGRAM	WIRING ENGINE 12VDC	1
23	036473	PANEL	CAPTAIN	1
24	036590	METER	TACHOMETER	1
25	036043	PANEL	PLATE	1
26-1	036479	SWITCH	TEST	1
26-2	036490	CAP	SWITCH	1
27	013355	BUZZER	ALARM	1
28	030946	PLUG	NYLON	1
29-1	024947	LAMP	12VDC	3
29-2	036483	HOLDER	LAMP	3
30	036626	HARNESS	PANEL TO ENGINE 4 PIN	1
31	036627	HARNESS	PANEL TO ENGINE 8 PIN	1
32	036477	ASSEMBLY	TERMINAL-DIODE	1
33	036544	SPACER	TERMINAL-DIODE ASSEMBLY	2
34	036545	SCREW	6-32 X 3/4 TAPPING SS	2
35	036630	DRAWING	TEMPLATE TO INSTALL EITHER PANEL	1

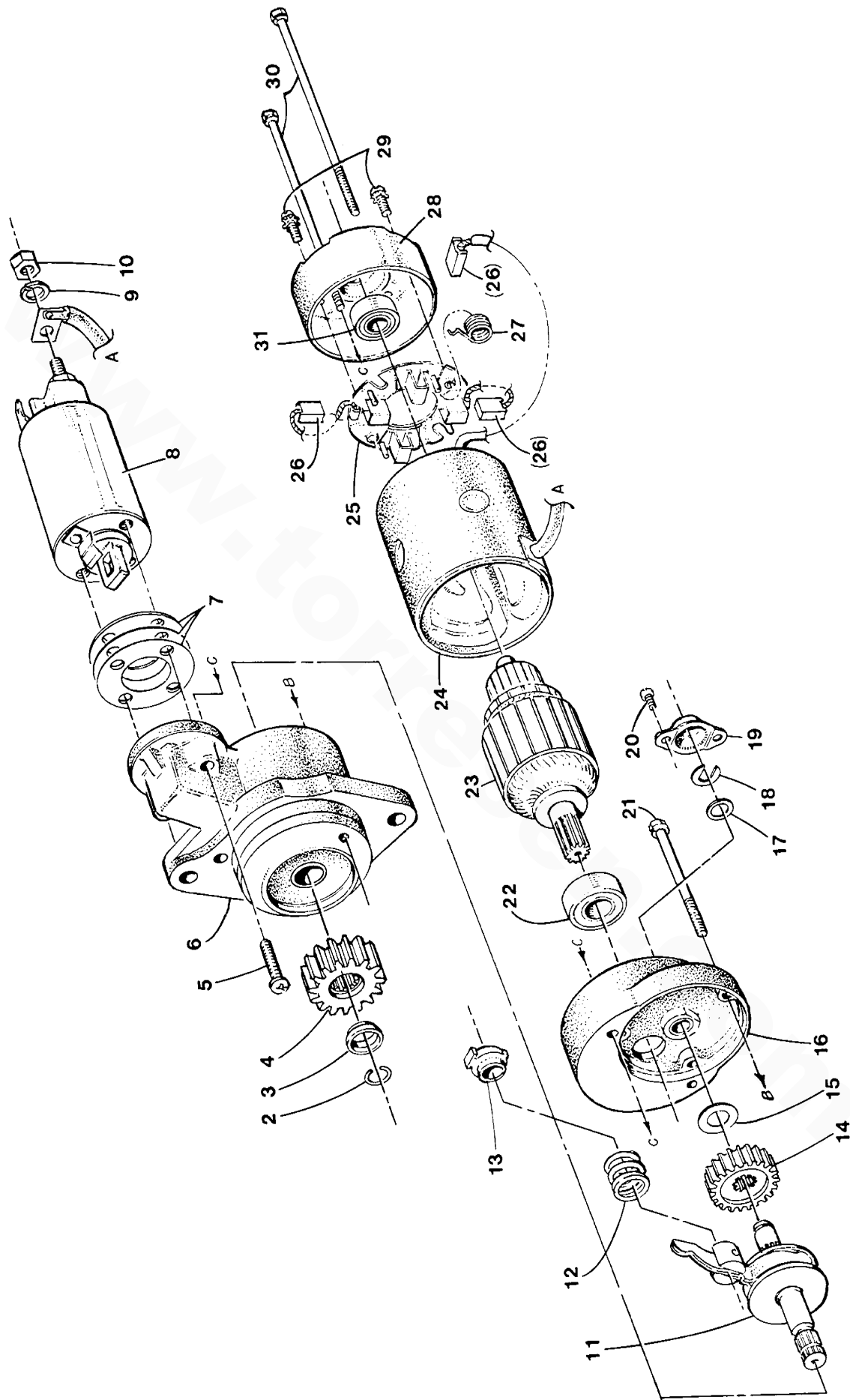
WESTERBEKE 20.0 BED - GENERATOR CONTROL PANEL



WESTERBEKE 20.0 BED - GENERATOR CONTROL PANEL

REF	PN	NAME	REMARKS	QUAN
1	036539	PANEL	GENERATOR CONTROL REF 2 THRU 13	1
2	036192	HOURLMETER		1
3	037605	VOLTMETER	12VDC	1
4	037603	METER	OIL PRESSURE 100 PSI	1
5	037601	METER	WATER TEMPERATURE	1
6-1	034485	PLATE	PANEL	1
6-2	035303	COVER	BOX WHEN PANEL IS REMOTE MOUNTED	1
7	024731	SWITCH	STOP	1
8	024732	SWITCH	PREHEAT-START	2
9-1	035114	LAMP	INSTRUMENT WEDGE BASE 12VDC	3
9-2	035118	HOLDER	LAMP WEDGE BASE	3
9-3	035825	WIRE	LAMP POWER CONNECTION	3
10-1	031900	NUT	10-32 BRASS	AR
10-2	031902	LOCKWASHER	10 BRONZE	AR
11	031904	NUT	10-24 KEPS	1
12	036538	HARNESS	PANEL	1
13	031999	RING	TOGGLE SWITCH MOUNT LOCKING	3
14	034421	SCREW	8-32 X 3/8 TRUSS HEAD BLACK SS	4
15	036464	NIPPLE	CHASE WITH BUSHING	1
16	036492	RING	SEALING	1
17	036837	WASHER	REDUCER	1
18	039205	HARNESS	ENGINE	1
19	031855	SCREW	6-32 X 5/8 SS BINDING HEAD	12
20-1	019121	BLOCK	TERMINAL	2
20-2	019122	MARKER	TERMINAL BLOCK	2
20-3	015222	PLATE	SCREW-TERMINAL BLOCK	6
21	031872	SCREW	10-32 X 1/2 SS	1
22	200125	NUT	10-32 KEPS	1
23-1	037833	RELAY	12VDC	1
23-2	039858	RELAY	24VDC	1
24-1	033259	SWITCH	EMERGENCY STOP	1
24-2	033258	BOOT	EMERGENCY STOP SWITCH	1
24-3	033251	LABEL	EMERGENCY STOP SWITCH	1
25	036232	HARNESS	PANEL BOX	1
26-1	303008	CONTROLLER	GOVERNOR 12VDC	1
26-2	039747	CONTROLLER	GOVERNOR 24VDC	1
27	031872	SCREW	10-32 X 1/2 SS	4
28-1	039424	ASSEMBLY	BOX AND HARNESS	1
28-2	039368	BOX	GENERATOR CONTROL PANEL	1
29	200125	NUT	10-32 KEPS	4
30	031837	NUT	6-32 HEX SS	12
31	031839	LOCKWASHER	6 SS	12
32-1	050201	BLOCK	TERMINAL	1
32-2	050374	MARKER	TERMINAL BLOCK	1
33	024968	DECAL	GENSET OPERATING INSTRUCTIONS	1

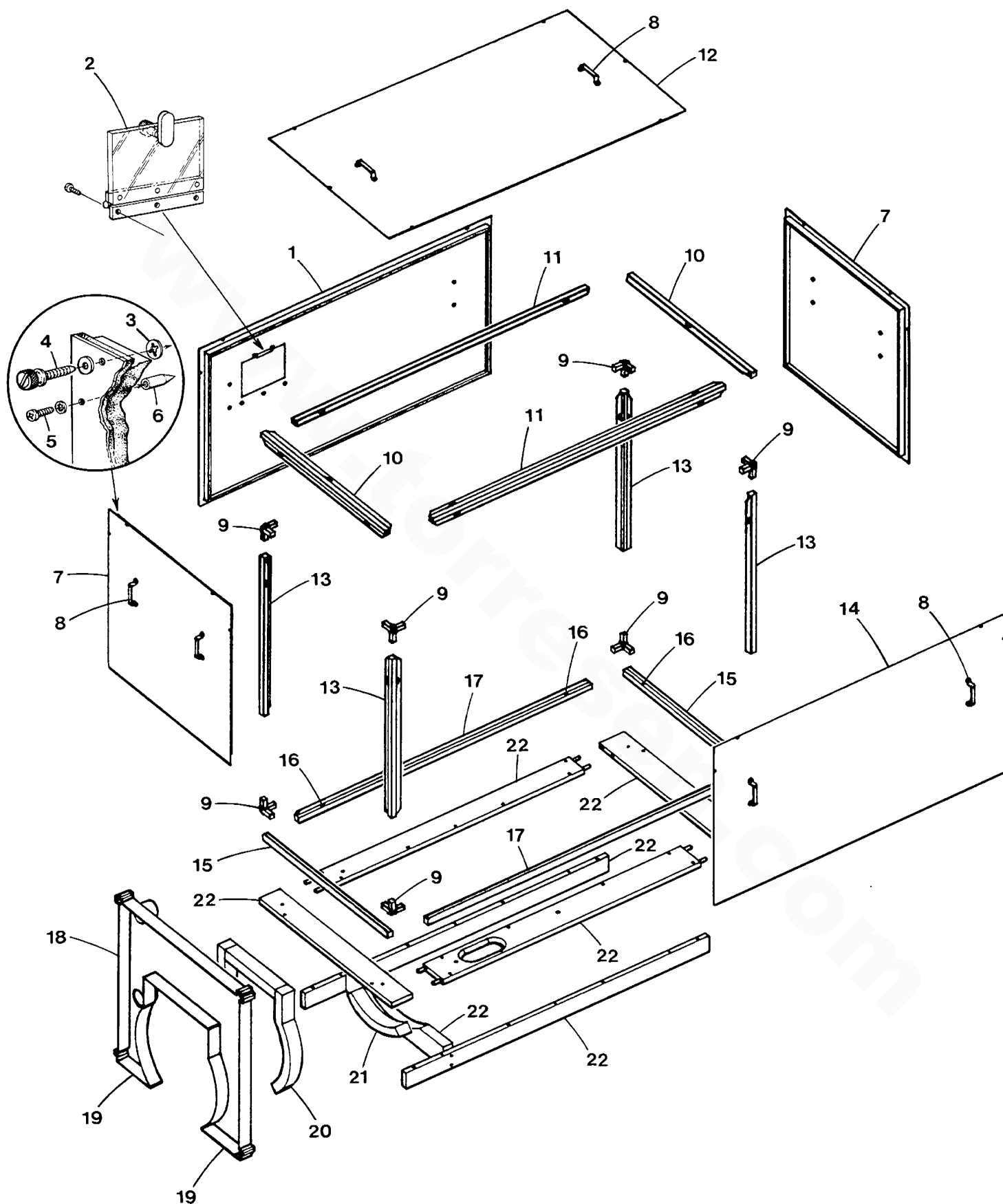
WESTERBEKE 71B FOUR - PROPULSION STARTER MOTOR



WESTERBEKE 71B FOUR - PROPULSION STARTER MOTOR

REF	PN	NAME	REMARKS	QUAN
1	030593	MOTOR	STARTER 12VDC	1
2		RING	RETAINING SEE REF 3	1
3	030261	RETAINER	INCLUDING REF 2	1
4	030700	PINION	INCLUDING REF 2 AND 3	1
5	030263	SCREW SET	INCLUDING REF 29	1
6		BRACKET	FRONT	1
7		SHIMS	SOLENOID SEE REF 8	AR
8	030245	SOLENOID	INCLUDING REF 7	1
9	031786	LOCKWASHER	M 8 DIN 127	2
10	018242	NUT	M 8 DIN 934	2
11	030265	SHAFT	ASSEMBLY	1
12		SPRING		1
13		RETAINER		1
14	030695	GEAR		1
15		WASHER	SEE REF 19	1
16		BRACKET	CENTER	1
17		WASHER	SEE REF 19	1
18		CLIP	SEE REF 19	1
19	030696	COVER	INCLUDING REF 15,17,18,20	1
20		SCREW	SEE REF 19	2
21	030692	CAPSCREW	M 5 X 73	1
22	031305	BEARING	ARMATURE	1
23		ARMATURE	INCLUDING BEARINGS	1
24		HOUSING	YOKE ASSEMBLY	1
25	030262	HOLDER	BRUSH ASSEMBLY INCL REF 26 AND 27	1
26		BRUSH	SEE REF 25	4
27	030246	SPRING	BRUSH	1
28	030697	HOUSING	REAR	1
29		SCREW	SEE REF 5	2
30		CAPSCREW		2
31	031306	BEARING	ARMATURE	1





REF	PN	NAME	REMARKS	QUAN
1		PANEL	SIDE WITH WINDOW	1
2	037417	WINDOW	ASSEMBLY	1
3	030896	RETAINER	QUICK OPENING SCREW	AR
4	030895	SCREW	QUICK OPENING	AR
5	031940	SCREW	6-32 X 3/8 SEMS PHIL HEAD	AR
6	030775	GUIDE	PANEL ALIGNMENT	AR
7		PANEL	FRONT AND REAR	2
8-1	035720	HANDLE		10
8-2	031937	SCREW	8-32 X 3/8 SEMS PHIL HEAD	20
9	024057	CORNER		8
10	039364	RAIL	END	2
11	039361	RAIL	SIDE	2
12		PANEL	TOP	1
13	039365	POST	CORNER	4
14		PANEL	SIDE	1
15	038969	SKIRT	END	2
16-1	039470	SCREW	10-32 X 1-3/4 SS	8
16-2	031848	WASHER	10 FLAT SS	8
16-3	031907	NUT	10-32 STOP SS	8
17	038968	SKIRT	SIDE	2
18	039356	AIR DAM		1
19-1	039471	SCREW	8 X 1/2 WOOD ROUND HEAD	2
19-2	031843	WASHER	8 FLAT SS	2
20	039408	FOAM	UPPER AIR SEAL - INCHES REQUIRED	48
21	039408	FOAM	LOWER AIR SEAL - INCHES REQUIRED	12
22		BASE	ASSEMBLY	1
23	039425	SCREW	8 X 1-3/4 WOOD FLAT HEAD SS	10
24	039426	SCREW	14 X 4 WOOD FLAT HEAD SS	8
25	030902	HOSE	2-1/2" ID AIR INTAKE - INCHES REQUIRED	25
26	022559	CLAMP	HOSE 40	2

REF	PN	NAME	REMARKS	QUAN
1-1	039548	KIT A	SPARE PARTS PROPULSION	1
1-2	039553	KIT A	SPARE PARTS GENSET	1
2-1	039549	KIT B	SPARE PARTS EXTENDED CRUISING PROPULSION	1
2-2	039554	KIT B	SPARE PARTS EXTENDED CRUISING GENSET	1
3	039551	GASKET SET	UPPER	1
4	039552	GASKET SET	COMPLETE	1
5	032974	FILTER	PRIMARY FUEL SEPARATOR	1
6	015010	STRAINER	SEA WATER	1
7	033327	VALVE	ANTI-SIPHON	1
8	013758	PAINT	RED AEROSOL SPRAY CAN	1
9	020654	SPLITTER	ALTERNATOR OUTPUT	1
10-1	030760	HARNESS	15 FOOT PANEL EXTENSION 8 PIN	1
10-2	036557	HARNESS	15 FOOT PANEL EXTENSION 4 PIN	1
11	032149	FILTER KIT	REMOTE LUBE OIL	1
12-1	032010	SWITCH	GENERATOR SHIP-SHORE 3 WIRE 60HZ	1
12-2	032133	SWITCH	GENERATOR SHIP-SHORE 2 WIRE 60HZ	1
12-3	032010	SWITCH	GENERATOR SHIP-SHORE 2 WIRE 50HZ	1
13	024574	KIT	FUEL HARDWARE	1
14-1	038922	MANUAL	OPERATOR 63B-71B-82B-108B	1
14-2	039685	MANUAL	OPERATOR 20.0-25.0 BED	1
15	039916	MANUAL	TECHNICAL	1
16	037306	MUFFLER	HYDRO-HUSH FIBREGLASS	1
17	024177	KIT	REMOTE FRESH WATER SURGE TANK	1