

# PARTS LIST

## WESTERBEKE

108B Six

108C Six

### Marine Diesel Engines

32.0 BED - 60 Hz

32.0 BEDB - 60 Hz

25.0 BED - 50 Hz

25.0 BEDB - 50 Hz

### Marine Diesel Generators

Publication #041200

Edition One

August 1995



*WESTERBEKE CORPORATION  
MYLES STANDISH INDUSTRIAL PARK  
150 JOHN HANCOCK ROAD, TAUNTON, MA 02780-7319*

# PARTS LIST

## WESTERBEKE

108B Six

108C Six

### Marine Diesel Engines

32.0 BED - 60 Hz

32.0 BEDB - 60 Hz

25.0 BED - 50 Hz

25.0 BEDB - 50 Hz

### Marine Diesel Generators

Publication #041200

Edition One

August 1995



## IMPORTANT

### PRODUCT SOFTWARE DISCLAIMER

Product software of all kinds such as brochures, drawings, technical data, operator's and workshop manuals, parts lists and parts price lists, and other information, instructions and specifications provided from sources other than Westerbeke, is not within Westerbeke's control and, accordingly, is provided to Westerbeke customers only as a courtesy and service.

**Westerbeke cannot be responsible for the content of such software, makes no warranties or representations with respect thereto, including the accuracy, timeliness or completeness thereof, and will in no event be liable for any type of damages or injury incurred in connection with, or arising out of, the furnishing or use of such software.**

For example, components and subassemblies incorporated in Westerbeke's products and supplied by others (such as engine blocks, fuel systems and components, transmissions, electrical components, pumps and other products) are generally supported by their manufacturers with their own software, and Westerbeke must depend on such software for the design of Westerbeke's own product software. Such software may be outdated and no longer accurate. Routine changes made by Westerbeke's suppliers, of which Westerbeke rarely has notice in advance, are frequently not reflected in the supplier's software until after such changes take place.

Westerbeke customers should also keep in mind the time span between printings of Westerbeke product software, and the unavoidable existence of earlier, non-current Westerbeke software editions in the field. Additionally, most Westerbeke products include customer-requested special features that frequently do not include complete documentation.

In summation, product software provided with Westerbeke products, whether from Westerbeke or other suppliers, must not and cannot be relied upon exclusively as the definitive authority on the respective product. It not only makes good sense but is imperative that appropriate representatives of Westerbeke or the supplier in question be consulted to determine the accuracy and currency of the product software being consulted by the customer.

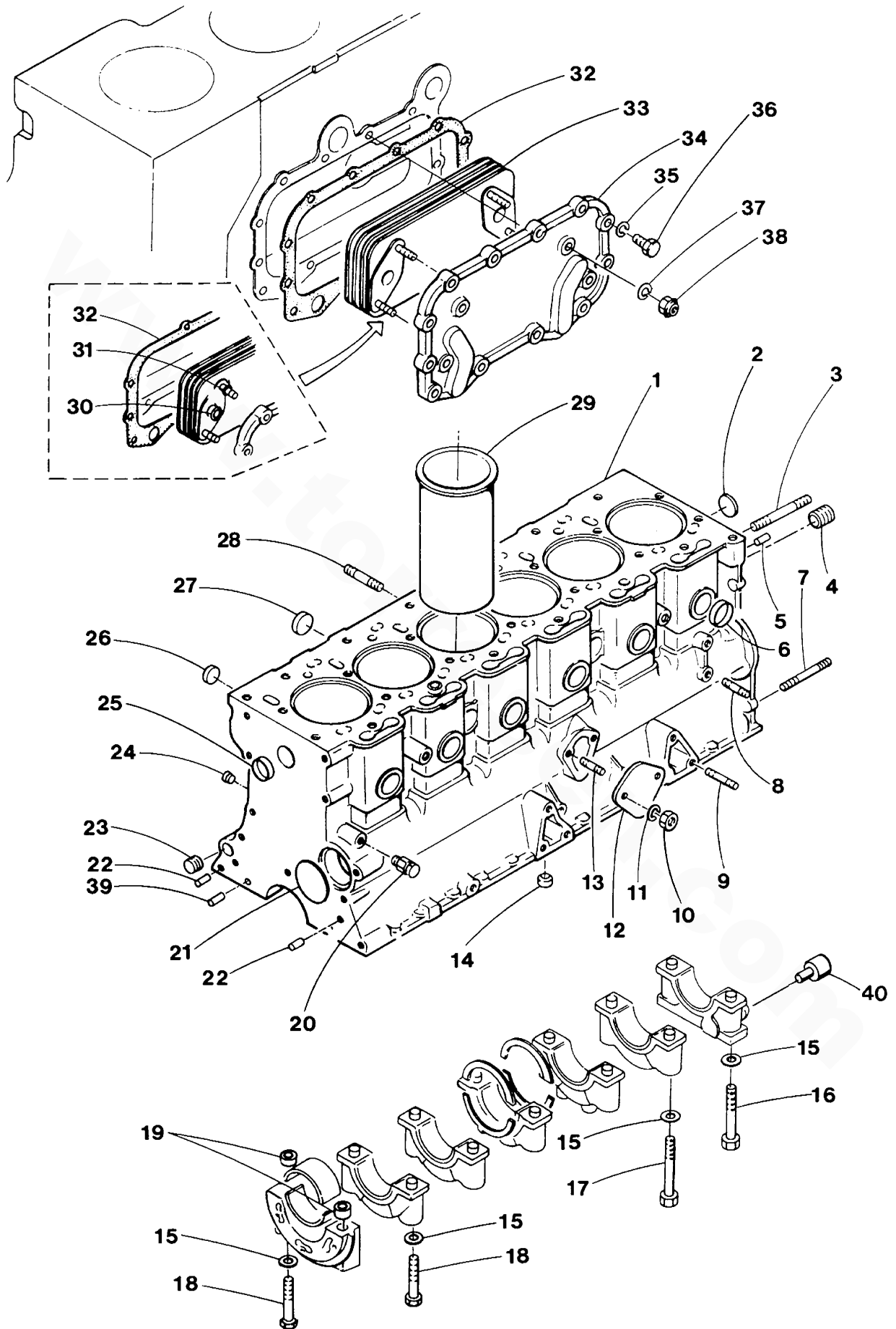
This Parts List covers a family of two engine blocks used for propulsion and generator applications. References in the book for engine components may indicate the propulsion model, but are applicable to both propulsion and generator units. (ie: pistons, filters, gaskets, pumps, bearings, etc.) Also references in the book for generator applications refer to the 60 Hertz model but are applicable for the corresponding 50 Hertz model as listed in the chart below.

Propulsion Model	60 Hertz Generator	50 Hertz Generator
108B Six	32.0 BED	25.0 BED
108C Six	32.0 BEDB	25.0 BEDB

### TABLE OF CONTENTS

PAGE	DESCRIPTION
100	CYLINDER BLOCK
102	CYLINDER HEAD - ROCKER COVER
106	CRANKSHAFT - PISTONS
110	VALVES - ROCKER SHAFT - CAMSHAFT
114	TIMING GEAR COVER - LUBE OIL SUMP 108B
116	TIMING GEAR COVER - LUBE OIL SUMP 108C
118	INTAKE MANIFOLD
120	LUBE OIL FILTER AND PUMP
124	FRESH WATER COOLING SYSTEM - FRONT
126	COOLING SYSTEM - REAR
128	FRONT OPENING EXHAUST MANIFOLD
130	SEA WATER SYSTEM AND ALTERNATOR
134	SEA WATER PUMP
136	FRESH WATER PUMP
138	FUEL LIFT PUMP AND FILTER
142	FUEL SYSTEM
146	PROPULSION BACK END - MOUNTING SYSTEM
148	MODEL HSW 630 TRANSMISSION
150	WARNER HYDRAULIC TRANSMISSION
152	GENSET MOUNTING SYSTEM
154	GENSET BACK END - GENERATOR
158	GENSET AC OUTPUT AND REGULATOR
160	GENSET ELECTRONIC GOVERNOR ACTUATOR
162	ELECTRICAL SYSTEM
164	PROPULSION INSTRUMENT PANELS
166	GENSET CONTROL PANEL
162	MISCELLANEOUS

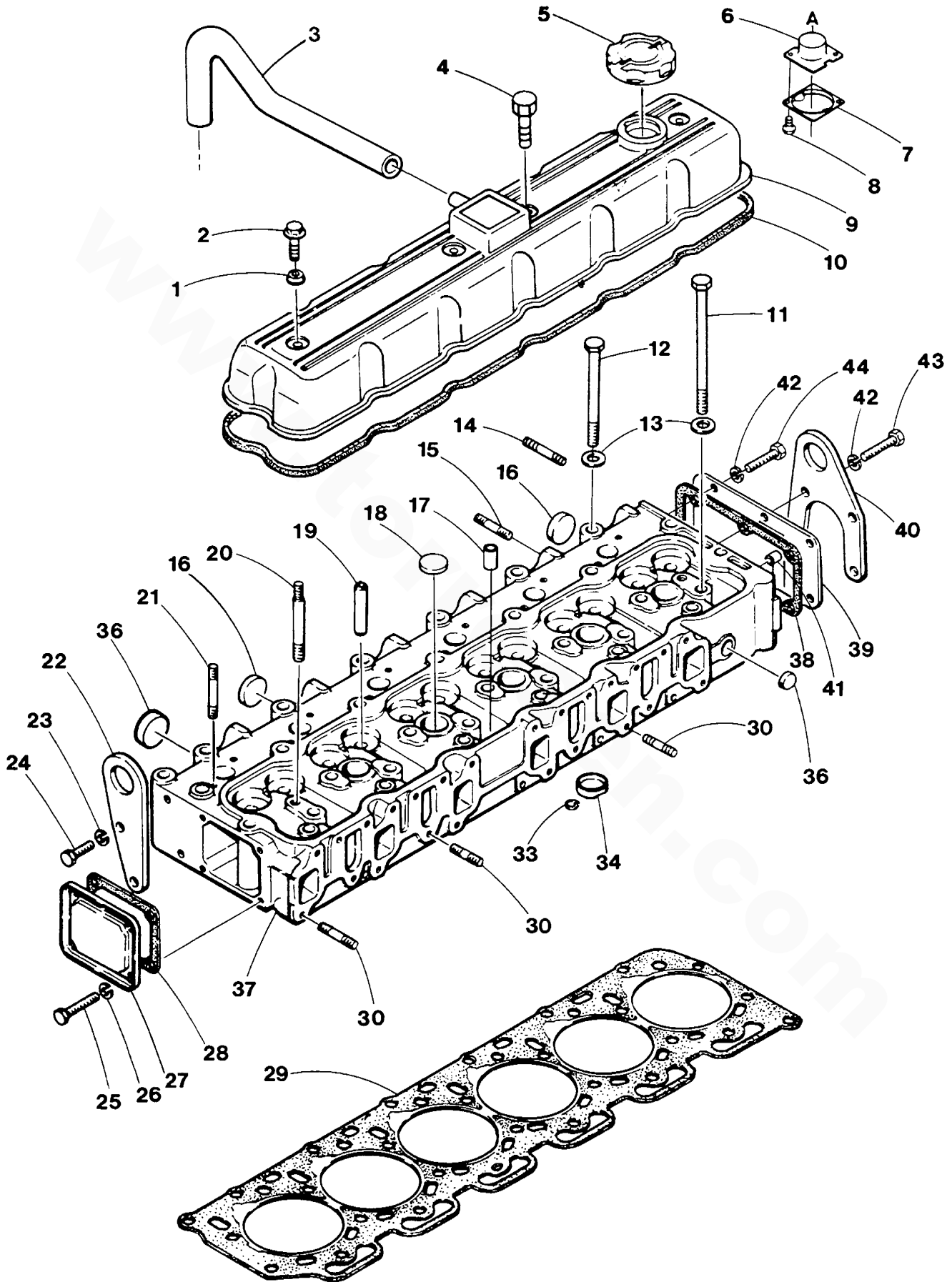
WESTERBEKE 108B SIX - 108C SIX - CYLINDER BLOCK



WESTERBEKE 108B SIX - 108C SIX - CYLINDER BLOCK

REF	PN	NAME	REMARKS	QUAN
1-1	034927	BLOCK	ASSEMBLY 108B NLA USE BLOCK BELOW	1
1-2	040739	BLOCK	ASSEMBLY 108C	1
1-3	040739	BLOCK	ASSEMBLY 32 BED WITH ELECTRONIC GOVERNOR	1
1-4	040745	BLOCK	ASSEMBLY 32 WMFA WITH MECHANICAL GOVERNOR	1
1-5	040743	BLOCK	ASSEMBLY 32 WMFMA	1
1-6	041044	BLOCK	ASSEMBLY W100A	1
2	024374	PLUG	EXPANSION 30MM DIN 443	1
3	030967	STUD	IDLER GEAR	2
4	024364	PLUG	EXPANSION 18MM DIN 443	1
5	032368	DOWEL	IDLER GEAR HUB 30968	1
6	024374	PLUG	EXPANSION 30MM DIN 443	8
7	033638	STUD	5/16NF X 3	1
8	012502	STUD	3/8NF X 1-11/16	2
9	012503	STUD	7/16NF X 1-9/16	3
10	031760	NUT	5/16NF 108B	2
11	031758	LOCKWASHER	5/16 108B	2
12	024382	COVER	LIFT PUMP BLANKING 108B	1
13	012498	STUD	5/16NF X 7/8 108B	2
14	032820	PLUG	TAPER	1
15	017849	WASHER	FLAT	14
16-1	032821	BOLT	MAIN BEARING CAP 108B 4-1/2LG	2
16-2	024387	BOLT	MAIN BEARING CAP 108C	2
17	024386	BOLT	MAIN BEARING CAP 3-1/16LG	10
18-1	024371	BOLT	MAIN BEARING CAP 108B 4-3/16LG	2
18-2	032821	BOLT	MAIN BEARING CAP 108C	2
19	024383	DOWEL	TUBULAR	18
20	024601	PLUG	1/4NPT SOCKET - BLOCK DRAIN	1
21	024379	PLUG	CAMSHAFT	1
22	011498	DOWEL	3/8 X 1	2
23	023143	PLUG	3/8NPT SOCKET	2
24	024523	PLUG	1/8NPT SOCKET	3
25	024374	PLUG	EXPANSION 30MM DIN 443	1
26	024373	PLUG	EXPANSION 25MM DIN 443	6
27	024374	PLUG	EXPANSION 30MM DIN 443	3
28	012503	STUD	7/16NF X 1-9/16	3
29-1	032789	LINER	CYLINDER 108B	6
29-2	040663	LINER	CYLINDER 108C	6
30	032908	O-RING	COOLER CORE TO COVER 108B	2
31	032906	O-RING	COOLER CORE STUDS TO COVER 108B	4
32	032859	GASKET	COOLER COVER TO BLOCK	1
33-1	032857	CORE	OIL COOLER 108B	1
33-2	040732	COOLER	OIL INCL REF 30,31,33,34 108C	1
34	032858	COVER	OIL COOLER 108B	1
35	031758	LOCKWASHER	5/16	12
36	031579	CAPSCREW	5/16NF X 7/8	12
37	031764	LOCKWASHER	3/8	4
38	031767	NUT	3/8NF JAM	4
39	024393	PLUG	OIL GALLERY	1
40-1		HUB	OIL PUMP IDLER GEAR 108B	1
40-2	040664	HUB	OIL PUMP IDLER GEAR 108C	1

WESTERBEKE 108B SIX - 108C SIX - CYLINDER HEAD

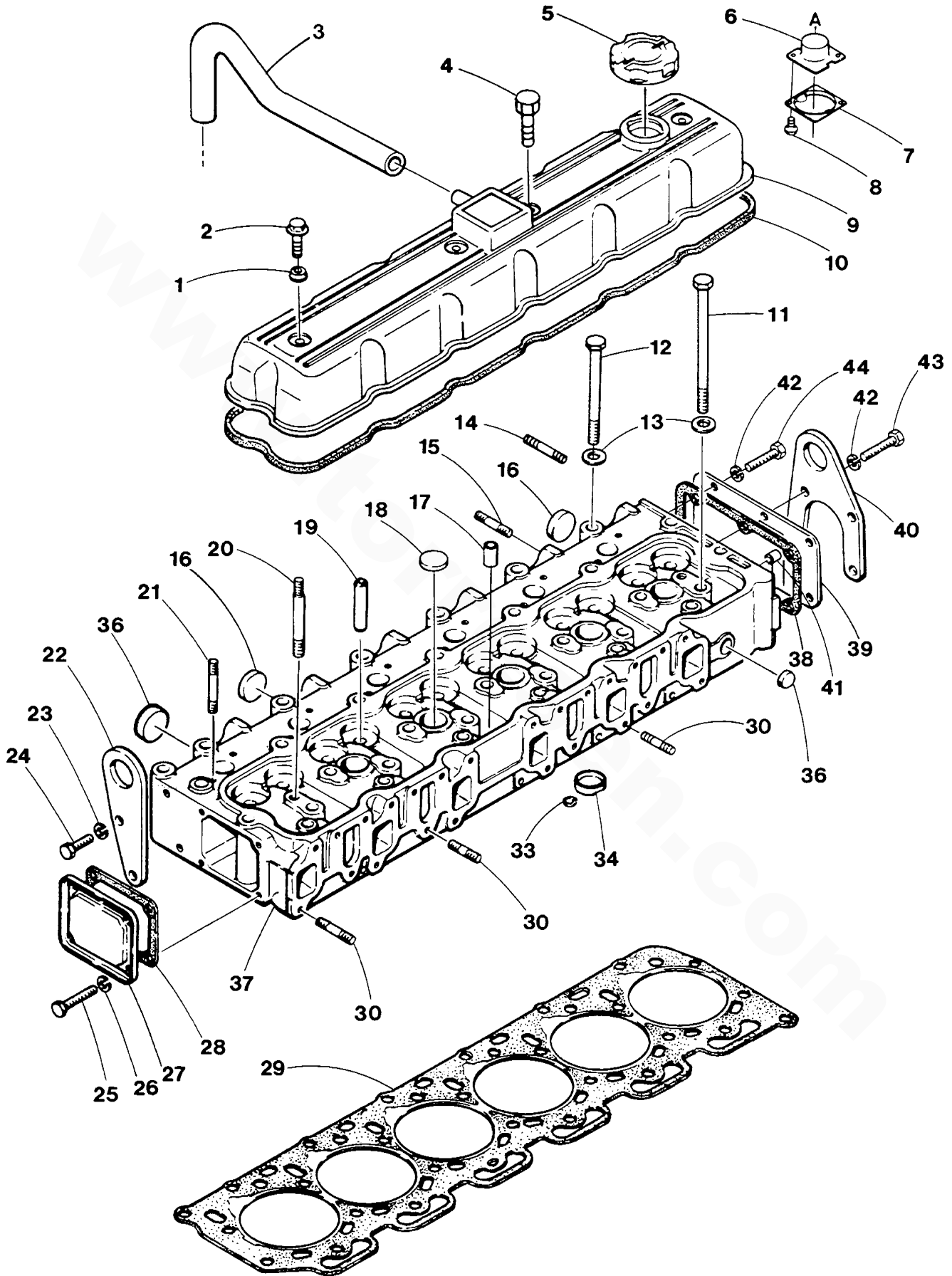


## WESTERBEKE 108B SIX - 108C SIX - CYLINDER HEAD

REF	PN	NAME	REMARKS	QUAN
1-1	030985	SEAL	ROCKER COVER BOLT 108B	4
1-2	040659	SEAL	ROCKER COVER STUD 108C	4
2-1	031577	CAPSCREW	5/16NF X 5/8 108B	2
2-2	024526	NUT	5/16NF FLANGED LOCKING 108C	4
3-1	032756	HOSE	BREATHER 108B	1
3-2	040662	HOSE	BREATHER 108C	1
4	031582	CAPSCREW	5/16NF X 1-1/2 108B	2
5-1	030986	CAP	OIL FILLER 108B QUARTER TURN TYPE	1
5-2	040151	CAP	OIL FILLER 108B THREADED TYPE	1
5-3	040661	CAP	OIL FILLER 108C	1
6	032753	PLATE	BAFFLE-BREATHER 108B	1
7	032754	PLATE	BREATHER OIL BAFFLE 108B	1
8	033652	SCREW	M 4 X 8 TAPPING 108B	4
9-1	032752	COVER	ROCKER 108B INCL REF 6,7,8	1
9-2	040658	COVER	ROCKER 108C	1
10-1	032755	GASKET	ROCKER COVER 108B	1
10-2	040660	GASKET	ROCKER COVER 108C	1
11	024372	BOLT	CYLINDER HEAD-LONG	11
12	024371	BOLT	CYLINDER HEAD-SHORT	17
13	017849	WASHER	CYLINDER HEAD BOLT	28
14	012495	STUD	5/16NF X 1-1/2	2
15	012497	STUD	5/16NF X 1-3/8	10
16	024349	PLUG	EXPANSION 35MM DIN 443	5
17	024370	CAP	WATER JET	6
18-1	024373	PLUG	EXPANSION 25MM DIN 443 108B	5
18-2	024336	PLUG	EXPANSION 108C	5
19-1	024366	GUIDE	VALVE 108B	12
19-2	040653	GUIDE	VALVE 108C	12
20-1	033667	STUD	5/16NF X 2-9/16 108B	2
20-2	038325	STUD	ROCKER BRACKET 108C	2
21	032379	STUD	5/16NF X 1-5/8	12
22	032816	EYE	LIFTING-REAR 108B	1
23	031764	LOCKWASHER	3/8	2
24	031630	CAPSCREW	3/8NF X 1	2
25	031577	CAPSCREW	5/16NF X 5/8	4
26	031758	LOCKWASHER	5/16	4
27	024376	COVER	REAR	1
28	024377	GASKET	REAR COVER	1
29	032818	GASKET	CYLINDER HEAD	1
30	038510	STUD	5/16NF X 5/16NC X 1-3/4	20
36	024373	PLUG	EXPANSION 25MM DIN 443	2



WESTERBEKE 108B SIX - 108C SIX - CYLINDER HEAD

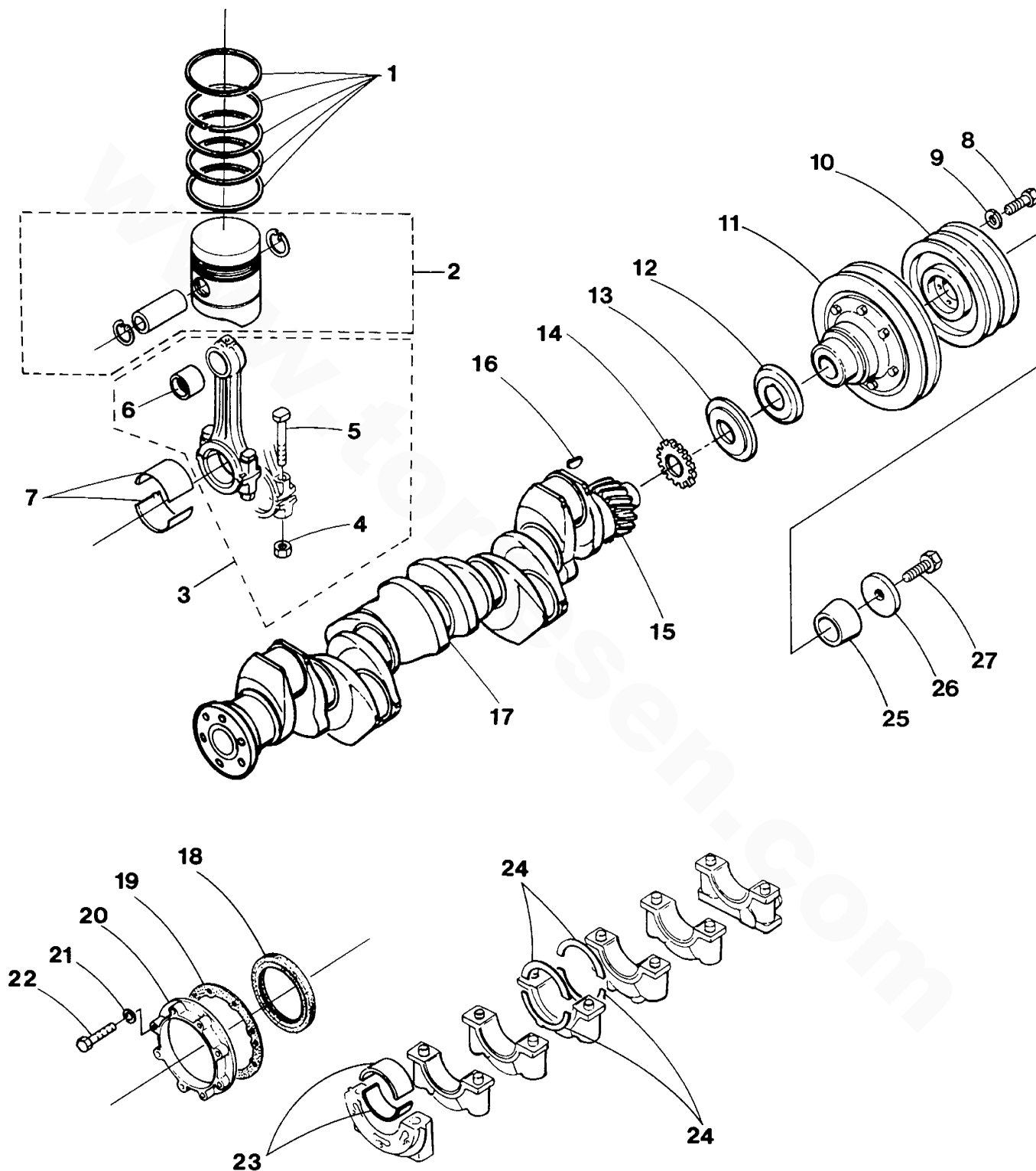


WESTERBEKE 108B SIX - 108C SIX - CYLINDER HEAD

REF	PN	NAME	REMARKS	QUAN
37-1	032750	HEAD	CYLINDER 108B	1
37-2	040652	HEAD	CYLINDER 108C	1
38-1	024375	GASKET	FRONT COVER 108B	1
38-2	040656	GASKET	FRONT COVER 108C	1
39-1	032814	COVER	FRONT 108B	1
39-2	040657	COVER	FRONT 108C	1
40	032815	EYE	LIFTING-FRONT	1
41-1	024345	PLUG	OIL GALLERY 108B	1
41-2	040654	PLUG	OIL GALLERY 108C	1
42	031758	LOCKWASHER	5/16	6
43	031579	CAPSCREW	5/16NF X 7/8	4
44	031577	CAPSCREW	5/16NF X 5/8	2

www.torresen.com

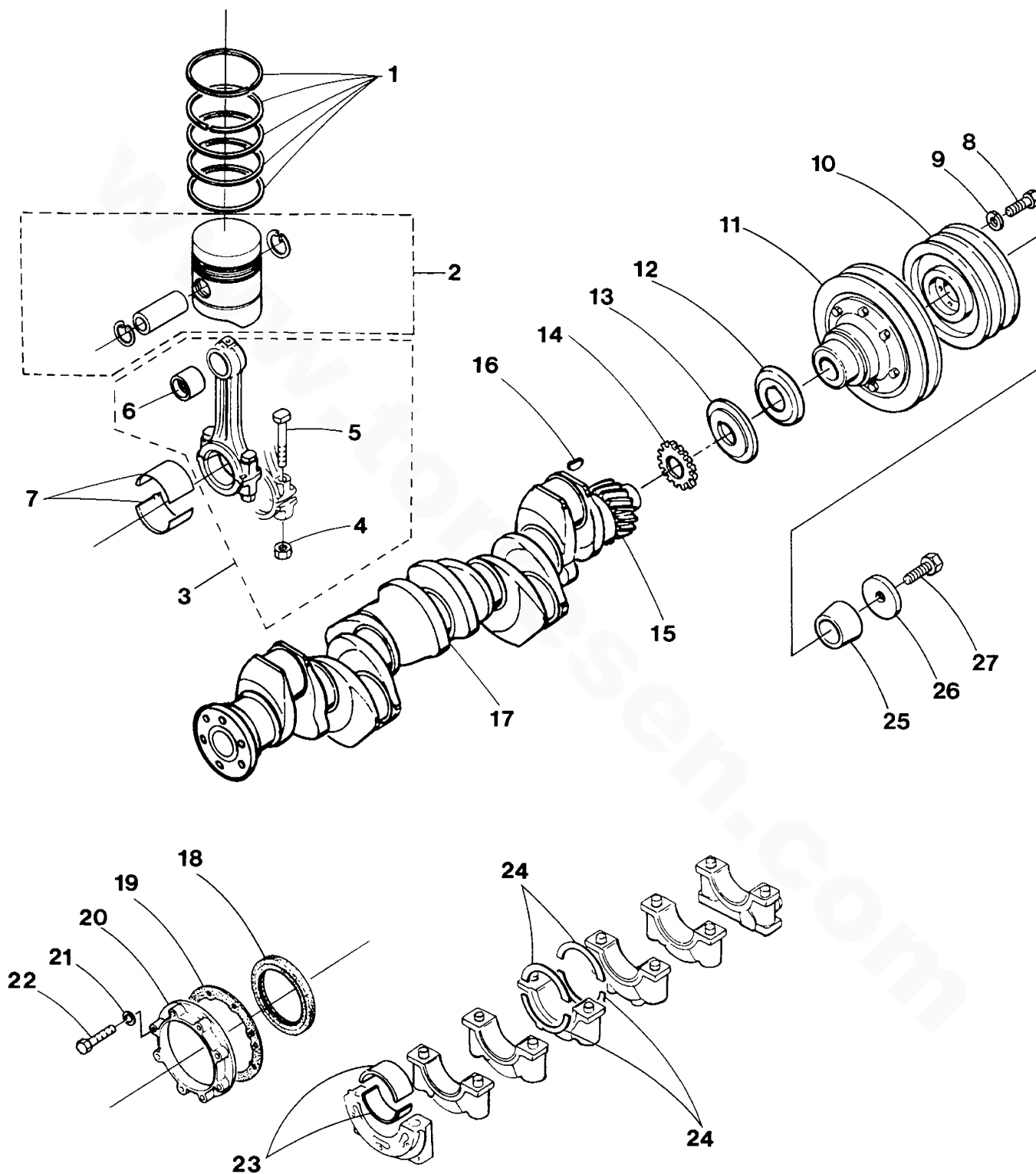
WESTERBEKE 108B SIX - 108C SIX - CRANKSHAFT - PISTONS



WESTERBEKE 108B SIX - 108C SIX - CRANKSHAFT - PISTONS

REF	PN	NAME	REMARKS	QUAN
1-1	032800	RING SET	108B ENGINE SET STD	1
1-2	040687	RING SET	108C ENGINE SET STD	1
1-3	040688	RING SET	108C ENGINE SET 0.50MM	1
1-4	040689	RING SET	108C ENGINE SET 1.00MM	1
2-1	032799	PISTON	108B STD	6
2-2	040684	PISTON	108C STD	6
2-3	040685	PISTON	108C 0.50MM	6
2-4	040686	PISTON	108C 1.00MM	6
3-1	032763	ROD	CONNECTING 108B	6
3-2	040676	ROD	CONNECTING 108C	6
4	024402	NUT	CONNECTING ROD	12
5	024401	BOLT	CONNECTING ROD	12
6-1	032809	BUSHING	CONNECTING ROD 108B	6
6-2		BUSHING	CONNECTING ROD 108C	6
7-1	032791	BEARING	SET ROD 108B STD	1
7-2	032792	BEARING	SET ROD 108B 0.25MM	1
7-3	032793	BEARING	SET ROD 108B 0.50MM	1
7-4	032794	BEARING	SET ROD 108B 0.76MM	1
7-5	040690	BEARING	SET ROD 108C STD	1
7-6	040691	BEARING	SET ROD 108C 0.25MM	1
7-7	040692	BEARING	SET ROD 108C 0.50MM	1
7-8	040693	BEARING	SET ROD 108C 0.75MM	1
8	031455	CAPSCREW	M 8 X 30 DIN 912	6
9-1	031786	LOCKWASHER	M 8 DIN 127	6
9-2	031787	WASHER	M 8 DIN 125	6
10	038906	PULLEY	CRANKSHAFT 2 GROOVE	1
11	038900	PULLEY	CRANKSHAFT 1 GROOVE	1
12-1	032768	SLINGER	CRANKSHAFT FRONT 108B	1
12-2	040680	SLINGER	CRANKSHAFT FRONT 108C	1
13	032766	SPRING	FRICTION GEAR 108B	1
14	032767	GEAR	FRICTION 108B	1
15-1	032765	GEAR	CRANKSHAFT 108B	1
15-2	040679	GEAR	CRANKSHAFT 108C	1
16-1	032888	KEY	CRANKSHAFT GEAR 108B	1
16-2	040681	KEY	CRANKSHAFT GEAR 108C	1
17-1	032764	CRANKSHAFT	108B	1
17-2	040677	CRANKSHAFT	108C	1
18-1	030976	SEAL	OIL CRANKSHAFT REAR 108B	1
18-2	040683	SEAL	OIL CRANKSHAFT REAR 108C	1
19	030975	GASKET	CRANKSHAFT OIL SEAL FLANGE	1
20-1	030974	FLANGE	OIL SEAL CRANKSHAFT REAR 108B	1
20-2	040678	FLANGE	OIL SEAL CRANKSHAFT REAR 108C	1
21	031758	LOCKWASHER	5/16	8
22	032824	CAPSCREW	5/16NF X 1-3/8	8

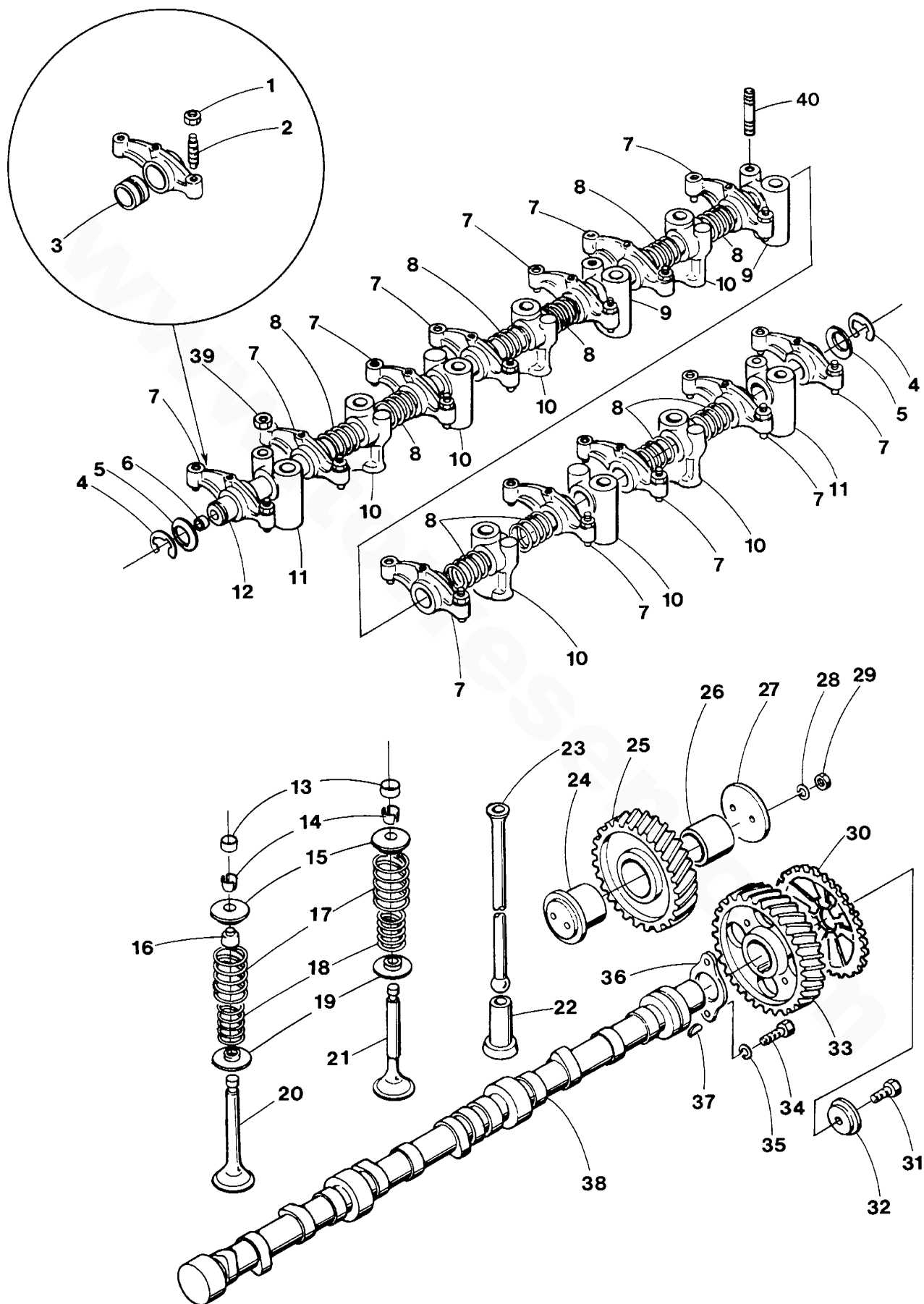
WESTERBEKE 108B SIX - 108C SIX - CRANKSHAFT - PISTONS



WESTERBEKE 108B SIX - 108C SIX - CRANKSHAFT - PISTONS

REF	PN	NAME	REMARKS	QUAN
23-1	032795	BEARING	SET MAIN 108B STD	1
23-2	032796	BEARING	SET MAIN 108B 0.25MM	1
23-3	032797	BEARING	SET MAIN 108B 0.50MM	1
23-4	032798	BEARING	SET MAIN 108B 0.76MM	1
23-5	040694	BEARING	SET MAIN 108C STD	1
23-6	040695	BEARING	SET MAIN 108C 0.25MM	1
23-7	040696	BEARING	SET MAIN 108C 0.50MM	1
23-8	040697	BEARING	SET MAIN 108C 0.75MM	1
23-9	040698	BEARING	SET MAIN 108C 1.00MM	1
24-1	024492	WASHER	THRUST SET 108B STD	1
24-2	024493	WASHER	THRUST SET 108B US	1
24-3	040699	WASHER	THRUST SET 108C STD	1
24-4	040700	WASHER	THRUST SET 108C 0.25MM	1
24-5	040701	WASHER	THRUST SET 108C 0.50MM	1
24-6	040702	WASHER	THRUST SET 108C 0.75MM	1
24-7	040703	WASHER	THRUST SET 108C 1.00MM	1
25	032770	RING	TAPER	1
26	032825	WASHER	CRANKSHAFT PULLEY	1
27	032771	BOLT	CRANKSHAFT PULLEY	1

WESTERBEKE 108B SIX - 108C SIX - VALVES - ROCKER SHAFT - CAMSHAFT

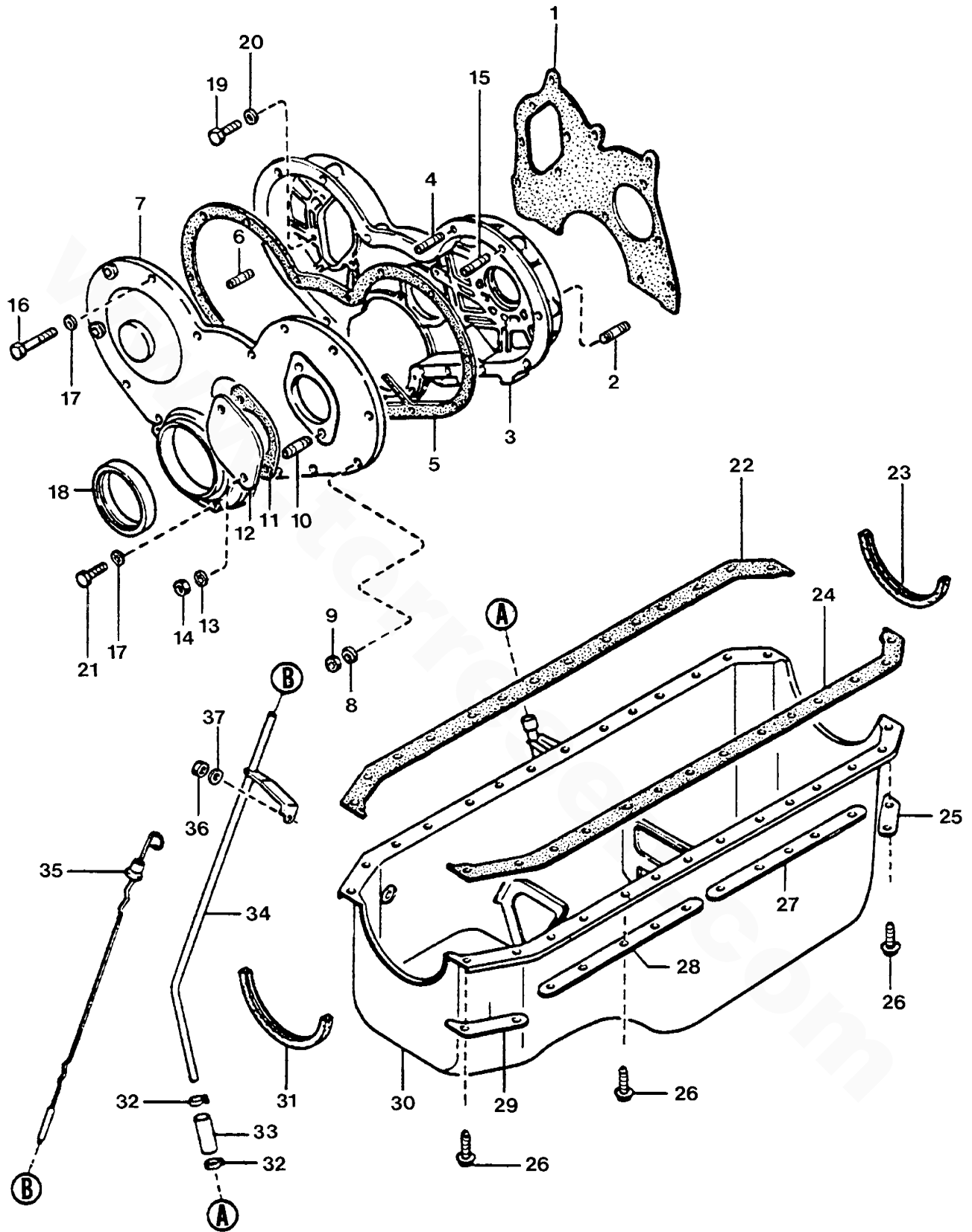


WESTERBEKE 108B SIX - 32.0 BED - TIMING GEAR COVER - LUBE OIL SUMP

REF	PN	NAME	REMARKS	QUAN
1	032822	GASKET	TIMING CASE TO BLOCK	1
2	032379	STUD	INJECTION PUMP 5/16NF X 1-5/8	3
3	032760	CASE	TIMING INCLUDING STUDS	1
4	032876	STUD	5/16NF X 1-7/8	4
5	032823	GASKET	TIMING COVER TO CASE	1
6	012495	STUD	5/16NF X 1-1/2	4
7	032761	COVER	TIMING CASE INCLUDING REF 10-14 & 18	1
8	031758	LOCKWASHER	5/16	18
9	031760	NUT	5/16NF	12
10	032381	STUD	5/16NF X 13/16	2
11	024399	GASKET	INJECTION PUMP GEAR COVER	1
12	024398	COVER	INJECTION PUMP GEAR	1
13	031758	LOCKWASHER	5/16	2
14	031760	NUT	5/16NF	2
15	012497	STUD	5/16NF X 1-3/8	1
16	031585	CAPSCREW	5/16NF X 2-1/4	8
17	031758	LOCKWASHER	5/16	8
18	032762	SEAL	OIL	1
19	031579	CAPSCREW	5/16NF X 7/8 CASE TO BLOCK	7
20	031758	LOCKWASHER	5/16	7
21	032803	GASKET SET	BLOCK TO LOWER BLOCK	1
22	032893	BLOCK	LOWER INCLUDING REF 37	1
23	032790	GASKET	SUMP	1
24	032757	SUMP	OIL	1
25	031758	LOCKWASHER	5/16	26
26	031580	CAPSCREW	5/16NF X 1	26
27	031758	LOCKWASHER	5/16	34
28	031577	CAPSCREW	5/16NF X 5/8	32
29	031596	CAPSCREW	5/16NF X 5	2
30	024337	PLUG	SUMP DRAIN WHEN HOSE REMOVED	1
31	024335	GASKET	SUMP DRAIN PLUG 24337	1
32	033679	STUD	M 6 X 12 DIN 939	3
33	033674	COVER		1
34	031783	LOCKWASHER	M 6 DIN 127	3
35	015812	NUT	M 6 DIN 934	3
36	033675	O-RING		1
37	032901	DOWEL		2
38	032905	PLUG		1



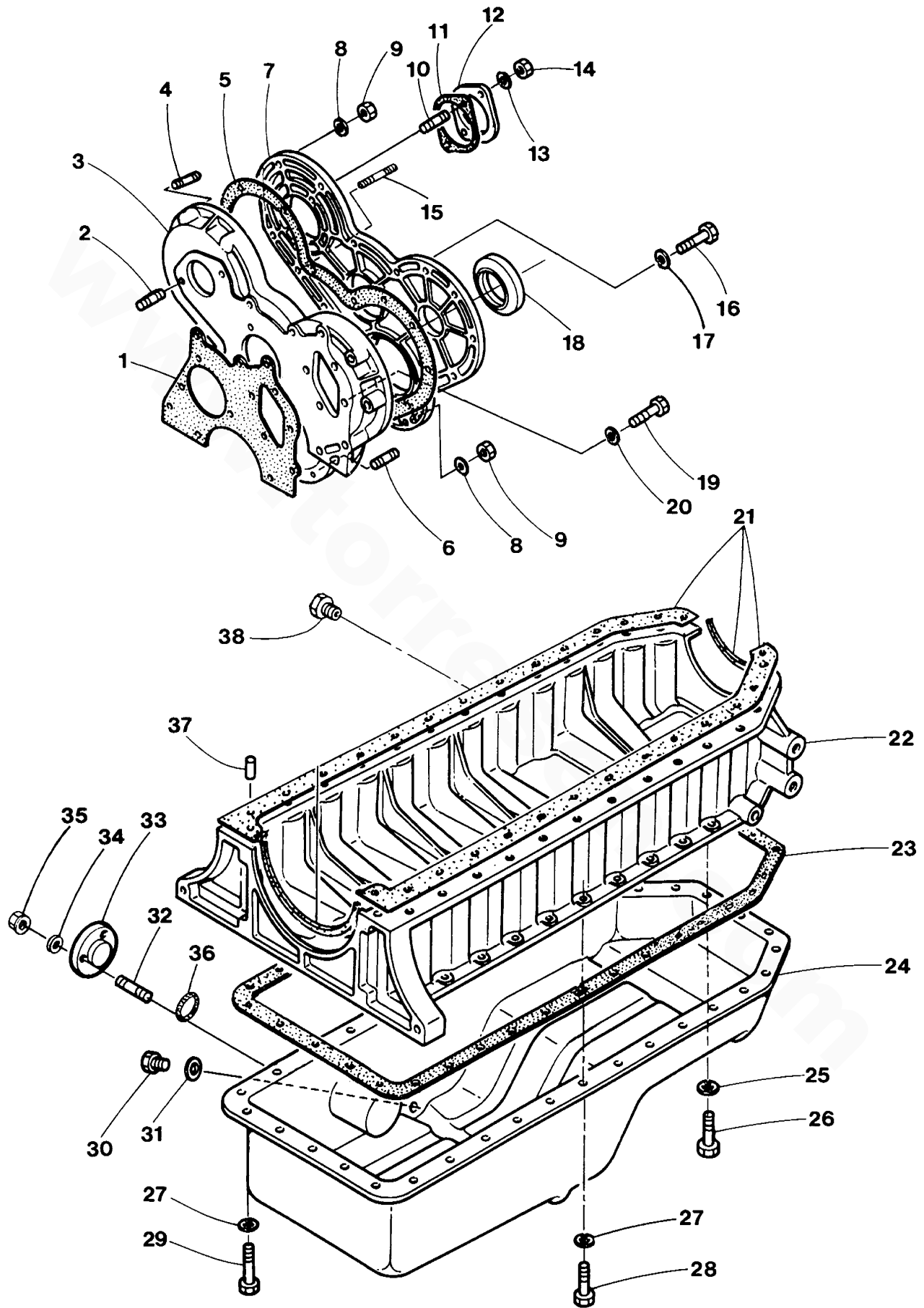
WESTERBEKE 108C SIX - TIMING GEAR COVER - LUBE OIL SUMP



WESTERBEKE 108B SIX - 108C SIX - VALVES - ROCKER SHAFT - CAMSHAFT

REF	PN	NAME	REMARKS	QUAN
31-1	031731	CAPSCREW	1/2NF X 1-1/4 108B	1
31-2	040714	BOLT	CAMSHAFT 108C	1
32	031014	PLATE	LOCK CAMSHAFT GEAR	1
33	032774	GEAR	CAMSHAFT	1
34	031577	CAPSCREW	5/16NF X 5/8	2
35	031758	LOCKWASHER	5/16	2
36-1	024446	PLATE	CAMSHAFT RETAINING 108B	1
36-2	040713	PLATE	CAMSHAFT RETAINING 108C	1
37	024445	KEY	WOODRUFF	1
38-1	032866	CAMSHAFT	108B	1
38-2	040712	CAMSHAFT	108C	1
39-1	032883	NUT	PILLAR 108B	2
39-2		NUT	3/8NF SELF-LOCKING 108C	2
40	040710	STUD	ROCKER BRACKET 108C	2

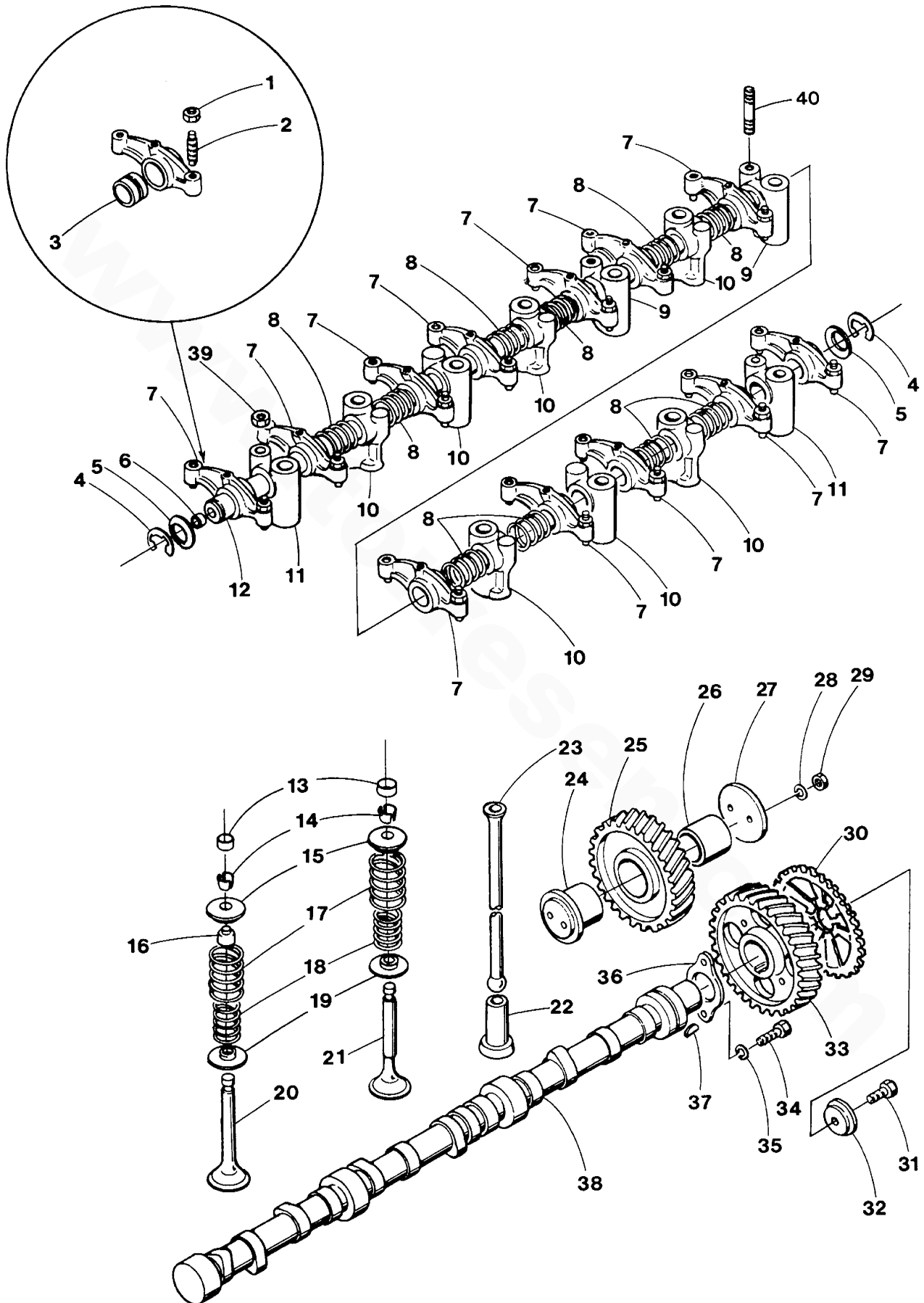
WESTERBEKE 108B SIX - 32.0 BED - TIMING GEAR COVER - LUBE OIL SUMP



WESTERBEKE 108B SIX - 108C SIX - VALVES - ROCKER SHAFT - CAMSHAFT

REF	PN	NAME	REMARKS	QUAN
1	031761	NUT	5/16NF JAM	12
2	024432	SCREW	TAPPET ADJUSTING 108B	12
3	024431	BUSHING	ROCKER ARM	12
4	033658	CIRCLIP		2
5	024437	WASHER	ROCKER SHAFT	2
6	033659	PLUG	ROCKER SHAFT	2
7-1	032772	ROCKER	INCLUDING BUSHING, SCREW, LOCKNUT 108B	12
7-2	040709	ROCKER	INCLUDING BUSHING, SCREW, LOCKNUT 108C	12
8	024436	SPRING	ROCKER SHAFT	10
9	033664	BRACKET	ROCKER SHAFT	2
10	024435	BRACKET	ROCKER SHAFT	7
11	024434	BRACKET	ROCKER SHAFT	2
12	032902	SHAFT	ROCKER	1
13	024351	CAP	VALVE STEM	12
14-1	024429	COTTER	VALVE 108B	24
14-2	040708	COTTER	VALVE 108C	24
15-1	024424	SEAT	VALVE SPRING UPPER 108B	12
15-2	040705	SEAT	VALVE SPRING UPPER 108C	12
16-1	032805	SEAL	VALVE STEM OIL 108B INTAKE	6
16-2	040655	SEAL	VALVE STEM OIL 108C	12
17	024425	SPRING	VALVE OUTER	12
18	024426	SPRING	VALVE INNER	12
19-1	024427	SEAT	VALVE SPRING LOWER 108B	12
19-2	040706	SEAT	VALVE SPRING LOWER 108C	12
20-1	024423	VALVE	INTAKE 108B	6
20-2	040704	VALVE	INTAKE 108C	6
21-1	024346	VALVE	EXHAUST 108B	6
21-2	040707	VALVE	EXHAUST 108C	6
22	030966	TAPPET		12
23-1	032683	PUSHROD	108B	12
23-2	024440	PUSHROD	108C	12
24-1	037208	HUB	IDLER GEAR 108B	1
24-2	040711	HUB	IDLER GEAR 108C	1
25	032773	GEAR	IDLER INCLUDING BUSHING	1
26	032826	BUSHING	IDLER GEAR	1
27	024443	PLATE	IDLER GEAR	1
28	031758	LOCKWASHER	5/16	2
29	031760	NUT	5/16NF	2
30	032775	GEAR	FRICTION 108B	1

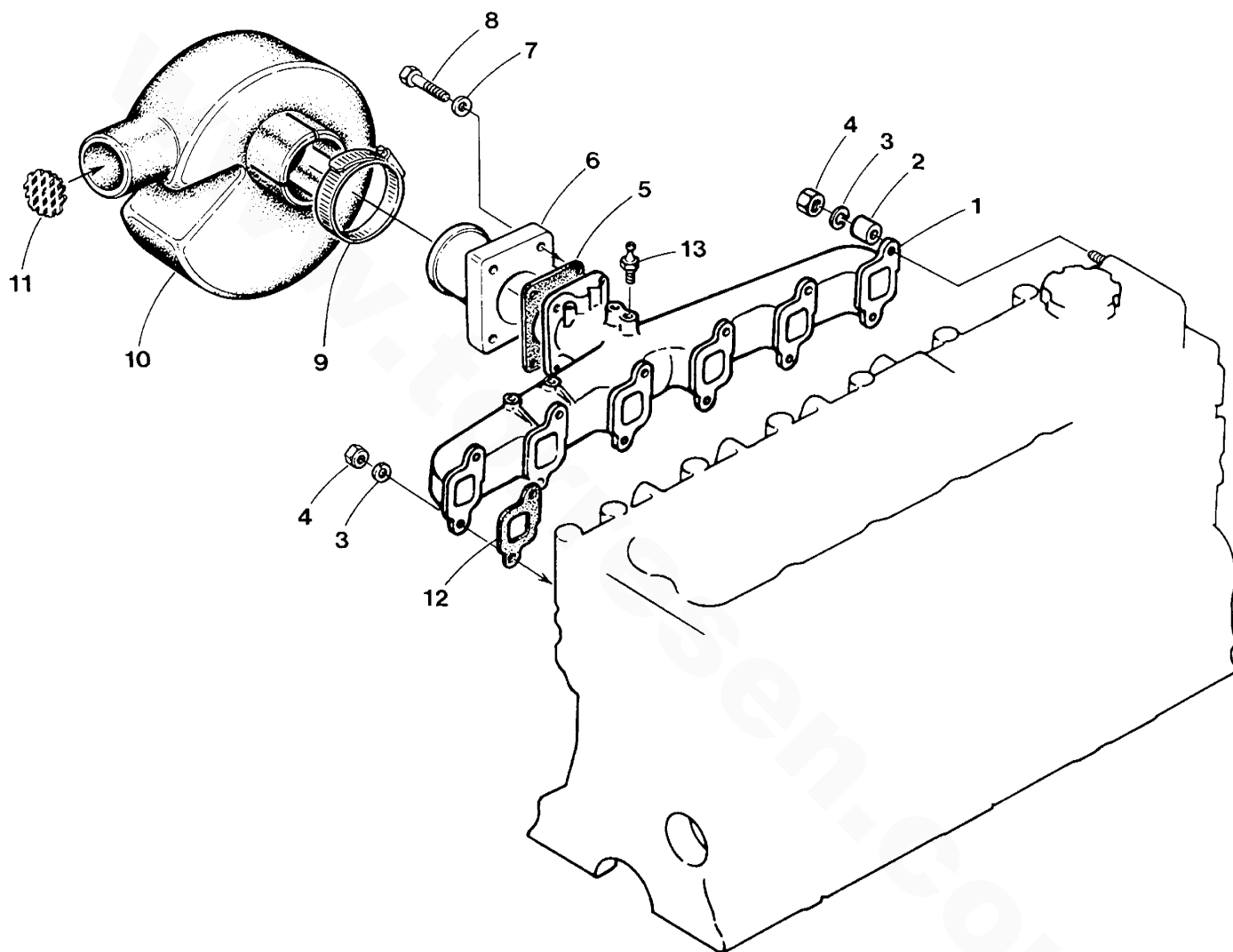
WESTERBEKE 108B SIX - 108C SIX - VALVES - ROCKER SHAFT - CAMSHAFT



WESTERBEKE 108C SIX - TIMING GEAR COVER - LUBE OIL SUMP

REF	PN	NAME	REMARKS	QUAN
1	032822	GASKET	TIMING CASE TO BLOCK	1
2	032379	STUD	INJECTION PUMP 5/16NF X 1-5/8	3
3	040674	CASE	TIMING	1
4	032876	STUD	5/16NF X 1-7/8	4
5	032823	GASKET	TIMING COVER TO CASE	1
6	012495	STUD	5/16NF X 1-1/2	4
7	040675	COVER	TIMING CASE	1
8	031758	LOCKWASHER	5/16	18
9	031760	NUT	5/16NF	12
10	012498	STUD	5/16NF X 7/8	2
11	024399	GASKET	INJECTION PUMP GEAR COVER	1
12	024398	COVER	INJECTION PUMP GEAR	1
13	031758	LOCKWASHER	5/16	2
14	031760	NUT	5/16NF	2
15	012497	STUD	5/16NF X 1-3/8	1
16	031585	CAPSCREW	5/16NF X 2-1/4	6
17	031758	LOCKWASHER	5/16	6
18	032762	SEAL	OIL	1
19	031579	CAPSCREW	5/16NF X 7/8 CASE TO BLOCK	7
20	031758	LOCKWASHER	5/16	7
21		CAPSCREW	5/16NF	1
22	040667	GASKET	SUMP RIGHT	1
23	040669	GASKET	SUMP REAR	1
24	040666	GASKET	SUMP LEFT	1
25	030972	STIFFENER	SUMP REAR	2
26	041399	CAPSCREW	5/16NF X 3/4 FLANGED	28
27-1	040671	STIFFENER	SUMP REAR RIGHT	1
27-2	040673	STIFFENER	SUMP REAR LEFT	1
28-1	040670	STIFFENER	SUMP FRONT RIGHT	1
28-2	040672	STIFFENER	SUMP FRONT LEFT	1
29	024388	STIFFENER	SUMP FRONT	2
30	040665	SUMP	OIL	1
31	040668	GASKET	SUMP FRONT	1
32	017298	CLAMP	HOSE	2
33	032875	HOSE	DIPSTICK TUBE	1
34	040410	TUBE	DIPSTICK	1
35	040650	DIPSTICK		1
36	031756	NUT	5/16NC	1
37	031758	LOCKWASHER	5/16	1

WESTERBEKE 108B SIX - 108C SIX - INTAKE MANIFOLD



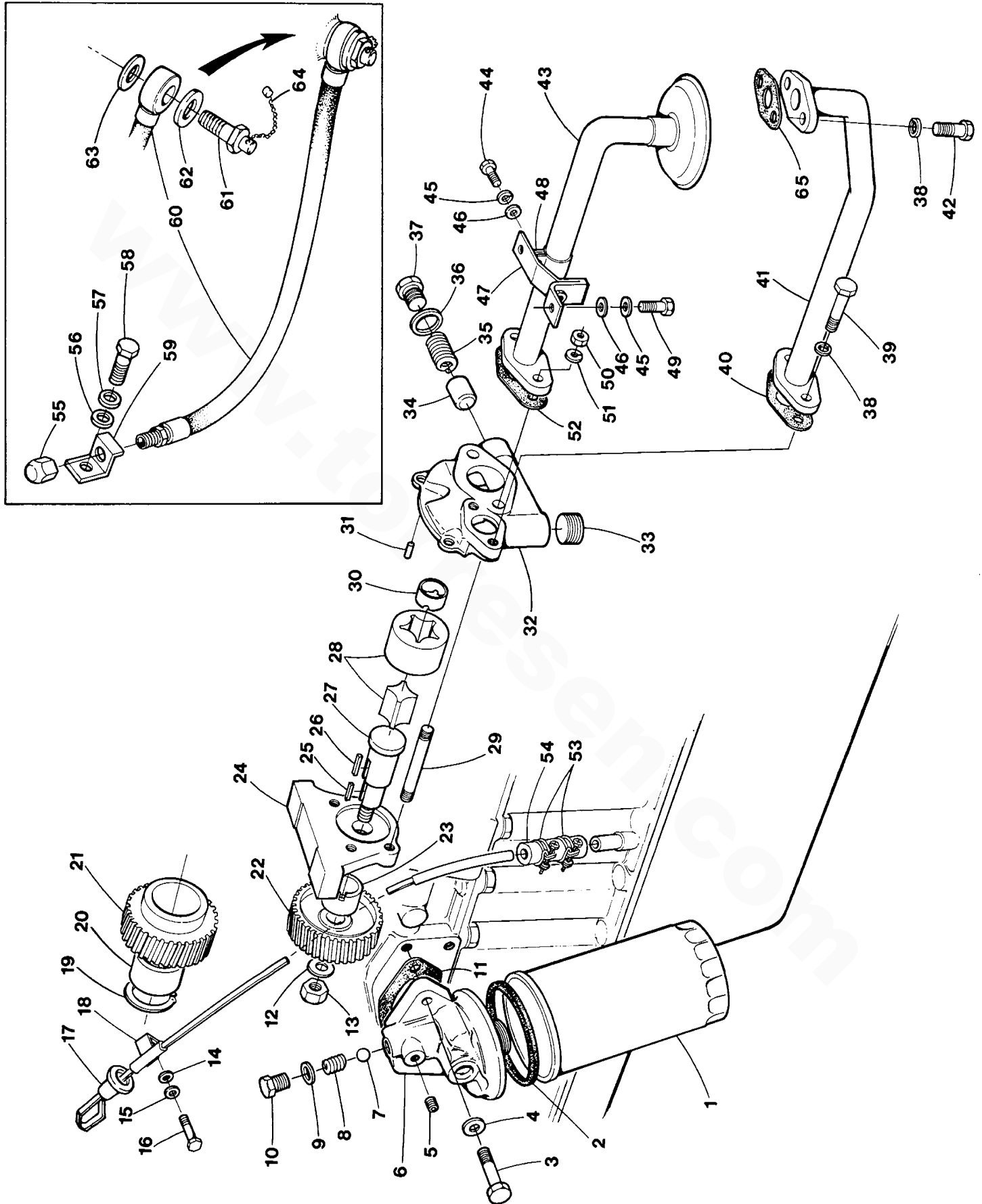
WESTERBEKE 108B SIX - 108C SIX - INTAKE MANIFOLD

REF	PN	NAME	REMARKS	QUAN
1	032890	MANIFOLD	INTAKE	1
2		SPACER	25/64ID X 3/16LG 108B	2
3	031758	LOCKWASHER	5/16	12
4	031760	NUT	5/16NF	12
5	037643	GASKET	ADAPTER TO MANIFOLD	1
6	037636	ADAPTER	SILENCER TO MANIFOLD	1
7-1	031786	LOCKWASHER	M 8 DIN 127	4
7-2	031787	WASHER	M 8 DIN 125	4
8	013630	CAPSCREW	M 8 X 25 DIN 933	4
9	011505	CLAMP	HOSE 48	1
10-1	037784	SILENCER	AIR INTAKE INCLUDING REF 11-PROPULSION	1
10-2	037782	SILENCER	AIR INTAKE INCLUDING REF 11-GENSET	1
11	037641	SCREEN	AIR INTAKE SILENCER	1
12	024453	GASKET	MANIFOLD TO HEAD	6
13	024926	CONNECTOR	BREATHER HOSE TO MANIFOLD 108C	1

www.torresen.com



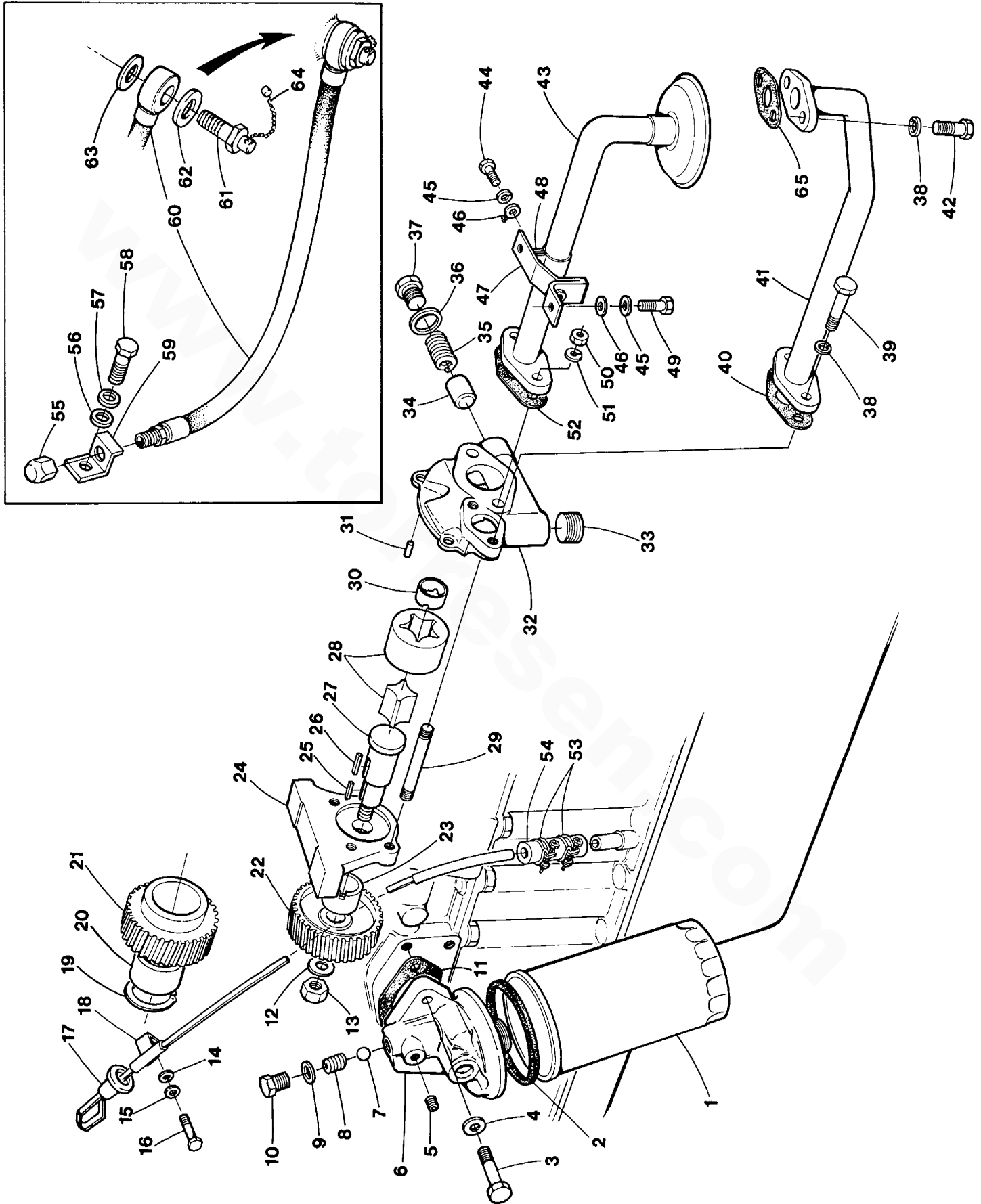
WESTERBEKE 108B SIX - 108C SIX - LUBE OIL FILTER AND PUMP



WESTERBEKE 108B SIX - 108C SIX - LUBE OIL FILTER AND PUMP

REF	PN	NAME	REMARKS	QUAN
1	040154	FILTER	LUBE OIL INCLUDING GASKET	1
2	032873	GASKET	LUBE OIL FILTER	1
3	032886	BOLT		3
4	031770	LOCKWASHER	7/16	3
5	030711	PLUG	1/8BSPT DIN 906	1
6	032867	ADAPTER	LUBE OIL FILTER	1
7	032887	BALL	STEEL	1
8	032862	SPRING		1
9	032861	O-RING		1
10	032860	PLUG		1
11	032851	GASKET	FILTER ADAPTER TO BLOCK	1
12	031777	WASHER	1/2 FLAT	1
13	031779	NUT	1/2NF JAM	1
14	031759	WASHER	5/16 FLAT	1
15	031758	LOCKWASHER	5/16	1
16	031577	CAPSCREW	5/16NF X 5/8 108B	1
17-1	032759	DIPSTICK	108B	1
17-2	040650	DIPSTICK	108C	1
18-1	032758	TUBE	DIPSTICK 108B	1
18-2	040410	TUBE	DIPSTICK 108C	1
19	033655	CIRCLIP		1
20	032844	BUSHING	IDLER GEAR	1
21	032843	GEAR	OIL PUMP IDLER	1
22-1	032836	GEAR	OIL PUMP DRIVE 108B	1
22-2	040726	GEAR	OIL PUMP DRIVE 108C	1
23	032831	BUSHING	OIL PUMP DRIVE GEAR 108B	1
24-1	032830	PUMP	LUBE OIL 108B	1
24-2	040723	PUMP	LUBE OIL 108C	1
25	032837	KEY	108B	1
26	032838	KEY	108B	1
27-1	032835	SHAFT	PUMP DRIVE INCLUDING ROTOR 108B	1
27-2	040725	SHAFT	PUMP DRIVE INCLUDING ROTOR 108C	1
28	032839	ROTOR	INNER AND OUTER 108B	1
29	032832	STUD	108B	2
30	032834	BUSHING	OIL PUMP COVER 108B	1
31	033665	DOWEL	4MM X 12MM DIN 6325	2
32-1	032833	COVER	OIL PUMP INCL 108B REF 30 THRU 37	1
32-2	040724	COVER	OIL PUMP 108C INCL REF 30 THRU 37	1
33	024903	PLUG	3/8-19 BSPT DIN 906	1
34	032840	PLUNGER	OIL RELIEF VALVE 108B	1
35	032841	SPRING	OIL RELIEF VALVE 108B	1
36	033666	WASHER	OIL RELIEF VALVE 108B	1
37	032842	PLUG	OIL RELIEF VALVE 108B	1

WESTERBEKE 108B SIX - 108C SIX - LUBE OIL FILTER AND PUMP



WESTERBEKE 108B SIX - 108C SIX - LUBE OIL FILTER AND PUMP

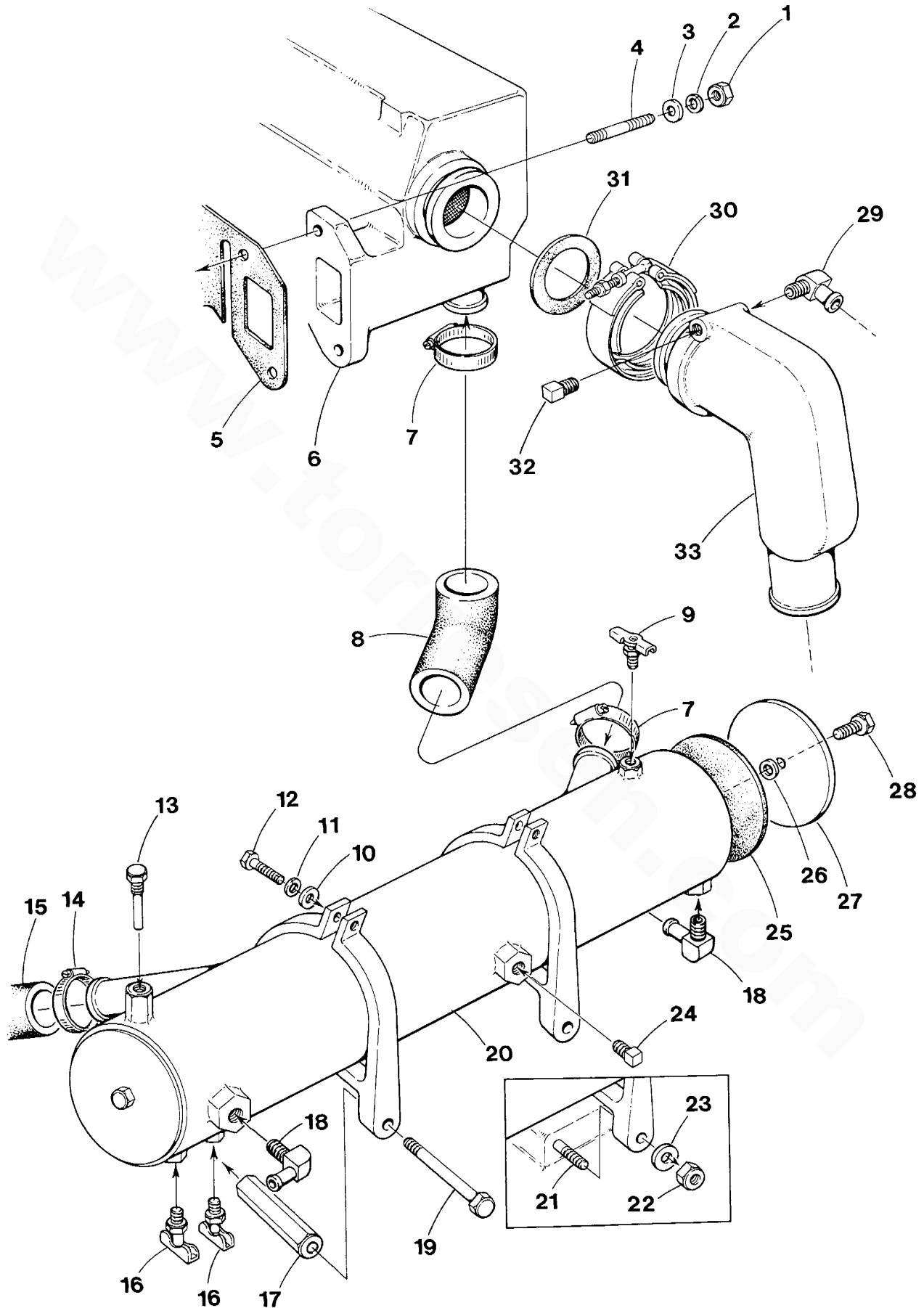
REF	PN	NAME	REMARKS	QUAN
38	031752	LOCKWASHER	1/4	6
39	031527	CAPSCREW	1/4NF X 5/8	4
40	030969	GASKET	OIL LINE	1
41-1	032849	LINE	OIL PUMP TO BLOCK 108B	1
41-2	040728	LINE	OIL PUMP TO BLOCK 108C	1
42	031528	CAPSCREW	1/4NF X 3/4	2
43-1	032788	STRAINER	OIL PICKUP 108B	1
43-2	040727	STRAINER	OIL PICKUP 108C	1
44	031530	CAPSCREW	1/4NF X 1	1
45	031752	LOCKWASHER	1/4	3
46	031753	WASHER	1/4 FLAT	3
47	032847	BRACKET	OIL STRAINER SUPPORT	1
48	032846	CLAMP	OIL STRAINER SUPPORT	1
49	031526	CAPSCREW	1/4NF X 1/2	2
50	031760	NUT	5/16NF	2
51	031758	LOCKWASHER	5/16	2
52	032845	GASKET	STRAINER TO PUMP	1
53	017298	CLAMP	HOSE	2
54	032875	HOSE	DIPSTICK TUBE	1
55	024905	CAP	SUMP DRAIN HOSE	1
56	031765	WASHER	3/8 FLAT	1
57	031764	LOCKWASHER	3/8	1
58	031606	CAPSCREW	3/8NC X 1-1/4	1
59	024922	BRACKET	SUMP DRAIN HOSE	1
60-1	030845	HOSE	SUMP DRAIN-BRACKET ON REAR 21 IN LG 108B	1
60-2	030848	HOSE	SUMP DRAIN-BRACKET ON FRONT 24IN LG 108B	1
60-3	040210	HOSE	SUMP DRAIN 108C	1
61-1	036821	BOLT	BANJO-SUMP DRAIN 108B	1
61-2	040199	BOLT	BANJO-SUMP DRAIN 108C	1
62-1	036493	WASHER	SUMP DRAIN BANJO 108B	1
62-2	040201	WASHER	SUMP DRAIN BANJO 108C	1
63-1	030291	WASHER	SUMP DRAIN BANJO 108B	1
63-2	040201	WASHER	SUMP DRAIN BANJO 108C	1
64	037393	SEAL	LEAD WIRE	1
65-1	041398	O-RING	OIL LINE TO BLOCK 108B	1
65-2	032845	GASKET	OIL LINE TO BLOCK 108C	1



WESTERBEKE 108B SIX - 108C SIX - FRESH WATER COOLING SYSTEM - FRONT

REF	PN	NAME	REMARKS	QUAN
1	024977	TANK KIT	COOLANT RECOVERY INCL REF 2 THRU 6	1
2	024858	CAP	COOLANT RECOVERY TANK	1
3	024786	STRAP	COOLANT RECOVERY TANK MOUNTING	1
4	024704	TANK	COOLANT RECOVERY	1
5	024637	TUBING	MANIFOLD TO TANK - INCHES REQUIRED	60
6	024906	CLAMP	HOSE	2
7	024907	ELBOW	MANIFOLD TO RECOVERY TANK HOSE	1
8	024306	CAP	PRESSURE	1
9	037302	MANIFOLD	EXHAUST INCLUDING CAP	1
10	035747	PLUG	1/2NPT BRASS SQUARE HEAD	1
11	035411	NAMEPLATE		1
12	031935	SCREW	8-32 X 1/4 SS OVAL HEAD	2
13	038233	HOSE	THERMOSTAT TO MANIFOLD	1
14	038193	CLAMP	HOSE 28	4
15	038226	HOUSING	THERMOSTAT UPPER	1
16	024601	PLUG	1/4NPT SOCKET HEAD	1
17	013970	PETCOCK	1/4NPT	1
18	013630	CAPSCREW	M 8 X 25 DIN 933	4
19	031786	LOCKWASHER	M 8 DIN 127	4
20-1	030125	SWITCH	WATER TEMPERATURE PROPULSION ALARM	1
20-2	039550	SWITCH	WATER TEMPERATURE GENSET SAFETY	1
21	032872	THERMOSTAT		1
22	038225	GASKET	THERMOSTAT	1
23	031847	NUT	10-32 SS HEX	1
24	031849	LOCKWASHER	10 SS	1
25	035109	SENDER	WATER TEMPERATURE	1
26	038228	HOUSING	THERMOSTAT LOWER	1
27	021878	CLAMP	HOSE 20	2
28	038234	HOSE	THERMOSTAT BYPASS TO PUMP	1
29	038232	HOSE	MANIFOLD TO THERMOSTAT	1
30	038235	BRACKET	THERMOSTAT HOUSING	1
31	031758	LOCKWASHER	5/16	2
32	031581	CAPSCREW	5/16NF X 1-1/4	1
33	031580	CAPSCREW	5/16NF X 1	1
34	031787	WASHER	M 8 DIN 125	2
35	031786	LOCKWASHER	M 8 DIN 127	2
36	013630	CAPSCREW	M 8 X 25 DIN 933	2
37	038866	HOSE	EXCHANGER TO PUMP	1
38	022559	CLAMP	HOSE 40	2
39	011752	PLUG	1/2NPT SOCKET HEAD	1
40		PUMP	FRESH WATER REFER TO SEPARATE PAGE	1

WESTERBEKE 108B SIX - 108C SIX - COOLING SYSTEM - REAR

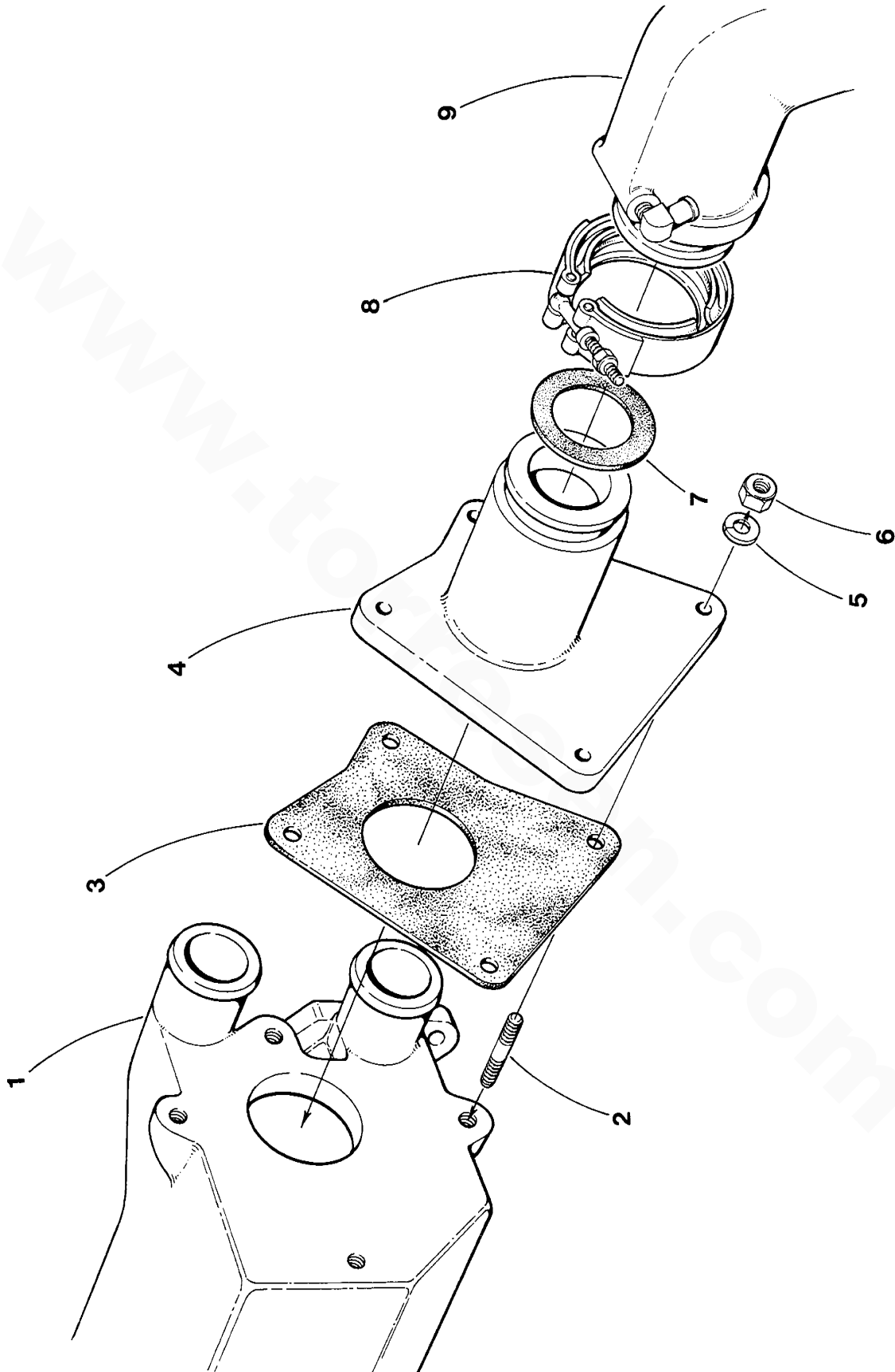


WESTERBEKE 108B SIX - 108C SIX - COOLING SYSTEM - REAR

REF	PN	NAME	REMARKS	QUAN
1	031756	NUT	5/16NC	20
2	031758	LOCKWASHER	5/16	20
3	031759	WASHER	5/16 FLAT	20
4	038510	STUD	5/16NF X 5/16NC X 1-3/4	20
5-1	038207	GASKET	EXHAUST MANIFOLD TO HEAD REAR	1
5-2	038426	GASKET	EXHAUST MANIFOLD TO HEAD FRONT	1
6	037302	MANIFOLD	EXHAUST	1
7	038193	CLAMP	HOSE 28	2
8	038232	HOSE	MANIFOLD TO EXCHANGER	1
9	011471	PETCOCK	1/8NPT	1
10	031753	WASHER	1/4 FLAT	2
11	031752	LOCKWASHER	1/4	2
12	031505	CAPSCREW	1/4NC X 1	2
13	011885	ZINC		1
14	038193	CLAMP	HOSE 28	1
15	038866	HOSE	EXCHANGER TO FRESH WATER PUMP	1
16	011471	PETCOCK	1/8NPT	2
17	039076	SPACER	EXCHANGER MOUNT - GENSET	2
18	036614	ELBOW	3/4NPT X 1" HOSE	2
19	013619	CAPSCREW	M 8 X 30 DIN 933 GENSET	2
20	039230	EXCHANGER	HEAT	1
21	015830	STUD	M 8 X 25 DIN 939 PROPULSION	2
22	018242	NUT	M 8 DIN 934 PROPULSION	2
23	031786	LOCKWASHER	M 8 DIN 127	2
24	035747	PLUG	1/2NPT SQUARE HEAD BRASS	1
25	033300	GASKET	EXCHANGER END	2
26	019321	O-RING		2
27	033299	COVER	EXCHANGER END	2
28	022852	CAPSCREW	3/8NC X 1/2 BRASS	2
29	036614	ELBOW	3/4NPT X 1" HOSE	1
30	038153	CLAMP	EXHAUST ELBOW TO MANIFOLD	1
31	038221	GASKET	EXHAUST ELBOW TO MANIFOLD	1
32	036849	PLUG	3/4NPT SQUARE HEAD BRASS	1
33-1	039334	ELBOW KIT	WATER INJECTED INCL REF 29-33 PROPULSION	1
33-2	038760	ELBOW KIT	WATER INJECTED INCL REF 29-33 GENSET	1



WESTERBEKE 108B SIX - 108C SIX - FRONT OPENING EXHAUST MANIFOLD



WESTERBEKE 108B SIX - 108C SIX - FRONT OPENING EXHAUST MANIFOLD

REF	PN	NAME	REMARKS	QUAN
1	038941	MANIFOLD	FRONT EXHAUST	1
2	037821	STUD	M 10 X 30 DIN 939	4
3	038224	GASKET	MANIFOLD TO FLANGE	1
4	038222	FLANGE	MANIFOLD TO EXHAUST ELBOW	1
5	019262	LOCKWASHER	M10 DIN 127	4
6	015887	NUT	M10 DIN 934	4
7	038221	GASKET	EXHAUST ELBOW TO FLANGE	1
8	038153	CLAMP	EXHAUST ELBOW TO FLANGE	1
9	039334	ELBOW KIT	WATER INJECTED EXHAUST INCL REF 7,8,9	1

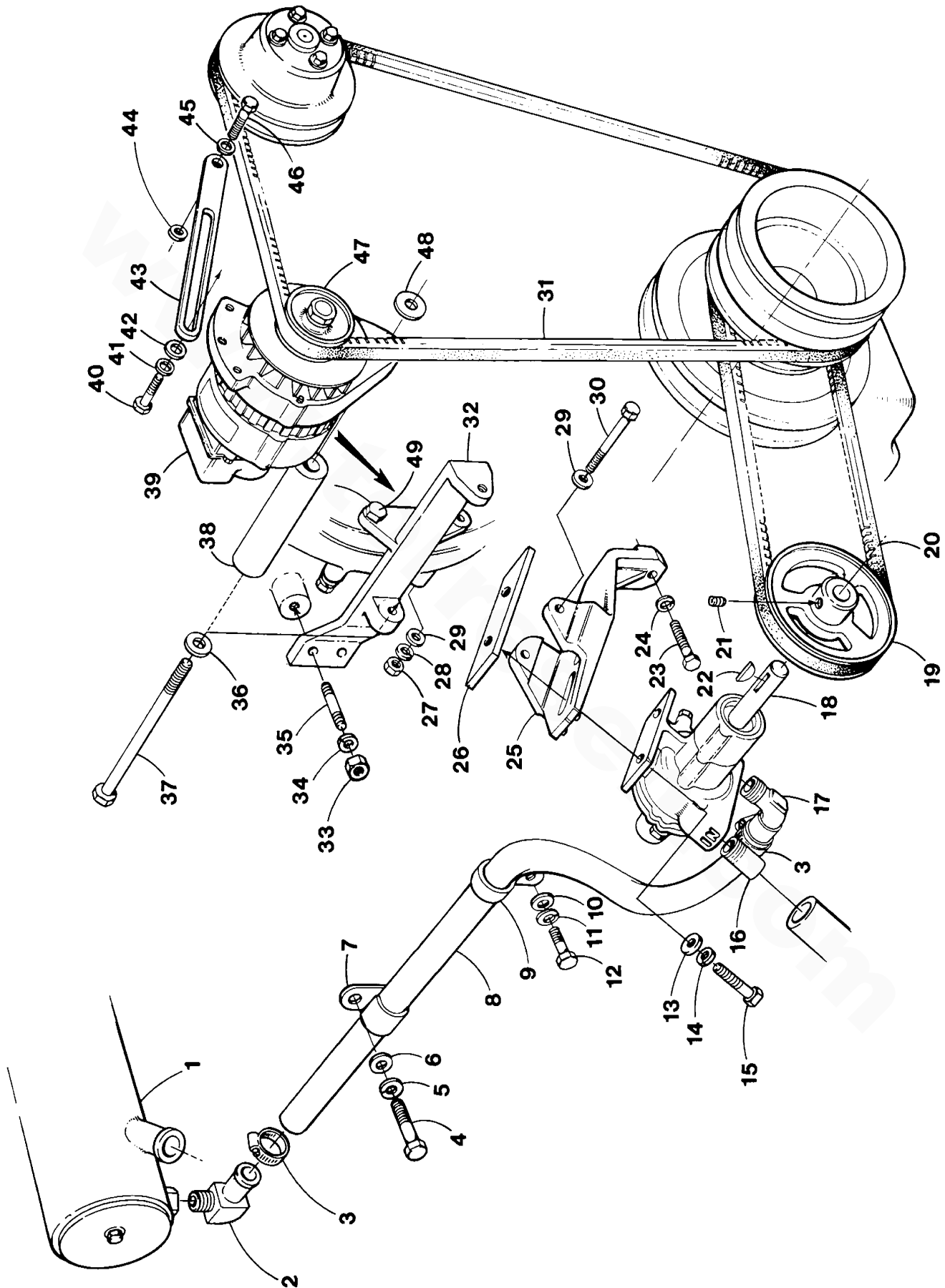
www.torresen.com



WESTERBEKE 108B SIX - 108C SIX - SEA WATER SYSTEM AND ALTERNATOR

REF	PN	NAME	REMARKS	QUAN
1	039230	EXCHANGER	HEAT	1
2	036614	ELBOW	3/4NPT X 1" HOSE	1
3	011405	CLAMP	HOSE 16	2
4	031730	CAPSCREW	1/2NF X 1	1
5	031776	LOCKWASHER	1/2	1
6	031777	WASHER	1/2 FLAT	1
7	037505	CLAMP	SUPPORT HOSE	1
8	011779	HOSE	1" ID WIRE INSERTED - INCHES REQUIRED	48
9	013741	CLAMP	SUPPORT HOSE	1
10	031759	WASHER	5/16 FLAT	1
11	031758	LOCKWASHER	5/16	1
12	031553	CAPSCREW	5/16NF X 3/4	1
13	031765	WASHER	3/8 FLAT	2
14	031764	LOCKWASHER	3/8	2
15	031631	CAPSCREW	3/8NF X 1-1/4	2
16-1	036622	NIPPLE	3/4NPT X 1" HOSE PROPULSION	1
16-2	036614	ELBOW	3/4NPT X 1" HOSE GENSET	1
17	036614	ELBOW	3/4NPT X 1" HOSE	1
18	038445	PUMP	SEA WATER	1
19-1	011371	PULLEY	SEA WATER PUMP DRIVE PROPULSION	1
19-2	038865	PULLEY	SEA WATER PUMP DRIVE GENSET	1
20-1	015768	BELT	SEA WATER PUMP PROPULSION	1
20-2	013810	BELT	SEA WATER PUMP GENSET	1
21	011357	SETSCREW	PULLEY RETAINING	1
22	022392	KEY	SEA WATER PUMP SHAFT TO PULLEY	1
23	024953	CAPSCREW	M10 X 1.25 X 35 DIN 961	1
24	019262	LOCKWASHER	M10 DIN 127	1
25-1	038513	BRACKET	SEA WATER PUMP 108B	1
25-2	040536	BRACKET	SEA WATER PUMP 108C	1
26	038435	PLATE	SEA WATER PUMP ADJUSTING	1
27	031760	NUT	5/16NF	1
28	031758	LOCKWASHER	5/16	1
29	031759	WASHER	5/16 FLAT	2
30	031592	CAPSCREW	5/16NF X 4	1
31	032544	BELT	ALTERNATOR AND FRESH WATER PUMP	1
32-1	032222	BRACKET	51 AMP ALTERNATOR	1
32-2	032584	BRACKET	90 AMP ALTERNATOR	1
33	031766	NUT	3/8NF	2
34	031764	LOCKWASHER	3/8	2
35	012502	STUD	3/8NF X 1-11/16	2

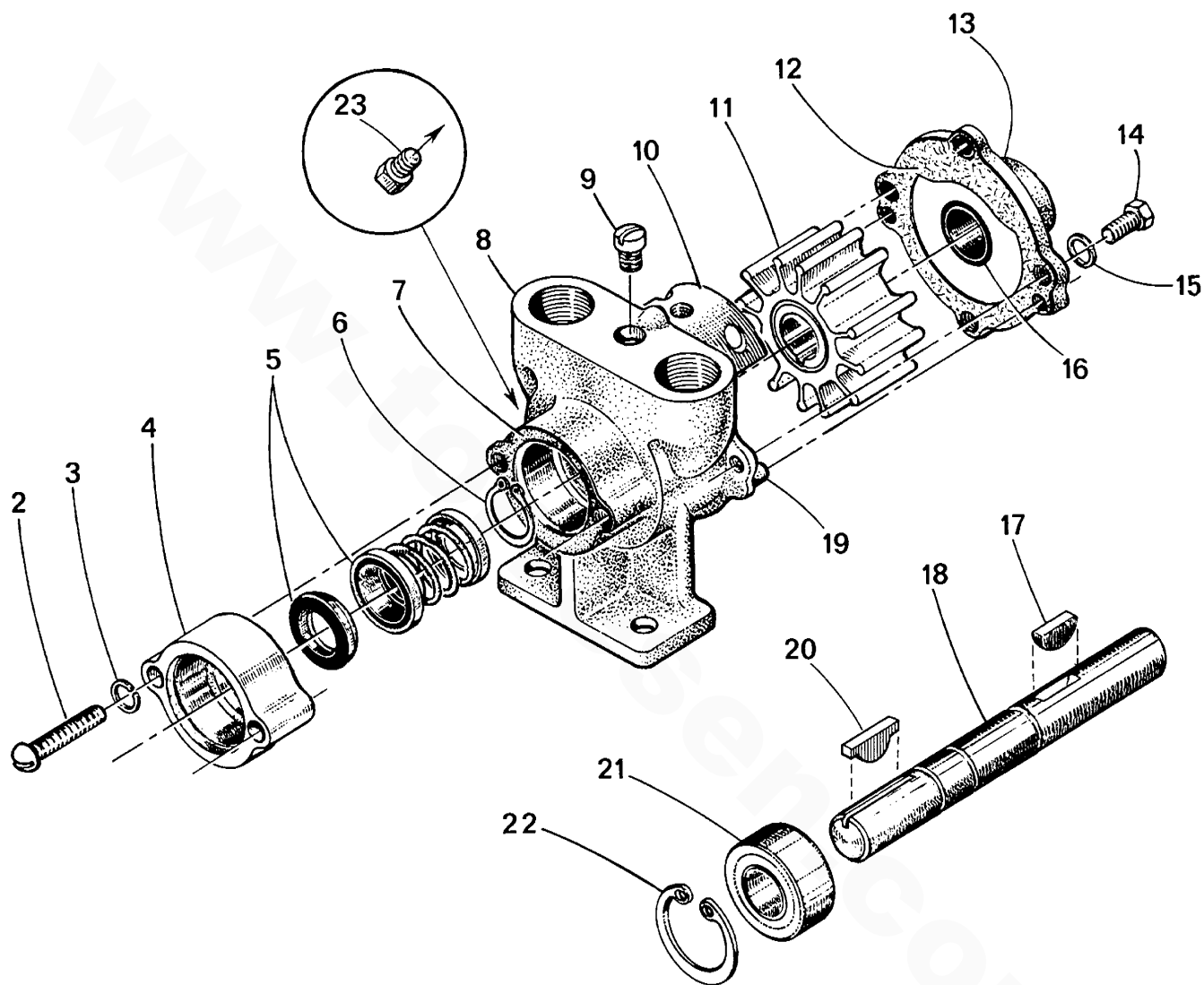
WESTERBEKE 108B SIX - 108C SIX - SEA WATER SYSTEM AND ALTERNATOR



WESTERBEKE 108B SIX - 108C SIX - SEA WATER SYSTEM AND ALTERNATOR

REF	PN	NAME	REMARKS	QUAN
36-1	031776	LOCKWASHER	1/2 51 AMP ALTERNATOR	1
36-2	031764	LOCKWASHER	3/8 90 AMP ALTERNATOR	1
37-1	031722	CAPSCREW	1/2NC X 5-1/4 51 AMP ALTERNATOR	1
37-2	031622	CAPSCREW	3/8NC X 5-1/4 90 AMP ALTERNATOR	1
38-1	030182	SPACER	51 AMP ALTERNATOR 108B	1
38-2	031169	SPACER	90 AMP ALTERNATOR 108B	1
38-3	038111	SPACER	51 AMP ALTERNATOR 108C	1
39	031201	DIAGRAM	WIRING 90 AMP ALTERNATOR	1
39-1	024684	ALTERNATOR	51 AMP 12VDC WITH REGULATOR	1
39-2	024579	REGULATOR		1
39-3	024580	GASKET	REGULATOR TO ALTERNATOR	1
39-4	030735	ALTERNATOR	90 AMP 12VDC WITH REGULATOR	1
40	031555	CAPSCREW	5/16NC X 1	1
41	031758	LOCKWASHER	5/16	1
42	033381	WASHER	ADJUSTING STRAP	1
43-1	033064	STRAP	ALTERNATOR ADJUSTING 108B	1
43-2	039978	STRAP	ALTERNATOR ADJUSTING 108C	1
44	031759	WASHER	5/16 FLAT	1
45-1	031758	LOCKWASHER	5/16 108B	1
45-2	019262	LOCKWASHER	M10 DIN 127 108C	1
46-1	031578	CAPSCREW	5/16NF X 3/4 108B	1
46-2	018813	CAPSCREW	M10 X 20 DIN 933 108C	1
47	032543	PULLEY	51 AMP ALTERNATOR	1
48	030168	SPACER	51 AMP ALTERNATOR	1
49	031588	CAPSCREW	5/16NF X 3	1

WESTERBEKE 108B SIX - 108C SIX - SEA WATER PUMP

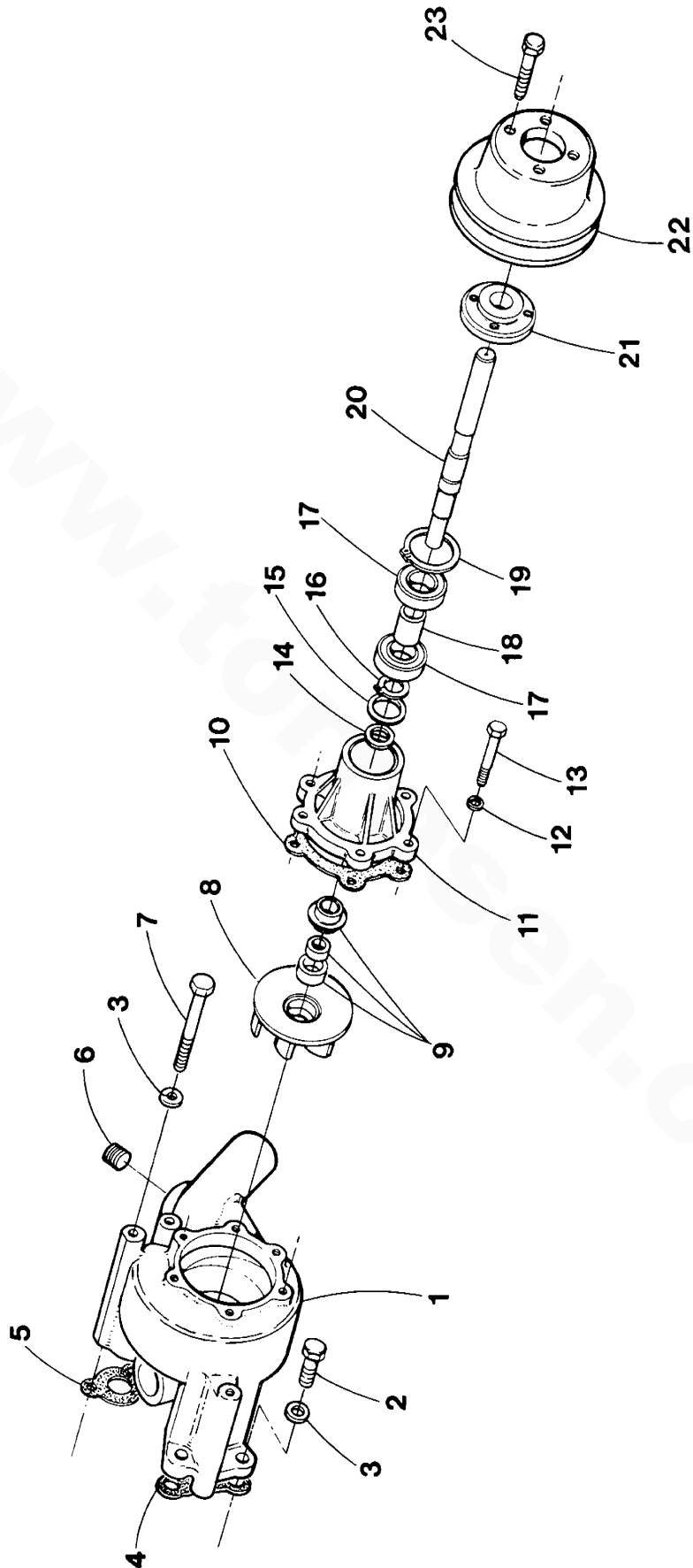


WESTERBEKE 108B SIX - 108C SIX - SEA WATER PUMP

REF	PN	NAME	REMARKS	QUAN
1	038445	PUMP	SEA WATER	1
2	018147	SCREW	BEARING HOUSING TO PUMP	2
3	032183	LOCKWASHER		2
4	018180	HOUSING	BEARING	1
5	014774	SEAL	INCLUDING SEAT	1
6	018145	RING	RETAINING	3
7	018154	GASKET	BEARING HOUSING TO PUMP HOUSING	1
8	039867	HOUSING	PUMP BODY	1
9	018151	SCREW	PUMP HOUSING TO CAM	1
10	018152	CAM		1
11	011907	IMPELLER	INCLUDING GASKET	1
12	011419	GASKET	IMPELLER COVER	1
13	018153	COVER	IMPELLER INCLUDING BUSHING	1
14	018143	CAPSCREW		4
15	032183	LOCKWASHER		4
16	018149	BUSHING	SHAFT END	1
17	018148	KEY	IMPELLER TO SHAFT	1
18	018164	SHAFT		1
19	018142	DOWEL	COVER TO PUMP HOUSING	2
20	022392	KEY	SEA WATER PUMP SHAFT TO PULLEY	1
21	018144	BEARING		1
22	018146	RING	RETAINING	1
23	019369	PLUG	1/8NPT HEX HEAD BRASS	1
24	033329	KIT	PUMP REPAIR INCL 6,7,9,10,11,12,16,21,22	1



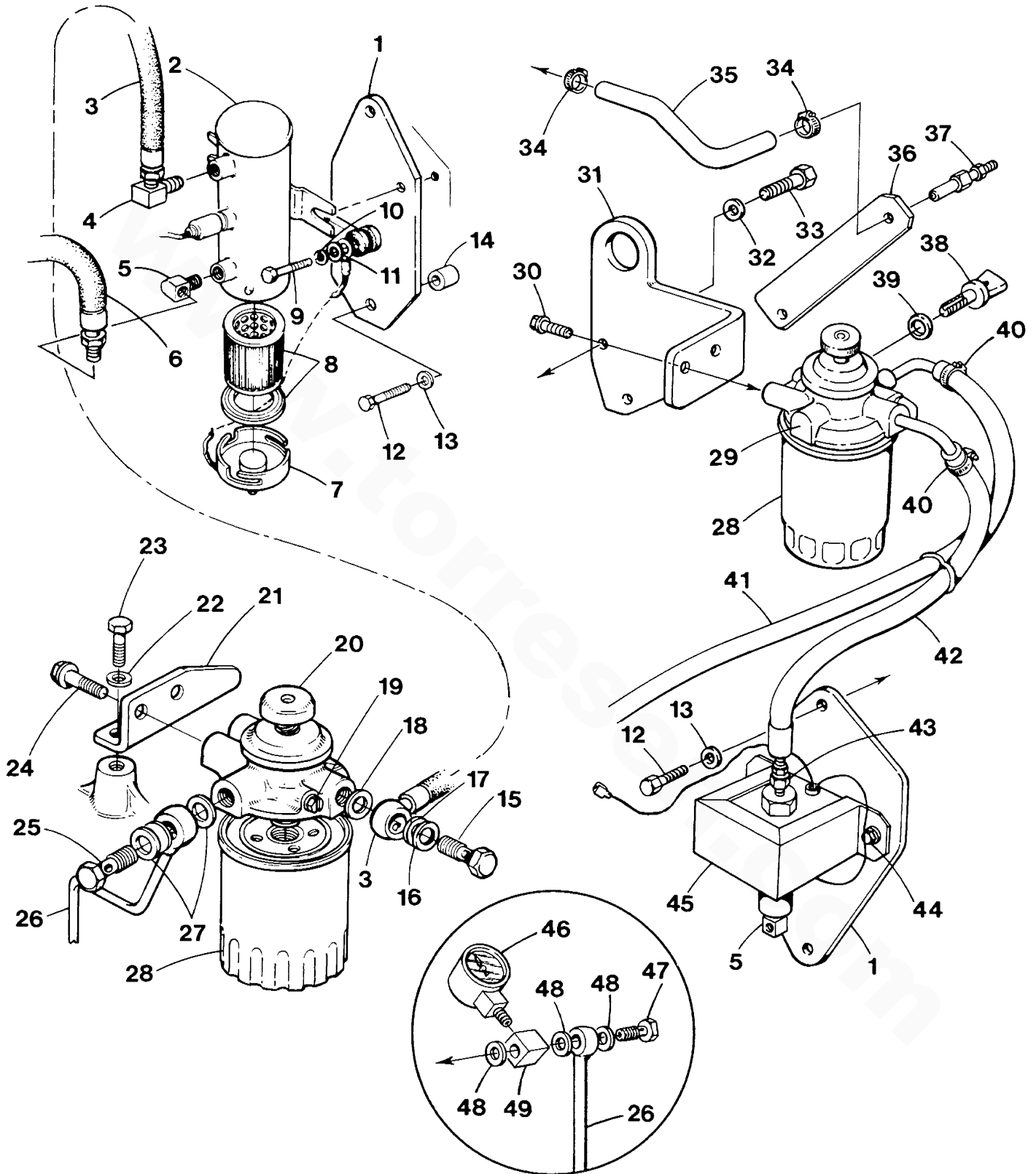
WESTERBEKE 108B SIX - 108C SIX - FRESH WATER PUMP



WESTERBEKE 108B SIX - 108C SIX - FRESH WATER PUMP

REF	PN	NAME	REMARKS	QUAN
1-1	032889	BODY	FRESH WATER PUMP 108B	1
1-2	040729	BODY	FRESH WATER PUMP 108C	1
2-1	031580	CAPSCREW	5/16NF X 1 108B	2
2-2	031581	CAPSCREW	5/16NF X 1-1/4 108C	2
3	031758	LOCKWASHER	5/16	4
4	032853	GASKET		1
5	032852	GASKET		1
6	011752	PLUG	1/2NPT SOCKET HEAD	1
7	031596	CAPSCREW	5/16NF X 5	2
8		IMPELLER	SEE REFERENCE 11	1
9	024480	SEAL	108B	1
10	032855	GASKET	HOUSING TO BODY	1
11-1	032895	HOUSING	BEARING ASSEMBLY 108B	1
11-2	040730	HOUSING	BEARING ASSEMBLY 108C	1
12	031752	LOCKWASHER	1/4	6
13	031526	CAPSCREW	1/4NF X 1/2	6
14	024481	SLINGER	108B	1
15	024479	PLATE	DUST SEAL 108B	1
16	024414	CIRCLIP	108B	1
17	024568	BEARING	108B	2
18	024477	SPACER	BEARING 108B	1
19	024413	CIRCLIP	108B	1
20		SHAFT	SEE REFERENCE 11	1
21	032713	FLANGE	WATER PUMP PULLEY 108B	1
22-1	032885	PULLEY	108B	1
22-2	040731	PULLEY	108C	1
23-1	033708	CAPSCREW	M 8 X 10 JIS-FLANGE 108B	4
23-2	031576	CAPSCREW	5/16NF X 1/2 108C	4

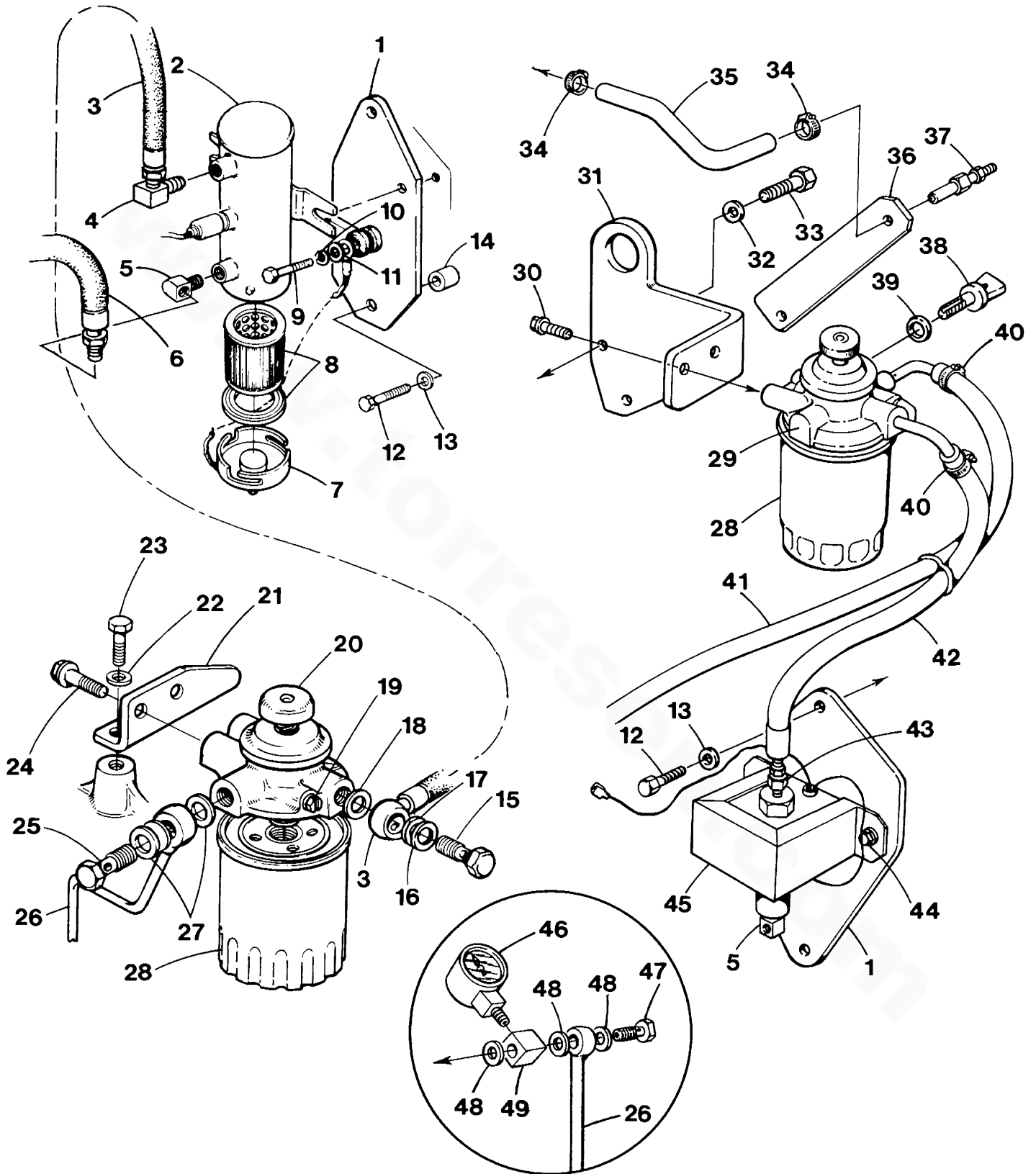
WESTERBEKE 108B SIX - 108C SIX - FUEL LIFT PUMP AND FILTER



WESTERBEKE 108B SIX - 108C SIX - FUEL LIFT PUMP AND FILTER

REF	PN	NAME	REMARKS	QUAN
1	039077	BRACKET	FUEL LIFT PUMP	1
2-1	024831	PUMP	FUEL LIFT 12 VDC REPLACED BY 39275	1
2-2	033721	PUMP	FUEL LIFT 24 VDC	1
3	039094	HOSE	LIFT PUMP TO FILTER 108B	1
4	022513	ELBOW	ADAPTER 108B	1
5	013340	ELBOW	1/8NPT STREET 90 BRASS	1
6	030025	HOSE	FUEL SUPPLY	1
7	033792	MAGNET	LIFT PUMP	1
8	030548	ELEMENT	LIFT PUMP FILTER INCLUDING GASKET	1
9	031530	CAPSCREW	1/4NF X 1	2
10	031752	LOCKWASHER	1/4	2
11	031753	WASHER	1/4 FLAT	2
12-1	034590	CAPSCREW	M10 X 40 DIN 931 GENSET	2
12-2	013631	CAPSCREW	M10 X 55 DIN 933 PROPULSION	2
13	019262	LOCKWASHER	M10 DIN 127	2
14	021722	SPACER		2
15	030139	BOLT	BANJO 108B	1
16	024972	WASHER	ALUMINUM 108B	1
17	030291	WASHER	BANJO M14	1
18	030290	WASHER	BANJO M12	1
19-1	032868	SCREW	FILTER BLEED 108B	1
19-2	032869	WASHER	FILTER BLEED 108B	1
20	032696	FILTER	FUEL WITH PRIMING PUMP 108B	1
21	032785	BRACKET	FUEL FILTER 108B	1
22	031764	LOCKWASHER	3/8	2
23	031629	CAPSCREW	3/8NF X 7/8	2
24	036215	CAPSCREW	M10 X 1.25 X 25 JIS-FLANGE	2
25	024506	BOLT	BANJO M12	1
26	032786	LINE	FILTER TO INJECTION PUMP 108B	1
27	024498	WASHER	BANJO M12	2
28	024363	FILTER	FUEL	1
29	040722	FILTER	FUEL WITH PRIMING PUMP 108C	1
30	033651	CAPSCREW	M10 X 1.25 X 20 JIS-FLANGE	2
31	040534	BRACKET	FUEL FILTER 108C	1
32	031764	LOCKWASHER	3/8	2
33	031630	CAPSCREW	3/8NF X 1	2
34	040384	CLAMP	HOSE	2
35	036869	HOSE	FUEL RETURN 3/16 - INCHES REQUIRED	5
36	039158	CONNECTOR	FUEL RETURN ASSEMBLY	1
37	013346	ADAPTER		1

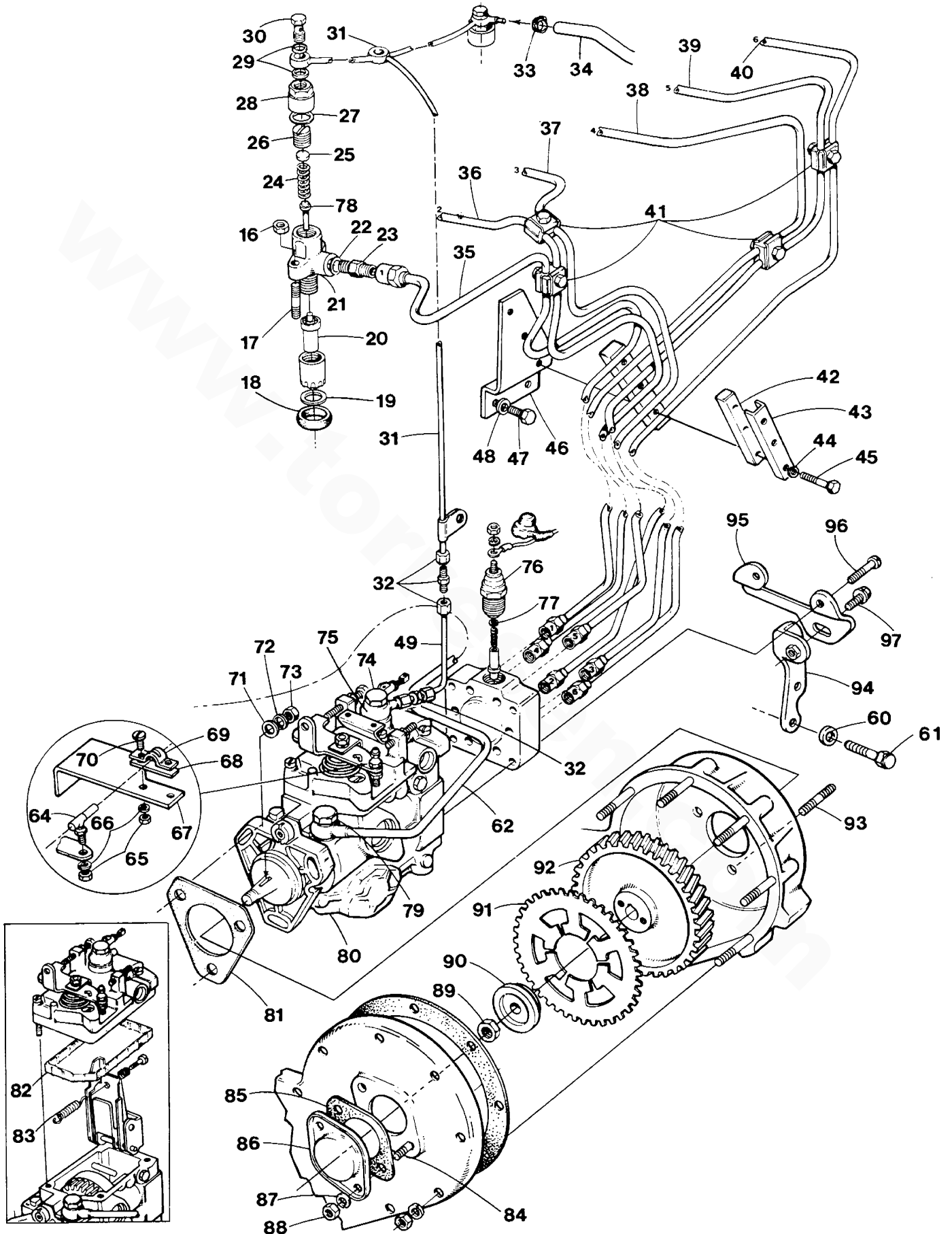
WESTERBEKE 108B SIX - 108C SIX - FUEL LIFT PUMP AND FILTER



WESTERBEKE 108B SIX - 108C SIX - FUEL LIFT PUMP AND FILTER

REF	PN	NAME	REMARKS	QUAN
38	040734	SCREW	FILTER BLEED 108C	1
39	040733	WASHER	FILTER BLEED 108C	1
40	024906	CLAMP	HOSE 108C	3
41	022927	HOSE	FILTER TO INJCTN PUMP 108C - INCHES REQD	27
42	040538	HOSE	LIFT PUMP TO FILTER 108C	1
43	015289	ADAPTER	LIFT PUMP TO HOSE	1
44-1	031526	CAPSCREW	1/4NF X 1/2	2
44-2	031752	LOCKWASHER	1/4	2
45	039275	PUMP	FUEL LIFT 12 VDC	1
46-1	019369	PLUG	1/8NPT HEX HEAD BRASS	1
46-2	035827	GAUGE	FUEL PRESSURE - GENSET OPTIONAL	1
47	035950	BOLT	BANJO - FUEL PRESSURE GAUGE	1
48	030290	WASHER	BANJO M12	3
49	035949	BANJO	FUEL PRESSURE GAUGE - GENSET	1

WESTERBEKE 108B SIX - 108C SIX - FUEL SYSTEM

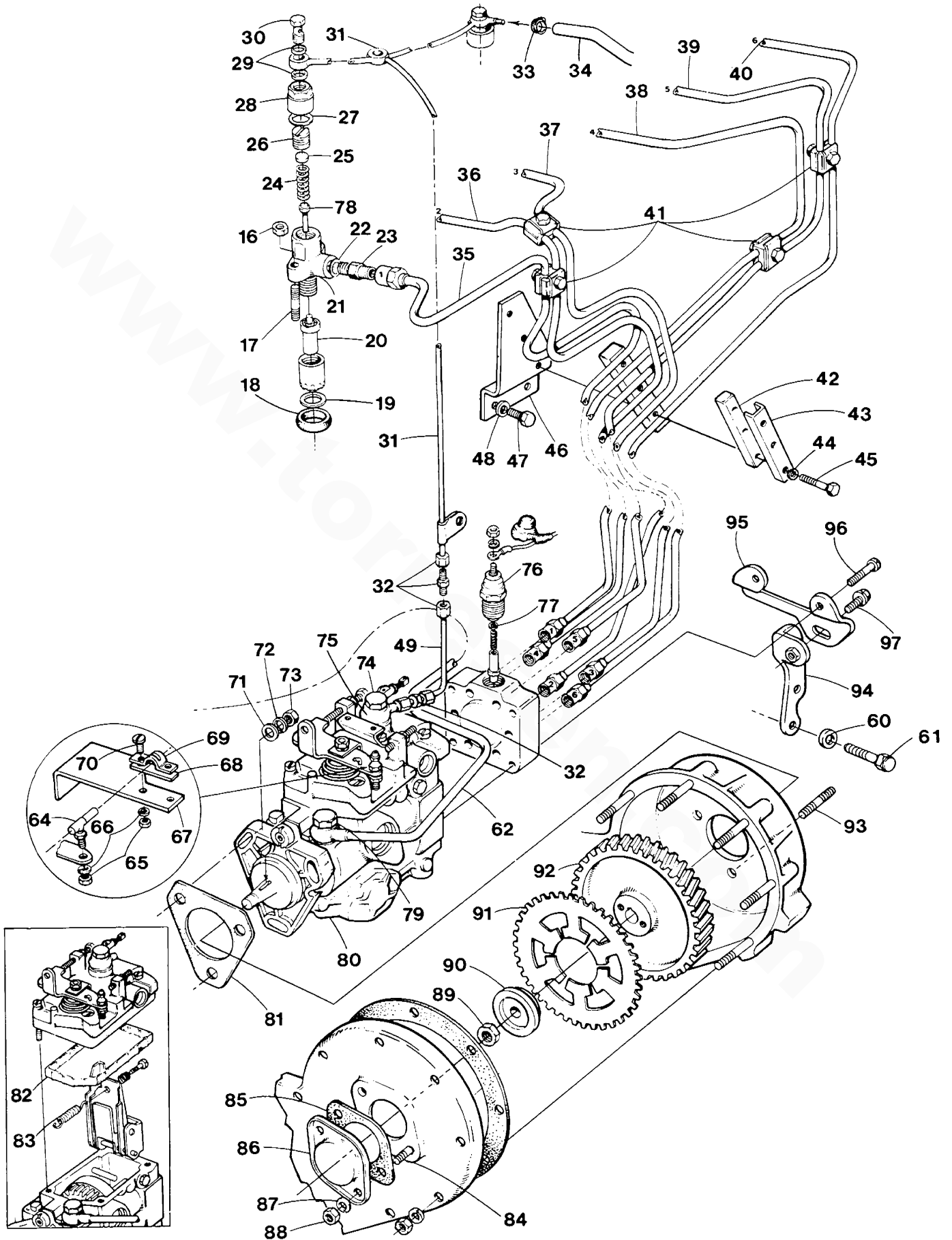


WESTERBEKE 108B SIX - 108C SIX - FUEL SYSTEM

REF	PN	NAME	REMARKS	QUAN
16	031760	NUT	5/16NF	12
17	032379	STUD	5/16NF X 1-5/8	12
18	024527	SEAL	DUST	6
19	024454	WASHER	NOZZLE	6
20	024565	NOZZLE	INJECTOR	6
21	024563	INJECTOR	ASSEMBLY INCLUDING REF 20 THRU 28	6
22	024499	WASHER		6
23	024505	ADAPTER	CONNECT FUEL LINES TO INJECTOR	6
29	011943	WASHER	BANJO BOLT	12
30	024500	BOLT	BANJO - INJECTOR LEAK-OFF	6
31	032776	LINE	INJECTOR LEAK-OFF	1
32-1	024600	UNION	COMPRESSION INCL NUT AND FERRULE	2
32-2	013344	NUT	COMPRESSION	4
32-3	013343	FERRULE		4
33	040384	CLAMP	HOSE	1
34	036869	HOSE	FUEL RETURN TO CONNECTOR - INCHES REQ'D	7
35-1	032777	LINE	INJECTOR 1 108B	1
35-2	040715	LINE	INJECTOR 1 108C	1
36-1	032778	LINE	INJECTOR 2 108B	1
36-2	040716	LINE	INJECTOR 2 108C	1
37-1	032779	LINE	INJECTOR 3 108B	1
37-2	040717	LINE	INJECTOR 3 108C	1
38-1	032780	LINE	INJECTOR 4 108B	1
38-2	040718	LINE	INJECTOR 4 108C	1
39-1	032781	LINE	INJECTOR 5 108B	1
39-2	040719	LINE	INJECTOR 5 108C	1
40-1	032782	LINE	INJECTOR 6 108B	1
40-2	040720	LINE	INJECTOR 6 108C	1
41-1	024455	CLAMP	FUEL LINE	8
41-2	024456	CHANNEL	FUEL LINE CLAMP	8
41-3		CAPSCREW	10-32 X 1	4
41-4	031849	LOCKWASHER	10 SS	4
41-5	031847	NUT	10-32 SS HEX	4
42	032827	CLAMP	FUEL LINE	2
43	032828	CHANNEL	FUEL LINE CLAMP	2
44	031849	LOCKWASHER	10 SS	3
45		CAPSCREW	10-32 X 1	3
46	032829	BRACKET	FUEL LINE SUPPORT	1
47	031577	CAPSCREW	5/16NF X 5/8	2
48	031758	LOCKWASHER	5/16	2
49	033058	LINE	INJECTION PUMP RETURN	1
60	031770	LOCKWASHER	7/16	1
61	032886	BOLT		1



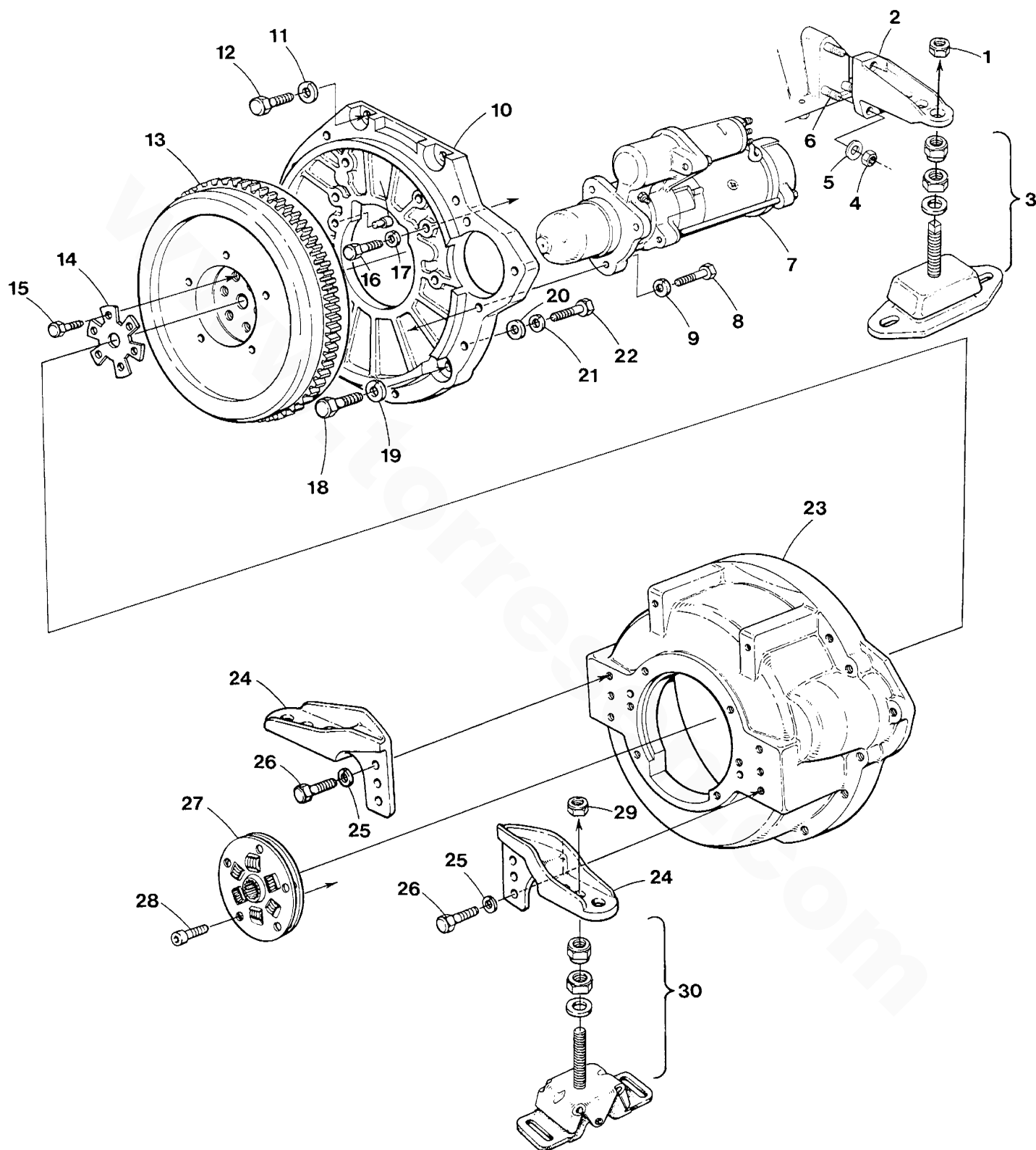
WESTERBEKE 108B SIX - 108C SIX - FUEL SYSTEM



WESTERBEKE 108B SIX - 108C SIX - FUEL SYSTEM

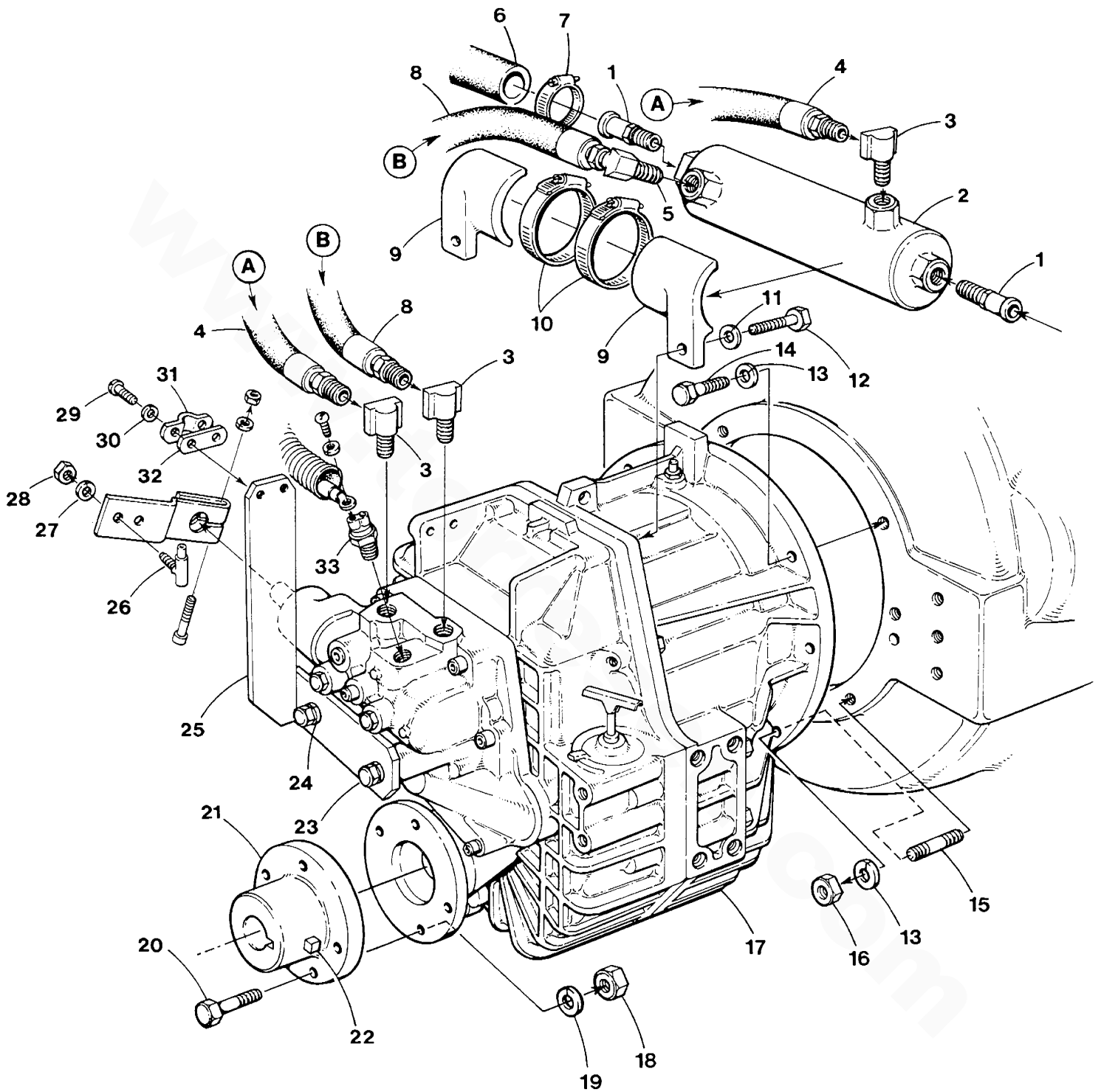
REF	PN	NAME	REMARKS	QUAN
62	032786	LINE	FUEL FILTER TO INJECTION PUMP	1
64	019364	BALLJOINT	THROTTLE CABLE	1
65	031847	NUT	10-32 SS HEX	2
66	031849	LOCKWASHER	10 SS	2
67-1	032268	BRACKET	THROTTLE CABLE 108B	1
67-2	041021	BRACKET	THROTTLE CABLE 108C	1
68	013870	SHIM	THROTTLE CABLE	1
69	013325	CLAMP	THROTTLE CABLE	1
70	031873	SCREW	10-32 X 5/8 SS BINDING HEAD	2
71	032864	WASHER	INJECTION PUMP	3
72	031758	LOCKWASHER	5/16	3
73	031760	NUT	5/16NF	3
74-1	024501	BOLT	BANJO	1
74-2	024498	WASHER	BANJO M12	2
75	024502	BANJO	INJECTION PUMP RETURN	1
76-1	024338	SOLENOID	FUEL SHUT-OFF 12 VDC	1
76-2	031285	SOLENOID	FUEL SHUT-OFF 24 VDC	1
76-3	034913	SOLENOID	FUEL SHUT-OFF 12 VDC UNGROUNDED	1
76-4	034992	SOLENOID	FUEL SHUT-OFF 24 VDC UNGROUNDED	1
77	024339	O-RING	FUEL SOLENOID	1
79-1	032806	BOLT	BANJO	1
79-2	024498	WASHER	BANJO M12	2
80-1	032894	PUMP	FUEL INJECTION 108B	1
80-2	032808	PUMP	INJECTION 32.0 BED W/MECHANICAL GOVERNOR	1
80-3	032894	PUMP	INJECTION 32.0 BED W/ELECTRONIC GOVERNOR	1
80-4	040721	PUMP	FUEL INJECTION 108C - 32.0 BEDB	1
81	032898	GASKET	FUEL INJECTION PUMP	1
82	024542	GASKET	PUMP GOVERNOR COVER	1
83-1	032801	SPRING	GOVERNOR - PROPULSION	1
83-2	032547	SPRING	GOVERNOR - GENSET W/MECHANICAL GOVERNOR	1
83-3	032801	SPRING	GOVERNOR - GENSET W/ELECTRONIC GOVERNOR	1
84-1	032381	STUD	5/16NF X 3/4 108B	2
84-2	012498	STUD	5/16NF X 7/8 108C	2
85	024399	GASKET	INJECTION PUMP GEAR COVER	1
86	024398	COVER	INJECTION PUMP GEAR	1
87	031758	LOCKWASHER	5/16	2
88	031760	NUT	5/16NF	2
89	032692	NUT	INJECTION PUMP	1
90	032695	WASHER	INJECTION PUMP	1
91	032775	GEAR	FRICTION	1
92	032784	GEAR	INJECTION PUMP DRIVE	1
93	032379	STUD	5/16NF X 1-5/8	3
94	032783	BRACKET	INJECTION PUMP SUPPORT - LOWER	1
95	033711	BRACKET	INJECTION PUMP SUPPORT - UPPER	1
96	033710	SCREW	INJECTION PUMP SUPPORT BRACKET	2
97	016789	CAPSCREW	M 8 X 16 DIN 933	1

WESTERBEKE 108B SIX - 108C SIX - BACK END - MOUNTING SYSTEM



WESTERBEKE 108B SIX - 108C SIX - BACK END - MOUNTING SYSTEM

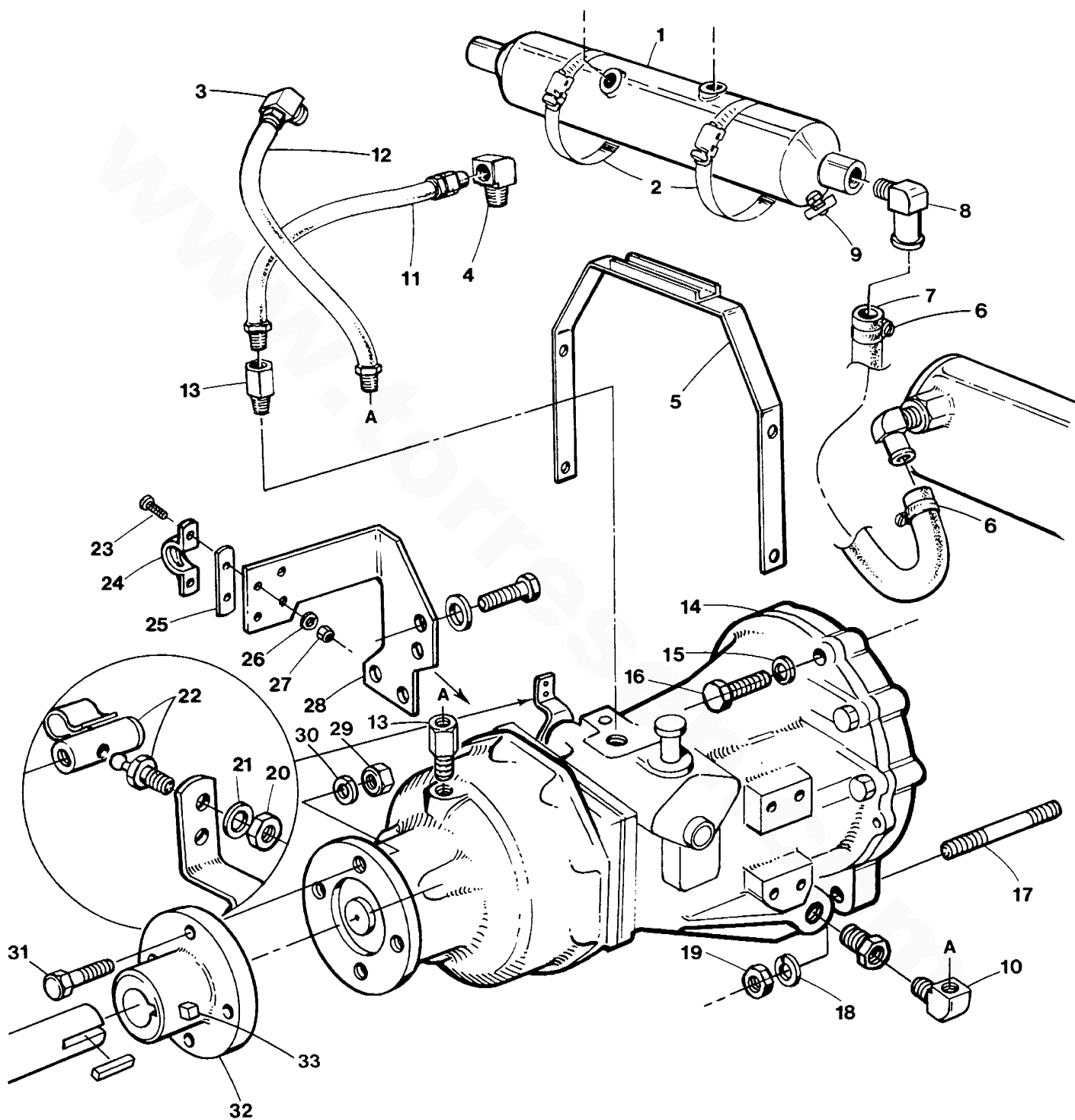
REF	PN	NAME	REMARKS	QUAN
1	036338	NUT	M16 DIN 985 ISOLATOR 36334	4
2	023954	MOUNT	FRONT	2
3	036334	ISOLATOR	TO JANUARY 1995	4
4	031772	NUT	7/16NF	6
5	031770	LOCKWASHER	7/16	6
6	012503	STUD	7/16NF X 1-9/16	6
7	038384	MOTOR	STARTER 12 VDC	1
8	034833	CAPSCREW	M10 X 60 DIN 912 FULLY THREADED	3
9	019262	LOCKWASHER	M10 DIN 127	3
10-1	038403	BACKPLATE	108B	1
10-2	038427	BACKPLATE	108C	1
11	031764	LOCKWASHER	3/8	2
12	031630	CAPSCREW	3/8NF X 1	2
13-1	039090	FLYWHEEL	INCLUDING RING GEAR 108B	1
13-2	040960	FLYWHEEL	INCLUDING RING GEAR 108C	1
13-3	038392	GEAR	RING	1
14	031166	TABWASHER		1
15	024411	BOLT	FLYWHEEL	6
16	031632	CAPSCREW	3/8NF X 1-1/2	6
17	031764	LOCKWASHER	3/8	6
18	031223	CAPSCREW	M14 X 1.5 X 30 DIN 961 108B	2
19	031797	LOCKWASHER	M14 DIN 127 108B	2
20	031789	WASHER	M10 DIN 125	7
21	019262	LOCKWASHER	M10 DIN 127	7
22	034590	CAPSCREW	M10 X 40 DIN 931	7
23	038376	HOUSING	FLYWHEEL	1
24	038578	MOUNT	REAR	2
25	019262	LOCKWASHER	M10 DIN 127	6
26	034589	CAPSCREW	M10 X 30 DIN 933	6
27-1	011618	DAMPER	HBW OR WARNER 108B	1
27-2	040896	DAMPER	HSW630 108C	1
28-1	024778	CAPSCREW	DAMPER TO FLYWHEEL WITH DAMPER 11618	5
28-2	017498	CAPSCREW	1/4NC X 3/4 SOCKET WITH DAMPER 40896	8
29	040966	NUT	M16 JAM SELF-LOCKING ISOLATOR 40512	8
30	040512	ISOLATOR	FROM JANUARY 1995	4



WESTERBEKE 108B SIX - 108C SIX - MODEL HSW 630 TRANSMISSION

REF	PN	NAME	REMARKS	QUAN
1	036622	NIPPLE	3/4NPT X 1" HOSE	2
2	036650	COOLER	OIL	1
3	013330	ELBOW	MALE 3/8NPT 90 TO HOSE	3
4	023567	HOSE	OIL	1
5	013331	ELBOW	MALE 3/8NPT 45 TO HOSE	1
6	011779	HOSE	1" ID WIRE INSERTED - INCHES REQUIRED	12
7	011405	CLAMP	HOSE 16	2
8	036121	HOSE	OIL	1
9	039155	BRACKET	COOLER - SET	1
10	011411	CLAMP	HOSE 32	2
11	019262	LOCKWASHER	M10 DIN 127	2
12	034590	CAPSCREW	M10 X 40 DIN 933	2
13	031770	LOCKWASHER	7/16	6
14	031656	CAPSCREW	7/16NC X 1-1/4	4
15	039276	STUD	7/16NC X 1-3/4	2
16	031768	NUT	7/16NC	2
17-1	038608	GEAR	HSW630H 2:1	1
17-2	039789	GEAR	HSW630H 2.5:1	1
17-3	038609	GEAR	HSW630H 2.8:1	1
17-4	038610	GEAR	HSW630A 2:1	1
17-5	038611	GEAR	HSW630A 2.5:1	1
17-6	038132	GEAR	HSW630V 2:1	1
18	031772	NUT	7/16NF	4
19	031770	LOCKWASHER	7/16	4
20	031682	CAPSCREW	7/16NF X 1-1/2	4
21-1	011961	COUPLING	1.0 IN BORE	1
21-2	011962	COUPLING	1.125 IN BORE	1
21-3	011963	COUPLING	1.25 IN BORE	1
21-4	011964	COUPLING	1.375 IN BORE	1
21-5	023609	COUPLING	1.5 IN BORE	1
21-6	039323	COUPLING	1.75 IN BORE	1
22	023653	SETSCREW	COUPLING 3/8NC X 1-1/4	2
23	031603	CAPSCREW	3/8NC X 3/4	2
24	031764	LOCKWASHER	3/8	2
25	039154	BRACKET	SHIFT CABLE	1
26	033482	BALLJOINT	SHIFT CABLE	1
27	031752	LOCKWASHER	1/4	1
28	031754	NUT	1/4NF	1
29	031873	SCREW	10-32 X 5/8 SS BINDING HEAD	2
30	031849	LOCKWASHER	10 SS	2
31	013325	CLAMP	SHIFT CABLE	1
32	013870	SHIM	SHIFT CABLE	1
33		SWITCH	NEUTRAL SAFETY	1

WESTERBEKE 108B SIX - 108C SIX - WARNER TRANSMISSION

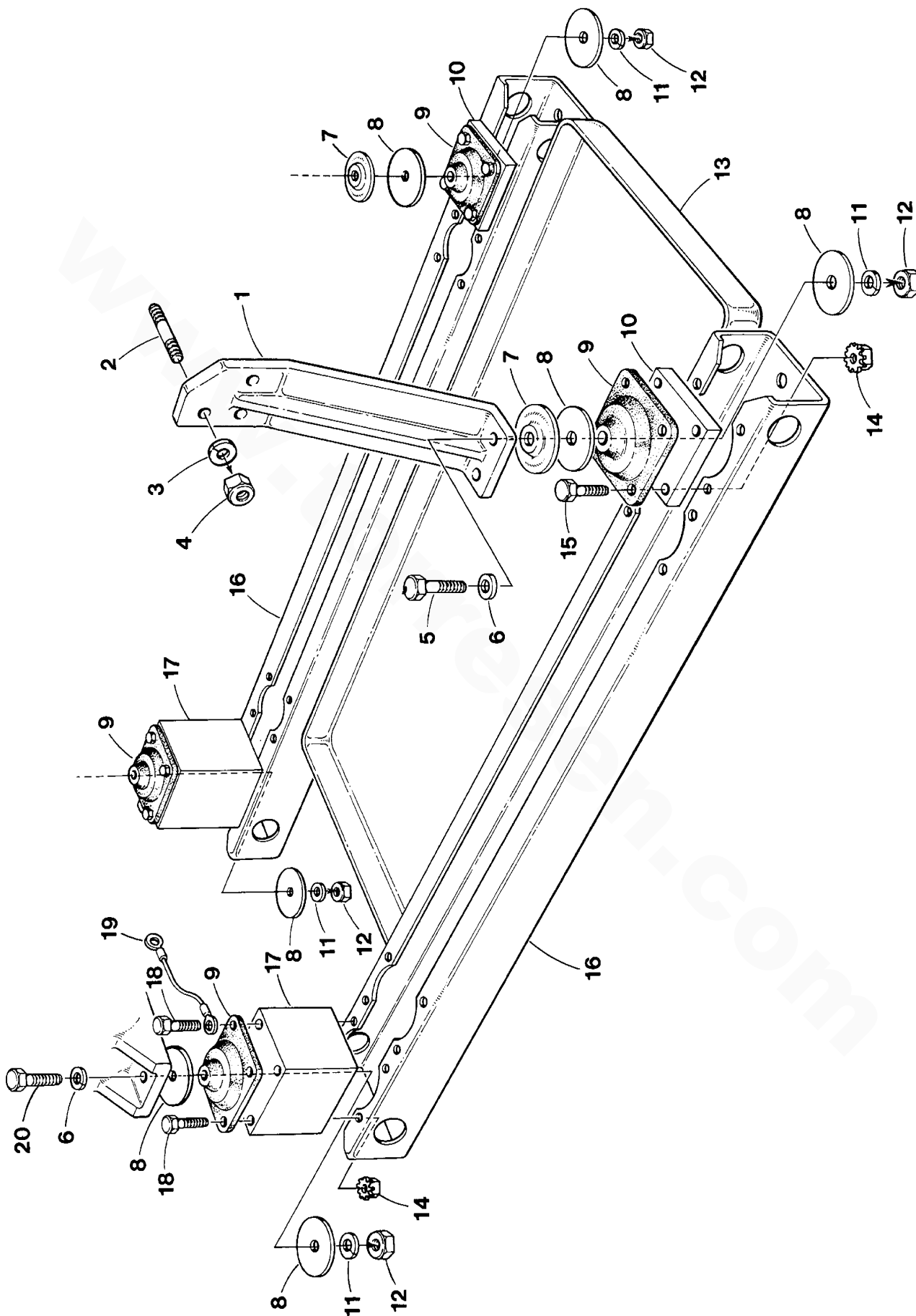


WESTERBEKE 108B SIX - 108C SIX - WARNER TRANSMISSION

REF	PN	NAME	REMARKS	QUAN
1	036650	COOLER	OIL	1
2	011411	CLAMP	HOSE 32 - MOUNT COOLER TO BRACKET	2
3	013330	ELBOW	COOLER TO HOSE	1
4	013338	ELBOW	3/8NPT STREET 90 BRASS	1
5	013057	BRACKET	COOLER MOUNT TO TRANSMISSION	1
6	011405	CLAMP	HOSE 16	2
7	011779	HOSE	1" ID WIRE INSERTED - INCHES REQUIRED	16
8	036614	ELBOW	3/4NPT X 1" HOSE	2
9	011471	PETCOCK	1/8NPT	1
10	013330	ELBOW	HOSE TO TRANSMISSION	1
11	011921	HOSE	OIL	1
12-1	022114	HOSE	OIL - 1:1 AND 2:1 TRANSMISSION	1
12-2	023567	HOSE	OIL - REDUCTION TRANSMISSION EXCEPT 2:1	1
13-1	013348	CONNECTOR	HOSE TO TRANSMISSION EXCEPT 2:1	1
13-2	013348	CONNECTOR	HOSE TO 2:1 TRANSMISSION	2
14-1	011630	GEAR	HYDRAULIC 1:1	1
14-2	011631	GEAR	HYDRAULIC 1.5:1	1
14-3	037297	GEAR	HYDRAULIC 1.88:1 OPPOSITE ROTATION	1
14-4	011632	GEAR	HYDRAULIC 2:1	1
14-5	011633	GEAR	HYDRAULIC 2.5:1	1
14-6	011634	GEAR	HYDRAULIC 3:1	1
15	031770	LOCKWASHER	7/16	4
16	031665	CAPSCREW	7/16NC X 3-1/2	4
17	023467	STUD	7/16NC X 4	2
18	031770	LOCKWASHER	7/16	2
19	031768	NUT	7/16NC	2
20	031754	NUT	1/4NF	1
21	031752	LOCKWASHER	1/4	1
22	033482	BALLJOINT	SHIFT CABLE	1
23	031873	SCREW	10-32 X 5/8 SS BINDING HEAD	2
24	013325	CLAMP	SHIFT CABLE	1
25	013870	SHIM	SHIFT CABLE	1
26	031849	LOCKWASHER	10 SS	2
27	031847	NUT	10-32 SS HEX	2
28	032315	BRACKET	SHIFT CABLE	1
29	031768	NUT	7/16NC	4
30	031770	LOCKWASHER	7/16	4
31	031655	CAPSCREW	7/16NC X 1	4
32- 1	023706	COUPLING	DIRECT DRIVE 0.75 IN BORE	1
32- 2	023707	COUPLING	DIRECT DRIVE 0.875 IN BORE	1
32- 3	023708	COUPLING	DIRECT DRIVE 1.0 IN BORE	1
32- 4	023709	COUPLING	DIRECT DRIVE 1.125 IN BORE	1
32- 5	023710	COUPLING	DIRECT DRIVE 1.25 IN BORE	1
32- 6	023711	COUPLING	DIRECT DRIVE 1.375 IN BORE	1
32- 7	023712	COUPLING	DIRECT DRIVE 1.5 IN BORE	1
32- 8	011961	COUPLING	REDUCTION 1.0 IN BORE	1
32- 9	011962	COUPLING	REDUCTION 1.125 IN BORE	1
32-10	011963	COUPLING	REDUCTION 1.25 IN BORE	1
32-11	011964	COUPLING	REDUCTION 1.375 IN BORE	1
32-12	023609	COUPLING	REDUCTION 1.5 IN BORE	1
32-13	039323	COUPLING	REDUCTION 1.75 IN BORE	1
33-1	023652	SETSCREW	COUPLING 3/8NC X 1	2
33-2	023653	SETSCREW	COUPLING 3/8NC X 1-1/4	2



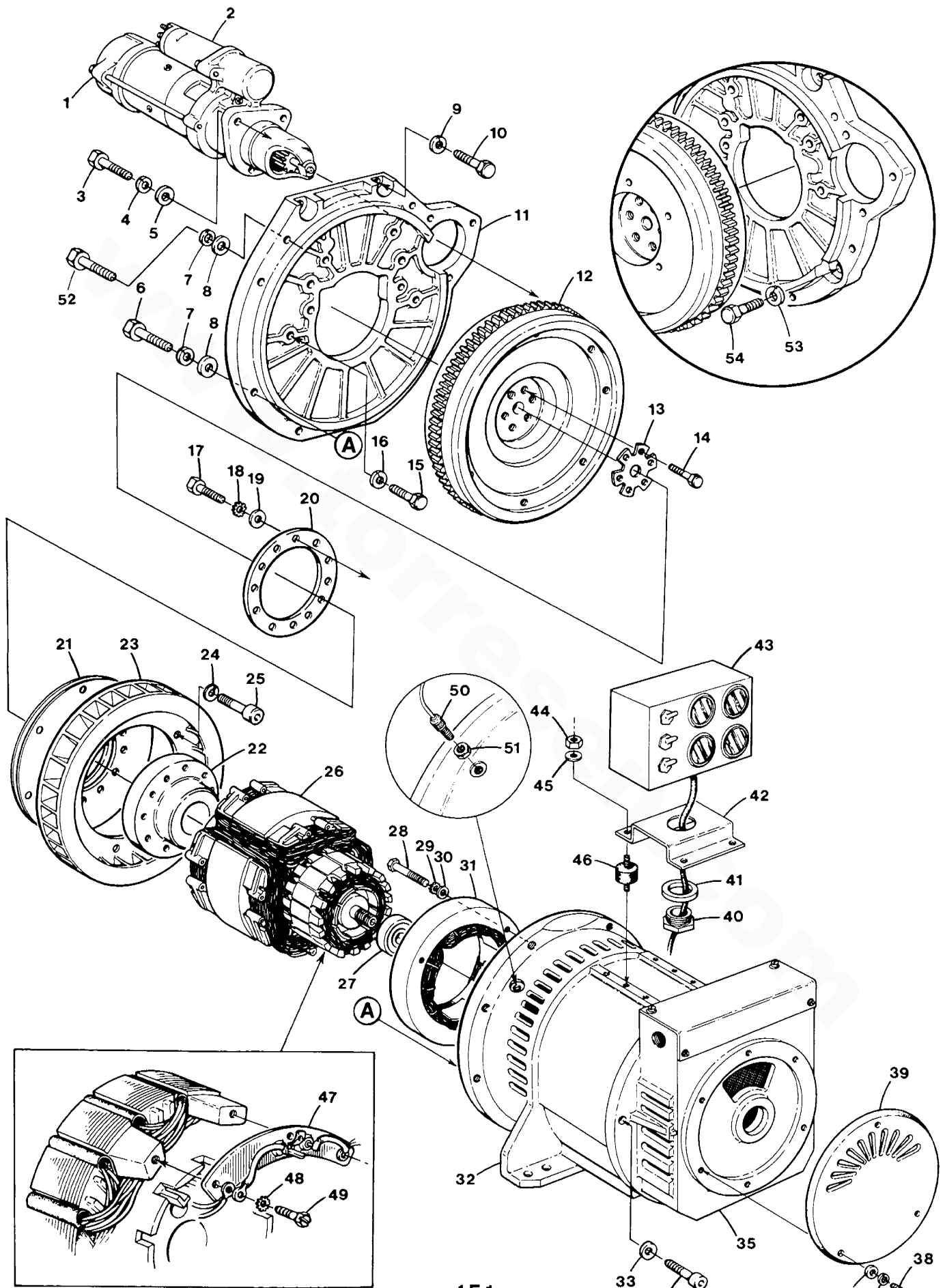
WESTERBEKE 32.0 BED - MOUNTING SYSTEM



WESTERBEKE 32.0 BED - MOUNTING SYSTEM

REF	PN	NAME	REMARKS	QUAN
1	032324	MOUNT	FRONT	2
2	012503	STUD	7/16NF X 1-9/16	6
3	031770	LOCKWASHER	7/16	6
4	031772	NUT	7/16NF	6
5	031717	CAPSCREW	1/2NC X 4	2
6	031777	WASHER	1/2 FLAT	4
7	033530	SHIELD	ISOLATOR	2
8	024674	WASHER	ISOLATOR SNUBBING	8
9	015239	ISOLATOR		4
10	033574	SPACER	ISOLATOR TO RAIL FRONT	2
11	031776	LOCKWASHER	1/2	4
12	031774	NUT	1/2NC	4
13	039050	DRIPTRAY		1
14	200127	NUT	5/16NC KEPS	16
15	031555	CAPSCREW	5/16NC X 1	8
16	039073	RAIL		2
17	039075	SPACER	ISOLATOR TO RAIL REAR	2
18	031566	CAPSCREW	5/16NC X 3-3/4	8
19	034713	STRAP	GROUND RAIL TO GENSET	1
20	031718	CAPSCREW	1/2NC X 4-1/4	2

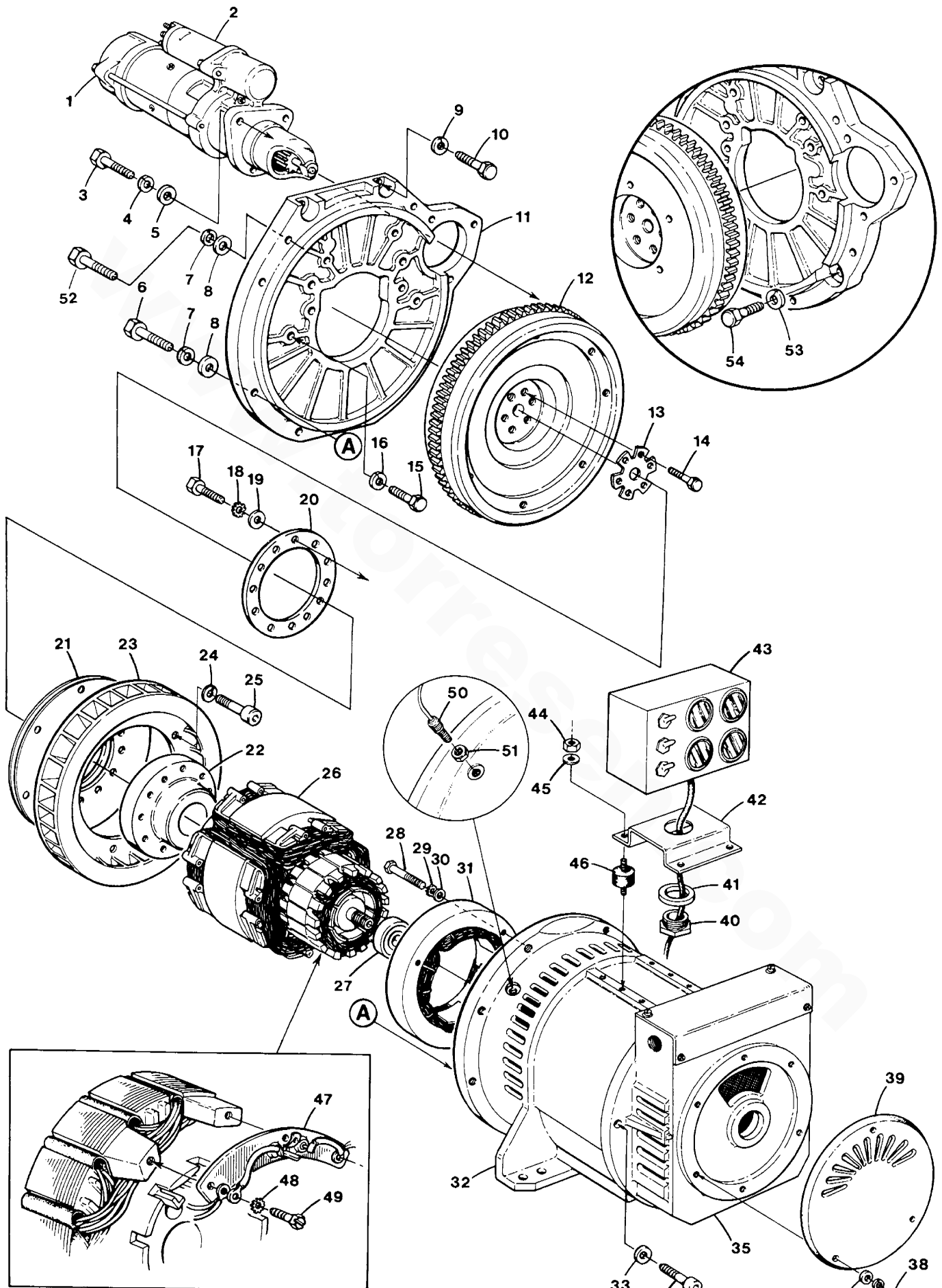
WESTERBEKE 32.0 BED - BACK END - GENERATOR



WESTERBEKE 32.0 BED - BACK END - GENERATOR

REF	PN	NAME	REMARKS	QUAN
1	038384	MOTOR	STARTER 12 VDC	1
2	039523	SOLENOID	STARTER MOTOR 38384 12 VDC	1
3	013631	CAPSCREW	M10 X 55 DIN 933	3
4	019262	LOCKWASHER	M10 DIN 127	3
5	031789	WASHER	M10 DIN 125	3
6	034470	CAPSCREW	M10 X 45 DIN 931	5
7	019262	LOCKWASHER	M10 DIN 127	7
8	031789	WASHER	M10 DIN 125	7
9	031764	LOCKWASHER	3/8	2
10	031630	CAPSCREW	3/8NF X 1	2
11	038403	BACKPLATE		1
12-1	038398	FLYWHEEL	INCLUDING RING GEAR	1
12-2	038392	GEAR	RING	1
13	031166	TABWASHER		1
14	024411	BOLT	FLYWHEEL	6
15	031632	CAPSCREW	3/8NF X 1-1/2	6
16	031764	LOCKWASHER	3/8	6
17	013629	CAPSCREW	M10 X 25 DIN 933	10
18	019262	LOCKWASHER	M10 DIN 127	10
19	031789	WASHER	M10 DIN 125	10
20	039869	PLATE	DRIVE DISC TO HUB	1
21	039785	DISC	DRIVE	4
22	039668	HUB	DRIVE	1
23	039637	FAN		1
24	019262	LOCKWASHER	M10 DIN 127	8
25	039318	CAPSCREW	M10 X 25 DIN 912	8
26	039784	ARMATURE		1
27	039638	BEARING	BALL	1
28	030146	CAPSCREW	M 6 X 55 DIN 931	3
29	031783	LOCKWASHER	M 6 DIN 127	3
30	031784	WASHER	M 6 DIN 125	3
31	039639	STATOR	EXCITER	1
32-1	039782	GENERATOR	1 PHASE	1
32-2	039783	STATOR	1 PHASE	1
32-3	040564	STATOR	INCLUDING HOUSING 1 PHASE	1
32-4	039868	GENERATOR	3 PHASE	1
32-5	039870	STATOR	3 PHASE	1
32-6	039873	STATOR	INCLUDING HOUSING 3 PHASE	1
33	031915	LOCKWASHER	M10 DIN 6797A	3
34	039871	CAPSCREW	M10 X 35 DIN 912	3
35	039669	HOUSING	GENERATOR END	1
37	019262	LOCKWASHER	M10 DIN 127	3

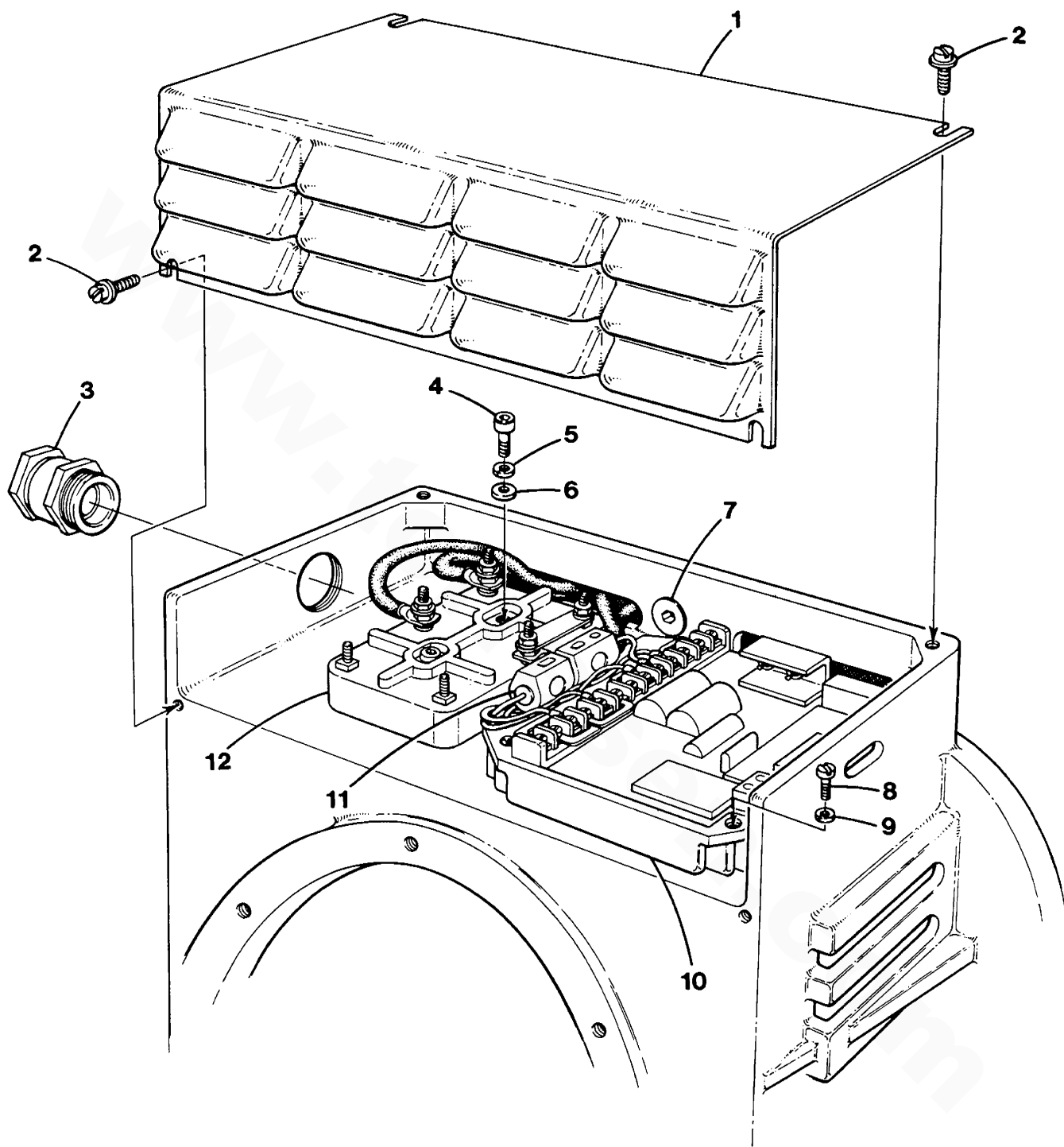
WESTERBKE 32.0 BED - BACK END - GENERATOR



WESTERBEKE 32.0 BED - BACK END - GENERATOR

REF	PN	NAME	REMARKS	QUAN
36	031789	WASHER	M10 DIN 125	3
38	013629	CAPSCREW	M10 X 25 DIN 933	3
39	039074	COVER	PTO	1
40	036464	NIPPLE	CHASE INCLUDED WITH PANEL BOX ASSEMBLY	1
41	036492	RING	SEALING INCLUDED WITH PANEL BOX ASSEMBLY	1
42	036730	BRACKET	PANEL MOUNT INCLUDED WITH PANEL BOX ASSY	1
43		PANEL	REFER TO PANEL PAGE	1
44	015812	NUT	M 6 DIN 934	4
45	031783	LOCKWASHER	M 6 DIN 127	4
46	036652	ISOLATOR	PANEL MOUNT	4
47	039666	DIODE	ASSEMBLY	3
48	031914	LOCKWASHER	M 5 DIN 6797A	9
49	031931	SCREW	M 5 X 16 DIN 84A	9
50	039172	SENDER	MAGNETIC	1
51		NUT		1
52	013631	CAPSCREW	M10 X 55 DIN 933	2
53	031797	LOCKWASHER	M14 DIN 127	2
54	031223	CAPSCREW	M14 X 1.5 X 30 DIN 961	2

WESTERBEKE 32.0 BED - AC OUTPUT AND REGULATOR

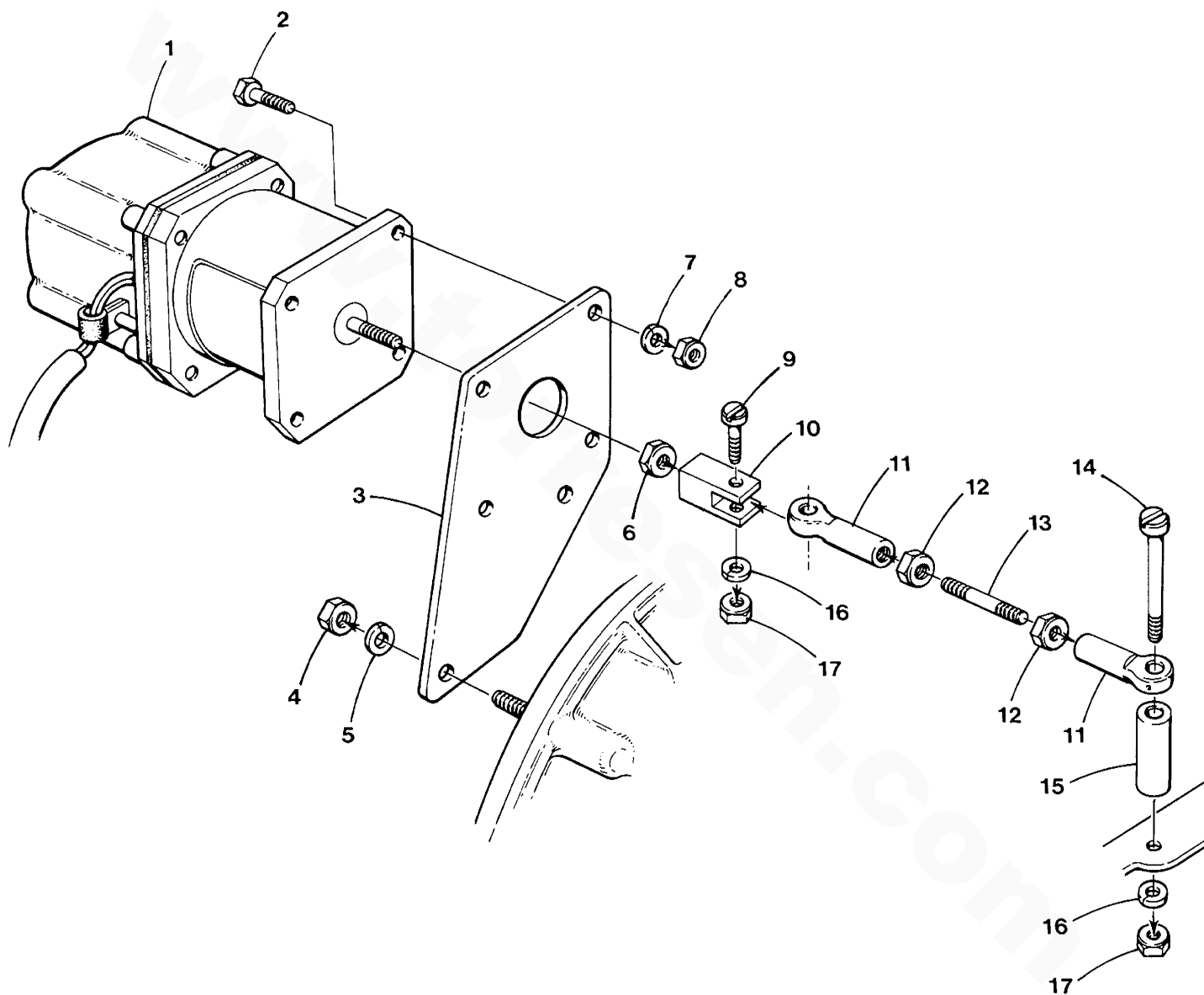


WESTERBEKE 32.0 BED - AC OUTPUT AND REGULATOR

REF	PN	NAME	REMARKS	QUAN
1	038985	COVER	AC OUTPUT	1
2	031918	SCREW	M 5 X 10 DIN 84A	4
3	036737	CONNECTOR	BOX 1-1/2 - AC OUTPUT LEADS	1
4	039874	CAPSCREW	M 6 X 20 DIN 912	2
5	031783	LOCKWASHER	M 6 DIN 127	2
6	031784	WASHER	M 6 DIN 125	2
7	039872	CAPSCREW	M10 X 35 DIN 7991	1
8	039875	SCREW	M 4 X 25 DIN 84A	4
9	031917	LOCKWASHER	M 4 DIN 6797A	4
10	039640	REGULATOR	VOLTAGE	1
11-1	039667	HOLDER	FUSE	1
11-2	038471	FUSE		1
12-1	039632	BLOCK	TERMINAL AC OUTPUT	1
12-2	039633	BAR	BUSS	AR
12-3	039634	NUT	M 8 BRASS	AR
13-1	039306	LABEL	AC OUTPUT 1 PHASE	1
13-2	039686	LABEL	AC OUTPUT 3 PHASE	1



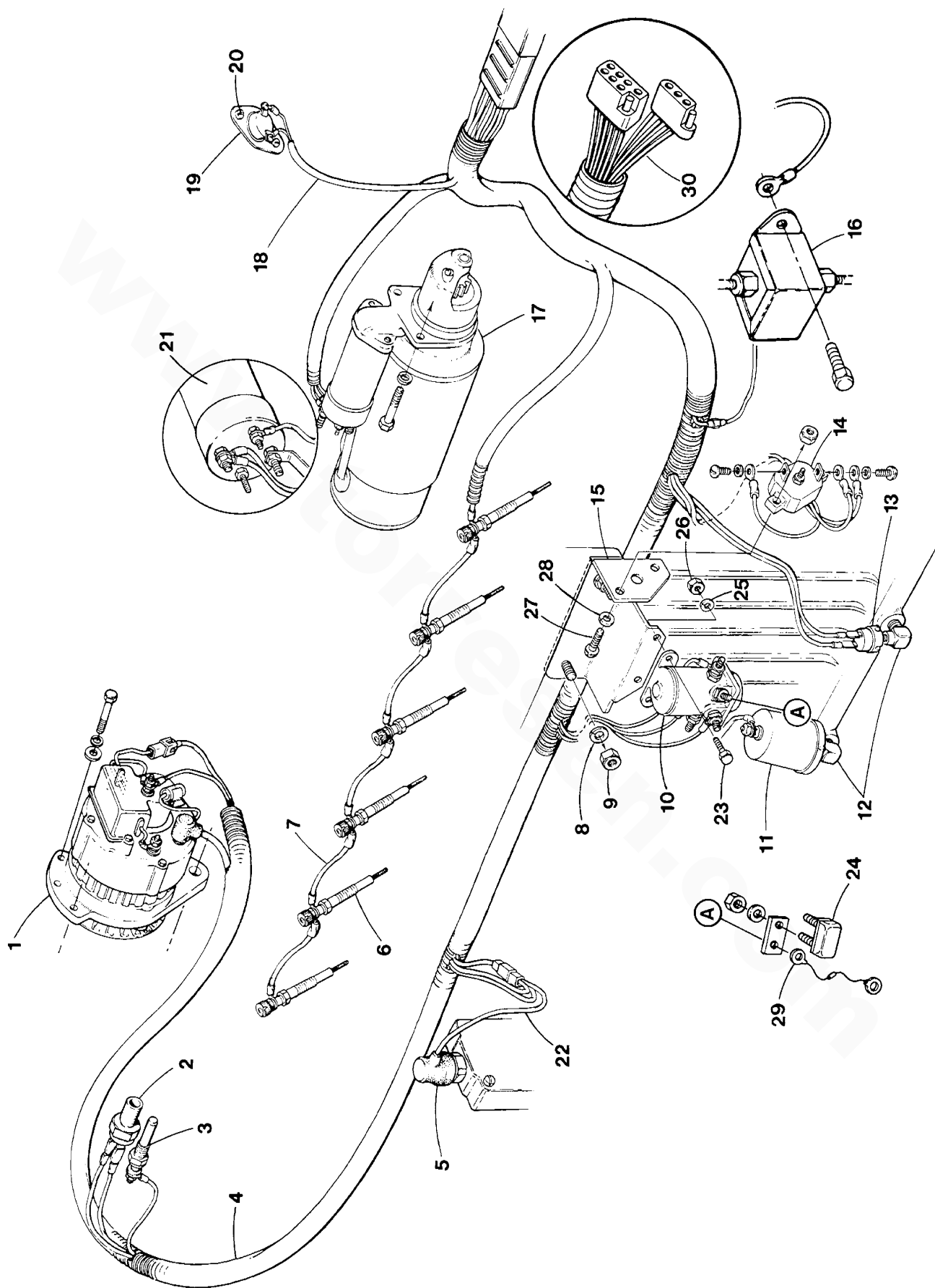
WESTERBEKE 32.0 BED - ELECTRONIC GOVERNOR ACTUATOR



WESTERBEKE 32.0 BED - ELECTRONIC GOVERNOR ACTUATOR

REF	PN	NAME	REMARKS	QUAN
1-1	303007	ACTUATOR	GOVERNOR 12 VDC	1
1-2	039746	ACTUATOR	GOVERNOR 24 VDC	1
2	018804	CAPSCREW	M 6 X 20 DIN 933	4
3	039160	BRACKET	ACTUATOR	1
4	031758	LOCKWASHER	5/16	2
5	031760	NUT	5/16NF	2
6	031801	NUT	M 6 DIN 439 JAM	1
7	031783	LOCKWASHER	M 6 DIN 127	4
8	015812	NUT	M 6 DIN 934	4
9	031875	SCREW	10-32 X 7/8 SS BINDING HEAD	1
10	303009	CLEVIS	ACTUATOR	1
11	303012	BALLJOINT		2
12	031847	NUT	10-32 SS HEX	2
13	039295	ROD	THREADED 10-32 X 1-1/2	1
14	039470	SCREW	10-32 X 1-3/4 SS BH	1
15	039164	SPACER		1
16	031849	LOCKWASHER	10 SS	2
17	031847	NUT	10-32 SS HEX	2

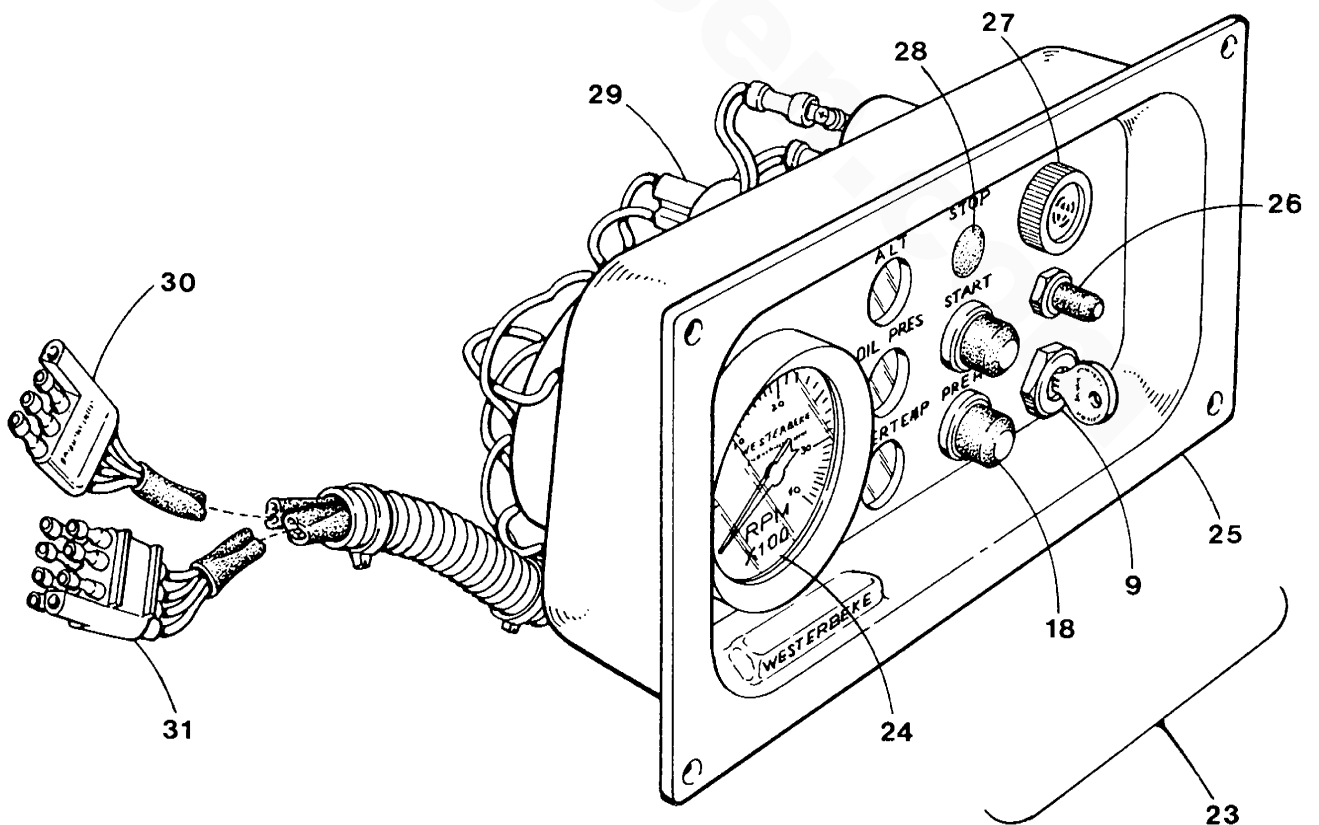
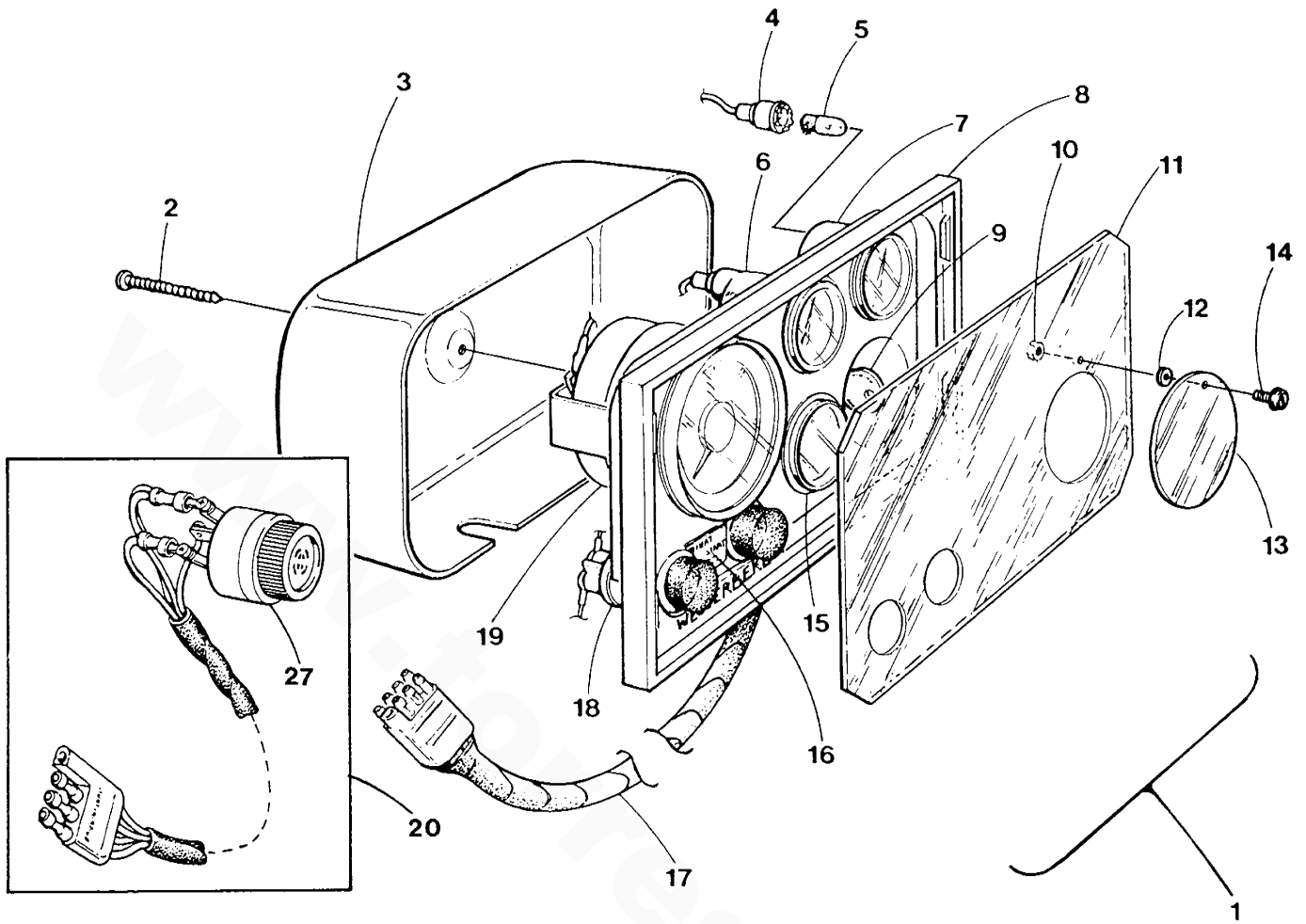
WESTERBEKE 108B SIX - 108C SIX - ELECTRICAL SYSTEM



WESTERBEKE 108B SIX - 108C SIX - ELECTRICAL SYSTEM

REF	PN	NAME	REMARKS	QUAN
1	024684	ALTERNATOR	51 AMP 12VDC WITH REGULATOR	1
2-1	030125	SWITCH	WATER TEMPERATURE PROPULSION ALARM	1
2-2	037453	BUSHING	SWITCH 1/4NPT TO 1/8NPT PROPULSION	1
2-3	039550	SWITCH	WATER TEMPERATURE GENSET SAFETY	1
3	035109	SENDER	WATER TEMPERATURE	1
4-1	036604	HARNESS	ENGINE-PROPULSION	1
4-2	039925	HARNESS	GENSET INCLUDED IN PANEL HARNESS ASSY	1
5		SOLENOID	FUEL SHUT-OFF REFER TO FUEL PAGE	1
6-1	024353	GLOWPLUG	12VDC	6
6-2	034467	GLOWPLUG	24VDC	6
7-1	032900	WIRE	GLOWPLUG CONNECTING 108B	1
7-2	024354	STRAP	GLOWPLUG CONNECTING 108C	5
8	031758	LOCKWASHER	5/16	2
9	031760	NUT	5/16NF	2
10-1	024639	SOLENOID	PREHEAT 12VDC	1
10-2	022249	SOLENOID	PREHEAT 24VDC	1
11	024132	SENDER	OIL PRESSURE	1
12	011984	ELBOW	1/8NPT STREET 90	2
13	037323	SWITCH	OIL PRESSURE	1
14-1	024683	BREAKER	CIRCUIT 20 AMP 12 VDC	1
14-2	020946	BREAKER	CIRCUIT 10 AMP 24 VDC	1
15-1	039078	BRACKET	CIRCUIT BREAKER AND SOLENOID-PROPULSION	1
15-2	039936	BRACKET	CIRCUIT BREAKER AND SOLENOID-GENSET	1
16	039275	PUMP	ELECTRIC FUEL LIFT 12 VDC	1
17	038384	MOTOR	STARTER 12 VDC	1
18	033213	TUBING	TEFLON-PROTECT WIRE-INCHES REQD-GENSET	18
19	032923	SWITCH	EXHAUST TEMPERATURE-GENSET	1
20	035711	SCREW	6-32 X 1/4 TAPPING	2
21	039523	SOLENOID	STARTER MOTOR 38384 12 VDC	1
22	039672	WIRE	SOLENOID INCLUDING BOOT	1
23	018804	CAPSCREW	M 6 X 20 DIN 933	2
24	036563	BREAKER	CIRCUIT 10 AMP	1
25	031783	LOCKWASHER	M 6 DIN 127	2
26	015812	NUT	M 6 DIN 934	2
27	031866	SCREW	8-32 X 7/8 SS BINDING HEAD	2
28	031844	LOCKWASHER	8 SS	2
29	039806	RESISTOR	ASSEMBLY-PROPULSION	1

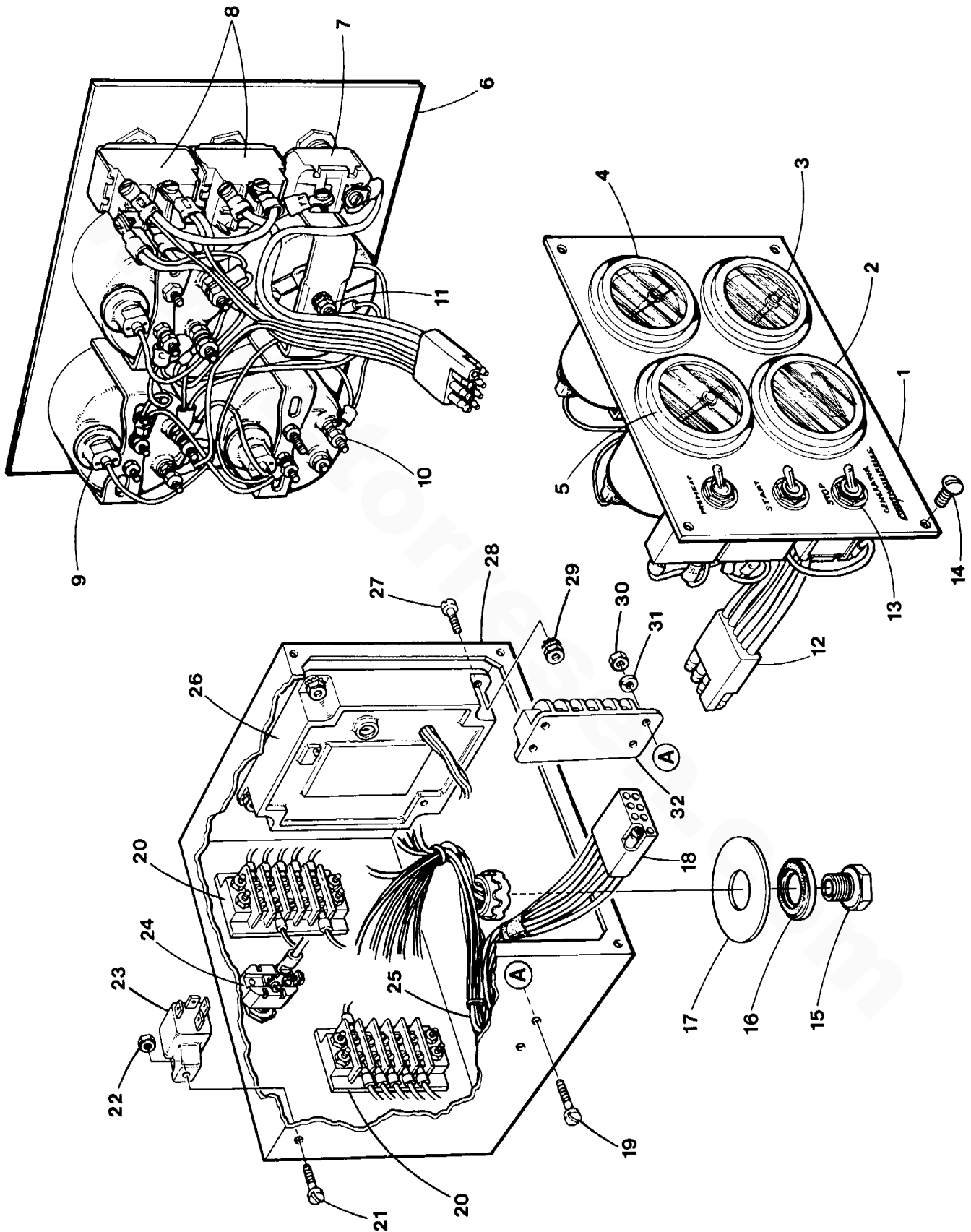
WESTERBEKE 108B SIX - 108C SIX - PROPULSION INSTRUMENT PANELS



WESTERBEKE 108B SIX - 108C SIX - PROPULSION INSTRUMENT PANELS

REF	PN	NAME	REMARKS	QUAN
1	036842	PANEL	ADMIRAL INCLUDING ALARM	1
2	030913	SCREW		1
3	030119	COVER	PANEL REAR	1
4	035118	HOLDER	LAMP WEDGE BASE	3
5	035114	LAMP	INSTRUMENT 12 VDC WEDGE BASE	3
6	037601	METER	WATER TEMPERATURE	1
7	037603	METER	OIL PRESSURE 100 PSI	1
8	033865	PANEL	PLATE	1
9	033693	KEYSWITCH	OFF-ON	1
10	030003	NUT	NYLON LOCKING 6-32	1
11	033684	COVER	FACEPLATE	1
12	030002	SPACER	NYLON	1
13	024996	WINDOW	KEYSWITCH COVER	1
14	030001	SCREW	NYLON 6-32 X 1/2 WASHER HEAD	1
15	037605	VOLTMETER	12 VDC	1
16	033682	DECAL	SWITCH IDENTIFICATION	1
17	030148	CABLE	PANEL TO ENGINE 8 PIN	1
18-1	033764	SWITCH	PUSHBUTTON START/PREHEAT	2
18-2	019031	CAP	SWITCH COVER REPLACEMENT	2
19	011917	METER	TACHOMETER-HOUR	1
20	036829	ALARM	ASSEMBLY	1
21	035825	WIRE	LAMP POWER CONNECTION	3
22	039144	DIAGRAM	WIRING ENGINE 12 VDC	1
23	036473	PANEL	CAPTAIN	1
24	036590	METER	TACHOMETER	1
25	036043	PANEL	PLATE	1
26-1	036479	SWITCH	TEST	1
26-2	036490	CAP	SWITCH	1
27	013355	BUZZER	ALARM	1
28	030946	PLUG	NYLON	1
29-1	024947	LAMP	12 VDC	3
29-2	036483	HOLDER	LAMP	3
30	036626	HARNESS	PANEL TO ENGINE 4 PIN	1
31	036627	HARNESS	PANEL TO ENGINE 8 PIN	1
32	036477	ASSEMBLY	TERMINAL-DIODE	1
33	036544	SPACER	TERMINAL-DIODE ASSEMBLY	2
34	036545	SCREW	6-32 X 3/4 TAPPING SS	2
35	036630	DRAWING	TEMPLATE TO INSTALL EITHER PANEL	1

WESTERBEKE 32.0 BED - GENERATOR CONTROL PANEL



WESTERBEKE 32.0 BED - GENERATOR CONTROL PANEL

REF	PN	NAME	REMARKS	QUAN
1	036539	PANEL	GENERATOR CONTROL REF 2 THRU 13	1
2	036192	HOURLMETER		1
3	037605	VOLTMETER	12 VDC	1
4	037603	METER	OIL PRESSURE 100 PSI	1
5	037601	METER	WATER TEMPERATURE	1
6-1	034485	PLATE	PANEL	1
6-2	035303	COVER	BOX WHEN PANEL IS REMOTE MOUNTED	1
7	024731	SWITCH	STOP	1
8	024732	SWITCH	PREHEAT/START	2
9-1	035114	LAMP	INSTRUMENT WEDGE BASE 12 VDC	3
9-2	035118	HOLDER	LAMP WEDGE BASE	3
9-3	035825	WIRE	LAMP POWER CONNECTION	3
10-1	031900	NUT	10-32 BRASS	AR
10-2	031902	LOCKWASHER	10 BRONZE	AR
11-1	031842	NUT	8-32 SS HEX	2
11-2	031844	LOCKWASHER	8 SS	2
12	036538	HARNESS	PANEL	1
13	031999	LOCKRING	TOGGLE SWITCH MOUNT	3
14	034421	SCREW	8-32 X 3/8 TRUSS HEAD BLACK SS	4
15	036464	NIPPLE	CHASE WITH BUSHING	1
16	036492	RING	SEALING	1
17	036837	WASHER	REDUCER	1
18	039925	HARNESS	ENGINE	1
19	031855	SCREW	6-32 X 5/8 SS BINDING HEAD	12
20-1	039928	BLOCK	TERMINAL 10 POSITION	2
20-2	039929	MARKER	TERMINAL BLOCK	2
20-3	015222	PLATE	SCREW-TERMINAL BLOCK	6
21	031872	SCREW	10-32 X 1/2 SS BINDING HEAD	1
22	200125	NUT	10-32 KEPS	1
23-1	037833	RELAY	12 VDC	1
23-2	039858	RELAY	24 VDC	1
24-1	033259	SWITCH	EMERGENCY STOP	1
24-2	033258	BOOT	EMERGENCY STOP SWITCH	1
24-3	033251	LABEL	EMERGENCY STOP SWITCH	1
25	036232	HARNESS	PANEL BOX	1
26-1	303008	CONTROLLER	GOVERNOR 12 VDC	1
26-2	039747	CONTROLLER	GOVERNOR 24 VDC	1
27	031872	SCREW	10-32 X 1/2 SS BINDING HEAD	4
28-1	039836	ASSEMBLY	BOX AND HARNESS	1
28-2	039368	BOX	GENERATOR CONTROL PANEL	1
28-3	040185	COVER	CONTROL BOX	1
29	200125	NUT	10-32 KEPS	4
30	031837	NUT	6-32 SS HEX	12
31	031839	LOCKWASHER	6 SS	12
32-1	050201	BLOCK	TERMINAL	1
32-2	050374	MARKER	TERMINAL BLOCK	1
33	024968	DECAL	GENSET OPERATING INSTRUCTIONS	1
34	039422	DIAGRAM	WIRING GENSET 12 VDC	1



WESTERBEKE 108B SIX - 32.0 BED - 108C SIX - 32.0 BEDB - MISCELLANEOUS

REF	PN	NAME	REMARKS	QUAN
1-1	039429	KIT A	SPARE PARTS 108B	1
1-2	040735	KIT A	SPARE PARTS 108C	1
1-3	039945	KIT A	SPARE PARTS 32.0 BED	1
1-4	040740	KIT A	SPARE PARTS 32.0 BEDB	1
2-1	040402	KIT B	SPARE PARTS EXTENDED CRUISING 108B	1
2-2	040736	KIT B	SPARE PARTS EXTENDED CRUISING 108C	1
2-3	040405	KIT B	SPARE PARTS EXTENDED CRUISING 32.0 BED	1
2-4	040741	KIT B	SPARE PARTS EXTENDED CRUISING 32.0 BEDB	1
3-1	040403	GASKET SET	UPPER 108B,32.0 BED	1
3-2	040737	GASKET SET	UPPER 108C,32.0 BEDB	1
4-1	040404	GASKET SET	COMPLETE 108B,32.0 BED	1
4-2	040738	GASKET SET	COMPLETE 108C,32.0 BEDB	1
5	032974	FILTER	PRIMARY FUEL SEPARTOR	1
6	033327	VALVE	ANTI-SIPHON	1
7	013758	PAINT	RED AEROSOL SPRAY CAN	1
8	020654	SPLITTER	ALTERNATOR OUTPUT	1
9-1	030760	HARNESS	15 FOOT PANEL EXTENSION 8 PIN	1
9-2	036557	HARNESS	15 FOOT PANEL EXTENSION 4 PIN	1
10	032973	FILTER KIT	REMOTE LUBE OIL	1
11-1	033095	KIT	FUEL HARDWARE 108B,32.0 BED	1
11-2	040742	KIT	FUEL HARDWARE 108C,32.0 BEDB	1
12	024177	KIT	REMOTE FRESH WATER SURGE TANK	1
13-1	038922	MANUAL	OPERATOR 63B,63C,71B,82B,108B,108C	1
13-2	039685	MANUAL	OPERATOR 20.0-32.0 BED	1
14	041407	MANUAL	TECHNICAL 108B,32.0 BED,108C,32.0 BEDB	1

PART NO	PAGE	REF	PART NO	PAGE	REF	PART NO	PAGE	REF
011357	131	21	013330	151	3	018242	127	22
011371	131	19-1	013330	151	10	018804	161	2
011405	131	3	013331	149	5	018804	163	23
011405	149	7	013338	151	4	018813	133	46-2
011405	151	6	013340	139	5	019031	165	18-2
011411	149	10	013343	143	32-3	019262	129	5
011411	151	2	013344	143	32-2	019262	131	24
011419	135	12	013346	139	37	019262	133	45-2
011471	127	9	013348	151	13-1	019262	139	13
011471	127	16	013348	151	13-2	019262	147	9
011471	151	9	013355	165	27	019262	147	21
011498	101	22	013619	127	19	019262	147	25
011505	119	9	013629	155	17	019262	149	11
011618	147	27-1	013629	157	38	019262	155	4
011630	151	14-1	013630	119	8	019262	155	7
011631	151	14-2	013630	125	18	019262	155	18
011632	151	14-4	013630	125	36	019262	155	24
011633	151	14-5	013631	139	12-2	019262	155	37
011634	151	14-6	013631	155	3	019321	127	26
011752	125	39	013631	157	52	019364	145	64
011752	137	6	013741	131	9	019369	135	23
011779	131	8	013758	168	7	019369	141	46-1
011779	149	6	013810	131	20-2	020654	168	8
011779	151	7	013870	145	68	020946	163	14-2
011885	127	13	013870	149	32	021722	139	14
011907	135	11	013870	151	25	021878	125	27
011917	165	19	013970	125	17	022114	151	12-1
011921	151	11	014774	135	5	022249	163	10-2
011943	143	29	015222	167	20-3	022392	131	22
011961	149	21-1	015239	153	9	022392	135	20
011961	151	32- 8	015289	141	43	022513	139	4
011962	149	21-2	015768	131	20-1	022559	125	38
011962	151	32- 9	015812	115	35	022852	127	28
011963	149	21-3	015812	157	44	022927	141	41
011963	151	32-10	015812	161	8	023143	101	23
011964	149	21-4	015812	163	26	023467	151	17
011964	151	32-11	015830	127	21	023567	149	4
011984	163	12	015887	129	6	023567	151	12-2
012495	103	14	016789	145	97	023609	149	21-5
012495	115	6	017298	117	32	023609	151	32-12
012495	117	6	017298	123	53	023652	151	33-1
012497	103	15	017498	147	28-2	023653	149	22
012497	115	15	017849	101	15	023653	151	33-2
012497	117	15	017849	103	13	023706	151	32- 1
012498	101	13	018142	135	19	023707	151	32- 2
012498	117	10	018143	135	14	023708	151	32- 3
012498	145	84-2	018144	135	21	023709	151	32- 4
012502	101	8	018145	135	6	023710	151	32- 5
012502	131	35	018146	135	22	023711	151	32- 6
012503	101	9	018147	135	2	023712	151	32- 7
012503	101	28	018148	135	17	023954	147	2
012503	147	6	018149	135	16	024132	163	11
012503	153	2	018151	135	9	024177	168	12
013057	151	5	018152	135	10	024306	125	8
013325	145	69	018153	135	13	024335	115	31
013325	149	31	018154	135	7	024336	103	18-2
013325	151	24	018164	135	18	024337	115	30
013330	149	3	018180	135	4	024338	145	76-1

PART NO	PAGE	REF	PART NO	PAGE	REF	PART NO	PAGE	REF
024339	145	77	024446	113	36-1	030001	165	14
024345	105	41-1	024453	119	12	030002	165	12
024346	111	21-1	024454	143	19	030003	165	10
024349	103	16	024455	143	41-1	030025	139	6
024351	111	13	024456	143	41-2	030119	165	3
024353	163	6-1	024477	137	18	030125	125	20-1
024354	163	7-2	024479	137	15	030125	163	2-1
024363	139	28	024480	137	9	030139	139	15
024364	101	4	024481	137	14	030146	155	28
024366	103	19-1	024492	109	24-1	030148	165	17
024370	103	17	024493	109	24-2	030168	133	48
024371	101	18-1	024498	139	27	030182	133	38-1
024371	103	12	024498	145	74-2	030290	139	18
024372	103	11	024498	145	79-2	030290	141	48
024373	101	26	024499	143	22	030291	123	63-1
024373	103	18-1	024500	143	30	030291	139	17
024373	103	36	024501	145	74-1	030548	139	8
024374	101	2	024502	145	75	030711	121	5
024374	101	6	024505	143	23	030735	133	39-4
024374	101	25	024506	139	25	030760	168	9-1
024374	101	27	024523	101	24	030845	123	60-1
024375	105	38-1	024526	103	2-2	030848	123	60-2
024376	103	27	024527	143	18	030913	165	2
024377	103	28	024542	145	82	030946	165	28
024379	101	21	024563	143	21	030966	111	22
024382	101	12	024565	143	20	030967	101	3
024383	101	19	024568	137	17	030969	123	40
024386	101	17	024579	133	39-2	030972	117	25
024387	101	16-2	024580	133	39-3	030974	107	20-1
024388	117	29	024600	143	32-1	030975	107	19
024393	101	39	024601	101	20	030976	107	18-1
024398	115	12	024601	125	16	030985	103	1-1
024398	117	12	024637	125	5	030986	103	5-1
024398	145	86	024639	163	10-1	031014	113	32
024399	115	11	024674	153	8	031166	147	14
024399	117	11	024683	163	14-1	031166	155	13
024399	145	85	024684	133	39-1	031169	133	38-2
024401	107	5	024684	163	1	031201	133	39
024402	107	4	024704	125	4	031223	147	18
024411	147	15	024731	167	7	031223	157	54
024411	155	14	024732	167	8	031285	145	76-2
024413	137	19	024778	147	28-1	031455	107	8
024414	137	16	024786	125	3	031505	127	12
024423	111	20-1	024831	139	2-1	031526	123	49
024424	111	15-1	024858	125	2	031526	137	13
024425	111	17	024903	121	33	031526	141	44-1
024426	111	18	024905	123	55	031527	123	39
024427	111	19-1	024906	125	6	031528	123	42
024429	111	14-1	024906	141	40	031530	123	44
024431	111	3	024907	125	7	031530	139	9
024432	111	2	024922	123	59	031553	131	12
024434	111	11	024926	119	13	031555	133	40
024435	111	10	024947	165	29-1	031555	153	15
024436	111	8	024953	131	23	031566	153	18
024437	111	5	024968	167	33	031576	137	23-2
024440	111	23-2	024972	139	16	031577	103	2-1
024443	111	27	024977	125	1	031577	103	25
024445	113	37	024996	165	13	031577	105	44

PART NO	PAGE	REF	PART NO	PAGE	REF	PART NO	PAGE	REF
031577	113	34	031758	103	26	031764	139	32
031577	115	28	031758	105	42	031764	147	11
031577	121	16	031758	107	21	031764	147	17
031577	143	47	031758	111	28	031764	149	24
031578	133	46-1	031758	113	35	031764	155	9
031579	101	36	031758	115	8	031764	155	16
031579	105	43	031758	115	13	031765	123	56
031579	115	19	031758	115	17	031765	131	13
031579	117	19	031758	115	20	031766	131	33
031580	115	26	031758	115	25	031767	101	38
031580	125	33	031758	115	27	031768	149	16
031580	137	2-1	031758	117	8	031768	151	19
031581	125	32	031758	117	13	031768	151	29
031581	137	2-2	031758	117	17	031770	121	4
031582	103	4	031758	117	20	031770	143	60
031585	115	16	031758	117	37	031770	147	5
031585	117	16	031758	119	3	031770	149	13
031588	133	49	031758	121	15	031770	149	19
031592	131	30	031758	123	51	031770	151	15
031596	115	29	031758	125	31	031770	151	18
031596	137	7	031758	127	2	031770	151	30
031603	149	23	031758	131	11	031770	153	3
031606	123	58	031758	131	28	031772	147	4
031622	133	37-2	031758	133	41	031772	149	18
031629	139	23	031758	133	45-1	031772	153	4
031630	103	24	031758	137	3	031774	153	12
031630	139	33	031758	143	48	031776	131	5
031630	147	12	031758	145	72	031776	133	36-1
031630	155	10	031758	145	87	031776	153	11
031631	131	15	031758	161	4	031777	121	12
031632	147	16	031758	163	8	031777	131	6
031632	155	15	031759	121	14	031777	153	6
031655	151	31	031759	127	3	031779	121	13
031656	149	14	031759	131	10	031783	115	34
031665	151	16	031759	131	29	031783	155	29
031682	149	20	031759	133	44	031783	157	45
031717	153	5	031760	101	10	031783	159	5
031718	153	20	031760	111	29	031783	161	7
031722	133	37-1	031760	115	9	031783	163	25
031730	131	4	031760	115	14	031784	155	30
031731	113	31-1	031760	117	9	031784	159	6
031752	123	38	031760	117	14	031786	107	9-1
031752	123	45	031760	119	4	031786	119	7-1
031752	127	11	031760	123	50	031786	125	19
031752	137	12	031760	131	27	031786	125	35
031752	139	10	031760	143	16	031786	127	23
031752	141	44-2	031760	145	73	031787	107	9-2
031752	149	27	031760	145	88	031787	119	7-2
031752	151	21	031760	161	5	031787	125	34
031753	123	46	031760	163	9	031789	147	20
031753	127	10	031761	111	1	031789	155	5
031753	139	11	031764	101	37	031789	155	8
031754	149	28	031764	103	23	031789	155	19
031754	151	20	031764	123	57	031789	157	36
031756	117	36	031764	131	14	031797	147	19
031756	127	1	031764	131	34	031797	157	53
031758	101	11	031764	133	36-2	031801	161	6
031758	101	35	031764	139	22	031837	167	30

PART NO	PAGE	REF	PART NO	PAGE	REF	PART NO	PAGE	REF
031839	167	31	032752	103	9-1	032815	105	40
031842	167	11-1	032753	103	6	032816	103	22
031844	163	28	032754	103	7	032818	103	29
031844	167	11-2	032755	103	10-1	032820	101	14
031847	125	23	032756	103	3-1	032821	101	16-1
031847	143	41-5	032757	115	24	032821	101	18-2
031847	145	65	032758	121	18-1	032822	115	1
031847	151	27	032759	121	17-1	032822	117	1
031847	161	12	032760	115	3	032823	115	5
031847	161	17	032761	115	7	032823	117	5
031849	125	24	032762	115	18	032824	107	22
031849	143	41-4	032762	117	18	032825	109	26
031849	143	44	032763	107	3-1	032826	111	26
031849	145	66	032764	107	17-1	032827	143	42
031849	149	30	032765	107	15-1	032828	143	43
031849	151	26	032766	107	13	032829	143	46
031849	161	16	032767	107	14	032830	121	24-1
031855	167	19	032768	107	12-1	032831	121	23
031866	163	27	032770	109	25	032832	121	29
031872	167	21	032771	109	27	032833	121	32-1
031872	167	27	032772	111	7-1	032834	121	30
031873	145	70	032773	111	25	032835	121	27-1
031873	149	29	032774	113	33	032836	121	22-1
031873	151	23	032775	111	30	032837	121	25
031875	161	9	032775	145	91	032838	121	26
031900	167	10-1	032776	143	31	032839	121	28
031902	167	10-2	032777	143	35-1	032840	121	34
031914	157	48	032778	143	36-1	032841	121	35
031915	155	33	032779	143	37-1	032842	121	37
031917	159	9	032780	143	38-1	032843	121	21
031918	159	2	032781	143	39-1	032844	121	20
031931	157	49	032782	143	40-1	032845	123	52
031935	125	12	032783	145	94	032845	123	65-2
031999	167	13	032784	145	92	032846	123	48
032183	135	3	032785	139	21	032847	123	47
032183	135	15	032786	139	26	032849	123	41-1
032222	131	32-1	032786	145	62	032851	121	11
032268	145	67-1	032788	123	43-1	032852	137	5
032315	151	28	032789	101	29-1	032853	137	4
032324	153	1	032790	115	23	032855	137	10
032368	101	5	032791	107	7-1	032857	101	33-1
032379	103	21	032792	107	7-2	032858	101	34
032379	115	2	032793	107	7-3	032859	101	32
032379	117	2	032794	107	7-4	032860	121	10
032379	143	17	032795	109	23-1	032861	121	9
032379	145	93	032796	109	23-2	032862	121	8
032381	115	10	032797	109	23-3	032864	145	71
032381	145	84-1	032798	109	23-4	032866	113	38-1
032543	133	47	032799	107	2-1	032867	121	6
032544	131	31	032800	107	1-1	032868	139	19-1
032547	145	83-2	032801	145	83-1	032869	139	19-2
032584	131	32-2	032801	145	83-3	032872	125	21
032683	111	23-1	032803	115	21	032873	121	2
032692	145	89	032805	111	16-1	032875	117	33
032695	145	90	032806	145	79-1	032875	123	54
032696	139	20	032808	145	80-2	032876	115	4
032713	137	21	032809	107	6-1	032876	117	4
032750	105	37-1	032814	105	39-1	032883	113	39-1

PART NO	PAGE	REF	PART NO	PAGE	REF	PART NO	PAGE	REF
032885	137	22-1	033792	139	7	036614	131	2
032886	121	3	033865	165	8	036614	131	16-2
032886	143	61	034421	167	14	036614	131	17
032887	121	7	034467	163	6-2	036614	151	8
032888	107	16-1	034470	155	6	036622	131	16-1
032889	137	1-1	034485	167	6-1	036622	149	1.
032890	119	1	034589	147	26	036626	165	30
032893	115	22	034590	139	12-1	036627	165	31
032894	145	80-1	034590	147	22	036630	165	35
032894	145	80-3	034590	149	12	036650	149	2
032895	137	11-1	034713	153	19	036650	151	1
032898	145	81	034833	147	8	036652	157	46
032900	163	7-1	034913	145	76-3	036730	157	42
032901	115	37	034927	101	1-1	036737	159	3
032902	111	12	034992	145	76-4	036821	123	61-1
032905	115	38	035109	125	25	036829	165	20
032906	101	31	035109	163	3	036837	167	17
032908	101	30	035114	165	5	036842	165	1
032923	163	19	035114	167	9-1	036849	127	32
032973	168	10	035118	165	4	036869	139	35
032974	168	5	035118	167	9-2	036869	143	34
033058	143	49	035303	167	6-2	037208	111	24-1
033064	133	43-1	035411	125	11	037297	151	14-3
033095	168	11-1	035711	163	20	037302	125	9
033213	163	18	035747	125	10	037302	127	6
033251	167	24-3	035747	127	24	037323	163	13
033258	167	24-2	035825	165	21	037393	123	64
033259	167	24-1	035825	167	9-3	037453	163	2-2
033299	127	27	035827	141	46-2	037505	131	7
033300	127	25	035949	141	49	037601	165	6
033327	168	6	035950	141	47	037601	167	5
033329	135	24	036043	165	25	037603	165	7
033381	133	42	036121	149	8	037603	167	4
033482	149	26	036192	167	2	037605	165	15
033482	151	22	036215	139	24	037605	167	3
033530	153	7	036232	167	25	037636	119	6
033574	153	10	036334	147	3	037641	119	11
033638	101	7	036338	147	1	037643	119	5
033651	139	30	036464	157	40	037782	119	10-2
033652	103	8	036464	167	15	037784	119	10-1
033655	121	19	036473	165	23	037821	129	2
033658	111	4	036477	165	32	037833	167	23-1
033659	111	6	036479	165	26-1	038111	133	38-3
033664	111	9	036483	165	29-2	038132	149	17-6
033665	121	31	036490	165	26-2	038153	127	30
033666	121	36	036492	157	41	038153	129	8
033667	103	20-1	036492	167	16	038193	125	14
033674	115	33	036493	123	62-1	038193	127	7
033675	115	36	036538	167	12	038193	127	14
033679	115	32	036539	167	1	038207	127	5-1
033682	165	16	036544	165	33	038221	127	31
033684	165	11	036545	165	34	038221	129	7
033693	165	9	036557	168	9-2	038222	129	4
033708	137	23-1	036563	163	24	038224	129	3
033710	145	96	036590	165	24	038225	125	22
033711	145	95	036604	163	4-1	038226	125	15
033721	139	2-2	036614	127	18	038228	125	26
033764	165	18-1	036614	127	29	038232	125	29

PART NO	PAGE	REF	PART NO	PAGE	REF	PART NO	PAGE	REF
038232	127	8	039295	161	13	040199	123	61-2
038233	125	13	039306	159	13-1	040201	123	62-2
038234	125	28	039318	155	25	040201	123	63-2
038235	125	30	039323	149	21-6	040210	123	60-3
038325	103	20-2	039323	151	32-13	040384	139	34
038376	147	23	039334	127	33-1	040384	143	33
038384	147	7	039334	129	9	040402	168	2-1
038384	155	1	039368	167	28-2	040403	168	3-1
038384	163	17	039422	167	34	040404	168	4-1
038392	147	13-3	039429	168	1-1	040405	168	2-3
038392	155	12-2	039470	161	14	040410	117	34
038398	155	12-1	039523	155	2	040410	121	18-2
038403	147	10-1	039523	163	21	040512	147	30
038403	155	11	039550	125	20-2	040534	139	31
038426	127	5-2	039550	163	2-3	040536	131	25-2
038427	147	10-2	039632	159	12-1	040538	141	42
038435	131	26	039633	159	12-2	040564	155	32-3
038445	131	18	039634	159	12-3	040650	117	35
038445	135	1	039637	155	23	040650	121	17-2
038471	159	11-2	039638	155	27	040652	105	37-2
038510	103	30	039639	155	31	040653	103	19-2
038510	127	4	039640	159	10	040654	105	41-2
038513	131	25-1	039666	157	47	040655	111	16-2
038578	147	24	039667	159	11-1	040656	105	38-2
038608	149	17-1	039668	155	22	040657	105	39-2
038609	149	17-3	039669	155	35	040658	103	9-2
038610	149	17-4	039672	163	22	040659	103	1-2
038611	149	17-5	039685	168	13-2	040660	103	10-2
038760	127	33-2	039686	159	13-2	040661	103	5-3
038865	131	19-2	039746	161	1-2	040662	103	3-2
038866	125	37	039747	167	26-2	040663	101	29-2
038866	127	15	039782	155	32-1	040664	101	40-2
038900	107	11	039783	155	32-2	040665	117	30
038906	107	10	039784	155	26	040666	117	24
038922	168	13-1	039785	155	21	040667	117	22
038941	129	1	039789	149	17-2	040668	117	31
038985	159	1	039806	163	29	040669	117	23
039050	153	13	039836	167	28-1	040670	117	28-1
039073	153	16	039858	167	23-2	040671	117	27-1
039074	157	39	039867	135	8	040672	117	28-2
039075	153	17	039868	155	32-4	040673	117	27-2
039076	127	17	039869	155	20	040674	117	3
039077	139	1	039870	155	32-5	040675	117	7
039078	163	15-1	039871	155	34	040676	107	3-2
039090	147	13-1	039872	159	7	040677	107	17-2
039094	139	3	039873	155	32-6	040678	107	20-2
039144	165	22	039874	159	4	040679	107	15-2
039154	149	25	039875	159	8	040680	107	12-2
039155	149	9	039925	163	4-2	040681	107	16-2
039158	139	36	039925	167	18	040683	107	18-2
039160	161	3	039928	167	20-1	040684	107	2-2
039164	161	15	039929	167	20-2	040685	107	2-3
039172	157	50	039936	163	15-2	040686	107	2-4
039230	127	20	039945	168	1-3	040687	107	1-2
039230	131	1	039978	133	43-2	040688	107	1-3
039275	141	45	040151	103	5-2	040689	107	1-4
039275	163	16	040154	121	1	040690	107	7-5
039276	149	15	040185	167	28-3	040691	107	7-6

PART NO	PAGE	REF	PART NO	PAGE	REF
040692	107	7-7	041044	101	1-6
040693	107	7-8	041398	123	65-1
040694	109	23-5	041399	117	26
040695	109	23-6	041407	168	14
040696	109	23-7	050201	167	32-1
040697	109	23-8	050374	167	32-2
040698	109	23-9	200125	167	22
040699	109	24-3	200125	167	29
040700	109	24-4	200127	153	14
040701	109	24-5	303007	161	1-1
040702	109	24-6	303008	167	26-1
040703	109	24-7	303009	161	10
040704	111	20-2	303012	161	11
040705	111	15-2			
040706	111	19-2			
040707	111	21-2			
040708	111	14-2			
040709	111	7-2			
040710	113	40			
040711	111	24-2			
040712	113	38-2			
040713	113	36-2			
040714	113	31-2			
040715	143	35-2			
040716	143	36-2			
040717	143	37-2			
040718	143	38-2			
040719	143	39-2			
040720	143	40-2			
040721	145	80-4			
040722	139	29			
040723	121	24-2			
040724	121	32-2			
040725	121	27-2			
040726	121	22-2			
040727	123	43-2			
040728	123	41-2			
040729	137	1-2			
040730	137	11-2			
040731	137	22-2			
040732	101	33-2			
040733	141	39			
040734	141	38			
040735	168	1-2			
040736	168	2-2			
040737	168	3-2			
040738	168	4-2			
040739	101	1-2			
040739	101	1-3			
040740	168	1-4			
040741	168	2-4			
040742	168	11-2			
040743	101	1-5			
040745	101	1-4			
040896	147	27-2			
040960	147	13-2			
040966	147	29			
041021	145	67-2			



[www.torresen.com](http://www.torresen.com)

[www.torresen.com](http://www.torresen.com)