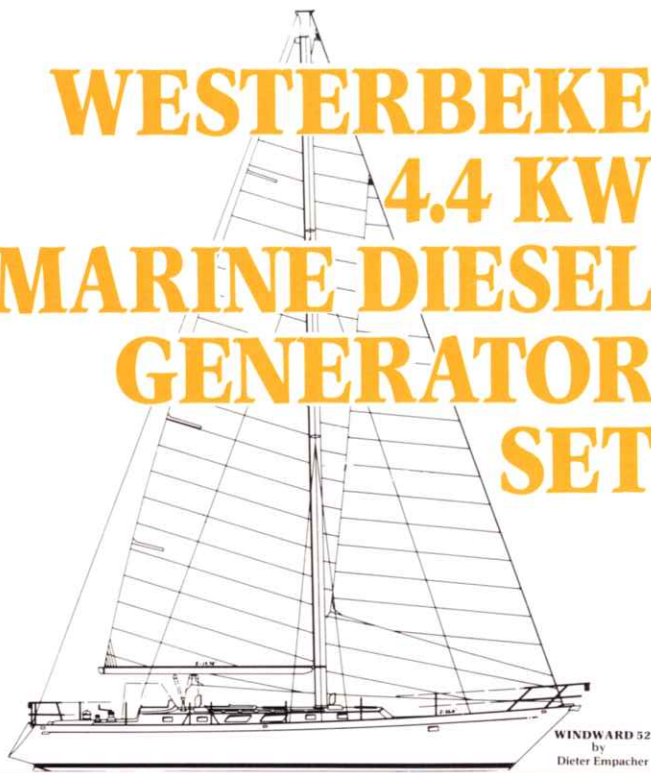


WESTERBEKE 4.4 KW MARINE DIESEL GENERATOR

WESTERBEKE 4.4 KW MARINE DIESEL GENERATOR SET



A small, reliable, smooth running Generator Set for all your shipboard needs; 120 volt electrical power at the turn of a switch for: Electric Cooking, Microwave Oven, Refrigeration, Cabin Appliances, Power Tools, and Navigation/Communication Equipment. Like all Westerbeke Generator Sets, it is fresh water cooled with an Engine mounted Heat Exchanger. The Engine and Generator are connected through special Drive Discs into a compact carefully aligned Generator Set. The complete unit is mounted on lightweight rails through soft flexible Isolator Mounts that prevent the transfer of vibration. A lightweight removable Drip Tray is fitted under the unit between the mounting rails. The Engine is fitted with a Bosch Type Pump and Self Bleeding Fuel System that eliminates hand priming and bleeding. Cast iron cylinder head and block plus swirl type combustion chamber plus tuned air intake silencer produce quiet running unmatched in the industry.

The Westerbeke 4.4 is lightweight, safe, dependable, durable, and economical to operate. Designed to operate at a quiet 1800 RPM, the Westerbeke 4.4 offers 2 cylinder, 4 cycle smoothness to provide complete electric conveniences usually found only on larger boats.

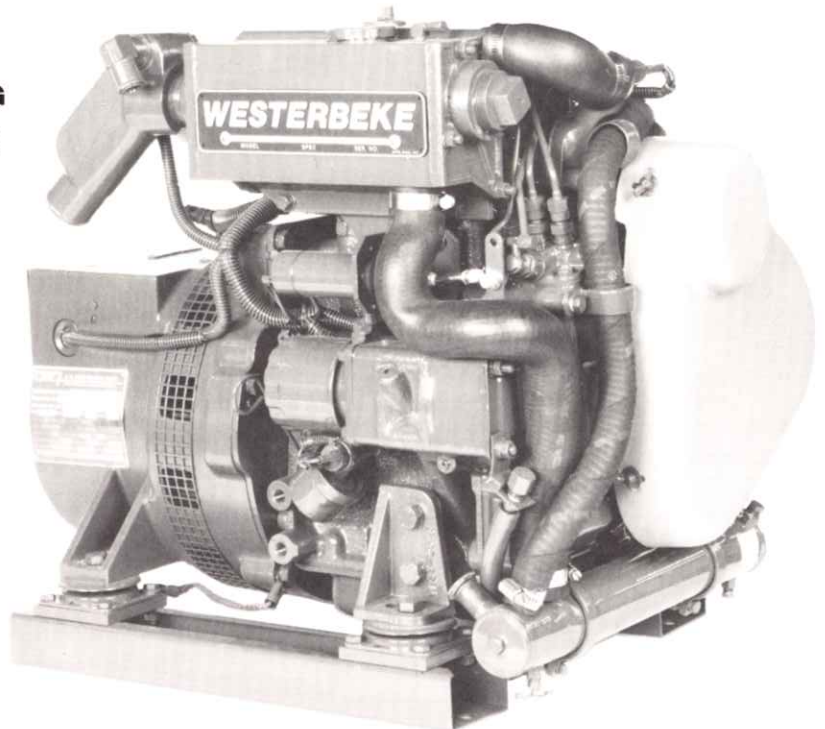
For power or sailboat . . . a new series of compact diesel generator sets from Westerbeke.

The all-new Westerbeke compact brushless BC series diesel generator . . . quietest yet.

- SMOOTH 2 CYLINDER 4 CYCLE PERFORMANCE
- ENCLOSED FRESH WATER COOLING
- AUTOMATIC SAFETY SHUT-DOWNS
- SIMPLE ENGINE AND GENERATOR CONTROLS FOR RELIABILITY

STANDARD EQUIPMENT

- 12 Volt 10 Amp Battery Charging
- Coolant Recovery Tank
- Fresh Water Cooling
- Operators Manual
- Vibration Isolators
- Control Panel
- Water Injected Exhaust Elbow
- Drip Tray
- Belt Guard
- Air Intake Silencer
- 12 Volt Start Motor
- High Water Temp. Low Oil Pressure
- High Exh. Temp. Auto Shutdown
- 45° Water Injected Exhaust Elbow
- Oil Drain Hose



GENERATORS: 3, 4.4, 6, 8, 11, 12.5, 15, 20, 25, 32, 45 kw's

Fresh Water Cooled Diesel and Gasoline Generators from Westerbeke.

WESTERBEKE 4.4 KW MARINE DIESEL GENERATOR

WESTERBEKE 4.4 KW

DESIGN: Brushless, four pole revolving field, self regulating, pre-lubricated single bearing design.

VOLTAGE REGULATION: Standard $\pm 5\%$ no load to full load.

FREQUENCY REGULATION: 3 Hertz (5%) no load to full load. (Generator is capable of operation at either 50 or 60 Hertz by simple adjustments.)

INSULATION: Class "F" as defined by NEMA MG1-22.40.

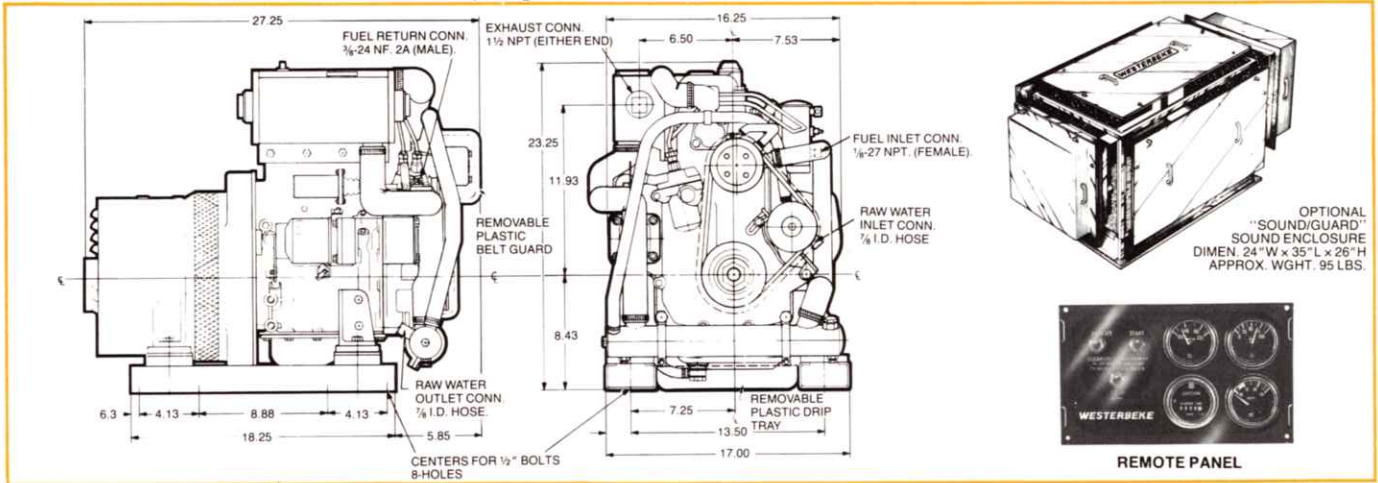
TEMPERATURE RISE: Within NEMA MG1-22.40 definition when operating at full load.

COOLING: Cast centrifugal blower, direct connected.

ELECTROMAGNETIC INTERFERENCE LEVEL: Exceeds requirements for most marine radio-telephone equipment and standard AM televisions.

ELECTRICAL CHARACTERISTICS						RATINGS		DERATINGS		ENGINE	
Model	Volts	Amps	Hertz	Phase	Wire	Power Factor	KW			RPM	Start
4.4-614*	120/240	36/18	60	1	4	1.0	4.4	3.5% each 1000 feet above sea level.		1800	Remote
3.3-514*	220	15	50	1	4	1.0	3.3	1% for each 10° Fahrenheit above 85° Fahrenheit ambient. 10% for continuous duty.		1500	Remote

*Reconnectable to 120 Volts @ twice the amperage.



ENGINE

Engine Type 4 cycle, water cooled, naturally aspirated, vertical overhead valve, diesel engine
 Cylinder arrangement 2 cylinders in line
 Bore & Stroke 2.68" x 3.07" (68mm.x78mm.)
 Displacement 37 cubic inch (.606 litre)
 Compression Ratio 23 to 1
 Cooling water capacity6 Qts.
 Rotation SAE Std. (clockwise facing front end)
 Injectors Pintle type
 Self-Bleeding Fuel System Restarts after loss of fuel supply without manual air bleeding
 Combustion Chamber Swirl type for easy starting and quiet operation
 Total weight 410 lbs
 Governor Mechanical centrifugal type
 Fuel filter Paper element type
 Lubricating device Forced lubrication by trochoid pump
 Lub. oil filter Full flow, spin on, paper element type
 Lub. oil capacity 2.5 Qts.
 Starting motor Geared electric motor, 12 Volt
 Starting aid 12 Volt sheathed type glow plug
 Fuel pump Electric plunger type
 Rated RPM 1800
 Max. HP at rated RPM 8.6 HP
 Full load fuel consumption approx. 0.5 G.P.H.

STANDARD EQUIPMENT

12 volt 10 amp Charging • Coolant recovery tank
 Fresh Water Cooling System • Operators Manual
 Air Intake Silencer • 12 Volt Starting Motor
 Flex Isolator Engine Mounts • Remote Panel
 Water Injected Exhaust Elbow • Drip Tray
 Hi Water-Lo Oil Shutdown
 Hi Exhaust Temp. Shutdown
 On Plant Safety Stop Switch
 15' Panel Extension Harness

OPTIONAL EQUIPMENT

Hydro Hush Silencer, "Sound/Guard", Remote start-stop control, Ship to Shore Rotary Transfer Switch.

Call your Westerbeke representative

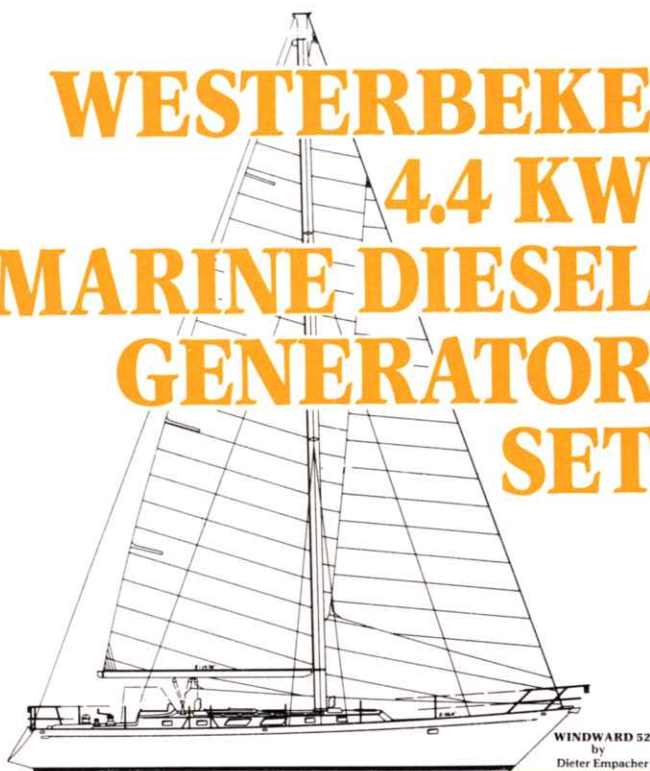
or contact the . . .



WESTERBEKE CORPORATION
 AVON INDUSTRIAL PARK, AVON, MA 02322 • TEL: (617) 588-7700

WESTERBEKE 4.4 KW MARINE DIESEL GENERATOR

WESTERBEKE 4.4 KW MARINE DIESEL GENERATOR SET



A small, reliable, smooth running Generator Set for all your shipboard needs; 120 volt electrical power at the turn of a switch for: Electric Cooking, Microwave Oven, Refrigeration, Cabin Appliances, Power Tools, and Navigation/Communication Equipment. Like all Westerbeke Generator Sets, it is fresh water cooled with an Engine mounted Heat Exchanger. The Engine and Generator are connected through special Drive Discs into a compact carefully aligned Generator Set. The complete unit is mounted on lightweight rails through soft flexible Isolator Mounts that prevent the transfer of vibration. A lightweight removable Drip Tray is fitted under the unit between the mounting rails. The Engine is fitted with a Bosch Type Pump and Self Bleeding Fuel System that eliminates hand priming and bleeding. Cast iron cylinder head and block plus swirl type combustion chamber plus tuned air intake silencer produce quiet running unmatched in the industry.

The Westerbeke 4.4 is lightweight, safe, dependable, durable, and economical to operate. Designed to operate at a quiet 1800 RPM, the Westerbeke 4.4 offers 2 cylinder, 4 cycle smoothness to provide complete electric conveniences usually found only on larger boats.

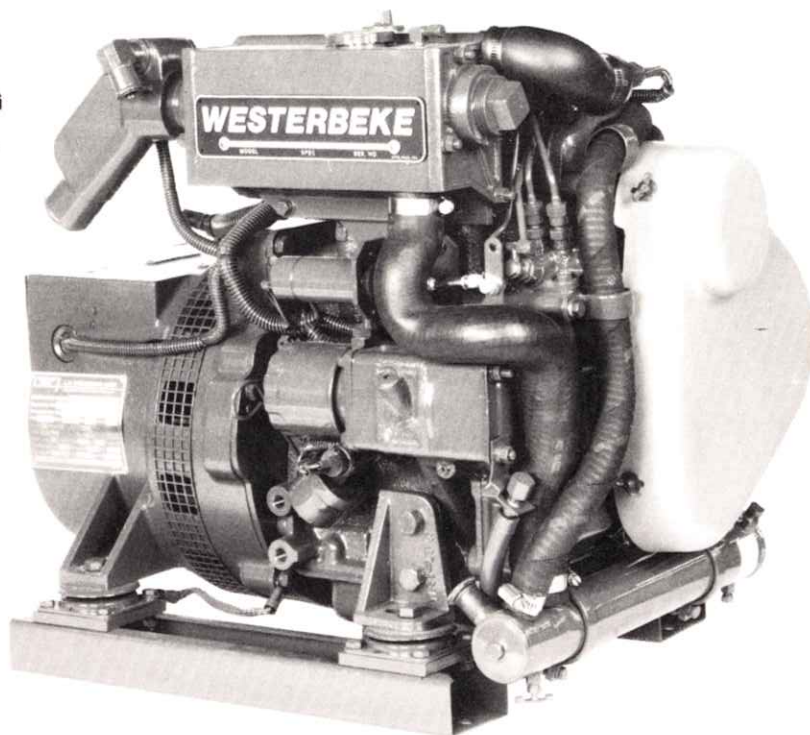
For power or sailboat . . . a new series of compact diesel generator sets from Westerbeke.

The all-new Westerbeke compact brushless BC series diesel generator . . . quietest yet.

- **SMOOTH 2 CYLINDER 4 CYCLE PERFORMANCE**
- **ENCLOSED FRESH WATER COOLING**
- **AUTOMATIC SAFETY SHUT-DOWNS**
- **SIMPLE ENGINE AND GENERATOR CONTROLS FOR RELIABILITY**

STANDARD EQUIPMENT

- 12 Volt 10 Amp Battery Charging
- Coolant Recovery Tank
- Fresh Water Cooling
- Operators Manual
- Vibration Isolators
- Control Panel
- Water Injected Exhaust Elbow
- Drip Tray
- Belt Guard
- Air Intake Silencer
- 12 Volt Start Motor
- High Water Temp. Low Oil Pressure
- High Ex. Temp. Auto Shutdown
- 45° Water Injected Exhaust Elbow
- Oil Drain Hose



GENERATORS: 3, 4.4, 6, 8, 11, 12.5, 15, 20, 25, 32, 45 kw's

Fresh Water Cooled Diesel and Gasoline Generators from Westerbeke.

WESTERBEKE 4.4 KW MARINE DIESEL GENERATOR

WESTERBEKE 4.4 KW

DESIGN: Brushless, four pole revolving field, self regulating, pre-lubricated single bearing design.

VOLTAGE REGULATION: Standard $\pm 5\%$ no load to full load.

FREQUENCY REGULATION: 3 Hertz (5%) no load to full load. (Generator is capable of operation at either 50 or 60 Hertz by simple adjustments.)

INSULATION: Class "F" as defined by NEMA MG1-22.40.

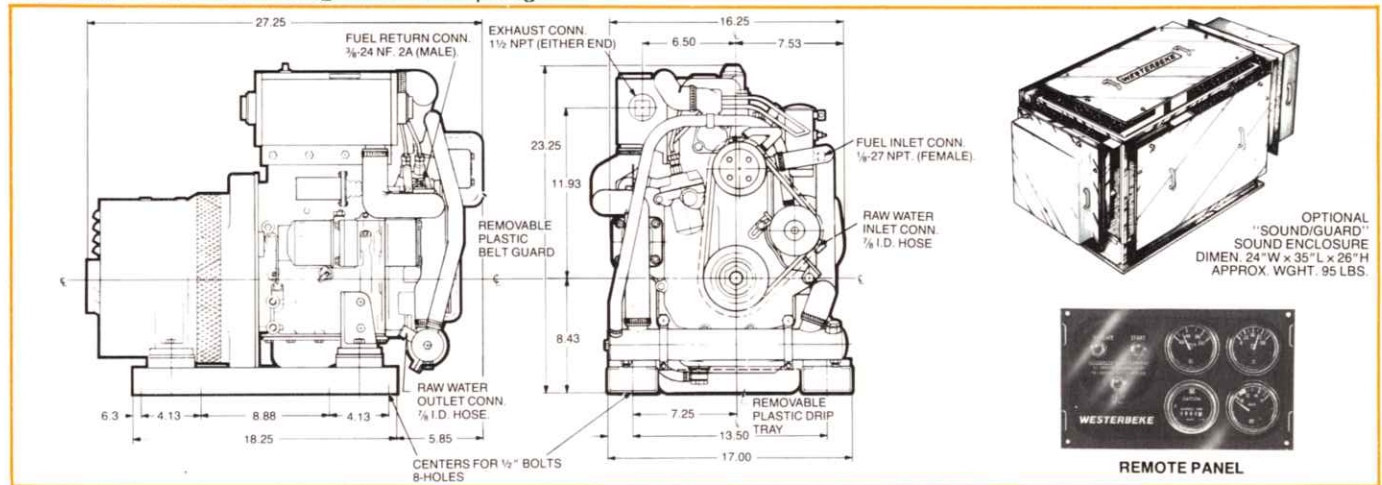
TEMPERATURE RISE: Within NEMA MG1-22.40 definition when operating at full load.

COOLING: Cast centrifugal blower, direct connected.

ELECTROMAGNETIC INTERFERENCE LEVEL: Exceeds requirements for most marine radio-telephone equipment and standard AM televisions.

ELECTRICAL CHARACTERISTICS						RATINGS		DERATINGS		ENGINE	
Model	Volts	Amps	Hertz	Phase	Wire	Power Factor	KW			RPM	Start
4.4-614*	120/240	36/18	60	1	4	1.0	4.4	3.5% each 1000 feet above sea level. 1% for each 10° Fahrenheit above 85° Fahrenheit ambient. 10% for continuous duty.		1800	Remote
3.3-514*	220	15	50	1	4	1.0	3.3			1500	Remote

*Reconnectable to 120 Volts @ twice the amperage.



ENGINE

- Engine Type 4 cycle, water cooled, naturally aspirated, vertical overhead valve, diesel engine
- Cylinder arrangement 2 cylinders in line
- Bore & Stroke 2.68" x 3.07" (68mm.x78mm.)
- Displacement 37 cubic inch (.606 litre)
- Compression Ratio 23 to 1
- Cooling water capacity 6 Qts.
- Rotation SAE Std. (clockwise facing front end)
- Injectors Pintle type
- Self-Bleeding Fuel System Restarts after loss of fuel supply without manual air bleeding
- Combustion Chamber Swirl type for easy starting and quiet operation
- Total weight 410 lbs
- Governor Mechanical centrifugal type
- Fuel filter Paper element type
- Lubricating device Forced lubrication by trochoid pump
- Lub. oil filter Full flow, spin on, paper element type
- Lub. oil capacity 2.5 Qts.
- Starting motor Geared electric motor, 12 Volt
- Starting aid 12 Volt sheathed type glow plug
- Fuel pump Electric plunger type
- Rated RPM 1800
- Max. HP at rated RPM 8.6 HP
- Full load fuel consumption approx. 0.5 G.P.H.

STANDARD EQUIPMENT

- 12 volt 10 amp Charging • Coolant recovery tank
- Fresh Water Cooling System • Operators Manual
- Air Intake Silencer • 12 Volt Starting Motor
- Flex Isolator Engine Mounts • Remote Panel
- Water Injected Exhaust Elbow • Drip Tray
- Hi Water-Lo Oil Shutdown
- Hi Exhaust Temp. Shutdown
- On Plant Safety Stop Switch
- 15' Panel Extension Harness

OPTIONAL EQUIPMENT

- Hydro Hush Silencer, "Sound/Guard", Remote start-stop control, Ship to Shore Rotary Transfer Switch.

Call your Westerbeke representative

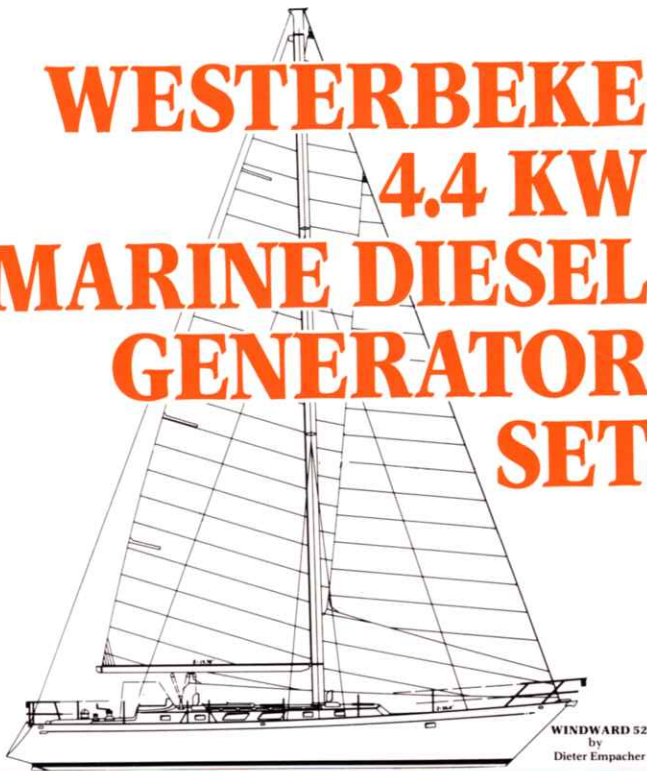
or contact the...



WESTERBEKE CORPORATION
AVON INDUSTRIAL PARK, AVON, MA 02322 • TEL: (617) 588-7700

WESTERBEKE 4.4 KW MARINE DIESEL GENERATOR

WESTERBEKE 4.4 KW MARINE DIESEL GENERATOR SET



A small, reliable, smooth running Generator Set for all your shipboard needs; 120 volt electrical power at the turn of a switch for: Electric Cooking, Microwave Oven, Refrigeration, Cabin Appliances, Power Tools, and Navigation/Communication Equipment. Like all Westerbeke Generator Sets, it is fresh water cooled with an Engine mounted Heat Exchanger. The Engine and Generator are connected through special Drive Discs into a compact carefully aligned Generator Set. The complete unit is mounted on lightweight rails through soft flexible Isolator Mounts that prevent the transfer of vibration. A lightweight removable Drip Tray is fitted under the unit between the mounting rails. The Engine is fitted with a Bosch Type Pump and Self Bleeding Fuel System that eliminates hand priming and bleeding. Cast iron cylinder head and block plus swirl type combustion chamber plus tuned air intake silencer produce quiet running unmatched in the industry.

The Westerbeke 4.4 is lightweight, safe, dependable, durable, and economical to operate. Designed to operate at a quiet 1800 RPM, the Westerbeke 4.4 offers 2 cylinder, 4 cycle smoothness to provide complete electric conveniences usually found only on larger boats.

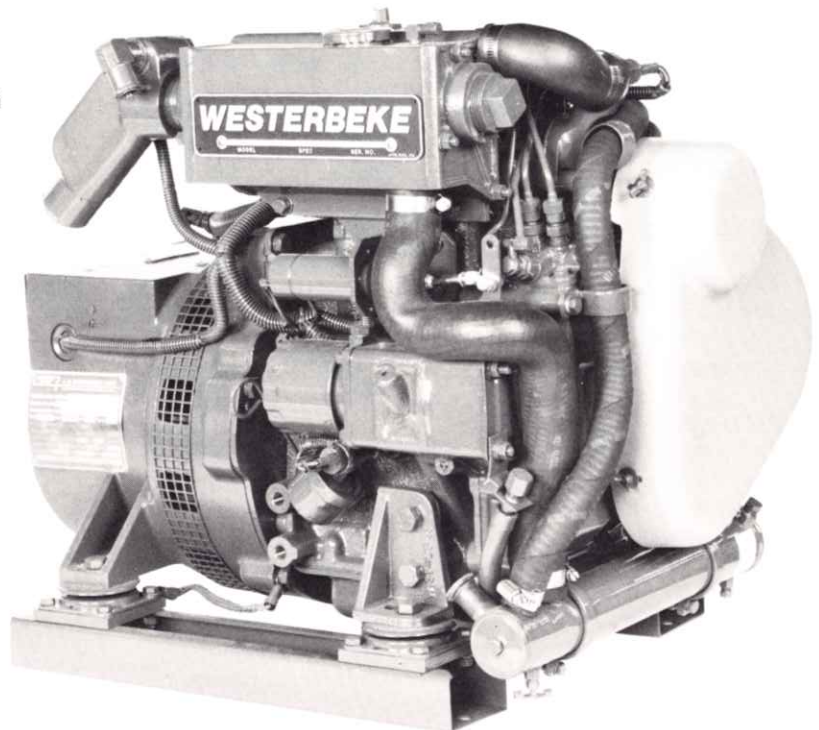
For power or sailboat . . . a new series of compact diesel generator sets from Westerbeke.

The all-new Westerbeke compact brushless BC series diesel generator . . . quietest yet.

- SMOOTH 2 CYLINDER 4 CYCLE PERFORMANCE
- ENCLOSED FRESH WATER COOLING
- AUTOMATIC SAFETY SHUT-DOWNS
- SIMPLE ENGINE AND GENERATOR CONTROLS FOR RELIABILITY

STANDARD EQUIPMENT

12 Volt 10 Amp Battery Charging
Coolant Recovery Tank
Fresh Water Cooling
Operators Manual
Vibration Isolators
Control Panel
Water Injected Exhaust Elbow
Drip Tray
Belt Guard
Air Intake Silencer
12 Volt Start Motor
High Water Temp. Low Oil Pressure
High Exh. Temp. Auto Shutdown
45° Water Injected Exhaust Elbow
Oil Drain Hose



GENERATORS: 3, 4.4, 6, 8, 11, 12.5, 15, 20, 25, 32, 45 kw's

Fresh Water Cooled Diesel and Gasoline Generators from Westerbeke.

WESTERBEKE 4.4 KW MARINE DIESEL GENERATOR

WESTERBEKE 4.4 KW

DESIGN: Brushless, four pole revolving field, self regulating, pre-lubricated single bearing design.

VOLTAGE REGULATION: Standard $\pm 5\%$ no load to full load.

FREQUENCY REGULATION: 3 Hertz (5%) no load to full load. (Generator is capable of operation at either 50 or 60 Hertz by simple adjustments.)

INSULATION: Class "F" as defined by NEMA MG1-22.40.

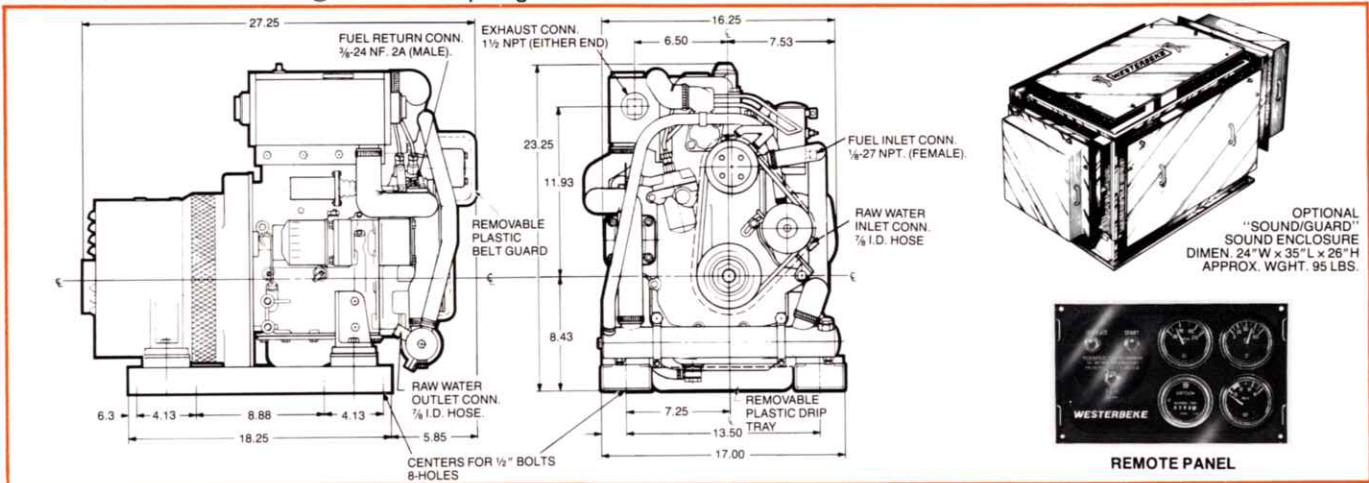
TEMPERATURE RISE: Within NEMA MG1-22.40 definition when operating at full load.

COOLING: Cast centrifugal blower, direct connected.

ELECTROMAGNETIC INTERFERENCE LEVEL: Exceeds requirements for most marine radio-telephone equipment and standard AM televisions.

ELECTRICAL CHARACTERISTICS						RATINGS		DERATINGS		ENGINE	
Model	Volts	Amps	Hertz	Phase	Wire	Power Factor	KW			RPM	Start
4.4-614*	120/240	36/18	60	1	4	1.0	4.4	3.5% each 1000 feet above sea level. 1% for each 10° Fahrenheit above 85° Fahrenheit ambient. 10% for continuous duty.		1800	Remote
3.3-514*	220	15	50	1	4	1.0	3.3			1500	Remote

*Reconnectable to 120 Volts @ twice the amperage.



ENGINE

- Engine Type 4 cycle, water cooled, naturally aspirated, vertical overhead valve, diesel engine
- Cylinder arrangement 2 cylinders in line
- Bore & Stroke 2.68" x 3.07" (68mm.x78mm.)
- Displacement 37 cubic inch (.606 litre)
- Compression Ratio 23 to 1
- Cooling water capacity 6 Qts.
- Rotation SAE Std. (clockwise facing front end)
- Injectors Pintle type
- Self-Bleeding Fuel System Restarts after loss of fuel supply without manual air bleeding
- Combustion Chamber Swirl type for easy starting and quiet operation
- Total weight 410 lbs
- Governor Mechanical centrifugal type
- Fuel filter Paper element type
- Lubricating device Forced lubrication by trochoid pump
- Lub. oil filter Full flow, spin on, paper element type
- Lub. oil capacity 2.5 Qts.
- Starting motor Geared electric motor, 12 Volt
- Starting aid 12 Volt sheathed type glow plug
- Fuel pump Electric plunger type
- Rated RPM 1800
- Max. HP at rated RPM 8.6 HP
- Full load fuel consumption approx. 0.5 G.P.H.

STANDARD EQUIPMENT

- 12 volt 10 amp Charging • Coolant recovery tank
- Fresh Water Cooling System • Operators Manual
- Air Intake Silencer • 12 Volt Starting Motor
- Flex Isolator Engine Mounts • Remote Panel
- Water Injected Exhaust Elbow • Drip Tray
- Hi Water-Lo Oil Shutdown
- Hi Exhaust Temp. Shutdown
- On Plant Safety Stop Switch
- 15' Panel Extension Harness

OPTIONAL EQUIPMENT

- Hydro Hush Silencer, "Sound/Guard", Remote start-stop control, Ship to Shore Rotary Transfer Switch.

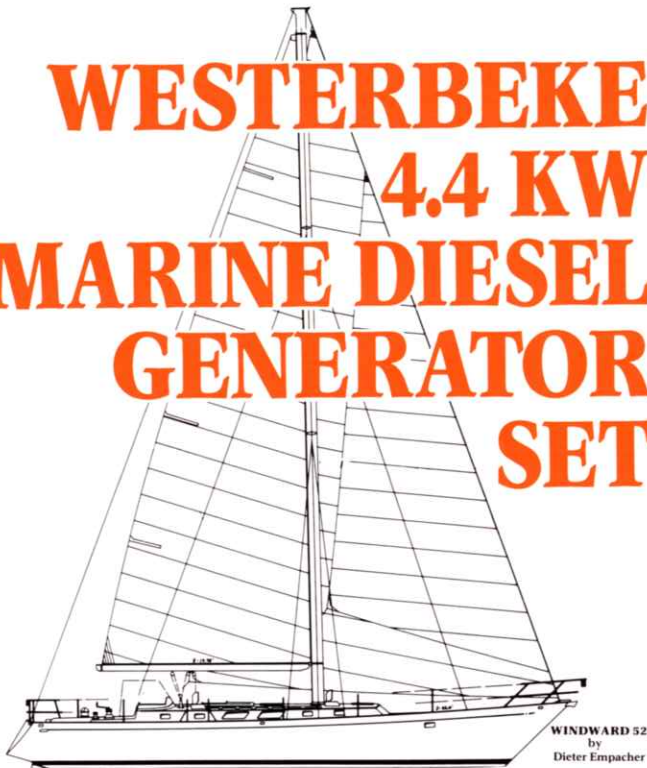
Call your Westerbeke representative

or contact the . . .



WESTERBEKE 4.4 KW MARINE DIESEL GENERATOR

WESTERBEKE 4.4 KW MARINE DIESEL GENERATOR SET



A small, reliable, smooth running Generator Set for all your shipboard needs; 120 volt electrical power at the turn of a switch for: Electric Cooking, Microwave Oven, Refrigeration, Cabin Appliances, Power Tools, and Navigation/Communication Equipment. Like all Westerbeke Generator Sets, it is fresh water cooled with an Engine mounted Heat Exchanger. The Engine and Generator are connected through special Drive Discs into a compact carefully aligned Generator Set. The complete unit is mounted on lightweight rails through soft flexible Isolator Mounts that prevent the transfer of vibration. A lightweight removable Drip Tray is fitted under the unit between the mounting rails. The Engine is fitted with a Bosch Type Pump and Self Bleeding Fuel System that eliminates hand priming and bleeding. Cast iron cylinder head and block plus swirl type combustion chamber plus tuned air intake silencer produce quiet running unmatched in the industry.

The Westerbeke 4.4 is lightweight, safe, dependable, durable, and economical to operate. Designed to operate at a quiet 1800 RPM, the Westerbeke 4.4 offers 2 cylinder, 4 cycle smoothness to provide complete electric conveniences usually found only on larger boats.

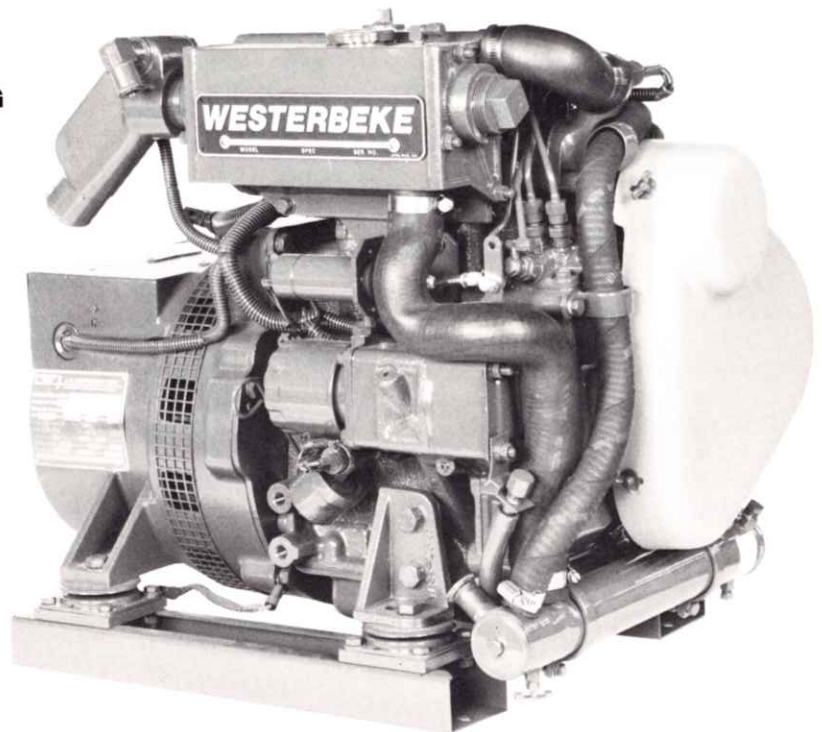
For power or sailboat . . . a new series of compact diesel generator sets from Westerbeke.

The all-new Westerbeke compact brushless BC series diesel generator . . . quietest yet.

- **SMOOTH 2 CYLINDER 4 CYCLE PERFORMANCE**
- **ENCLOSED FRESH WATER COOLING**
- **AUTOMATIC SAFETY SHUT-DOWNS**
- **SIMPLE ENGINE AND GENERATOR CONTROLS FOR RELIABILITY**

STANDARD EQUIPMENT

- 12 Volt 10 Amp Battery Charging
- Coolant Recovery Tank
- Fresh Water Cooling
- Operators Manual
- Vibration Isolators
- Control Panel
- Water Injected Exhaust Elbow
- Drip Tray
- Belt Guard
- Air Intake Silencer
- 12 Volt Start Motor
- High Water Temp. Low Oil Pressure
- High Exh. Temp. Auto Shutdown
- 45° Water Injected Exhaust Elbow
- Oil Drain Hose



GENERATORS: 3, 4.4, 6, 8, 11, 12.5, 15, 20, 25, 32, 45 kw's

Fresh Water Cooled Diesel and Gasoline Generators from Westerbeke.

WESTERBEKE 4.4 KW MARINE DIESEL GENERATOR

WESTERBEKE 4.4 KW

DESIGN: Brushless, four pole revolving field, self regulating, pre-lubricated single bearing design.

VOLTAGE REGULATION: Standard $\pm 5\%$ no load to full load.

FREQUENCY REGULATION: 3 Hertz (5%) no load to full load. (Generator is capable of operation at either 50 or 60 Hertz by simple adjustments.)

INSULATION: Class "F" as defined by NEMA MG1-22.40.

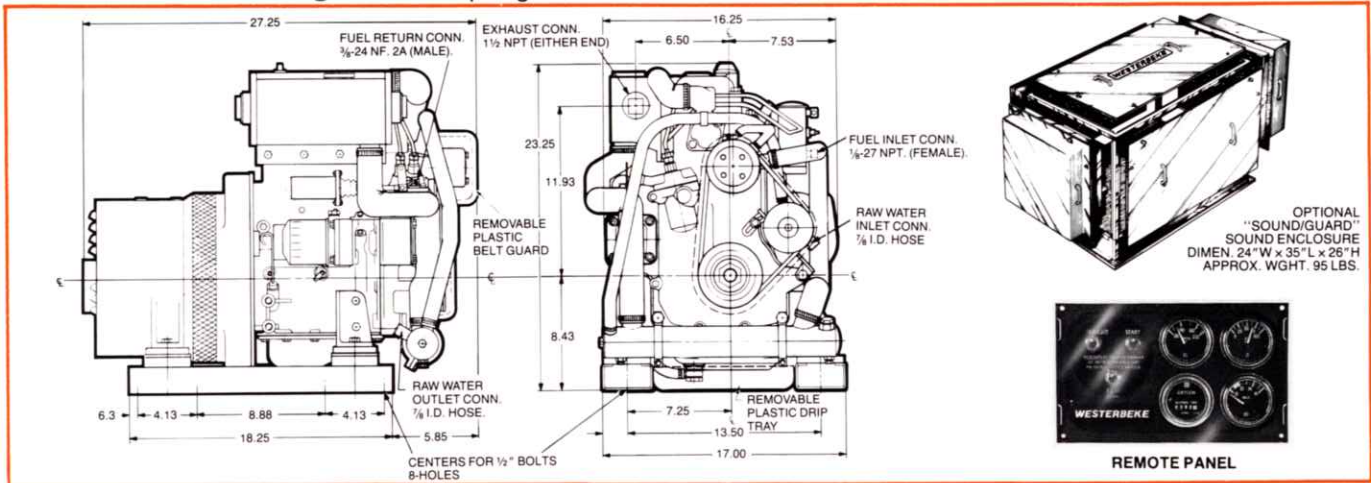
TEMPERATURE RISE: Within NEMA MG1-22.40 definition when operating at full load.

COOLING: Cast centrifugal blower, direct connected.

ELECTROMAGNETIC INTERFERENCE LEVEL: Exceeds requirements for most marine radio-telephone equipment and standard AM televisions.

ELECTRICAL CHARACTERISTICS						RATINGS		DERATINGS	ENGINE	
Model	Volts	Amps	Hertz	Phase	Wire	Power Factor	KW		RPM	Start
4.4-614*	120/240	36/18	60	1	4	1.0	4.4	3.5% each 1000 feet above sea level. 1% for each 10° Fahrenheit above 85° Fahrenheit ambient. 10% for continuous duty.	1800	Remote
3.3-514*	220	15	50	1	4	1.0	3.3		1500	Remote

*Reconnectable to 120 Volts @ twice the amperage.



ENGINE

Engine Type 4 cycle, water cooled, naturally aspirated, vertical overhead valve, diesel engine
 Cylinder arrangement 2 cylinders in line
 Bore & Stroke 2.68" x 3.07" (68mm.x78mm.)
 Displacement 37 cubic inch (.606 litre)
 Compression Ratio 23 to 1
 Cooling water capacity 6 Qts.
 Rotation SAE Std. (clockwise facing front end)
 Injectors Pintle type
 Self-Bleeding Fuel System Restarts after loss of fuel supply without manual air bleeding
 Combustion Chamber Swirl type for easy starting and quiet operation
 Total weight 410 lbs
 Governor Mechanical centrifugal type
 Fuel filter Paper element type
 Lubricating device Forced lubrication by trochoid pump
 Lub. oil filter Full flow, spin on, paper element type
 Lub. oil capacity 2.5 Qts.
 Starting motor Geared electric motor, 12 Volt
 Starting aid 12 Volt sheathed type glow plug
 Fuel pump Electric plunger type
 Rated RPM 1800
 Max. HP at rated RPM 8.6 HP
 Full load fuel consumption approx. 0.5 G.P.H.

STANDARD EQUIPMENT

12 volt 10 amp Charging • Coolant recovery tank
 Fresh Water Cooling System • Operators Manual
 Air Intake Silencer • 12 Volt Starting Motor
 Flex Isolator Engine Mounts • Remote Panel
 Water Injected Exhaust Elbow • Drip Tray
 Hi Water-Lo Oil Shutdown
 Hi Exhaust Temp. Shutdown
 On Plant Safety Stop Switch
 15' Panel Extension Harness

OPTIONAL EQUIPMENT

Hydro Hush Silencer, "Sound/Guard", Remote start-stop control, Ship to Shore Rotary Transfer Switch.

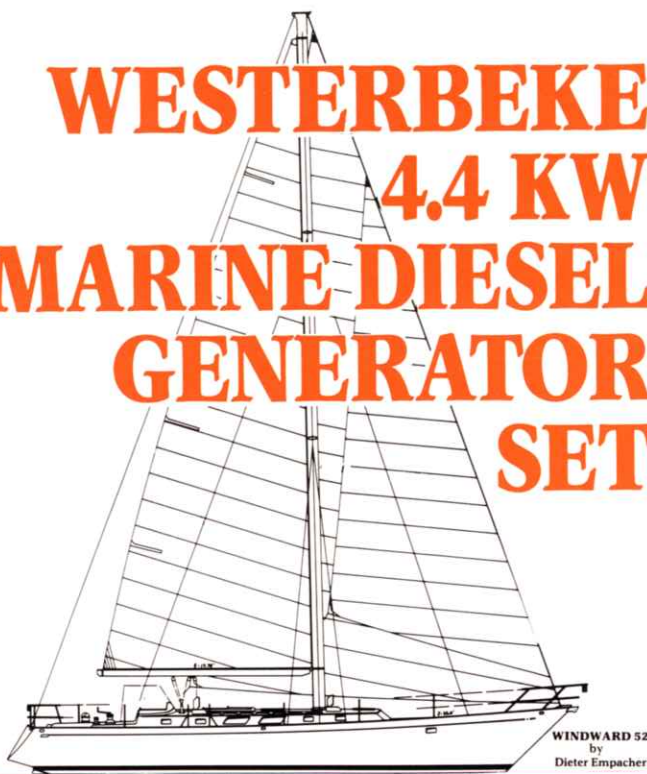
Call your Westerbeke representative

or contact the . . .



WESTERBEKE 4.4 KW MARINE DIESEL GENERATOR

WESTERBEKE 4.4 KW MARINE DIESEL GENERATOR SET



A small, reliable, smooth running Generator Set for all your shipboard needs; 120 volt electrical power at the turn of a switch for: Electric Cooking, Microwave Oven, Refrigeration, Cabin Appliances, Power Tools, and Navigation/Communication Equipment. Like all Westerbeke Generator Sets, it is fresh water cooled with an Engine mounted Heat Exchanger. The Engine and Generator are connected through special "Commonized" Drive Discs and Flywheel Housing into a compact carefully aligned Generator Set. The complete unit is mounted on lightweight rails through soft flexible Isolator Mounts that prevent the transfer of vibration. A lightweight removable Drip Tray is fitted under the unit between the mounting rails. The Engine is fitted with a Bosch Type Pump and Self Bleeding Fuel System that reduces hand priming and bleeding. Cast iron cylinder head and block plus swirl type combustion chamber plus tuned air intake silencer produce quiet running unmatched in the industry.

The Westerbeke 4.4 is lightweight, safe, dependable, durable, and economical to operate. Designed to operate at a quiet 1800 RPM, the Westerbeke 4.4 offers 2 cylinder, 4 cycle smoothness to provide complete electric conveniences usually found only on larger boats.

For power or sailboat . . . a new series of compact diesel generator sets from Westerbeke.

The all-new Westerbeke compact brushless BC series diesel generator . . . quietest yet.

- **SMOOTH 2 CYLINDER 4 CYCLE PERFORMANCE**
- **ENCLOSED FRESH WATER COOLING**
- **AUTOMATIC SAFETY SHUT-DOWN**
- **SIMPLE ENGINE AND GENERATOR CONTROLS FOR RELIABILITY**

STANDARD EQUIPMENT

- 12 Volt 10 Amp Battery Charging
- Coolant Recovery Tank
- Fresh Water Cooling
- Operators Manual
- Vibration Isolators
- Control Panel
- Water Injected Exhaust Elbow
- Drip Tray
- Belt Guard
- Air Intake Silencer
- 12 Volt Start Motor
- High Water Temp. Low Oil Pressure
- High Exh. Temp. Auto Shutdown
- 45° Water Injected Exhaust Elbow
- Oil Drain Hose



GENERATORS: 3, 4.4, 6, 8, 11, 12.5, 15, 20, 25, 32, 45 kw's

Fresh Water Cooled Diesel and Gasoline Generators from Westerbeke.

WESTERBEKE 4.4 KW MARINE DIESEL GENERATOR

WESTERBEKE 4.4 KW

DESIGN: Brushless, four pole revolving field, self regulating, pre-lubricated single bearing design.

VOLTAGE REGULATION: Standard $\pm 5\%$ no load to full load.

FREQUENCY REGULATION: 3 Hertz (5%) no load to full load. (Generator is capable of operation at either 50 or 60 Hertz by simple adjustments.)

INSULATION: Class "F" as defined by NEMA MG1-22.40.

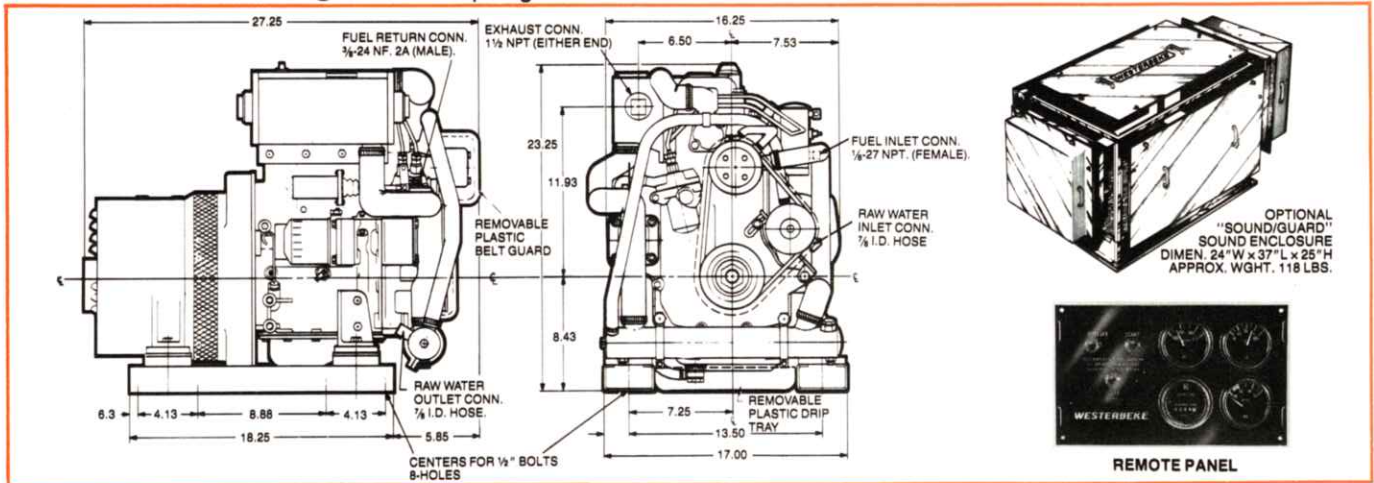
TEMPERATURE RISE: Within NEMA MG1-22.40 definition when operating at full load.

COOLING: Cast centrifugal blower, direct connected.

ELECTROMAGNETIC INTERFERENCE LEVEL: Exceeds requirements for most marine radio-telephone equipment and standard AM televisions.

ELECTRICAL CHARACTERISTICS						RATINGS		DERATINGS		ENGINE	
Model	Volts	Amps	Hertz	Phase	Wire	Power Factor	KW			RPM	Start
4.4-614*	120/240	34	60	1	4	1.0	8	3.5% each 1000 feet above sea level.		1800	Remote
3.3-514*	220	15	50	1	4	1.0	6	1% for each 10° Fahrenheit above 85° Fahrenheit ambient. 10% for continuous duty.		1500	Remote

*Reconnectable to 120 Volts @ twice the amperage.



ENGINE

Engine Type 4 cycle, water cooled, naturally aspirated, vertical overhead valve, diesel engine
 Cylinder arrangement 2 cylinders in line
 Bore & Stroke 2.68" x 3.07" (68mm.x78mm.)
 Displacement 37 cubic inch (.606 litre)
 Compression Ratio 23 to 1
 Cooling water capacity 6 Qts.
 Rotation SAE Std. (clockwise facing front end)
 Injectors Pintle type
 Self-Bleeding Fuel System Restarts after loss of fuel supply without manual air bleeding
 Combustion Chamber Swirl type for easy starting and quiet operation
 Total weight 490 lbs
 Governor Mechanical centrifugal type
 Fuel filter Paper element type
 Lubricating device Forced lubrication by trochoid pump
 Lub. oil filter Full flow, spin on, paper element type
 Lub. oil capacity 2.5 Qts.
 Starting motor Geared electric motor, 12 Volt
 Starting aid 12 Volt sheathed type glow plug
 Fuel pump Electric plunger type
 Rated RPM 1800
 Max. HP at rated RPM 8.6 HP
 Full load fuel consumption approx. 0.5 G.P.H.

STANDARD EQUIPMENT

12 volt 10 amp Charging • Coolant recovery tank
 Fresh Water Cooling System • Operators Manual
 Air Intake Silencer • 12 Volt Starting Motor
 Flex Isolator Engine Mounts • Control Panel
 Water Injected Exhaust Elbow • Drip Tray
 Hi Water-Lo Oil Shutdown
 Hi Exhaust Temp. Shutdown
 On Plant Safety Stop Switch

OPTIONAL EQUIPMENT

Hydro-Hush Silencer, "Sound/Guard", Remote start-stop control, 15 ft. plug-in extension harness for Remote Mounting Control Panel, Control Panel cover plate, Ship to Shore Rotary Transfer Switch.

Call your Westerbeke representative

or contact the . . .

