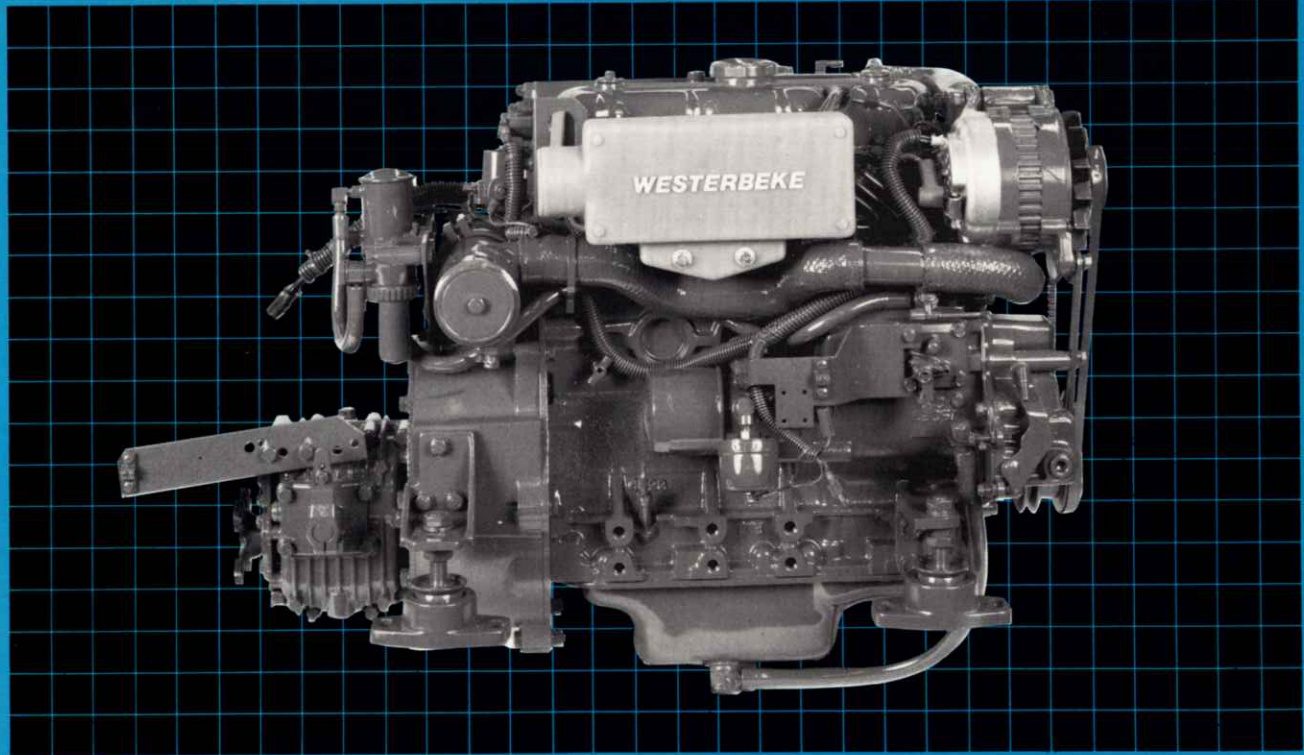


# WESTERBEKE 27a

27a is Phase II  
of our field proven Model 27



Courtesy of Hinterhoeller Yachts

## WESTERBEKE 27a FEATURES

- Maximum ease of installation
- Narrow configuration
- Flywheel housing tapered for tight fits
- Four point adjustable flexible mounts
- Self priming fuel system
- Separate manual shutdown replaces combination throttle/stop
- Front and rear exhaust outlet standard
- Gear driven sea water pump

Your enjoyment and pride of ownership is assured with a Westerbeke 27a in your boat



**ENGINES: 10, 13, 18, 21a, 27a, 33, 46, 52, 58, 70, 80, 100, 120**

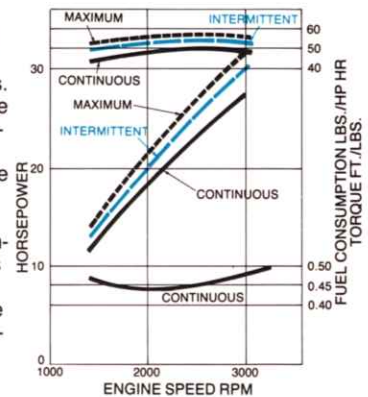
**Fresh Water Cooled Diesels from Westerbeke**

## WESTERBEKE 27a PERFORMANCE CURVES

At Westerbeke we have always maintained a conservative policy in rating our marine engines. We have supported these figures by accurate technical graphs.

We recommend, before purchasing any engine, that you evaluate and compare the various manufacturers' power charts as they relate to horsepower, particularly in the R.P.M.s in which you expect to operate.

The Westerbeke 27a with 80 cubic inch displacement, develops usable horsepower of 20 hp @ 2000 RPM and 30 hp @ 3000 RPM. Remember, displacement and horsepower are proportional!



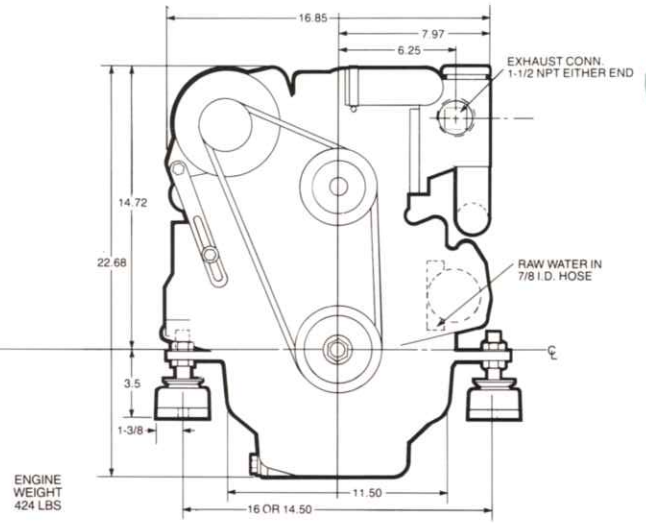
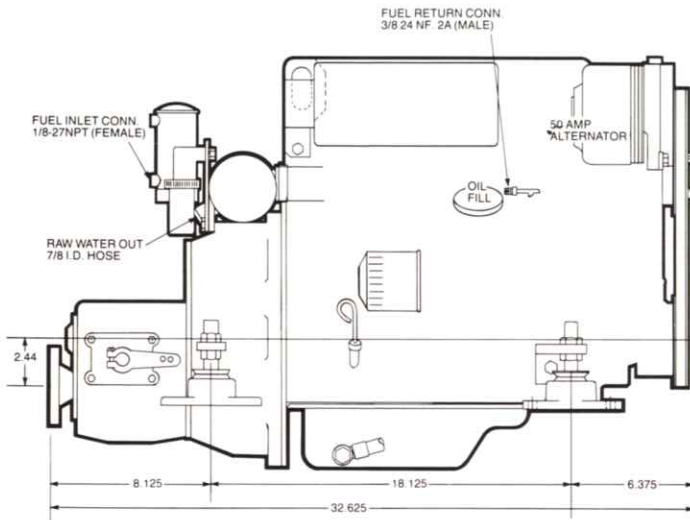
## INSTALLATION COMPARISON CHART

In Inches and Lbs. \*W/Transmission

Engine Model	displ.	*length	height	width	*weight
YANMAR 3 HMF	59 C.I.	31.1	24.1	18.1	368
UNIVERSAL 30	68 C.I.	31.5	24.4	19.9	425
WESTERBEKE 27a	80 C.I.	32.62	22.68	16.85	424

# A small light 4 cylinder 4 cycle marine diesel engine

**WESTERBEKE 27a**



## Specifications

Model Number ..... Westerbeke 27a  
 Engine Type ..... 4 cyl., 4 cycle, water cooled diesel  
 Bore and Stroke ..... 2.87" x 3.07" (73mm x 78mm)  
 Displacement ..... 80 cubic inch (1.3 Litre)  
 Compression Ratio ..... 23 to 1  
 Number of Main Bearings ..... 5  
 Fuel Injection Pump ..... Bosch individual plunger type  
 Injectors ..... Pintle type  
 Combustion Chamber ..... Swirl type for easy starting and quiet operation  
 Starting Motor ..... 12 Volt, geared type  
 Fuel Lift Pump ..... Electric plunger type  
 Dry Weight of Engine (w/Transmission) ..... 424 lbs.

## Standard Equipment

- Short profile 2:1 manual transmission
- Propeller shaft coupling bored to size
- Adjustable flex mounts (14.59 or 16 inch centers)
- Fresh water cooling system
- Coolant recovery tank
- 12 volt 50 ampere alternator
- Glow plug cold starting aid
- Throttle, stop, and shift control brackets
- Engine prewired to single 8 pin connector
- Flow control for domestic hot water connection
- Water injected exhaust elbow
- 15' connector, engine to instrument panel
- Operator's manual
- Deluxe multi-function electric instrument panel  
 Includes hour meter, tachometer, water temperature and oil pressure gauges, battery voltmeter, key switch, preheat and start buttons



## Optional Equipment

- Remote mounting lube filters
- Alternator output splitter
- Sea water intake strainer
- Hydro-Hush B waterlift exhaust silencer

## Performance Data

Maximum Power Output ..... 30 HP/3000 RPM  
 Typical Fuel Consumption Rate ..... 0.63 US gal/HP/hr  
 Typical Fuel Consumption Rate at 2500 RPM  
 When Wheeled to Turn 3000 RPM ..... 1.0 US gal/hr  
 Capacity of Lubricant ..... 4 Qts  
 Capacity of Coolant ..... 8½ Qts

**HYDRO-HUSH B EXHAUST SYSTEM (optional)**

A complete exhaust system can be assembled using the Westerbeke Hydro-Hush B waterlift exhaust silencer with various adapting connectors and couplings, and a supply of 1-7/8" I.D. exhaust hose.

Typical HYDRO-HUSH B installation

Call your Westerbeke representative

or contact the . . .



**J. H. WESTERBEKE CORP.**

AVON INDUSTRIAL PARK, AVON, MA 02322-0181 • (617) 588-7700  
 CABLE: WESTCORP, AVON • TELEX: 92-4444