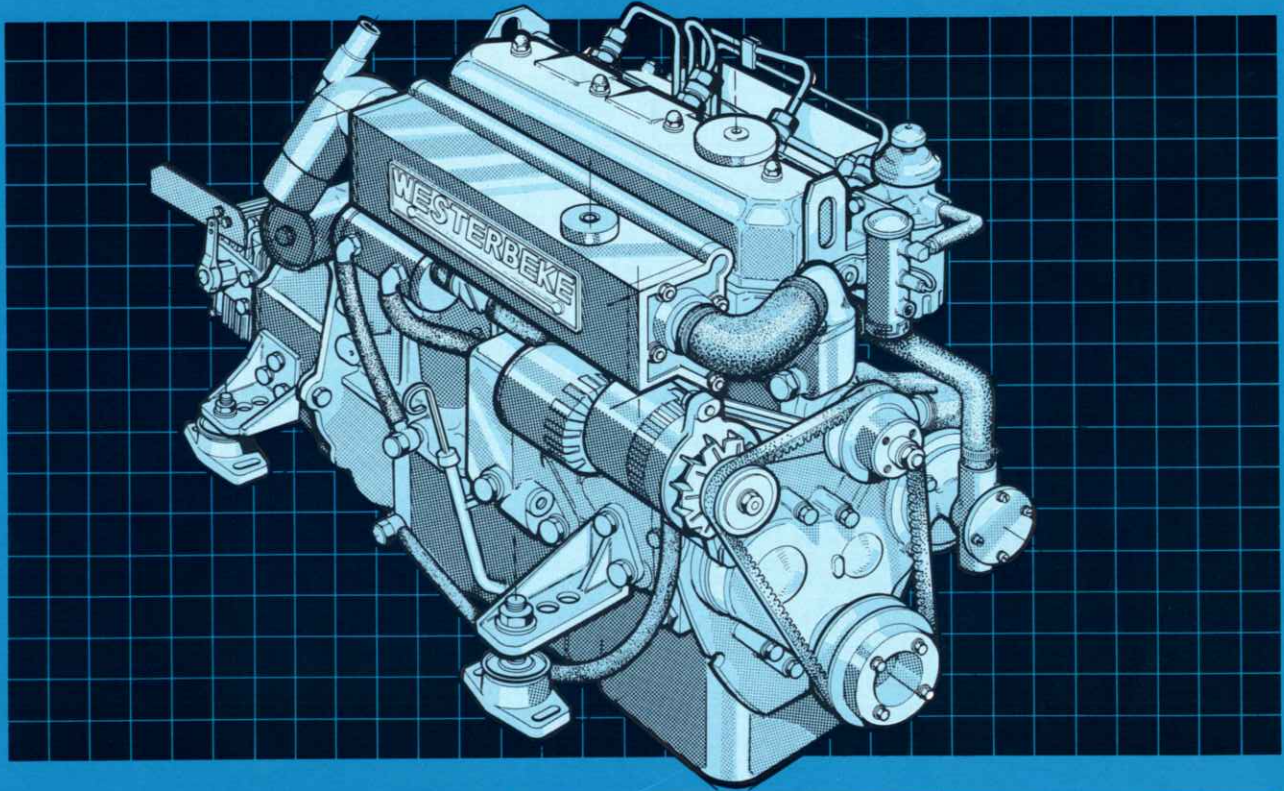


WESTERBEKE

46

a new standard for
the middle market



HORSEPOWER IN PONY SIZE

Our new Westerbeke 46 is narrower, lower and more powerful. Its 127 cubic inch displacement can be installed in place of older, less powerful engines.

This modern compact 46 hp diesel has replaced our standard 40 hp/4-108 engine to become the new mid-size model in our family of marine diesel engines. Designed for smooth, vibration-free running, this four cylinder, 4 cycle engine will provide clean economical performance.

OUTSTANDING FEATURES

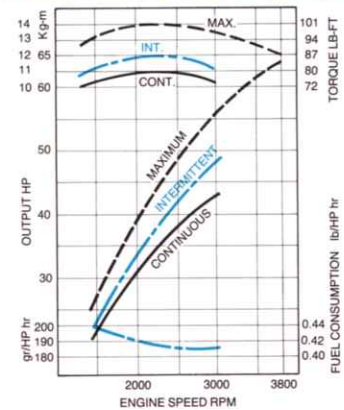
- *Narrow configuration*
- *Self priming fuel system*
- *Adjustable flex mounts — fit optional bed centers*
- *Convenient oil drain system*
- *Oil cooled by fresh water*
- *Unique flow control for domestic hot water*
- *Gear driven raw water pump*

WESTERBEKE 46 PERFORMANCE CURVES

At Westerbeke we have always maintained a conservative policy in rating our marine engines. We have supported these figures by accurate technical graphs.

We recommend, before purchasing any engine, that you evaluate and compare the various manufacturers' power charts as they relate to horsepower, particularly in the R.P.M.s in which you expect to operate.

The Westerbeke 46, with 127 cubic inch displacement, develops useable horsepower of **34 hp @ 2000 RPM** and **46 hp @ 3000 RPM**. Remember, displacement and horsepower are proportional!



INSTALLATION COMPARISON CHART

In Inches and Lbs. *W/Transmission

Engine Model	displ.	*length	height	width	*weight
YANMAR 55	100 C.I.	35.68	25.94	22.09	527
PERKINS 51	107.4 C.I.	35.16	26.33	23.18	484
UNIVERSAL 50	113.5 C.I.	36.00	26.00	21.40	545
WESTERBEKE 46	127 C.I.	36.72	23.99	18.13	535

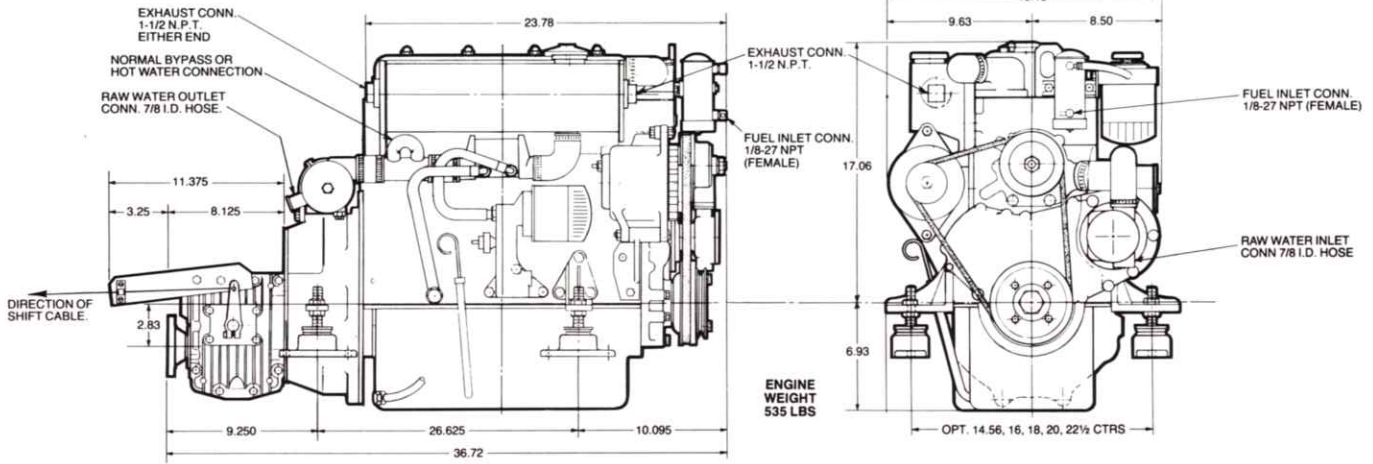


ENGINES: 10, 13, 18, 21, 27, 33, 46, 52, 58, 70, 80, 100, 120

Fresh Water Cooled Diesels from Westerbeke

A compact efficient 4 cylinder four cycle 46 hp marine engine

WESTERBEKE 46

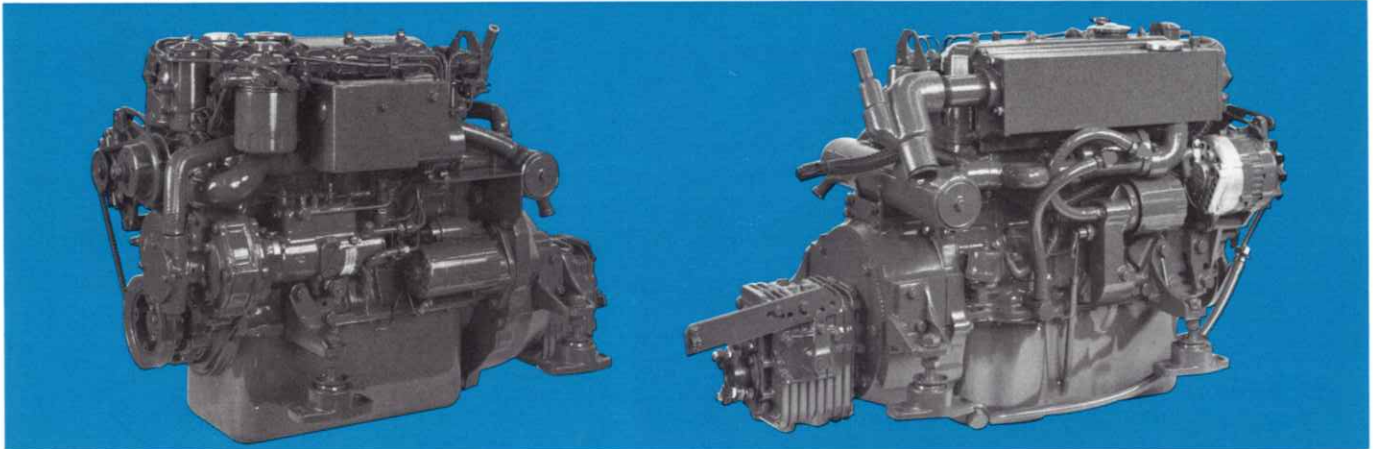


Specifications

Engine Type 4 Cyl., 4 Cycle, OHV Water Cooled Diesel
 Cylinder Bore & Stroke 3.3" x 3.7"
 Displacement 128 C.I. Compression Ratio 21:1
 Combustion Chamber Swirl Type
 Lubrication Forced, Trochoid Pump
 Injection Pump CAV-DPA Type
 Fuel Transfer Pump Both Mechanical and Electric
 Fuel System Self Bleeding Injectors Throttle Type
 Governor Mechanical
 Alternator 50 Ampere, 12 Volt
 Installation Angle, Recommended Maximum 14°

Performance Data

Maximum Torque 101 lbs/ft @ 2250 r.p.m.
 Maximum Rating 64 HP @ 3800 r.p.m.
 Usable Rated Power Output
 34 HP @ 2000 42 HP @ 2500 46 HP @ 3000
 Continuous Rated Power Output
 30 HP @ 2000 37 HP @ 2500 42 HP @ 3000
 Typical Fuel Consumption Rate041 lbs/HP hr.
 Typical Fuel Consumption at 2500 r.p.m.
 when wheeled for 3000 r.p.m. 1.6 G.P.H.
 Capacity of Lubricant 7 qt
 Capacity of Coolant 6 qt



Standard Equipment

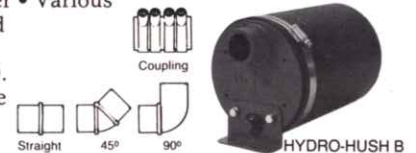
- Engine tested with standard short profile 2:1 transmission
- Adjustable flex isolator engine mounts (see drawing)
- Fresh water cooling system • 12 volt, 50 ampere alternator • Throttle, and shift control brackets
- Glow plug starting aid • Engine pre-wired with single 8 pin connector
- Low oil pressure and high water temperature alarms
- Water injected exhaust elbow
- Lube oil drain hose
- Flow control for maximum production of domestic hot water
- Operator's manual
- Deluxe multi-function electric instrument panel



Our deluxe multi-function electric instrument panel includes hour meter, tachometer, water temperature and oil pressure gauges, battery volt-meter, key switch, preheat and start buttons.

Optional Equipment

- A wide variety of Manual and Hydraulic Transmissions in various Reduction Gears and Vee Drives
- Front Exhaust Outlet for Vee Drives
- Remote Mounting Lube Filters
- Alternator Output Splitter
- Sea Water Intake Strainer
- Hydro-Hush B Waterlift Exhaust Silencer
- Various Adapting Connectors and Couplings from which, given a supply of 1 7/8" I.D. Exhaust Hose, a complete exhaust system can be assembled.



Call your Westerbeke representative

or contact the . . .



J. H. WESTERBEKE CORP.

AVON INDUSTRIAL PARK, AVON, MA 02322 • (617) 588-7700
 CABLE: WESTCORP, AVON • TELEX: 92-4444